



Terrazza Originale Terrazza Sempra Instructions for assembly

Pent roof type A / Gable roof / Head elements / Special shapes

English



Terrazza Sempra



Terrazza Originale

Important notes for retailers/partners and end users

Please read carefully before using!



124559-0000

List of contents

1	Notes on assembly instructions	4
1.1	Validity of these instructions	4
2	Depiction	5
2.1	Warnings	5
2.2	Tips and recommendations	5
2.3	Safety instructions	5
2.4	Fundamental safety instructions	5
2.5	Qualifications	6
2.6	Transportation	6
2.7	Fixing material	6
2.8	Ladders	6
2.9	Anti-fall guards	6
2.10	Crushing and cutting zones	6
2.11	Intended use	7
2.12	Handover	8
2.13	Functional description	8
2.14	Details on adhesives and sealing compound	8
2.15	Note on the generation of noises (creaking) on the system in the event of temperature changes!	9
2.16	Notes on guttering installation	9
2.17	Specifications for drainage of wall bracket	9
2.18	Unevenness and slopes on the on-site connections	10
2.19	Explanation of symbols	11
3	Assembly – Terrazza Originale / Sempre	12
3.1	Notes on fitting wall bracket + wall bracket glazing bead	12
3.2	Affixing posts	16
3.3	Posts set in concrete	25
3.4	Screw foundation system	26
3.5	Affixing the aluminium base with 90 post and 115 post	27
3.6	Affixing the roof support	29
3.6.1	Affixing the roof support to the wall bracket	29
3.6.2	Affixing the side roof support	30
3.6.3	Affixing the roof support cover cap	31
3.6.4	Affixing the roof support	32
3.6.5	Sealing the roof supports to the wall bracket	33
3.7	Affixing the transom + glass butt end	34
3.8	Fitting the roof covering	35
3.8.1	Special considerations when using glass	35
3.8.2	Notes on fitting the roof covering	35
3.8.3	Special considerations when using web plates	37
3.9	Miscellaneous installation notes	38
3.9.1	Fitting the side roof support cover strip	38
3.9.2	Fitting the wall bracket glazing bead	39
3.9.3	Fitting the leaf guard (optional)	40
3.9.4	Fitting below the roof overhang	40
3.10	Affixing posts to a side wall	41
3.11	Fitting onto a side wall	42
3.12	Side wall connection	43
3.13	Wall bracket coupling	44
3.14	Guttering coupling	45
3.15	Side-indented posts	46
3.16	Guttering offset	47
3.17	Affixing the roof support to the wall bracket on wall offsets	48

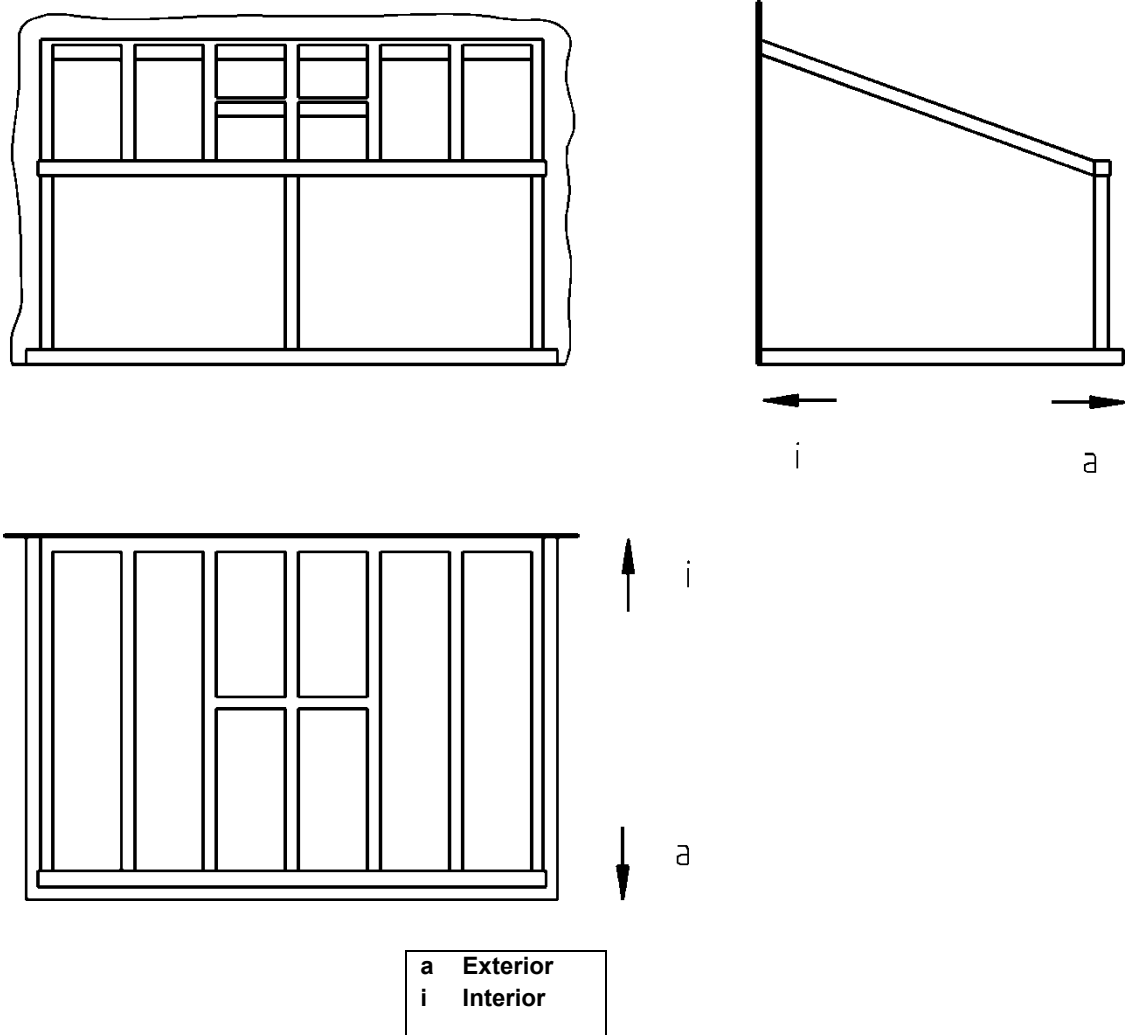
3.18	Screwing the mounting plates to the roof supports.....	49
3.19	Fitting attachment profiles for glazing elements.....	50
3.20	Installation with loose steel 140.....	51
3.21	Installation with loose steel 180.....	52
3.22	Fitting the guttering cover cap.....	53
3.22.1	Fitting the round cover cap with 220 guttering.....	55
4	Terrazza Originale gable roof.....	56
4.1	Fitting the locking bar.....	57
4.2	Gutter-to-wall anchorage.....	58
4.3	Fitting the roof support to the corner connector.....	59
4.4	Fitting the transom to the ridge.....	60
4.5	Fitting the front-mounted guttering wall bracket.....	61
4.6	Fitting the guttering wall bracket.....	62
4.7	Exploded drawing - Options.....	64
5	Installation notes for custom-shaped roofs.....	66
5.1	Terrazza Originale type B / Type B head elements.....	66
5.1.1	Assembling the kinked side roof support.....	67
5.1.2	Fitting the kinked side roof support.....	68
5.1.3	Fitting the 135° post.....	69
5.1.4	Fitting the 135° corner profile.....	71
5.1.5	Fitting the angle bracket shim stop.....	74
5.1.6	Sealing the kinked side roof support to the roof covering.....	75
5.1.7	Fitting and sealing the guttering cover cap.....	76
5.1.8	Sealing, caulking.....	78
5.1.9	Miscellaneous installation notes.....	78
5.2	Terrazza type N / Type N head element.....	79
5.2.1	Fitting the wall bracket support angle.....	80
5.2.2	Fitting the gutter corner to a 90° post.....	82
5.2.3	Fitting the guttering corner and two 180° posts in the corner.....	83
5.2.4	Fitting the roof support to the ridge.....	84
5.2.5	Fitting the 110 roof supports (small roof supports) to the roof ridge supports.....	88
5.2.6	Fitting the stops for the roof covering on the roof ridge supports.....	89
5.2.7	Fitting the glazing beads.....	90
5.2.8	Sealing, caulking.....	91
5.2.9	Miscellaneous installation notes.....	92
5.3	Terrazza Originale / Terrazza Sempre with angled and partially angled wall bracket.....	93
5.3.1	Fitting the angled and/or partially angled wall bracket.....	93
5.3.2	Fitting the glazing bead wall bracket.....	96
5.3.3	Fitting roof supports to an angled wall bracket.....	98
5.3.4	Laying the roof covering.....	99
5.3.5	Sealing, caulking.....	99
5.3.6	Miscellaneous installation notes.....	99
5.4	Terrazza Originale with angled or partially angled guttering.....	100
5.4.1	Fitting angled and/or partially angled guttering.....	101
5.4.2	Fitting the post.....	102
5.4.3	Fitting the roof supports to an angled gutter.....	106
5.4.4	Fitting the stops for the roof covering.....	108
5.4.5	Sealing, caulking.....	109
5.4.6	Miscellaneous installation notes.....	109
6	Engineering/production-related features.....	110
7	Disposal.....	111

1 Notes on assembly instructions

These instructions are geared towards trained technicians and require knowledge of installation techniques. Terrazza roofs may only be installed by specially qualified personnel with corresponding installation experience.

Unless otherwise stated, these assembly instructions always presume that the Terrazza is shown from the following angle:

Figure: View template





1.1 Validity of these instructions

The weinor roof has been approved for export and Germany.


2 Depiction

2.1 Warnings

The warnings differentiate between personal injury and damage to property. The signal word "Danger" is used for personal injury, and "Caution" for property damage.

 DANGER	Immediate danger to life and limb!
 PLEASE NOTE	Immediate danger to the product and environment!


2.2 Tips and recommendations


	Highlights useful tips and information that enable fast and correct installation.
---	---

2.3 Safety instructions

- The assembly instructions and operating manual must be read and observed.
- Observe the corresponding accident prevention regulations.
- Ensure when installing the awning that all existing electrical connections are disconnected.
- Cordon off a large space around the installation site.
- Check that all scaffolding and building facilities are duly safe and secure.
- Observe the stipulations relating to dowels and fixings.
- Only work with fully intact and appropriate tools.
- Keep plastic sheeting, packaging material and small parts away from children – risk of suffocation!
- For personal safety, it is important that these instructions are complied with.
- Non-compliance means the manufacturer does not carry any liability.
- The customer must retain all instructions, and if the product is sold, they must be given to the new owner.

2.4 Fundamental safety instructions

 DANGER
Personal injury Risk of personal injury due to improper use of the Terrazza. Please read and observe the safety instructions contained in this section.

 PLEASE NOTE
Product and property damage Risk of damage to the product and property due to improper use of the Terrazza. Please read and observe the safety instructions contained in this section.

2.5 Qualifications

The instructions for assembly are aimed at qualified technicians who have knowledge of and are experienced in the following areas:

- Safety at work, operating safety and accident prevention regulations
- Use of ladders and scaffolding
- Handling and transporting long, heavy components
- Handling and transporting glass panes
- Handling tools and machines
- Fitting the fixing materials
- Estimation of the building structure
- Start-up and operation of the product

If one of these qualifications is lacking, a qualified installation firm must be brought in.

2.6 Transportation

The maximum permissible axle loads and gross vehicle weight of the goods vehicles must not be exceeded. Loading a vehicle can alter its handling characteristics. The transported goods must be mounted properly and securely. The packaging of the weinor roof must be protected from moisture. Softened packaging can come loose and cause accidents. Packaging which has been opened for incoming goods inspections must be sealed again properly for further transport. When unloaded, the weinor roof must be carried to the place of installation the right way round so it does not have to be turned round again in a confined space. The instructions on the packaging about which way up the product should be placed must be noted.

2.7 Fixing material

Responsibility for the installation work that is being carried out on-site must always rest with the foreman; it is not possible to issue uniformly applicable instructions due to the differing structural conditions and building regulations that apply at every site. Above all, this implies that all bolts and screws required to affix the weinor roof to the on-site connections (back and side of house wall, concrete base, etc.) must be suitable for the on-site building conditions and the statics requirements.

2.8 Ladders

Do not lean ladders against an unfinished weinor roof. Ladders must be on a firm base and provide adequate support. Only use ladders with adequate load-bearing capacity.

2.9 Anti-fall guards

Workers run the risk of falling when working at elevated heights. Suitable fall protection equipment must be used.

2.10 Crushing and cutting zones

Beware of crushing and cutting zones when installing the roof, e.g. when laying the roof covering, as there is a risk of serious injury.

2.11 Intended use

Alterations such as attaching items or conversions not envisaged by weinor may only be carried out with weinor's written consent.

- The type-specific structural standards can also be consulted in order to fit the weinor roof.
- For a standard snow load of 750N/m², the post must not be any longer than 2.4 m. This means that the maximum distance from the top of the finished floor to the bottom of the guttering must not exceed 2.4 m.
- All supplied profiles and parts (especially posts, roof supports, guttering, transoms, etc.) must be fitted to the roof in accordance with the specifications and must not be omitted.
- Important! Please remember that certain areas require the use of laminated sheet glass (LSG). For reasons of structural safety, it is vital that the roof covering is fitted to the roof. The roof structure must therefore never be left to stand alone without the roof covering.
- Once the roof has been installed, an additional antifrost hole must be cut through all posts that are to be fitted with drainage. This means that, once the roof is fitted 10 mm to 40 mm above the top edge of the finished floor, a Ø10 mm hole must be drilled into the front of the post.
- Guttering heating can be fitted to help keep the drains from freezing up.
- Glue on all the screw head caps to prevent them from falling off.



	Note: Please also follow all valid DIN standards. Compliance with any new DIN or EN standards coming into force is also required.
---	--

Table: DIN standard

Sealing and gluing jobs must be carried out in accordance with the following DIN standards:	DIN standard
Energy saving ordinance (Energieeinsparverordnung)	EnEV
Wind-tight connections	DIN 4108
Sound insulation	DIN 4109
Moisture protection	DIN 4108
Fire protection	DIN 4102
Jointing and caulking	DIN 4108 Part 3 Issue: 1981
Application and quality of sealants	DIN 1850
Impervious to driving rain	DIN 18055 Issue: 1981
Roofing and roof waterproofing	DIN 18303
Sealing of joints in external walls using building sealants	DIN 18540
Lightning protection	VDE 0185

	Should national regulations, e.g. building codes of the individual German federal states (Landesbauverordnung (LBO)), require that special regulations or guidelines be followed or lightning protection measures be carried out, these must be put in place. Even if these regulations and guidelines do not require a lightning protection system, we nevertheless recommend that you install one that meets the relevant national standards.
---	---

2.12 Handover

All operating manuals as well as the manufacturer's assembly and adjustment instructions for motors, switches and controls must be handed to the user who must be instructed in the operation of the unit. Detailed instruction on the safe and proper operation of the weinor roof must be given. If this is not adhered to and the product is operated incorrectly, the weinor roof may become damaged or accidents could result.

The instructions must be kept by the customer and passed on to the new owner if ownership of the weinor roof passes to a third party.

2.13 Functional description

Only high-quality corrosion resistant or anti-corrosion materials are used in weinor roofs. The profiles are made of extruded aluminium. All connecting parts, such as screws, are made of stainless steel. All outside aluminium parts are powder coated.

2.14 Details on adhesives and sealing compound

Recommendation for selecting adhesive and sealant:

- „Take Seal“ from Fix-Tec for sealing
- „Klebfix“ from Würth for gluing the rubber seals

Alternative jointing compounds:

- Please follow the manufacturer's guidelines
- Check on-site whether these are suitable

Sealing the on-site connections:

- Choose adhesives and sealants in accordance with the on-site structural conditions
- Please follow the manufacturer's guidelines


Preparations before applying the adhesive and sealant:

- Clean and prime all parts and surfaces before gluing.
- The areas to be glued must be clean, free of grease and dry.
- If textured paint has been used, sand down the areas to be glued then clean and prime.
- The gluing/sealing work should only be performed at reasonable temperatures (always follow the manufacturer's guidelines for adhesives and sealants).

Failure to follow these recommendations may result in:

- Leaks in the on-site connections
- A loss in adhesion on certain parts

2.15 Note on the generation of noises (creaking) on the system in the event of temperature changes!

	<p>Noises which occur on the system after proper assembly and/or maintenance are unavoidable and are mostly due to the expansion of components due to the effect of heat.</p> <ul style="list-style-type: none">• Ensure stress-free assembly when screwing the individual components together in order to minimise subsequent noise generation, particularly in the event of temperature influences!
---	---

2.16 Notes on guttering installation

When installing the guttering, please take the following into account:

To prevent the guttering turning away from the glazing elements during its installation or to minimise this effect when laying the roof covering, please install in the following order:

1. Fit the Terrazza
2. Fit the side trapeziums
3. Lay the roof covering
4. Fit the glazing elements

If the guttering is being installed without weinor posts, e.g. on a wall, steps must be taken on-site to prevent the guttering from turning out of position.

The guttering must always be handled from below in the region of the post fixation.

The guttering should not be supported at the cover cap of the guttering or from above in the region of the cover cap, as otherwise the seal could be damaged, leading to leakiness.

2.17 Specifications for drainage of wall bracket

- In the event that the shape of the roof could result in water entering the roof's interior via the wall bracket, the wall bracket components must be sealed on-site to eliminate any chance of water of penetrating here!
- This applies to all wall brackets where water cannot be led off to the roof's exterior.
 - For the middle wall bracket on balcony cutouts.
 - For all wall brackets restricted by two walls at the sides.
 - For all wall brackets restricted by a wall and where water cannot be led off to the other side.

2.18 Unevenness and slopes on the on-site connections

Any unevenness and slopes on the on-site circuit points must be levelled out on-site.

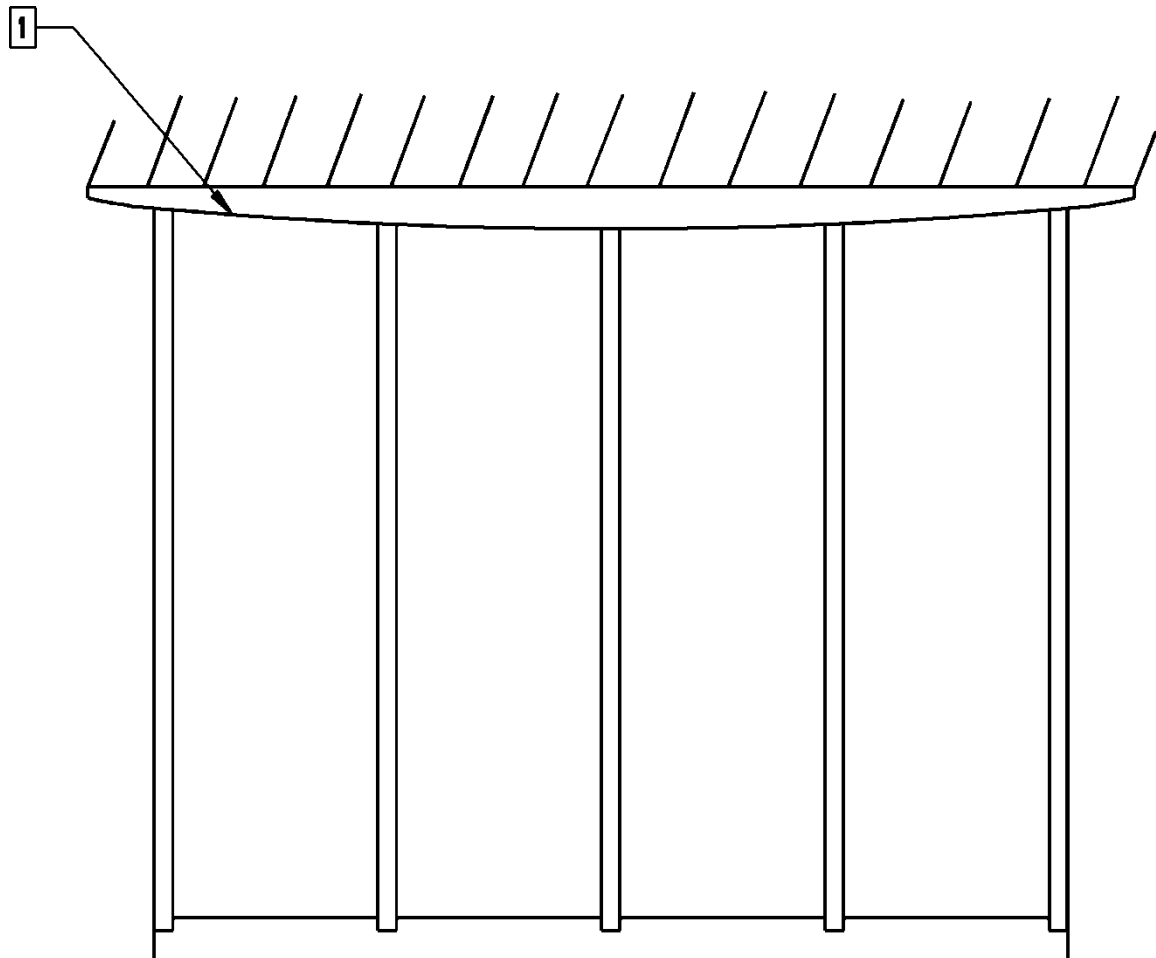
This is necessary

- To ensure the Terrazza is installed correctly.

Possible resources / installation materials for levelling out unevenness:

- Support blocks
- Frame wideners

Figure: View of uneven wall from above




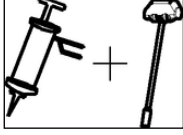
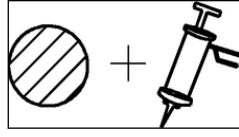

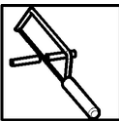
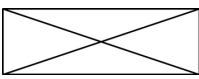


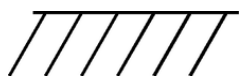
1 View from above of uneven wall

2.19 Explanation of symbols

In the illustrations shown below on how to install your weinor roof, symbols are used for some installation steps.

Please consult the table below for details of what each symbol stands for:

Table: Explanation of symbols

Symbol	Explanation	Remarks
	Seal using appropriate sealant	See Notes on adhesives and sealants; order on site or as optional extras
	Seal and firmly tighten all nuts / screws	on-site
	Seal using filler cord and a suitable jointing compound	on-site
	Firmly tighten nuts / screws	on-site
	Saw component to required length	on-site
	Secure roof covering using glazing packers	on-site
	Use of pre-compressed sealing tape	on-site
	Water drain	
	Floor or wall	

3 Assembly – Terrazza Originale / Sempre

3.1 Notes on fitting wall bracket + wall bracket glazing bead

There are two places where the wall bracket glazing bead can be fitted: "top and bottom". Exactly where the wall bracket glazing bead should go depends on the thickness of the roof covering and the roof pitch. Based on the place of installation, different wedge seals will be used. The locations of both the wall bracket glazing bead and the rubber that is to be inserted are indicated on the delivery note supplied.

If a sliding skylight is fitted to the wall bracket, the wall bracket glazing bead must be installed and affixed first, followed by the sliding skylight.

Figure: Attachment bar

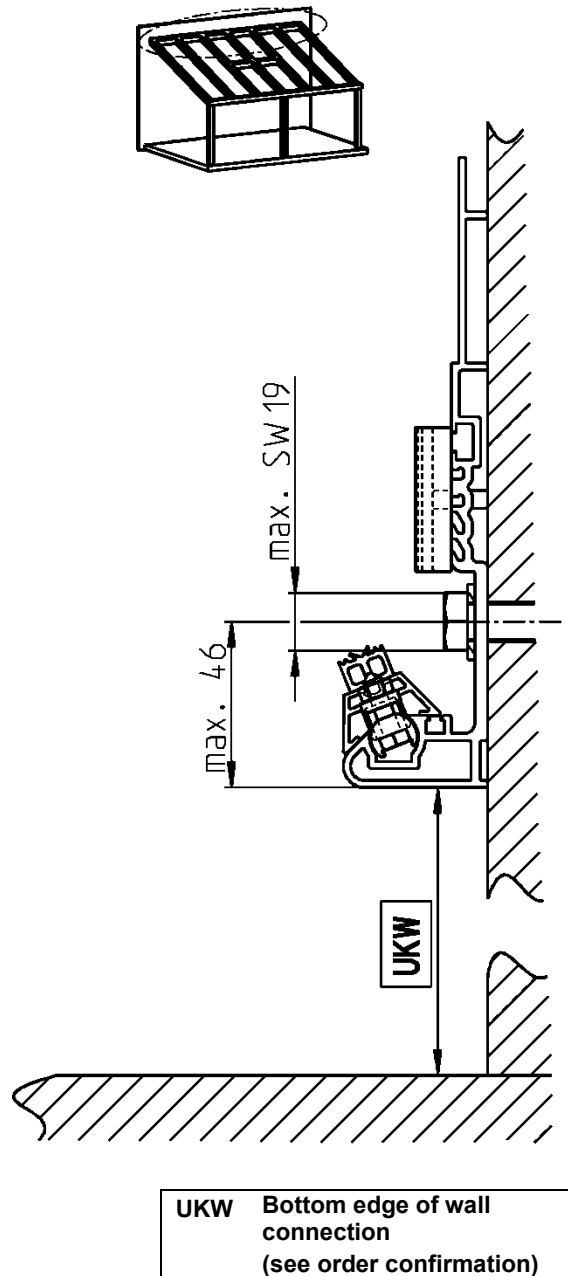
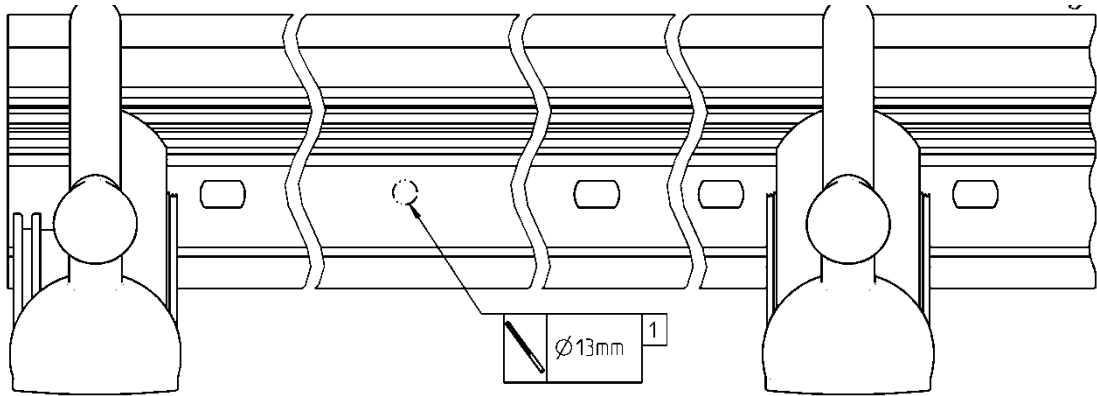


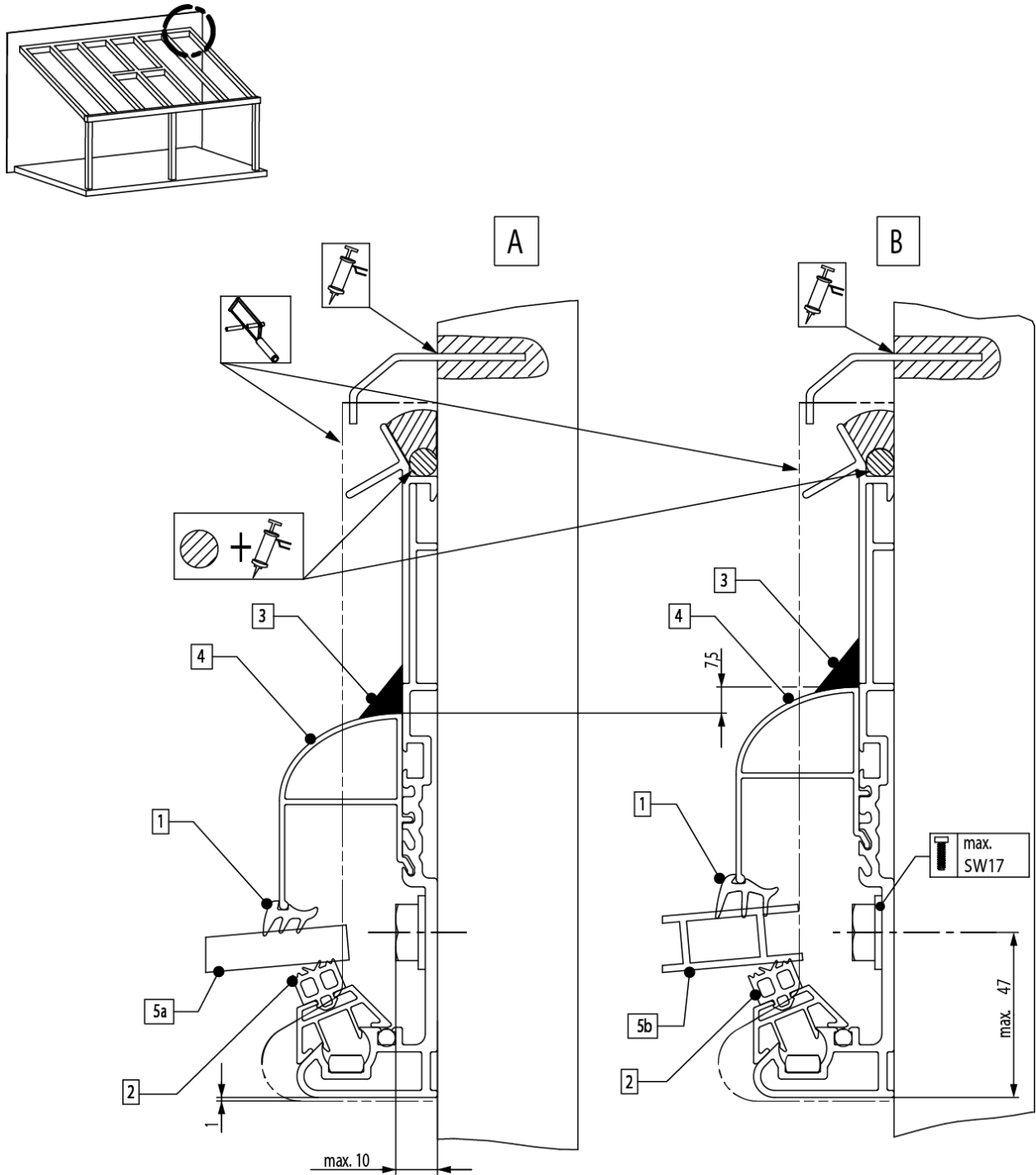
Figure: Wall bracket screw connection using example of Terrazza Originale



1 Do not drill or affix in the area where the roof support will be connected

Choose the quantity and type of fixing materials required on-site based on the building conditions and structural safety. This will require drilling additional anchorage holes into the wall bracket on-site.

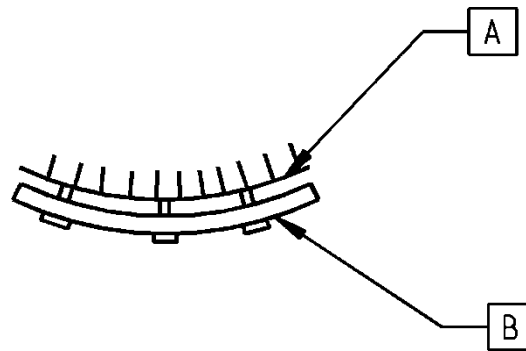
Figure: Wall bracket glazing bead using example of Terrazza Originale



<p>A Wall bracket glazing bead position 1 = bottom</p> <p>B Wall bracket glazing bead position 2 = top</p> <p>1 Wedge seal</p> <p>2 Glazing rubber</p> <p>3 The sealing for the wall connection glazing bead must be pulled from roof support to roof support.</p> <p>4 Wall bracket glazing bead</p> <p>5a Glass</p> <p>5b 16 mm web plate</p>	<p>For roofs with side walls on both sides and in case of possible pressure differences, it is necessary to draw a sealing seam from roof bracket to roof bracket over each glazing bead wall connection. Sealing is recommended for side walls.</p>
---	--

*Assess the structural conditions on site and use a suitable sealant!

Figure: Wall bracket



A Uneven facade
B Wall bracket



Installation tip for uneven facades: on uneven walls, secure the wall bracket in its intended place; do not tighten the fixing screws; insert the wall bracket glazing bead and affix using e.g. adhesive tape. Now tighten the fixing screws on the wall bracket.

3.2 Affixing posts

- In order to avoid the 90 posts being damaged by frost in winter, an Ø10 mm drain hole must be drilled into the posts on site.
- This hole is drilled into the front of the 90 posts at around 10 mm to 40 mm above the bottom edge of the finished floor.
- The antifrost hole must remain unobstructed, i.e. it must not be concealed by the post plate cover cap.

Figure: Determining the length of posts only with Terrazza Originale

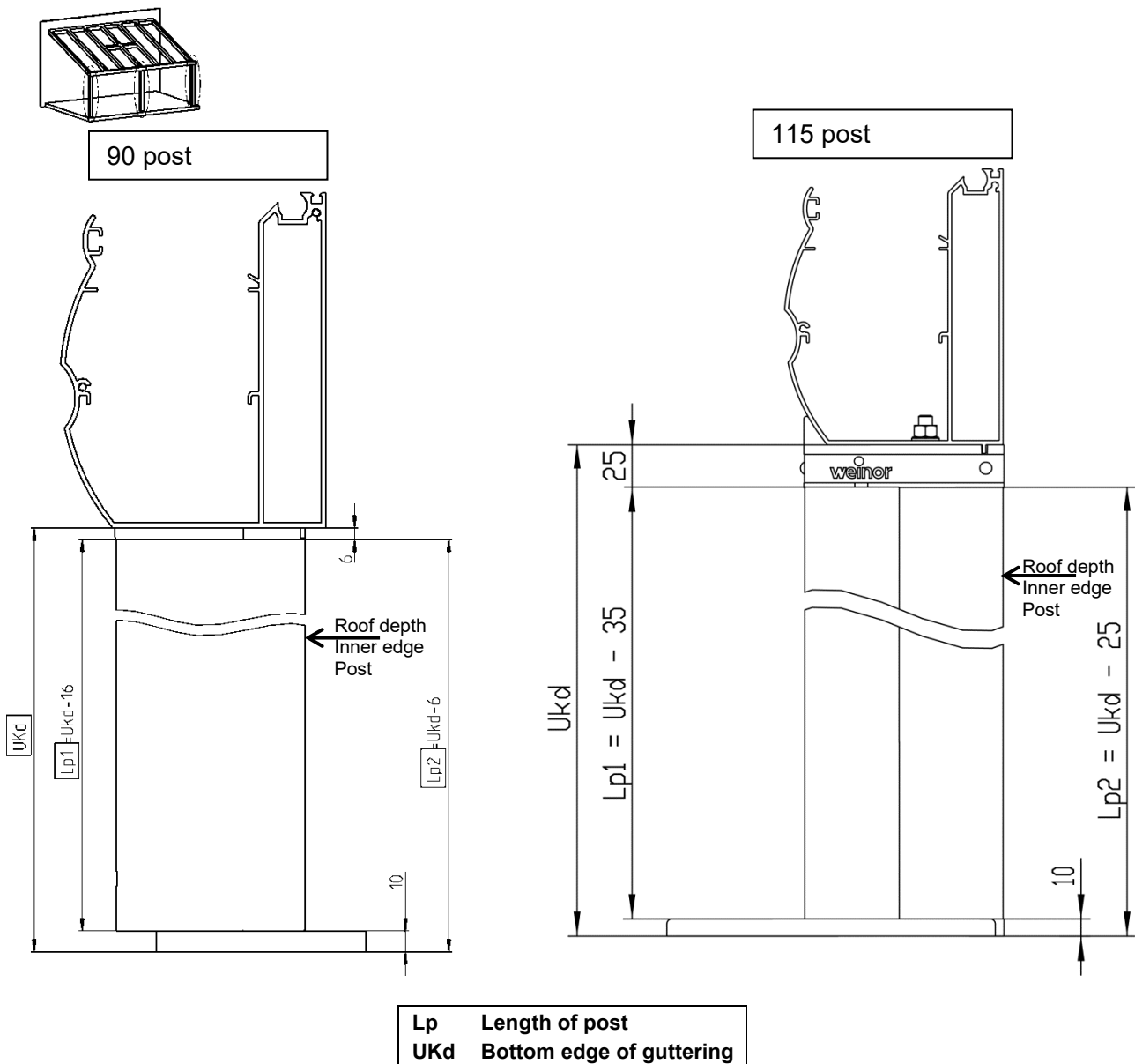
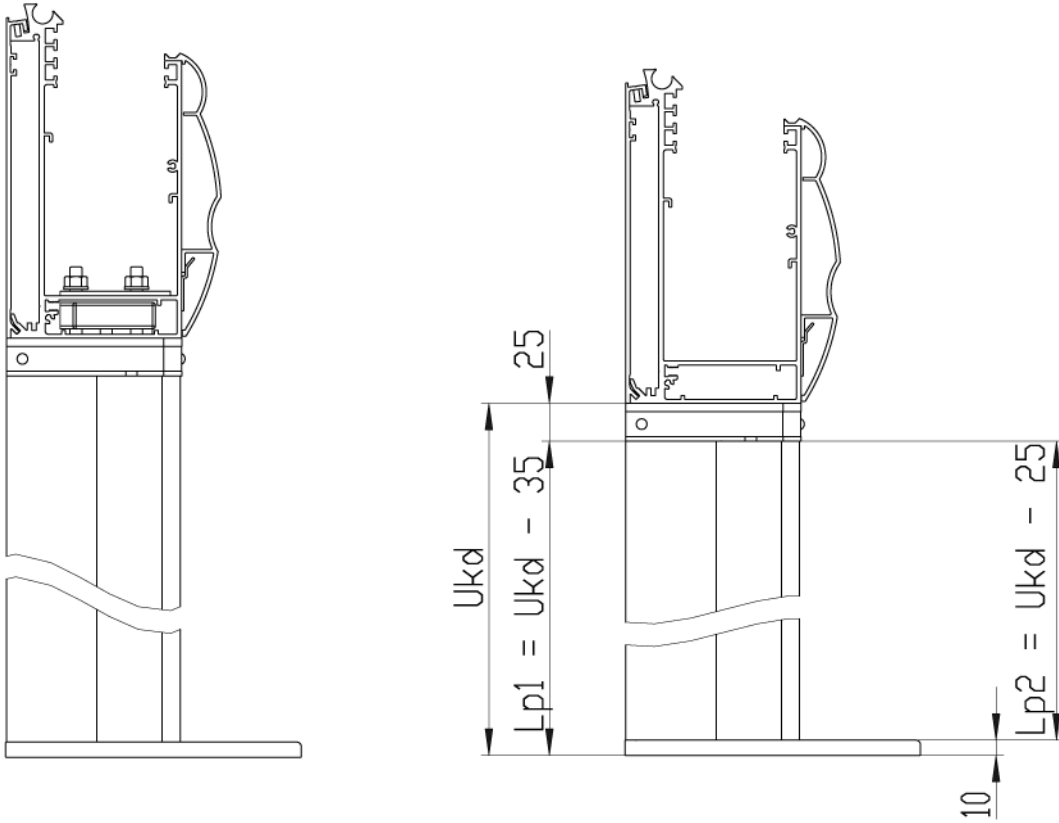
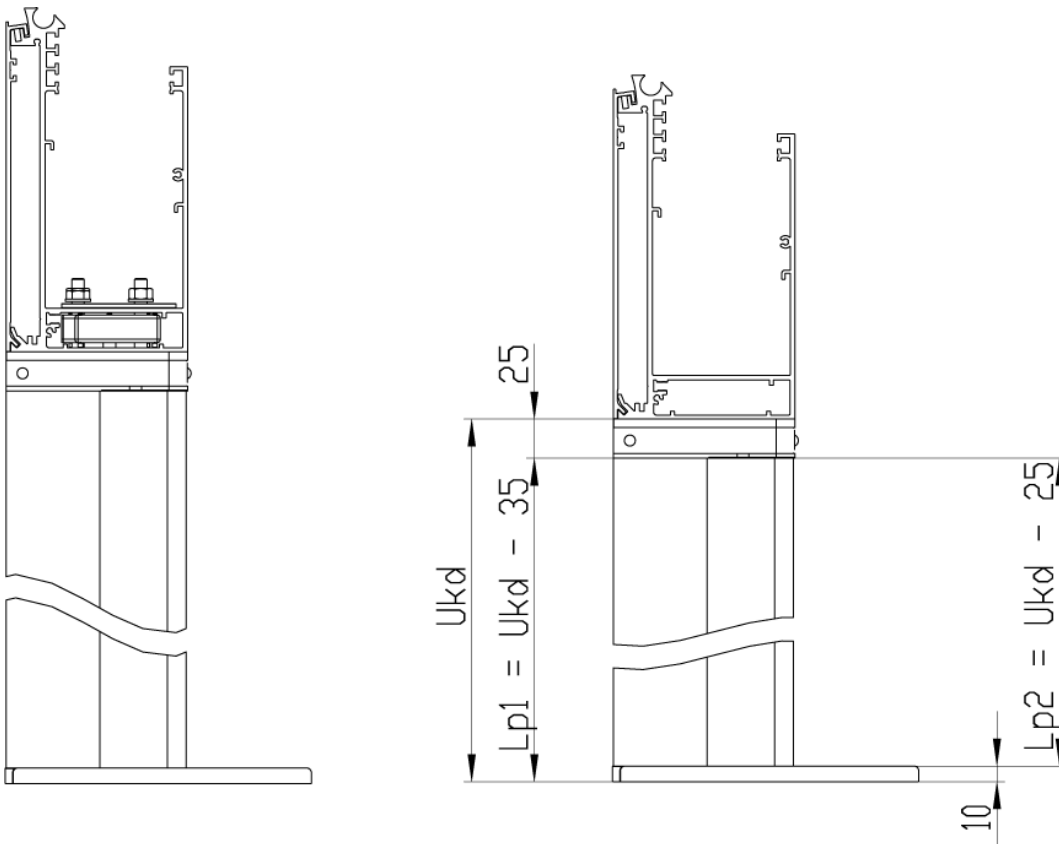


Figure: Determining the length of posts with Terrazza Originale and Terrazza Sempra with 220 guttering

Terrazza Originale:

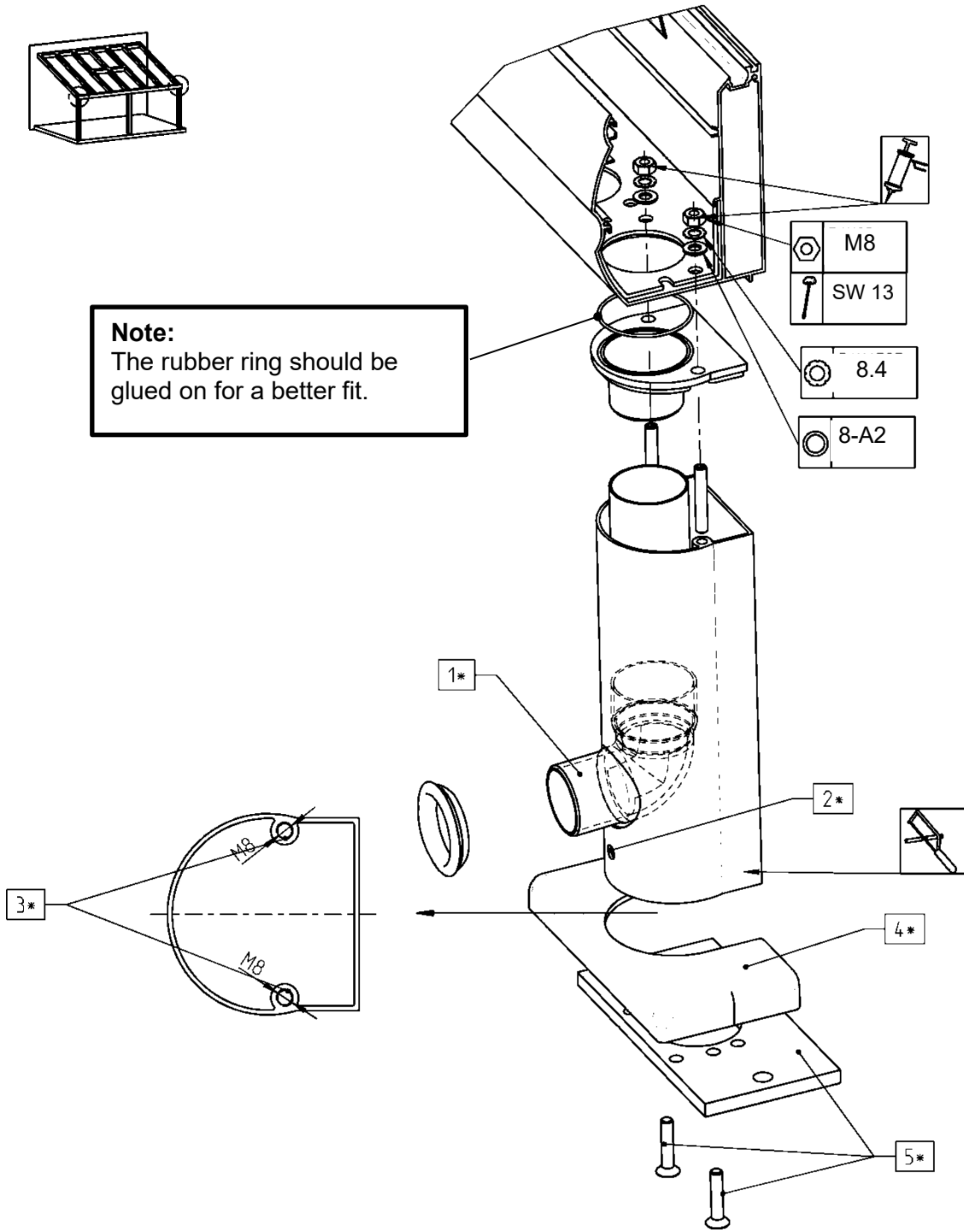


Terrazza Sempra:



Lp	Length of post
Ukd	Bottom edge of guttering

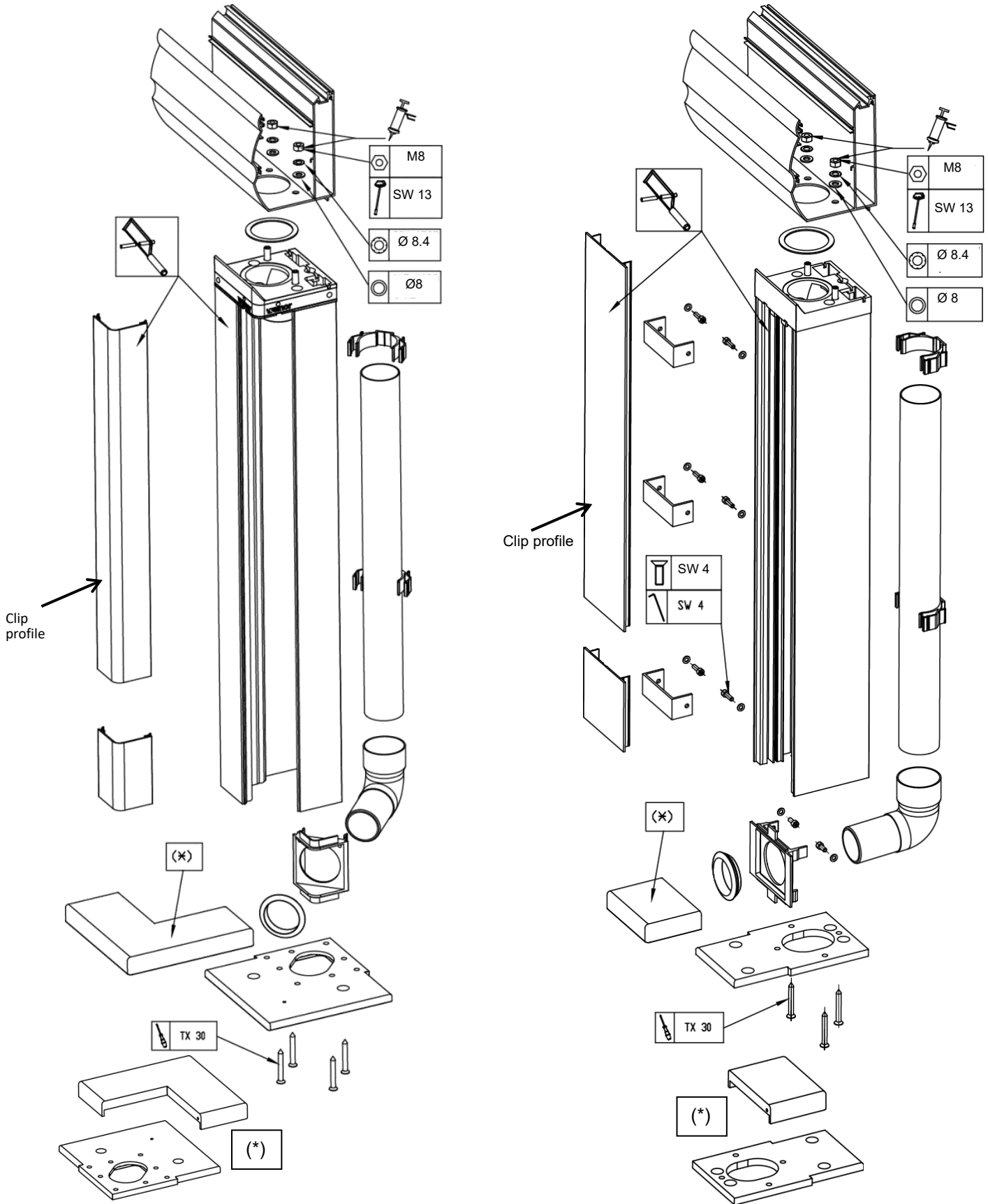
Figure: Affixing the 90 post using the example of Terrazza Originale



- | | |
|-----|---|
| 1 | Downpipe, elbow and rubber ring optional; saw to length and fit on-site |
| 2 | Drilled hole to protect against frost damage |
| 3 | Screw channels approx. 35mm deep, tap two M8 threads |
| 4 | Cover cap for post plate |
| 5 | Post plate with holes for attachment to the assembly base and screws |
| (*) | Optional |

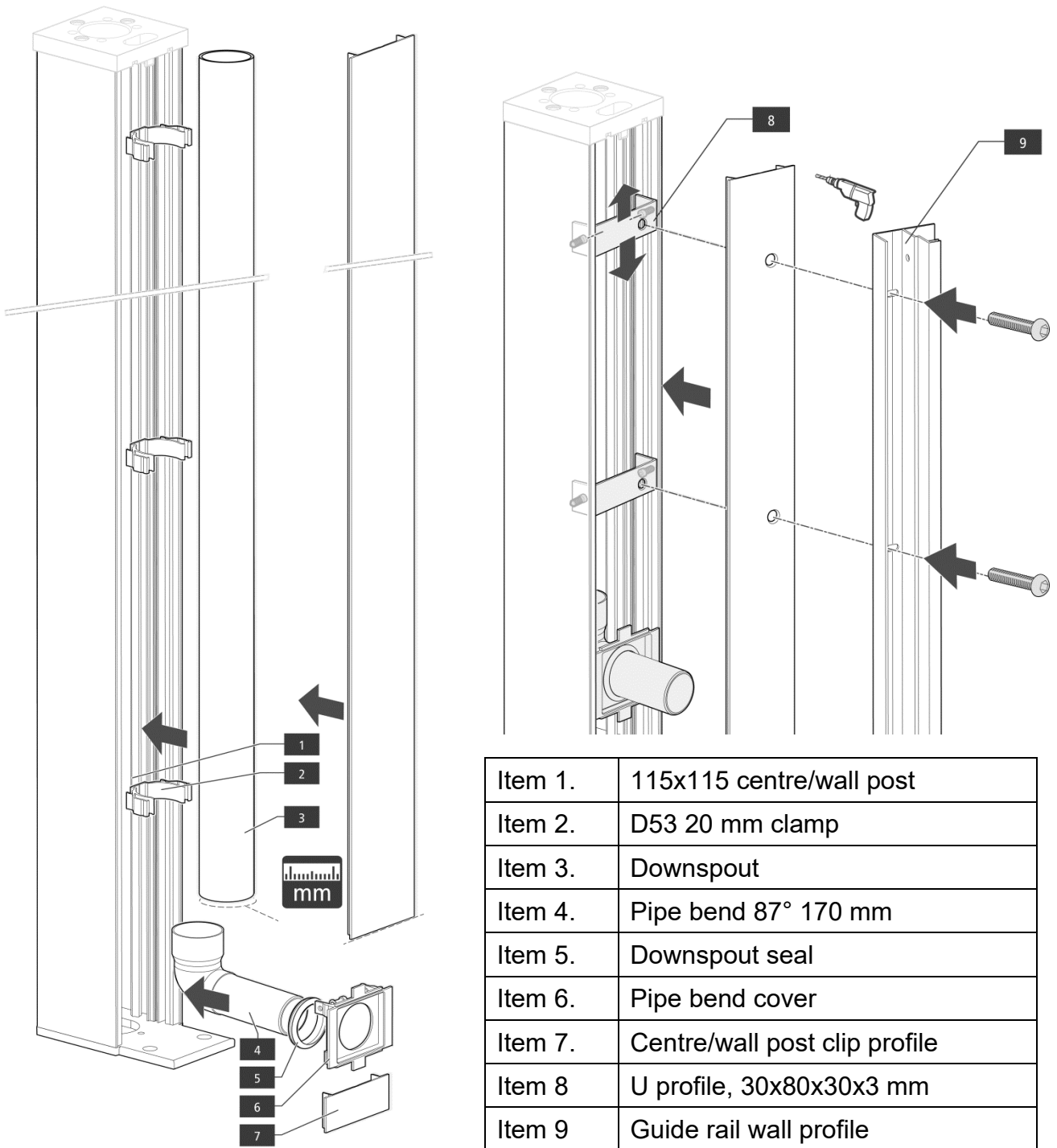
- If no posts are available, the guttering will need to be secured to prevent it from twisting/tipping over.

Figure: Affixing the 115 post using the example of Terrazza Originale

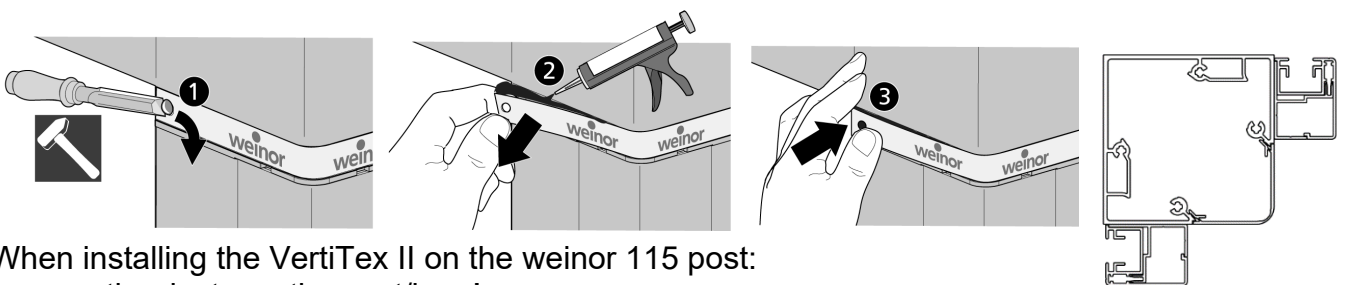


Note:	It is possible to selectively bend the clip profile up if it is too loose.
(*)	Optional

Figure: Affixing the 115 post to the optional VertiTEx II rail

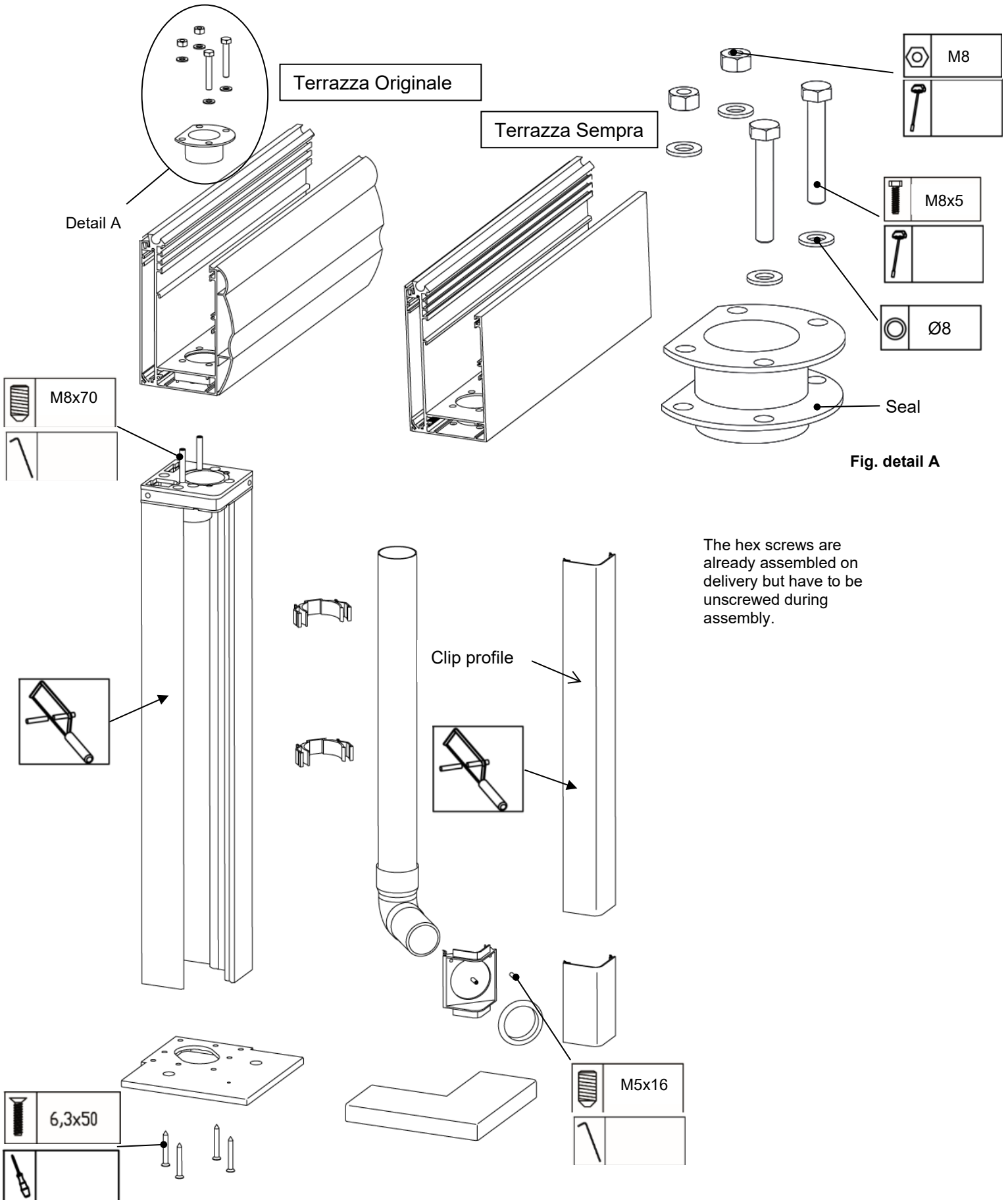


Optional fitting of VertiTEx II rails on a centre 115 post



When installing the VertiTEx II on the weinor 115 post: remove the rivets on the post/logo!

Figure: Affixing the 115 post with drain to the 220 guttering with Terrazza Originale and Terrazza Sempra



Note: It is possible to selectively bend the clip profile up if it is too loose.

Figure: Affixing the 115 middle post with drain to the 220 guttering with Terrazza Originale and Terrazza Sempra

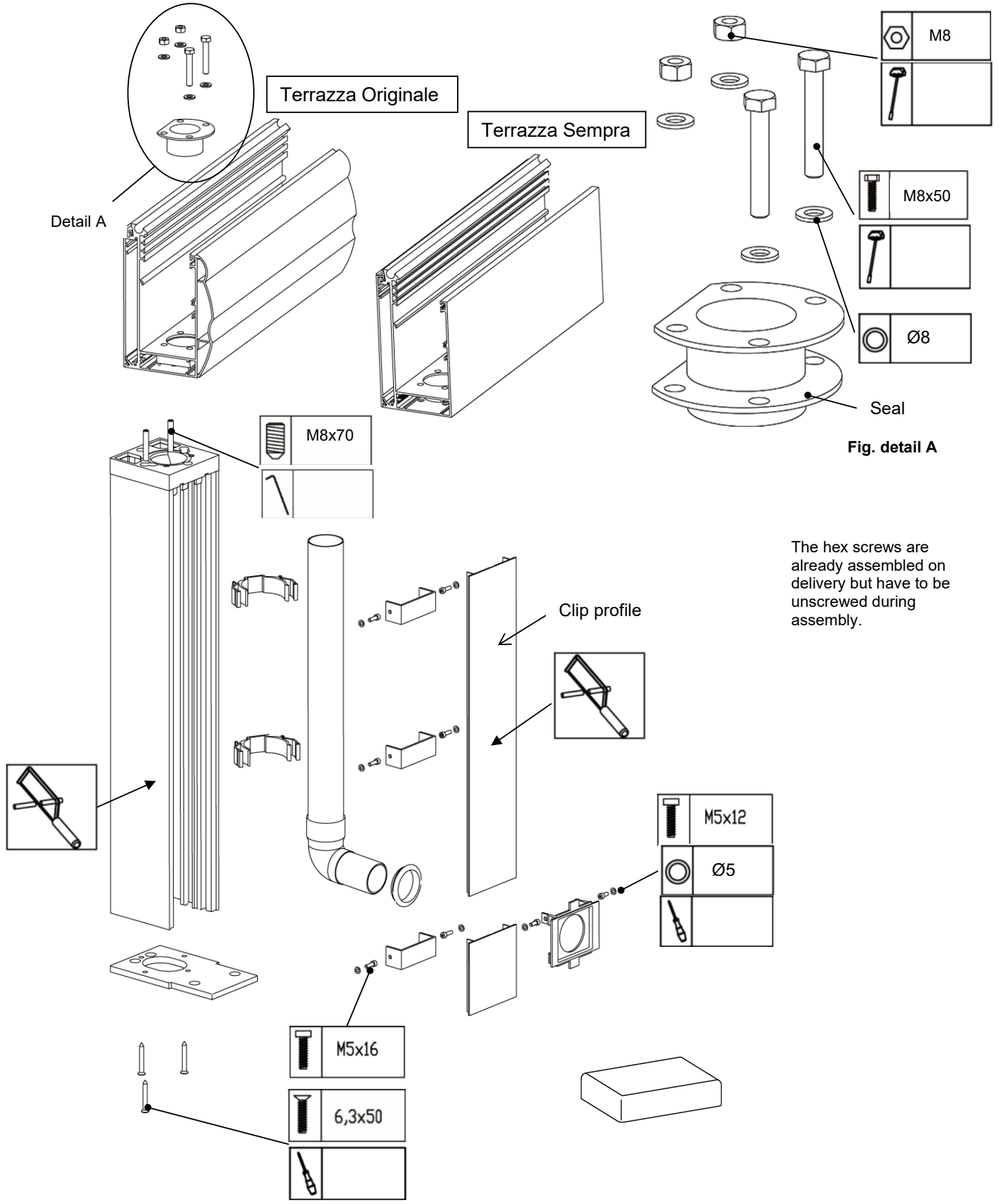
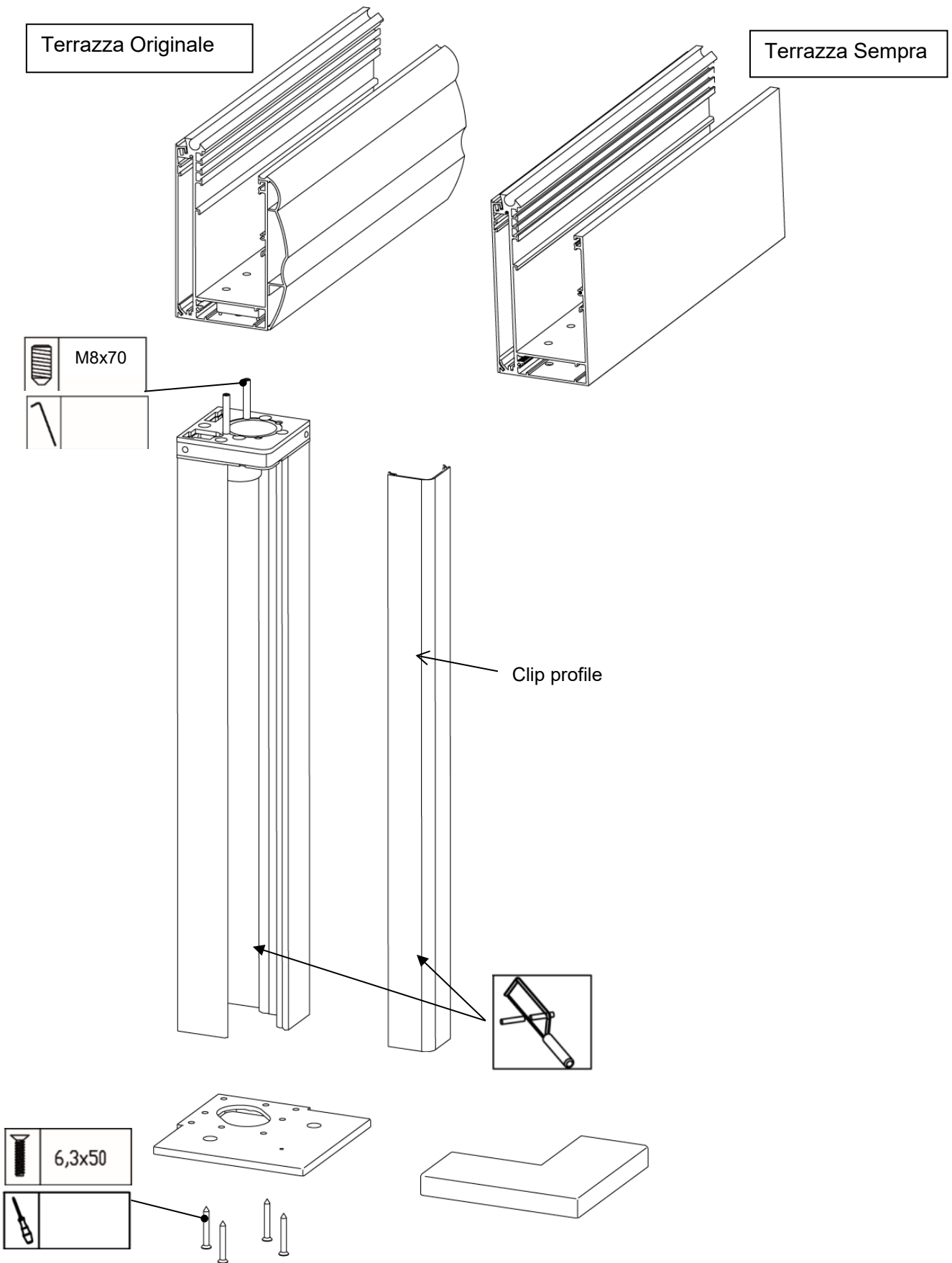


Fig. detail A

The hex screws are already assembled on delivery but have to be unscrewed during assembly.

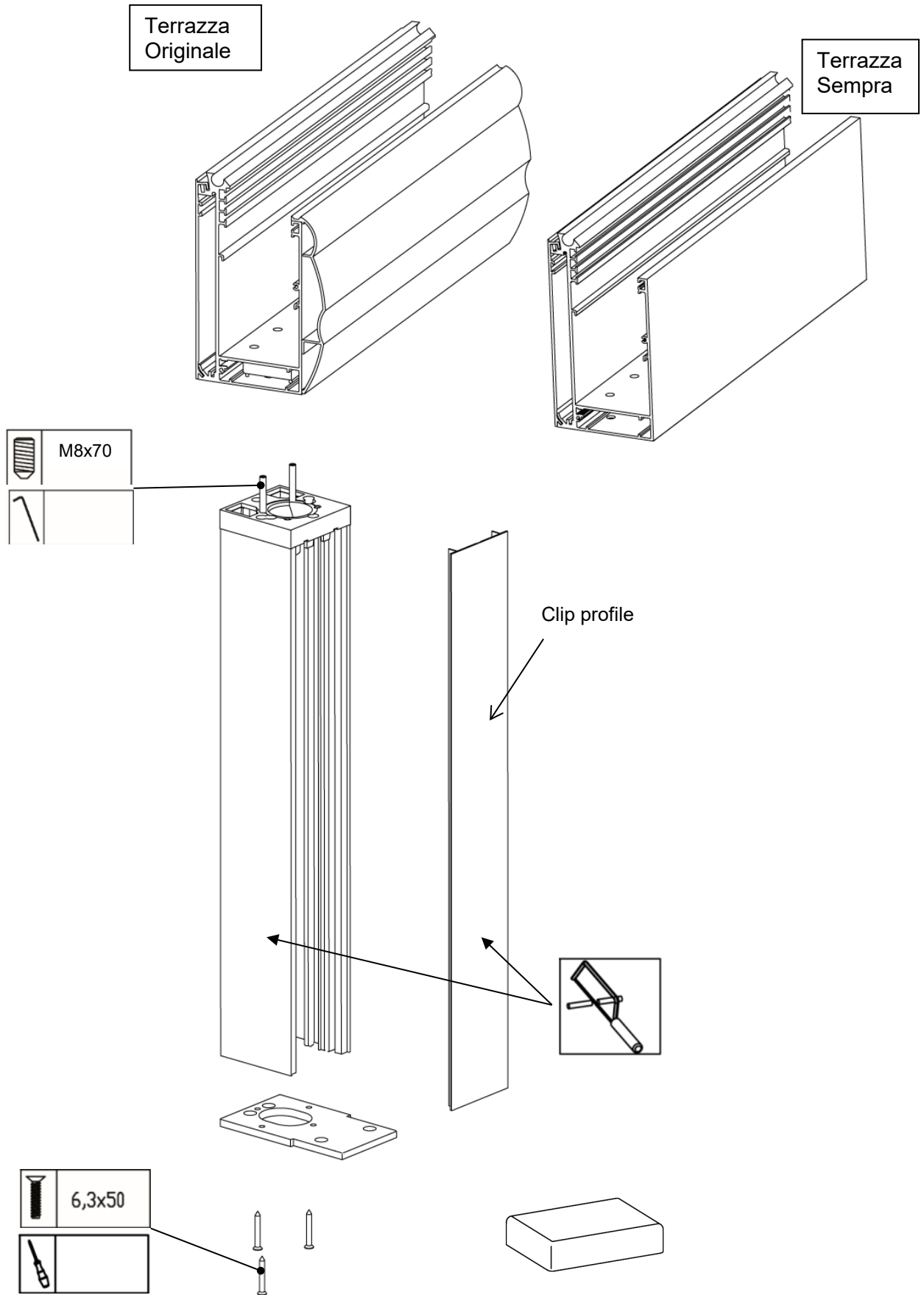
Note: It is possible to selectively bend the clip profile up if it is too loose.

Figure: Affixing the 115 post without drain to the 220 gutter with Terrazza Originale and Terrazza Sempra



Note: It is possible to selectively bend the clip profile up if it is too loose.

Figure: Affixing the 115 middle post without drain to the 220 guttering with Terrazza Originale and Terrazza Sempra

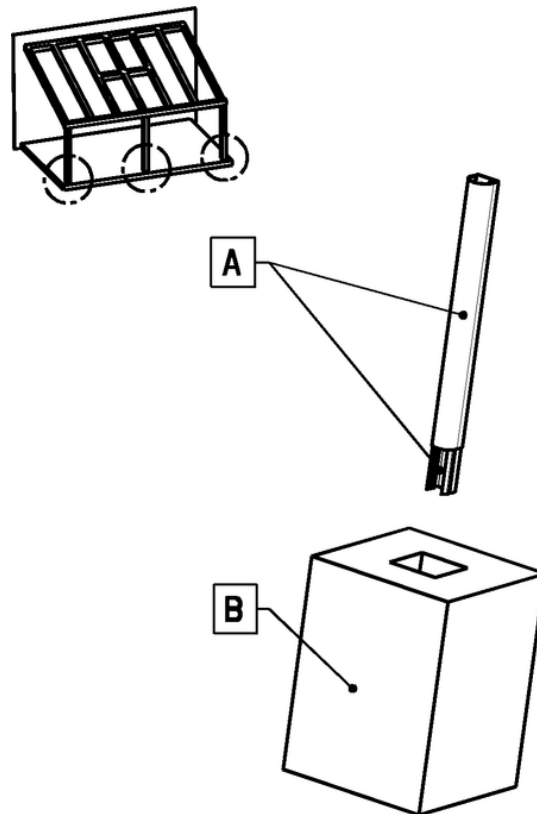


Note: It is possible to selectively bend the clip profile up if it is too loose.

3.3 Posts set in concrete

- Note: Applies to the 90 post and 115 post
- Saw posts to length if required
- The posts will need to be machined on site to ensure that they cannot be removed from the foundations. There are various ways of doing this, which can also be combined:
 - On the underside of the 90 post, tap two M8 threads 35 mm deep into the screw channels and insert screws.
 - Insert screws into the holes on the side of the posts
 - Drill several holes into the side of the posts (at least 13 mm in diameter to allow the concrete to flow into the posts).
- Before inserting the posts into the foundations, they will need to be treated with an anti-corrosion coating. Protective coatings containing chromates or silicate are suitable for this purpose, but adhesive bitumen paint also works.
- Then insert the posts into the holes in the foundations; do not set the posts in concrete at this point but simply secure them so that they can be aligned during the installation.
- Only after the roof has been fully installed and aligned can the posts be set in concrete in the foundations.

Figure: Setting the posts in concrete

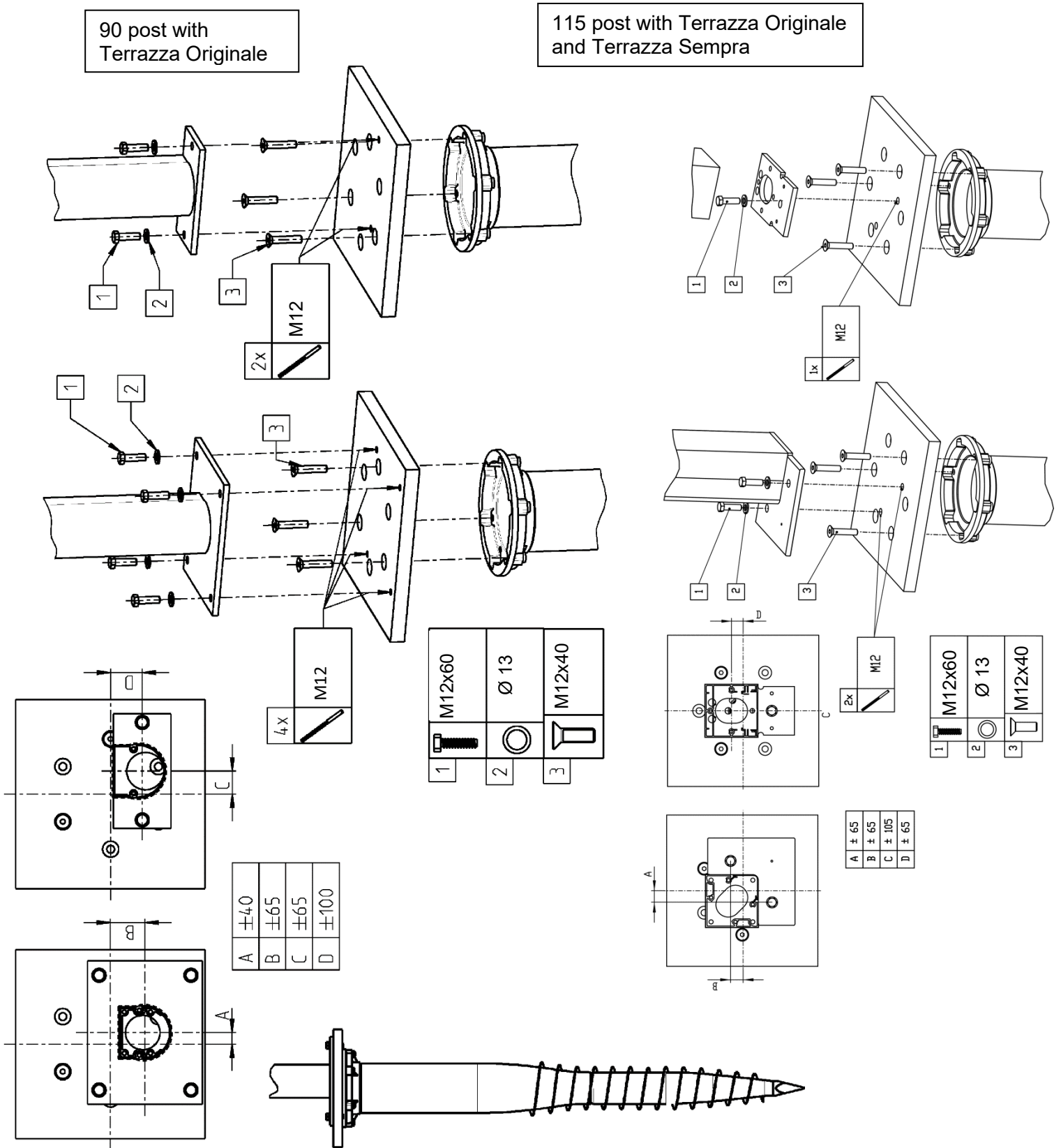


- | |
|---|
| A Trim the posts with stiffeners on site, taking the depth of the concrete encasing into account |
| B Bucket foundation |

3.4 Screw foundation system

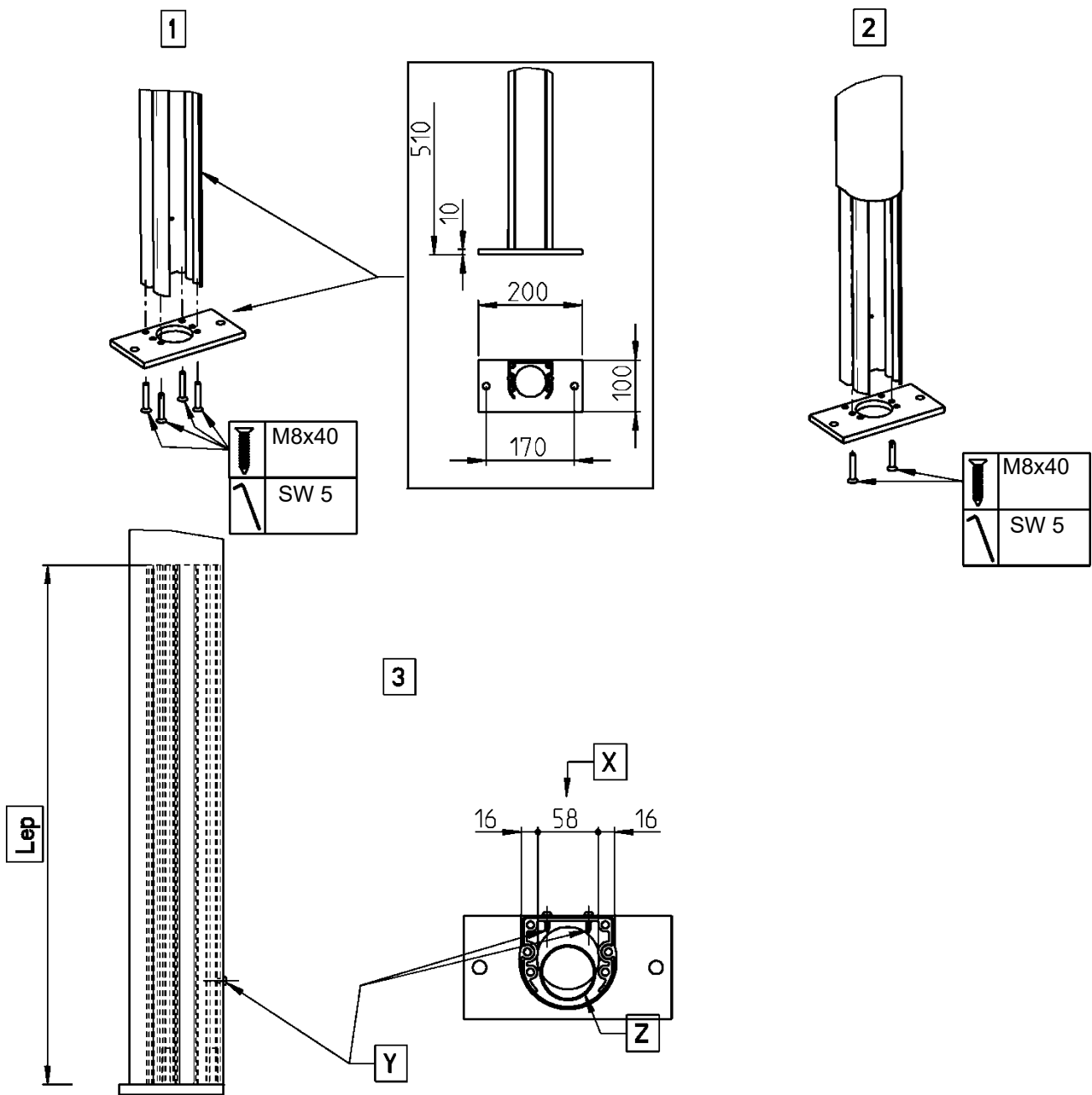
Note: The Krinner company will install the screw foundation system

Figure: Krinner screws + plates



3.5 Affixing the aluminium base with 90 post and 115 post

Figure: Aluminium base fixing with Terrazza Originale 90 post



- | | |
|-----|--|
| X | Area where post can be affixed to the aluminium base from the back |
| Z | Position of the downpipe if a water outlet is built into the post. Take care not to damage the downpipe when attaching the screws. |
| Lep | Length of insert profile |
| Y | Screws fitted on site; number and type of screws depends on on-site conditions |

Alternatively with Terrazza Originale 90 post:

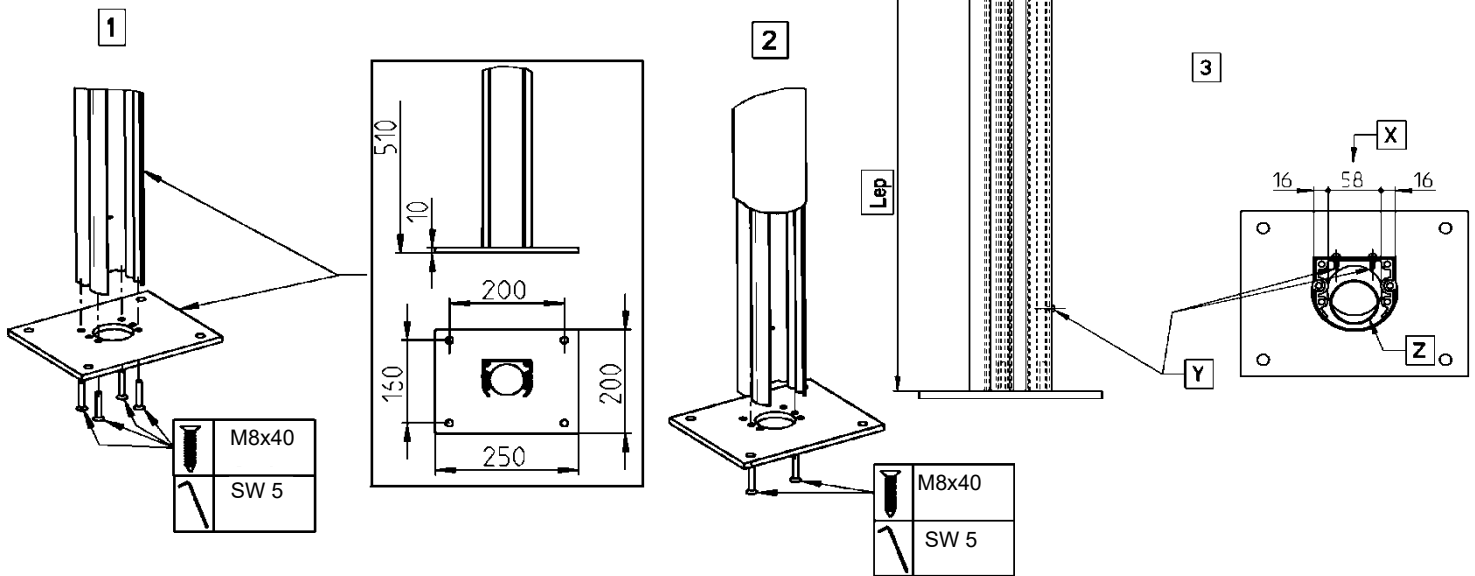
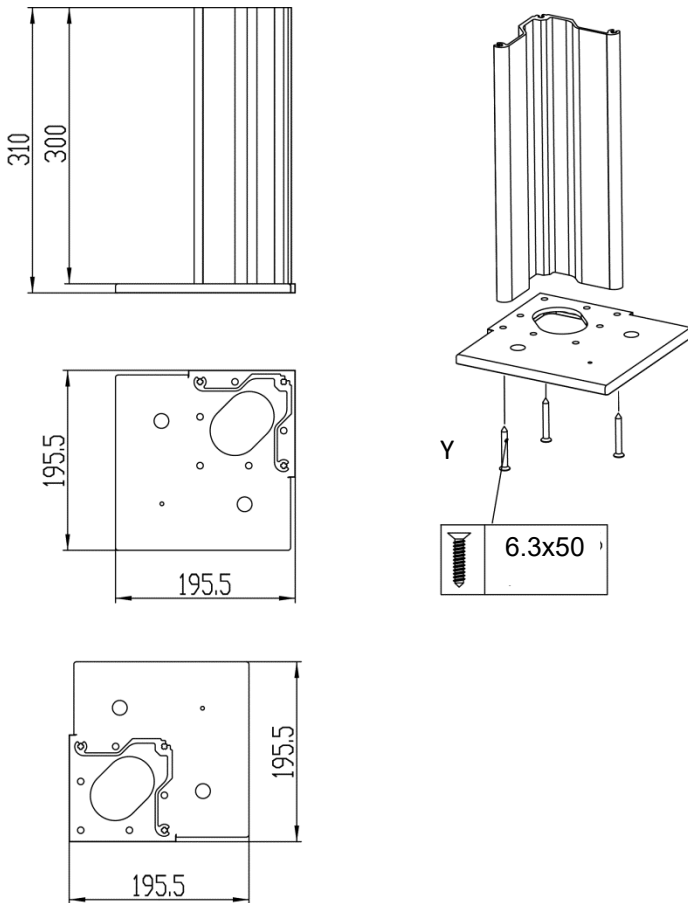


Figure: Aluminium base fixing with Terrazza Originale 115 post Terrazza Sempra

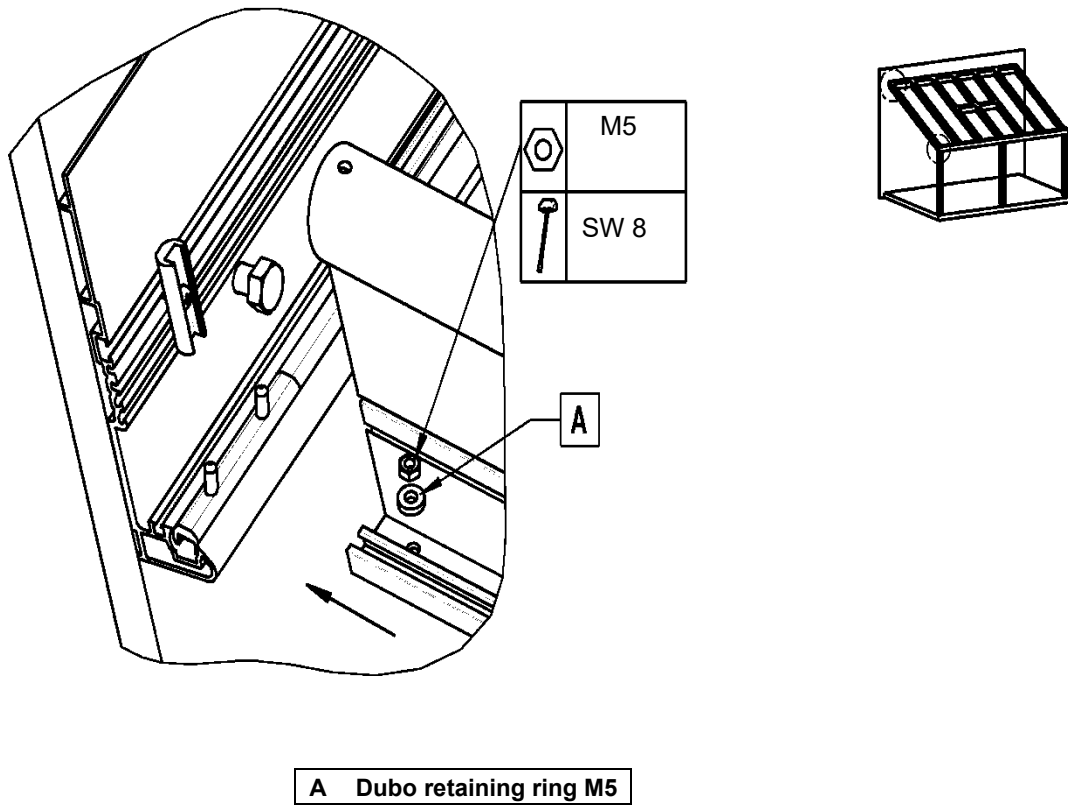


- | | |
|------------|---|
| X | Area where post can be affixed to the aluminium base from the back |
| Z | Position of the downpipe if a water outlet is built into the post. Take care not to damage the downpipe when attaching the screws. |
| Lep | Length of insert profile |
| Y | Screws fitted on site; number and type of screws depends on on-site conditions |

3.6 Affixing the roof support

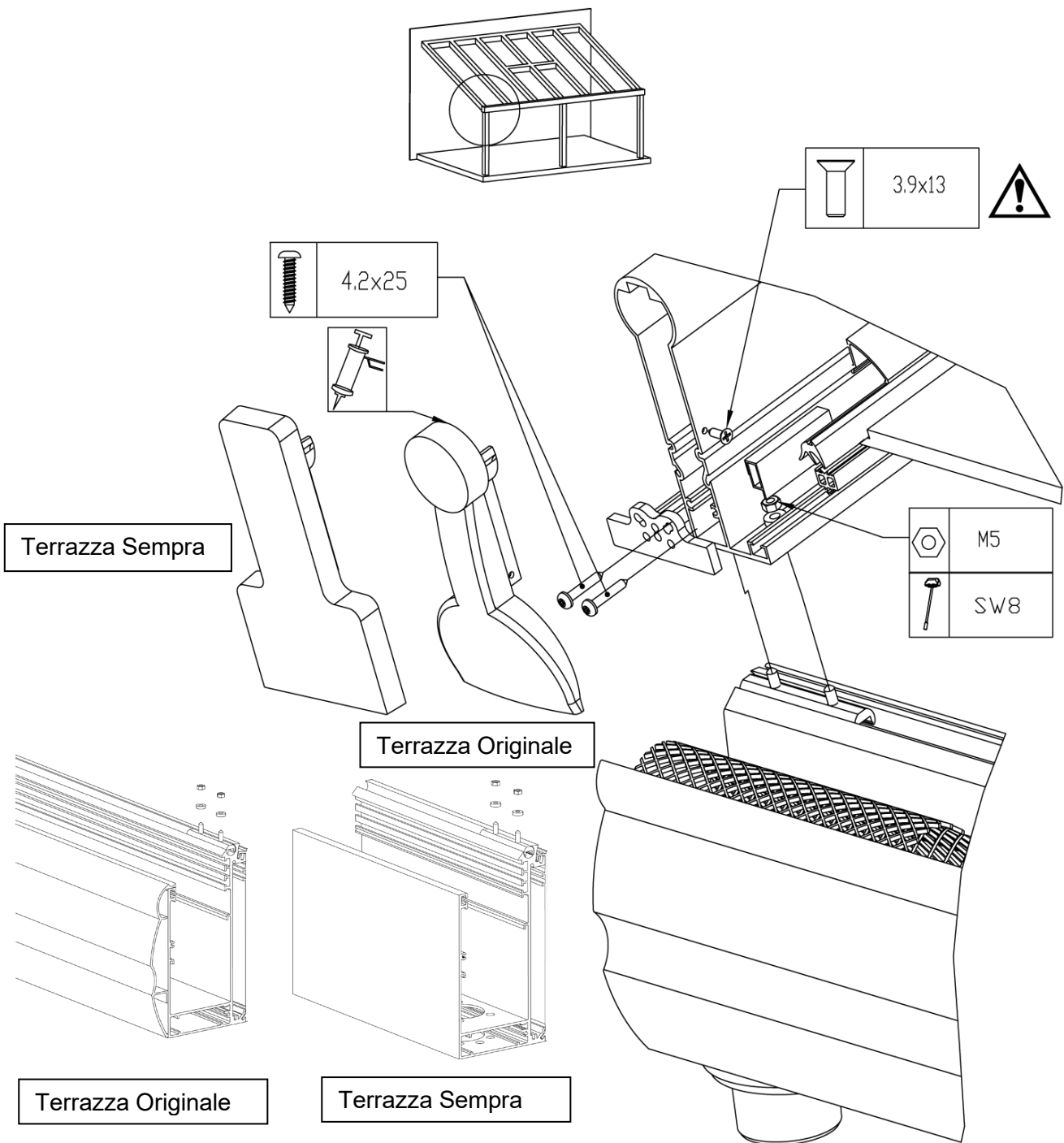
3.6.1 Affixing the roof support to the wall bracket

Figure: Affixing the roof support to the wall bracket



3.6.2 Affixing the side roof support

Figure: Affixing the side roof support with Terrazza Originale and Terrazza Semptra

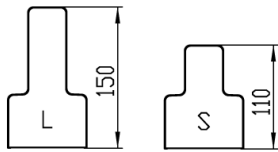


- If required, a screw can be added to affix the cover cap.
- Mask the top and bottom web plates using aluminium adhesive tape.
- Top profile, web plates and glass not supplied.
- The top profile for the glass must be installed behind the stop; remove the rubber to do so.
- The roof support is affixed identically with the 160 guttering and 220 guttering.

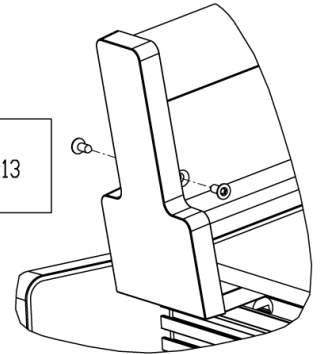
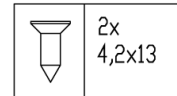
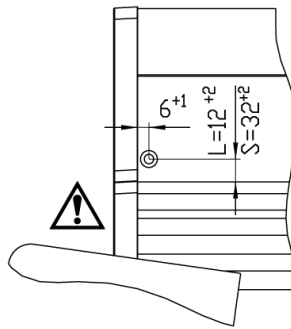
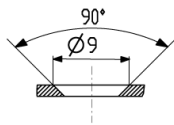
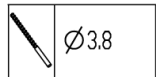
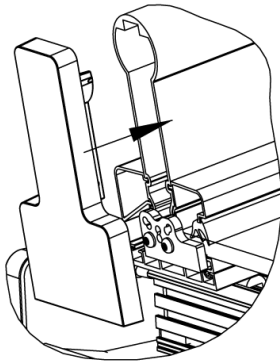
3.6.3 Affixing the roof support cover cap

Figure: Affixing the roof support cover cap with Terrazza Sempra

Note: It must be affixed in place, do not glue!

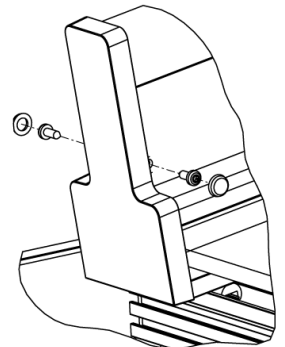
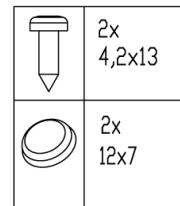
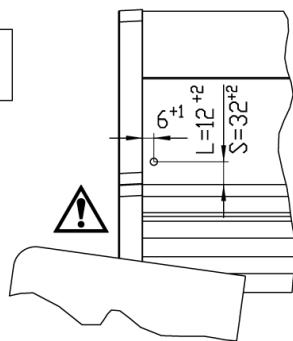
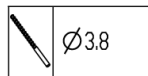
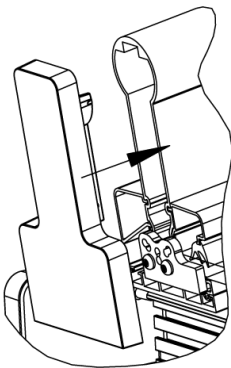


Left and right



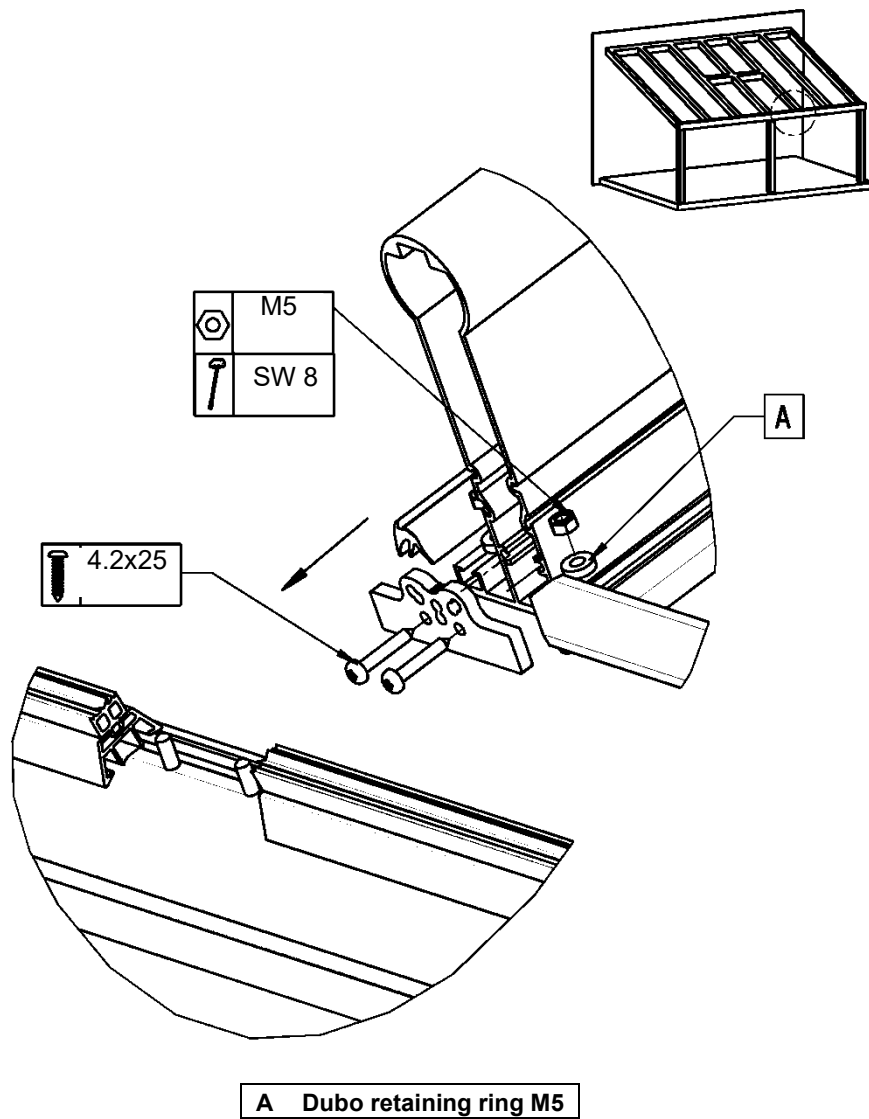
Alternative:

Left and right



3.6.4 Affixing the roof support

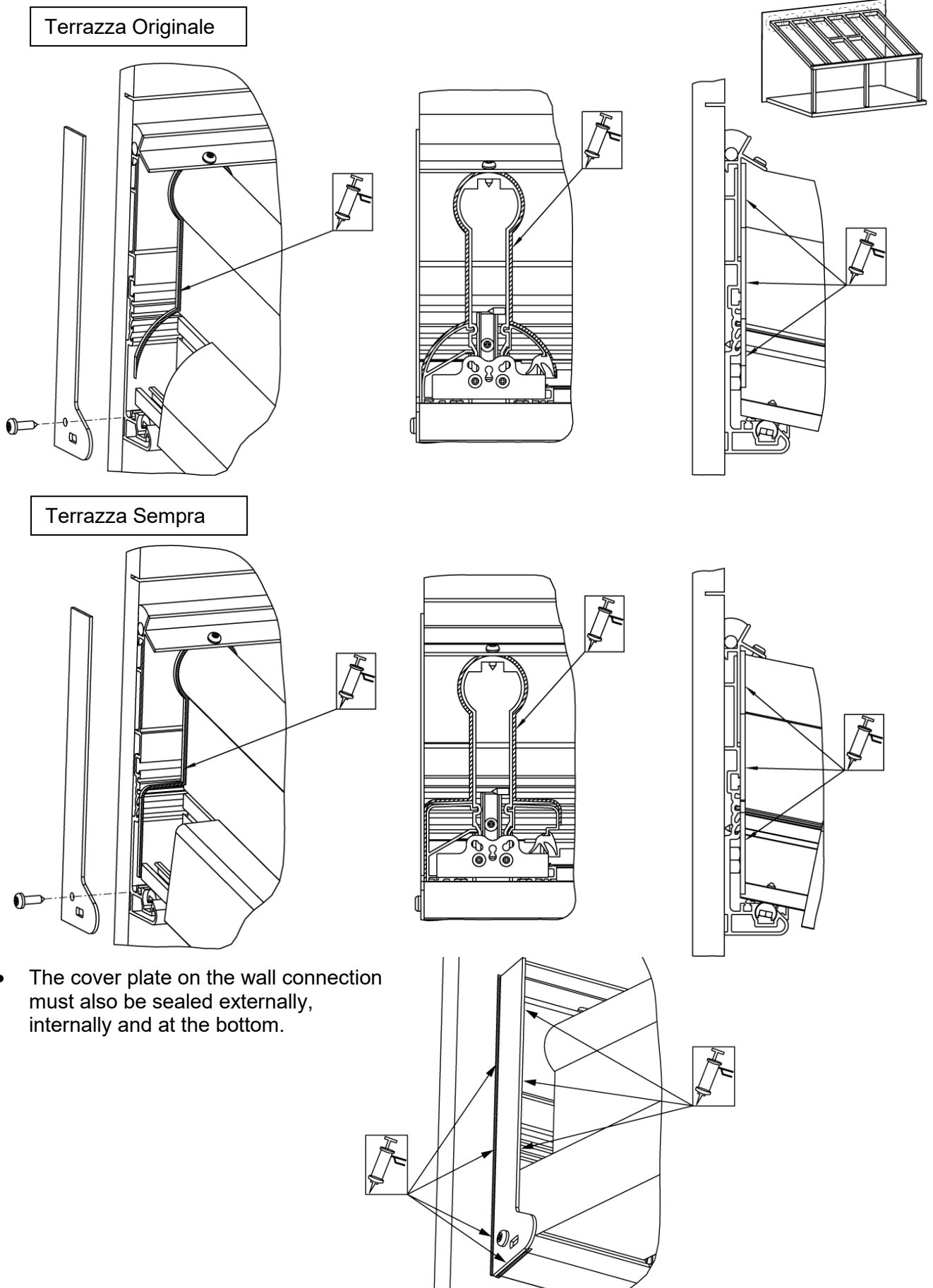
Figure: Affixing the roof support



3.6.5 Sealing the roof supports to the wall bracket

- To ensure that no water can penetrate between the roof support and the wall bracket, each roof support must be sealed all the way round the area joined to the wall bracket!

Figure: Affixing the roof support on the wall bracket with Terrazza Originale and Terrazza Sempra

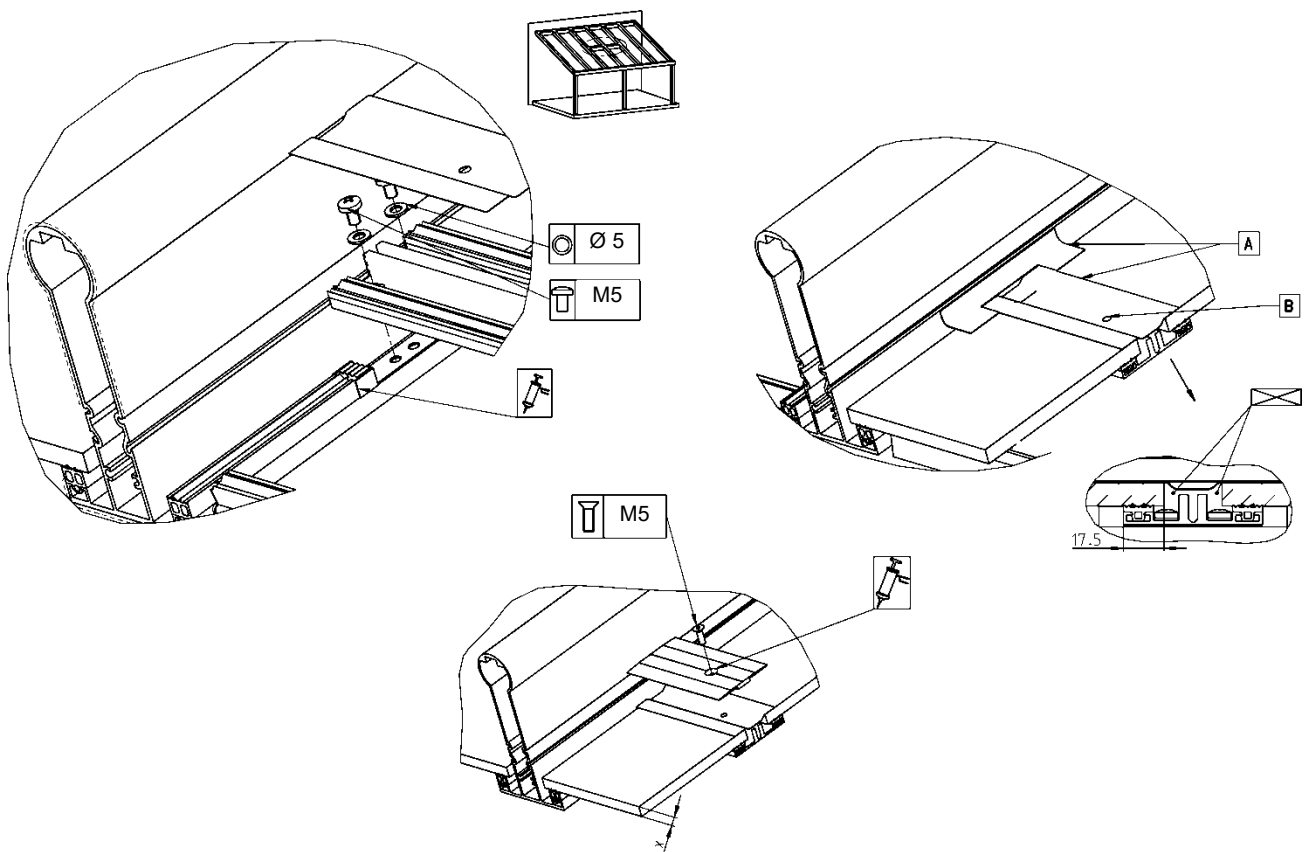


- The cover plate on the wall connection must also be sealed externally, internally and at the bottom.

3.7 Affixing the transom + glass butt end

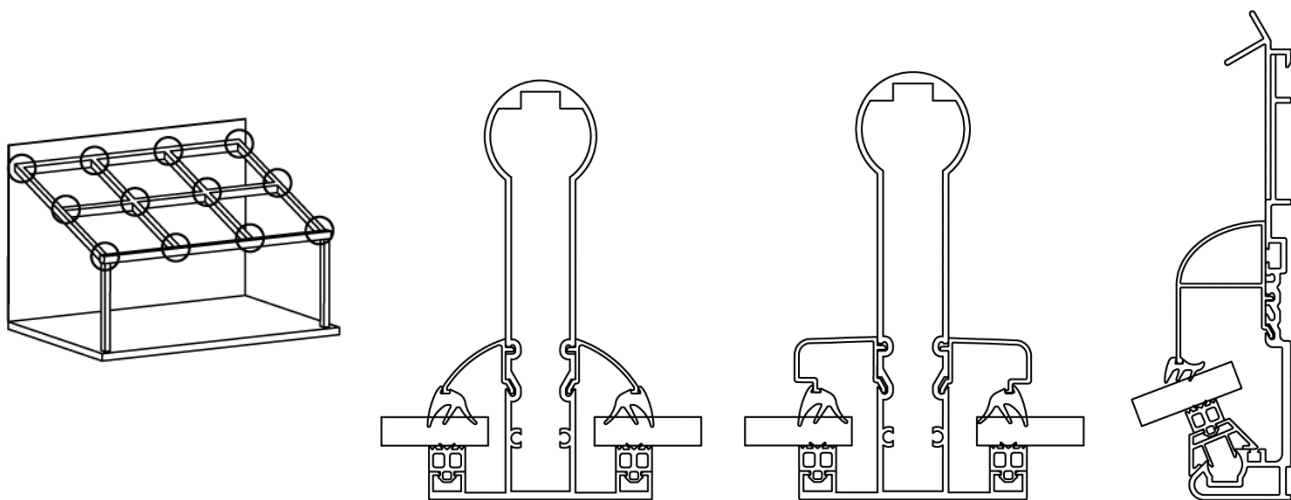
- Before masking with aluminium foil tape, clean the edges of the glass panes using acetone.

Figure: Affixing the transom and glass butt end



A	Clean the edges of the glass panes using acetone; mask the glass butt end using alum. foil tape
B	Pierce the aluminium foil tape before attaching the top profile of the transom
X	Thickness of roof covering
	Glue the mounting shoe to the rubber glass support
M5x16	10 mm
M5x20	12 mm, 16 mm

Figure: Glazing rubber and wedge seal joints



- All joints where glazing rubber and wedge seal joints touch should be glued together. This is equally true for glazing rubber beneath the glass roofing and wedge seals above the glass roofing.

3.8 Fitting the roof covering

3.8.1 Special considerations when using glass

- Depending on the roof covering, silicone-free or siliconized seals may be used.
- When fitting self-cleaning glass: do not allow the glass to come into contact with silicone as it will impair the self-cleaning effect.
 - Fitters must wear silicone-free clothing (e.g. appropriate trainers if walking over the roof)
 - Avoid using silicone-based sealants near the glass surfaces (e.g. silicone is used to seal the wall bracket to the wall. As rain washes over the seal and onto the glass, it takes silicone particles with it which deposit on the glass)
- If parts become hard to move during the installation work, moisten the seal with some silicone spray or washing-up liquid; never use silicone spray on self-cleaning glass.

3.8.2 Notes on fitting the roof covering

- Always follow the manufacturer's guidelines when fitting the roof covering. These include:
 - Guidelines on machining (e.g. trimming)
 - Guidelines on padding and securing
 - Guidelines on thermal expansion
 - Compatibility with adjoining materials (seals)
 - Guidelines on maximum size and loading capacity
- The following recommendations do not pretend to be full and complete:
 - Secure the roof covering to prevent it from sliding excessively to the side.
 - Leave enough play if using spacer blocks (take thermal expansion of roof covering into account).
 - Secure the spacer blocks to prevent them from slipping.
- On rectangular roof panels a variable shim stop must be fitted in the middle of each panel if the roof is pitched at > 15 degrees.

Figure: Correct insertion of the wedge seal using the example of a Terrazza Semptra

- Please ensure that the wedge seal is inserted correctly. We recommend that you use the glazing device with a roller as an aid, which you can find in the Terrazza Semptra/ Plus accessories price list. Caution! Do not pull on the seal! Compress seals sufficiently!

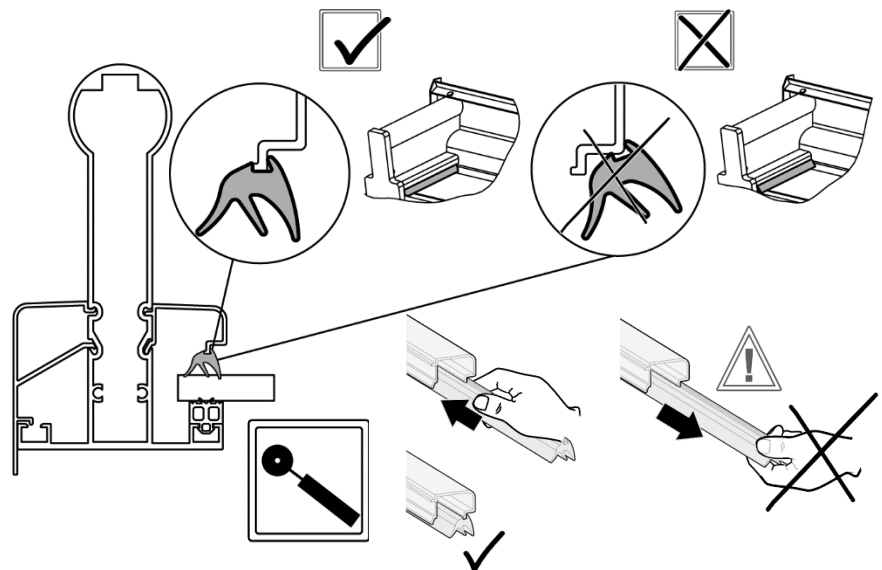


Figure: Variable shim stop

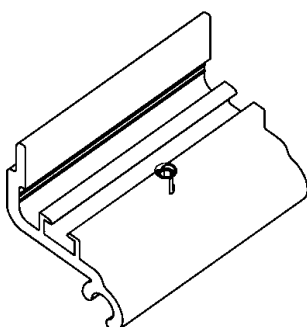
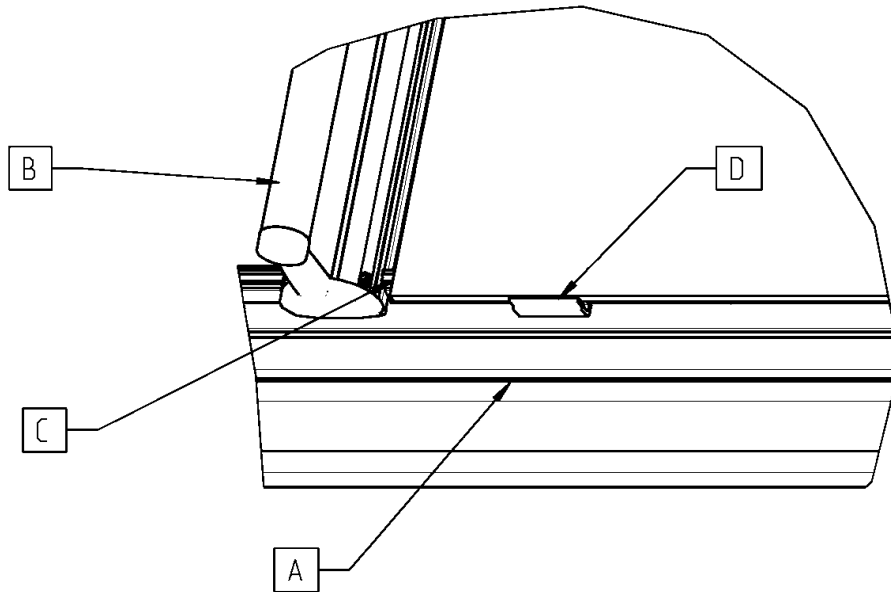
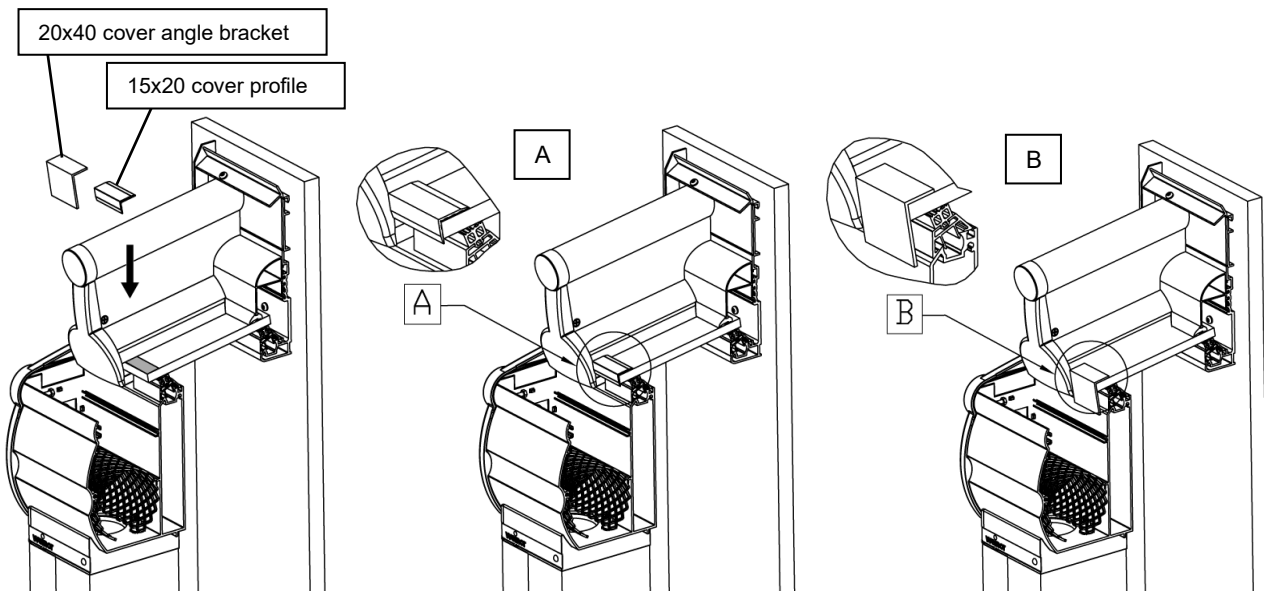


Figure: Variable shim stop 2 using the example of Terrazza Originale



- A** Guttering
 - B** Roof support
 - C** Glass support with rubber
 - D** Variable shim stop
- Note:** The 15x20 cover profile or 20x40 cover angle bracket are not possible when using D.

Figure: 15x20 cover profile and 20x40 cover angle bracket using the example of Terrazza Originale

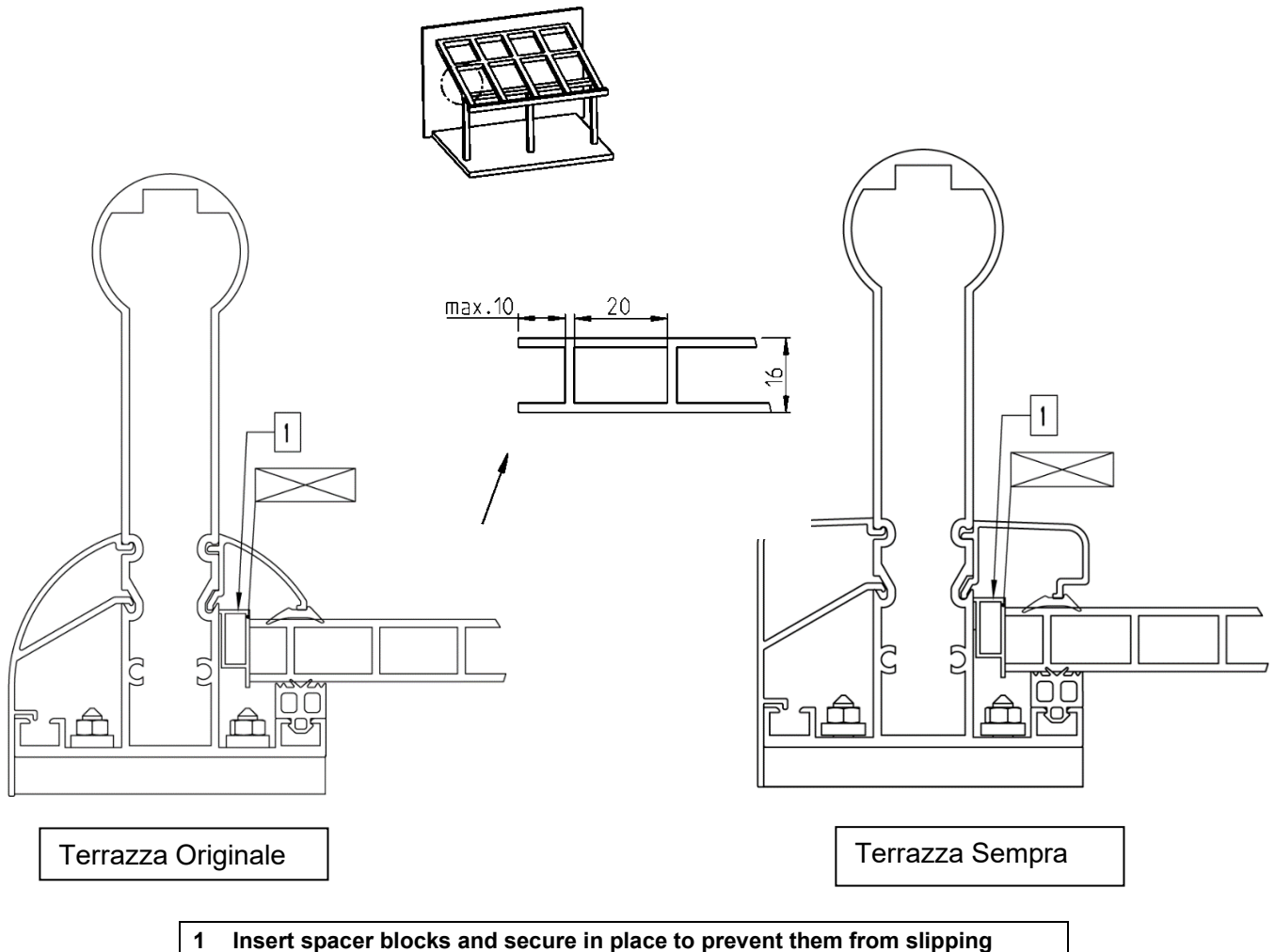


- A** Optional: The 15x20 cover profile is glued to the front edge of the glass.
 - B** Optional: The 20x40 cover angle bracket is glued to the front edge of the glass.
- Note:** Due to the slight elevation on the front edge of the glass, dirt may accumulate and lead to more cleaning work.

3.8.3 Special considerations when using web plates

- We recommend that you use polycarbonate web plates with the vertical plates spaced no more than 20 mm apart.
- When trimming, ensure that you leave at least 10 mm (see sketch) as the rubber wedges will otherwise fit loosely over the plates and could easily be pushed out; trim the plate on both sides if necessary.

Figure: Web plates and glass with Terrazza Originale and Terrazza Sempra



Depending on the roof covering, silicone-free or siliconized seals may be used.

3.9 Miscellaneous installation notes

3.9.1 Fitting the side roof support cover strip

- Position the side roof support cover strip on the roof support as shown in the drawing.
- Using your hand or a rubber mallet, tap on the cover plate from above (see direction of arrow); this will cause the cover strip to lock in place.

Figure: Fitting the cover strips on the roof support with Terrazza Originale and Terrazza Sempra

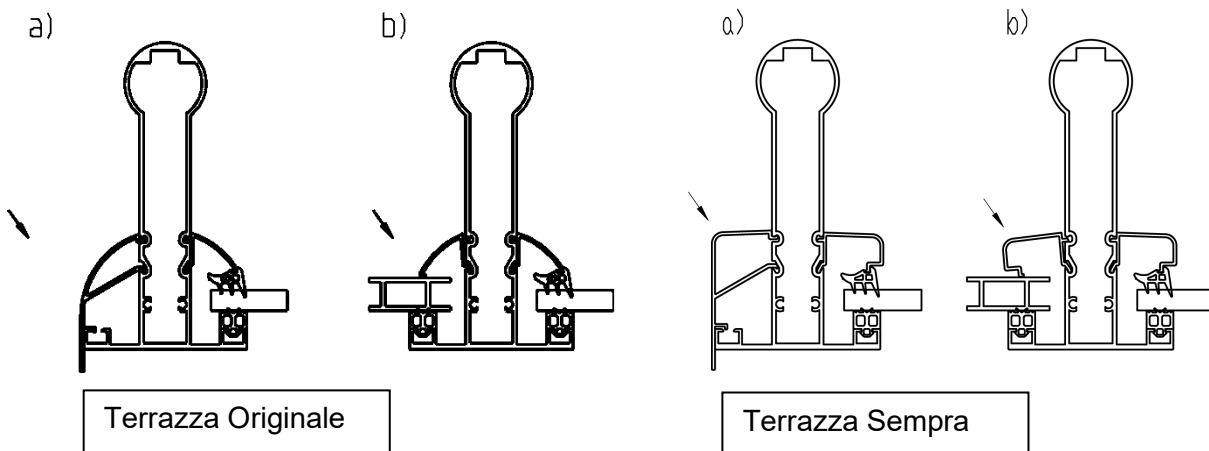
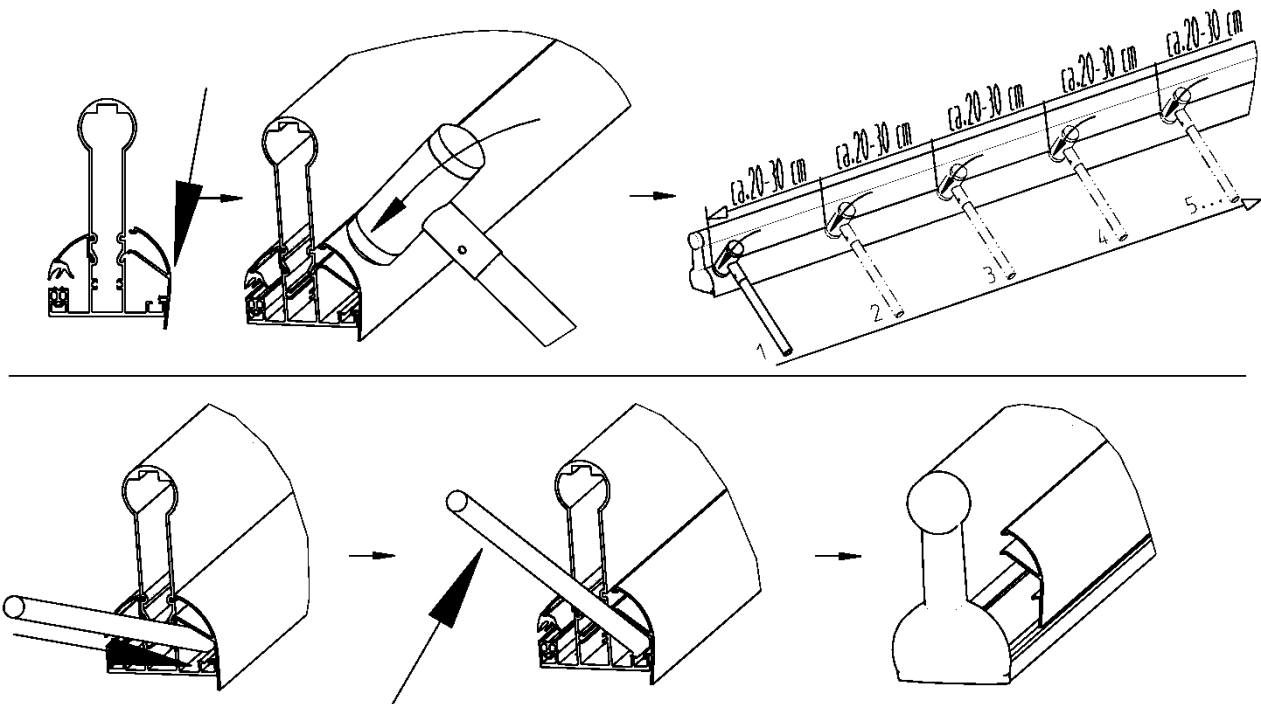


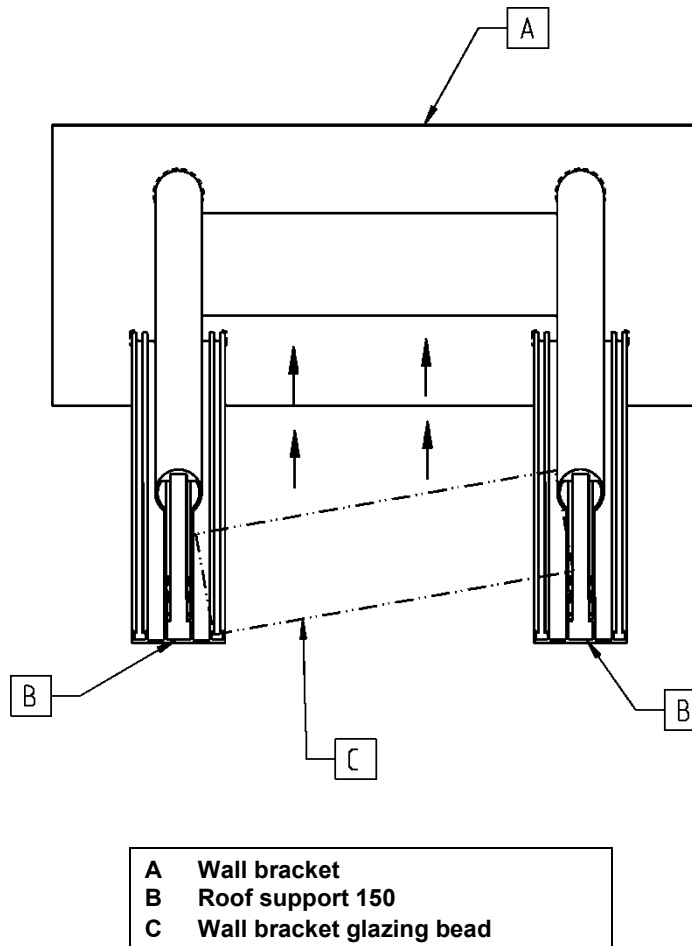
Figure: Fitting and disassembling the cover strips on the roof support



3.9.2 Fitting the wall bracket glazing bead

- On the roof support 150 (Terrazza L), the wall bracket glazing bead must be inserted at an angle between the roof supports and then turned so it is parallel to the wall bracket to leave room to work past the thicker ball-shaped section of the roof support (see drawing).
- Insert and rotate the wall bracket glazing bead into the correct groove on the wall bracket as shown in the drawing.
- Secure the glazing bead in place using a wedge seal.

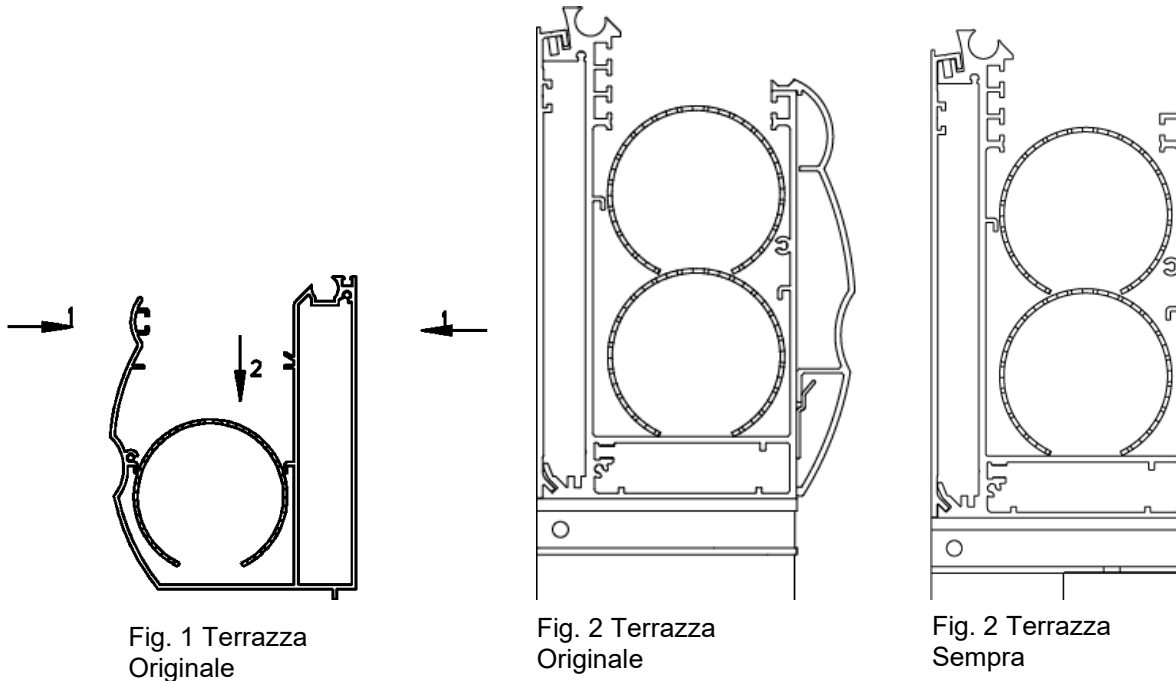
Figure: Fitting the glazing bead



3.9.3 Fitting the leaf guard (optional)

- Squeeze the leaf guard and insert it into the guttering from above.
- With the 160 guttering the protective leaf grill is situated in the lower section of the guttering (see figure 1).
- For roof gutter 220, two full-length leaf guards are placed on top of each other (see figure 2).

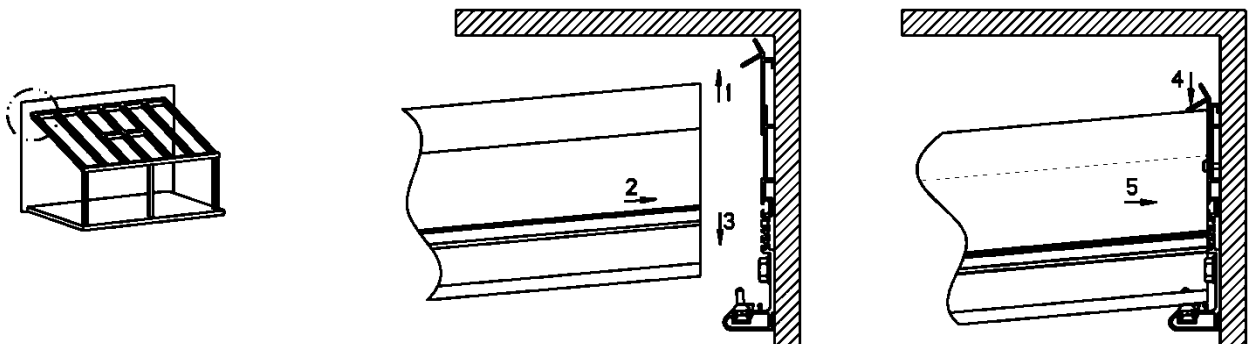
Figure: Fitting the protective leaf grill with Terrazza Originale and Terrazza Sempra



3.9.4 Fitting below the roof overhang

- Fix the top section of the wall bracket to the wall bracket (see drawing).
- Insert the roof support.
- Slide the top section of the wall bracket onto the roof support.
- Screw the top section of the wall bracket onto the wall bracket.
- If the wall bracket protrudes to the side of the roof overhang, this end will need to be sealed.

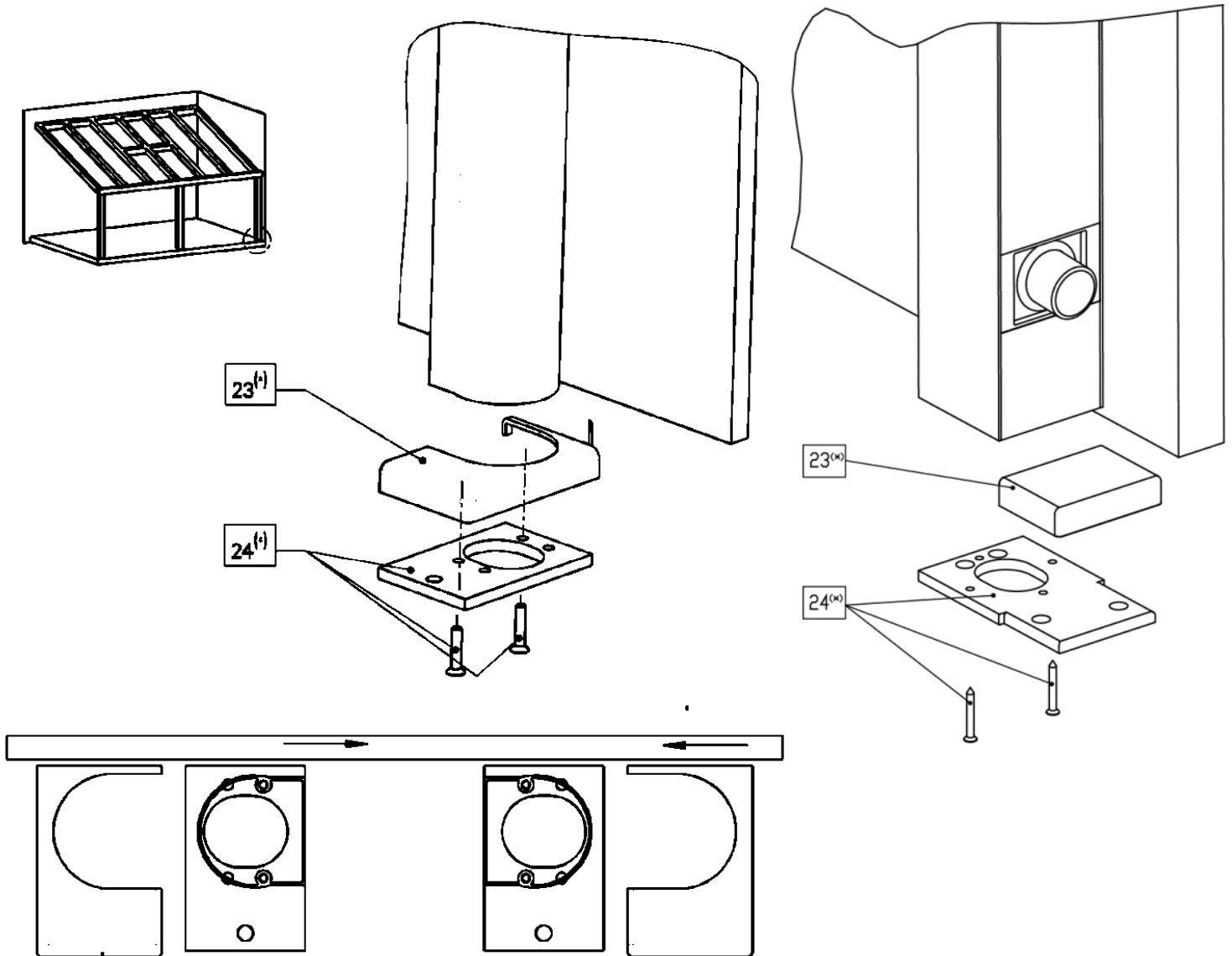
Figure: Fitting below the roof overhang



3.10 Affixing posts to a side wall

- When fitting the posts to the wall, the posts are fitted to the substrate using the wall-mounting post plate.

Figure: Affixing posts to a lateral wall

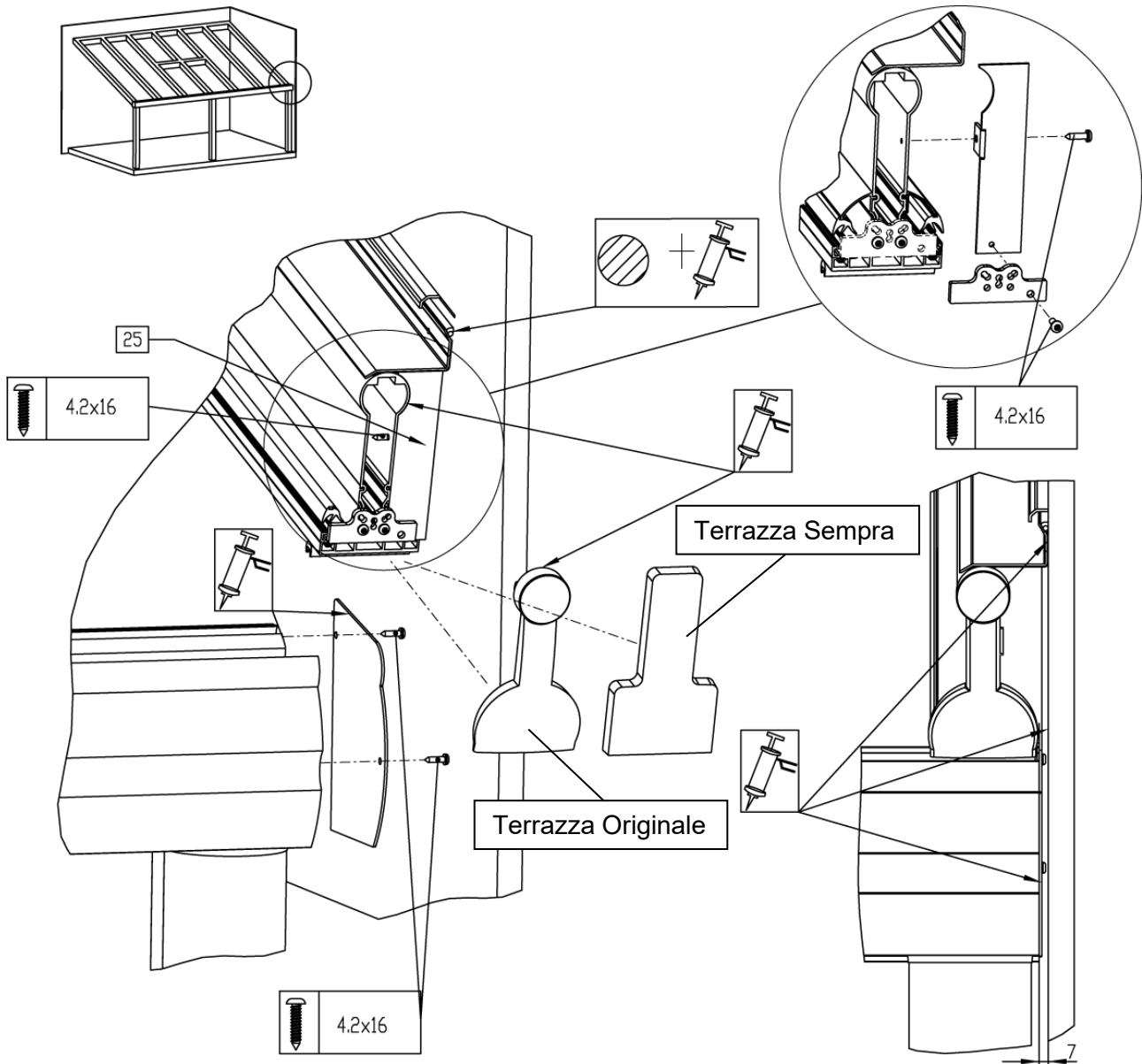


- | | |
|-----|--|
| 23 | 90 post: Wall-mounting post plate cap, right
115 post centre / wall-mounting post plate cover cap |
| 24 | 90 post: Wall-mounting post plate, right, with screws
115 post: Cover cap for centre / wall-mounting post plate |
| (*) | Optional |

3.11 Fitting onto a side wall

- If the roof abuts against a wall at one side, the guttering cover plate will need to be screwed onto the guttering before fitting the guttering with posts.
- Before the roof support can be fitted, the wall cover plate will need to be screwed onto the roof support and sealed along the side of the roof support.
- Once the roof support and the side wall bracket have been fitted, the roof support and guttering will need to be sealed along the side facing the wall.
- Trim the profiles on-site where the side wall bracket and the wall bracket meet at the rear wall.

Figure: Fitting onto a side wall with Terrazza Originale and Terrazza Sempra

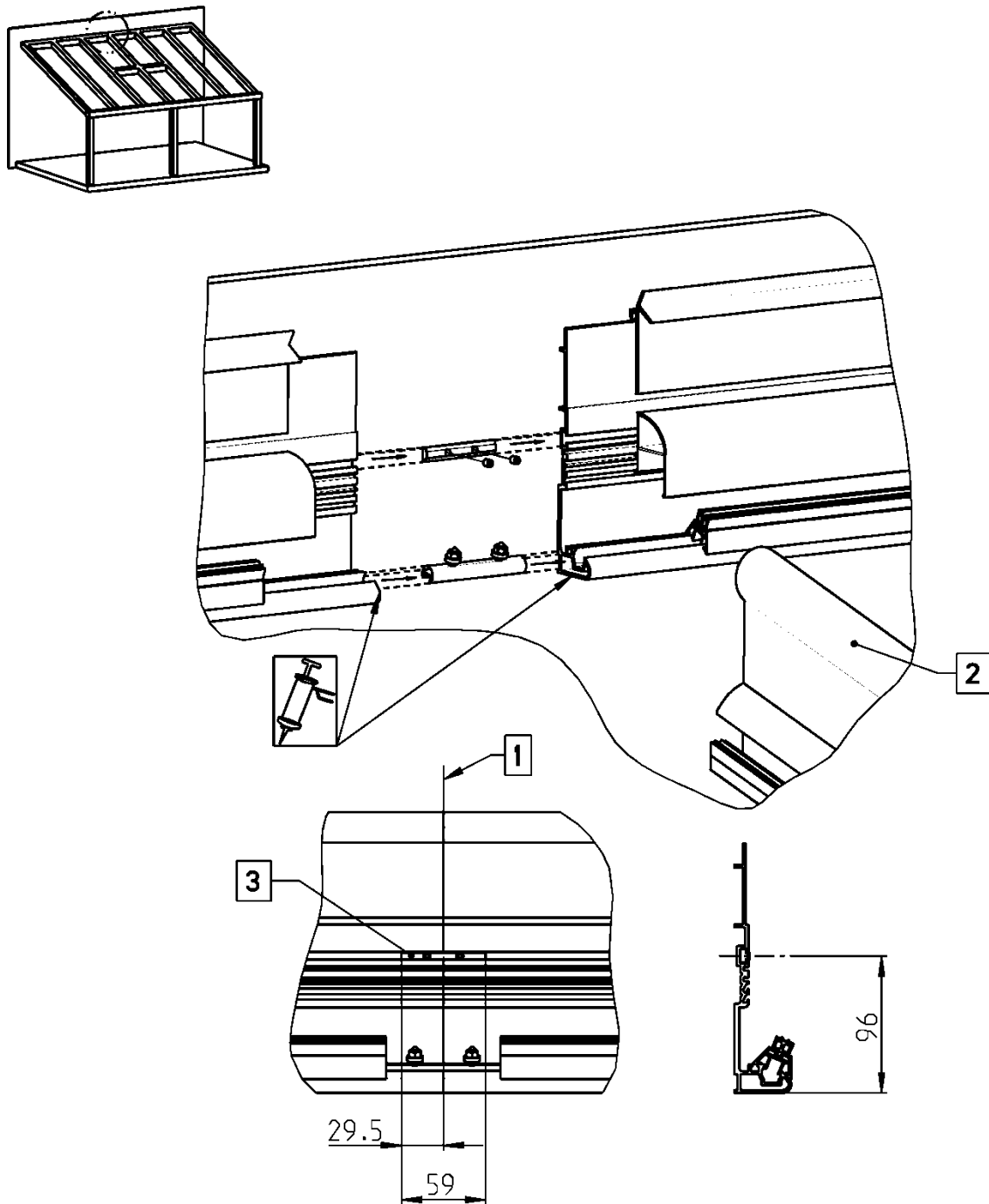


25 Affixing the plate to the roof support prior to fitting the roof support

3.13 Wall bracket coupling

- Thoroughly seal the coupling joint to ensure that water cannot enter the interior.

Figure: Wall bracket coupling using example of Terrazza Originale

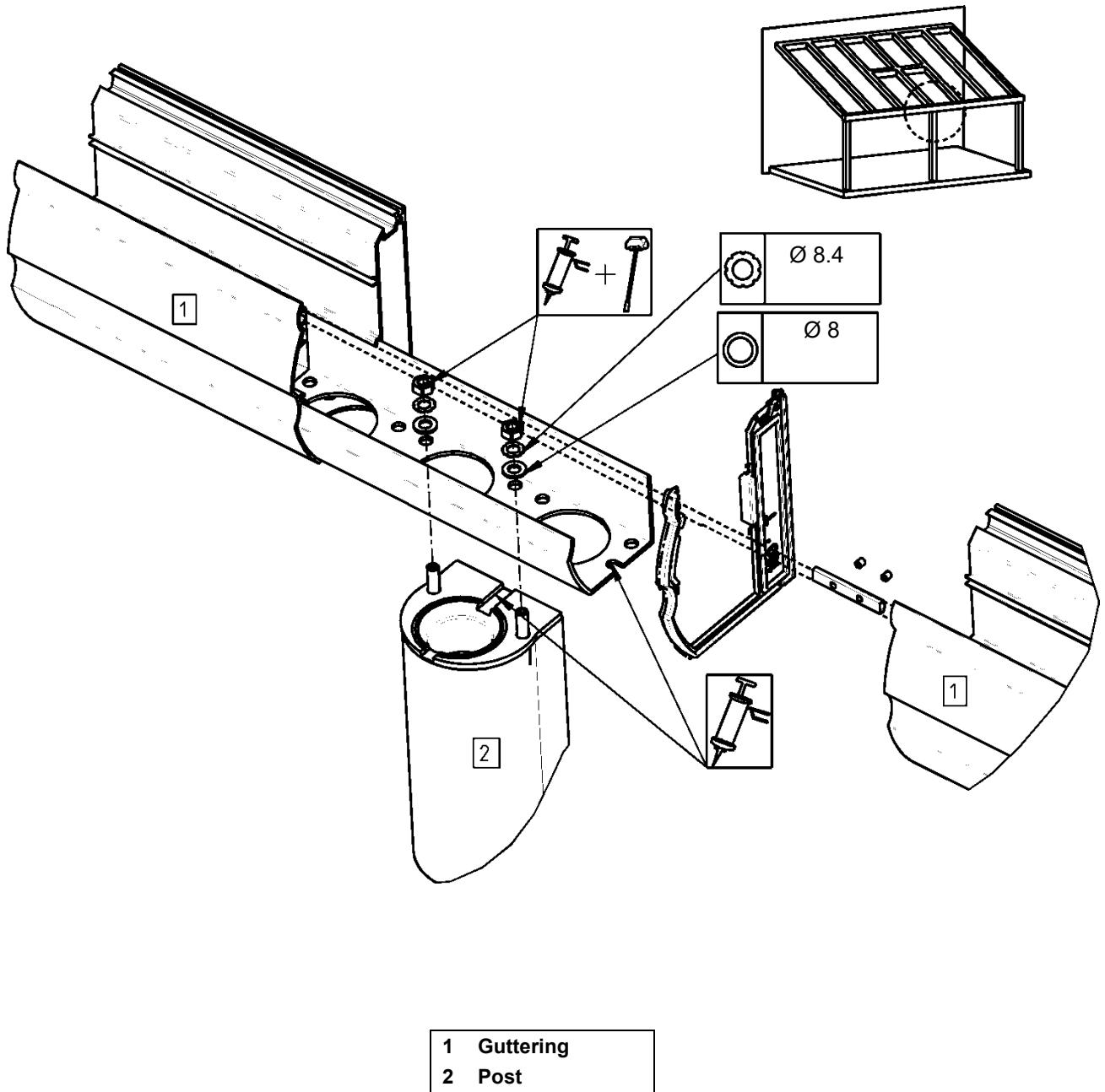


- 1 Coupling joint on wall bracket profiles
- 2 If coupling wall bracket profiles, the roof support does not necessarily need to be situated at the coupling joints
- 3 Location of the clamping slider in the wall bracket

3.14 Guttering coupling

- Connect the guttering to the coupling profile and caulk.
- Then place the guttering onto the post and screw in place.

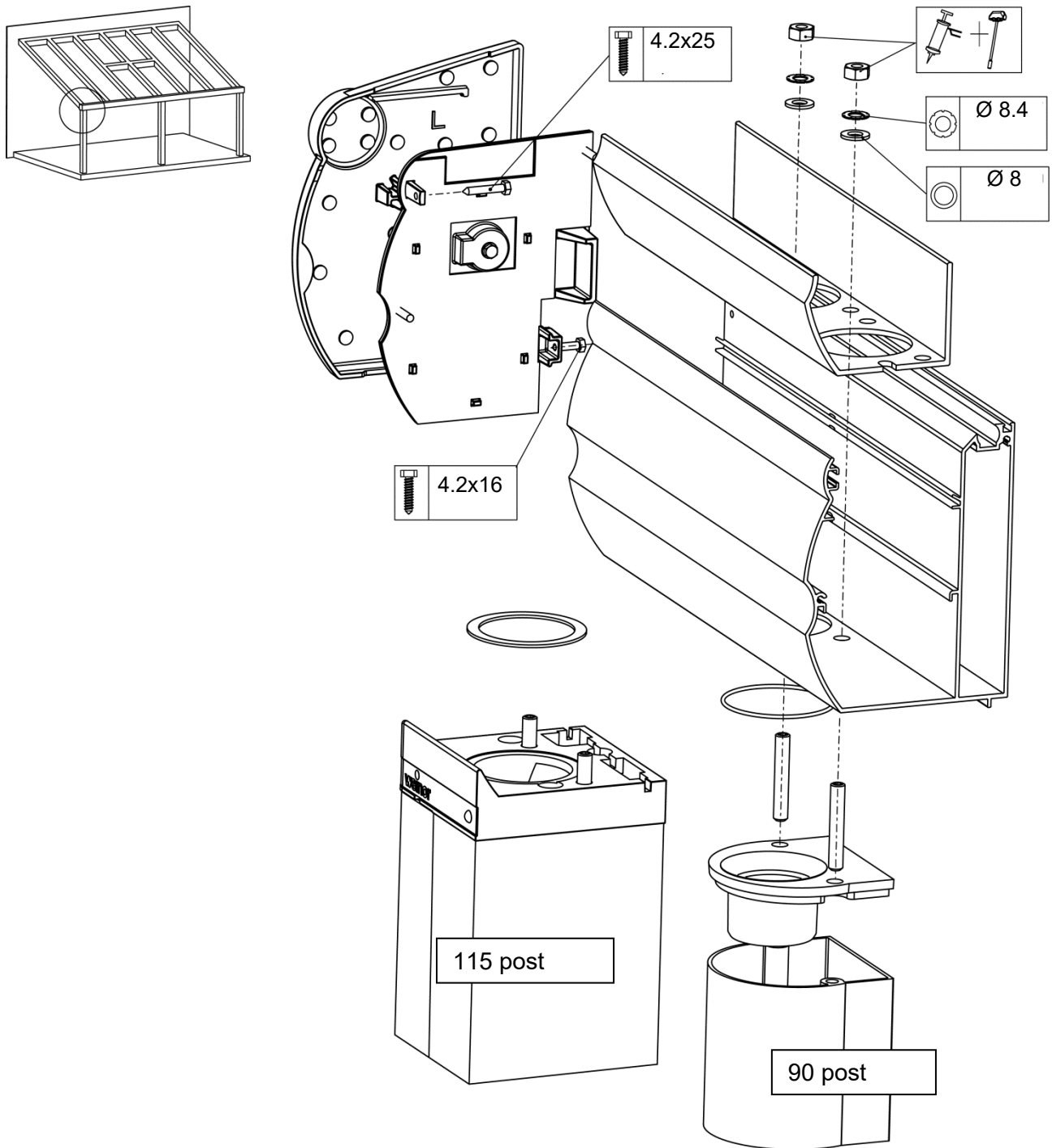
Figure: Guttering coupling using example of Terrazza Originale



3.15 Side-indented posts

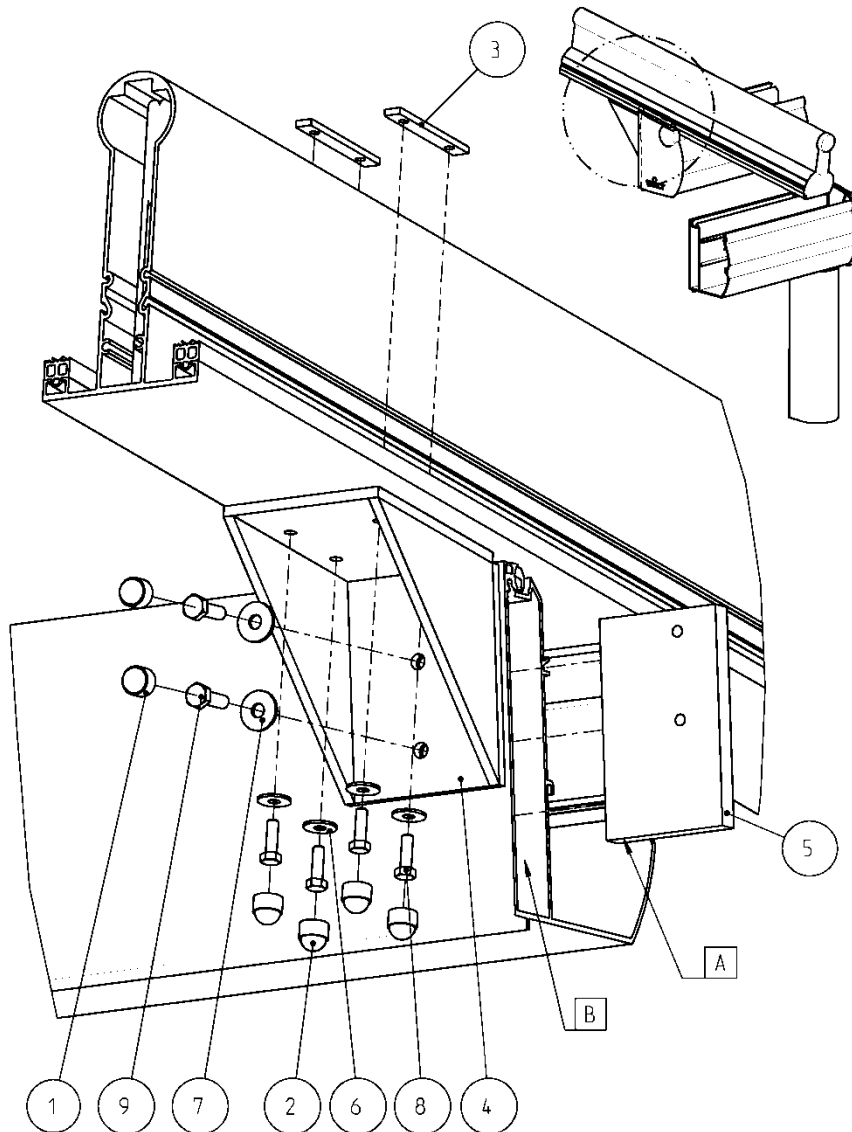
- The gutter coupling profile must be slid into the guttering before the cap can be glued on above all side-indented posts.
- The post is affixed to the guttering and the guttering coupling profile.

Figure: Side-indented posts using example of Terrazza Originale



3.16 Guttering offset

Figure: Guttering offset using example of Terrazza Originale

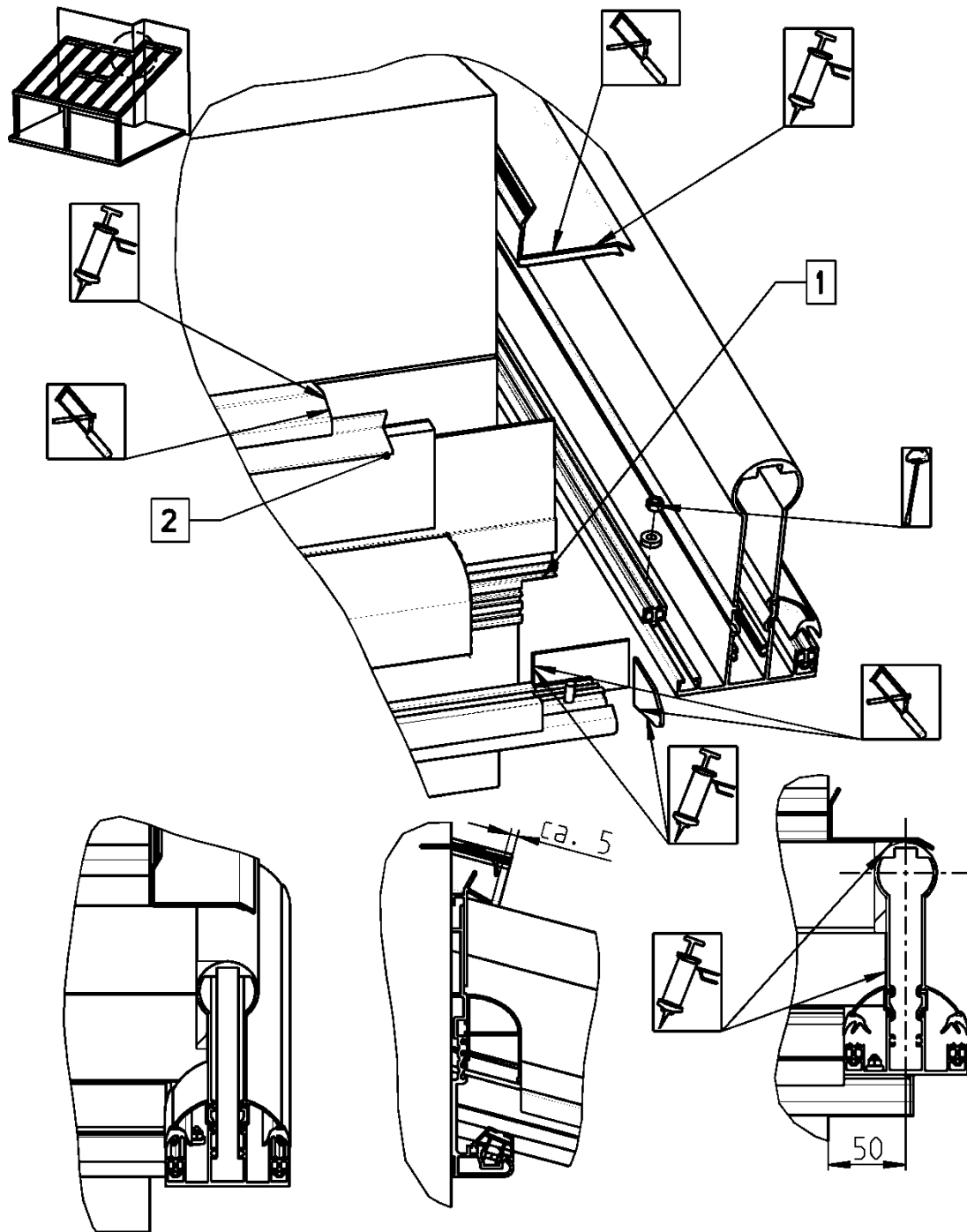


- | | |
|---|---|
| 1 | SW10 cover cap |
| 2 | SW6 cover cap |
| 3 | Clamp. slider 60x8x3 |
| 4 | Corner connector for roof support |
| 5 | Striker plate for corner connector |
| 6 | Ø 5.3 washer |
| 7 | Ø 6.4 washer |
| 8 | M5x16 hex socket head screw |
| 9 | M6x20 hex socket head screw |
| A | The striker plate must always be fitted in such a way that the short edges of the drilled holes ALWAYS point upwards and outwards! Check the drill hole positions! |
| B | Steel reinforcement on this side is 100 mm shorter than the guttering |

3.17 Affixing the roof support to the wall bracket on wall offsets

- Two wall offsets are created as mirror images for the balcony cutout.

Figure: Affixing roof support to the wall bracket with wall offset using example of Terrazza Originale

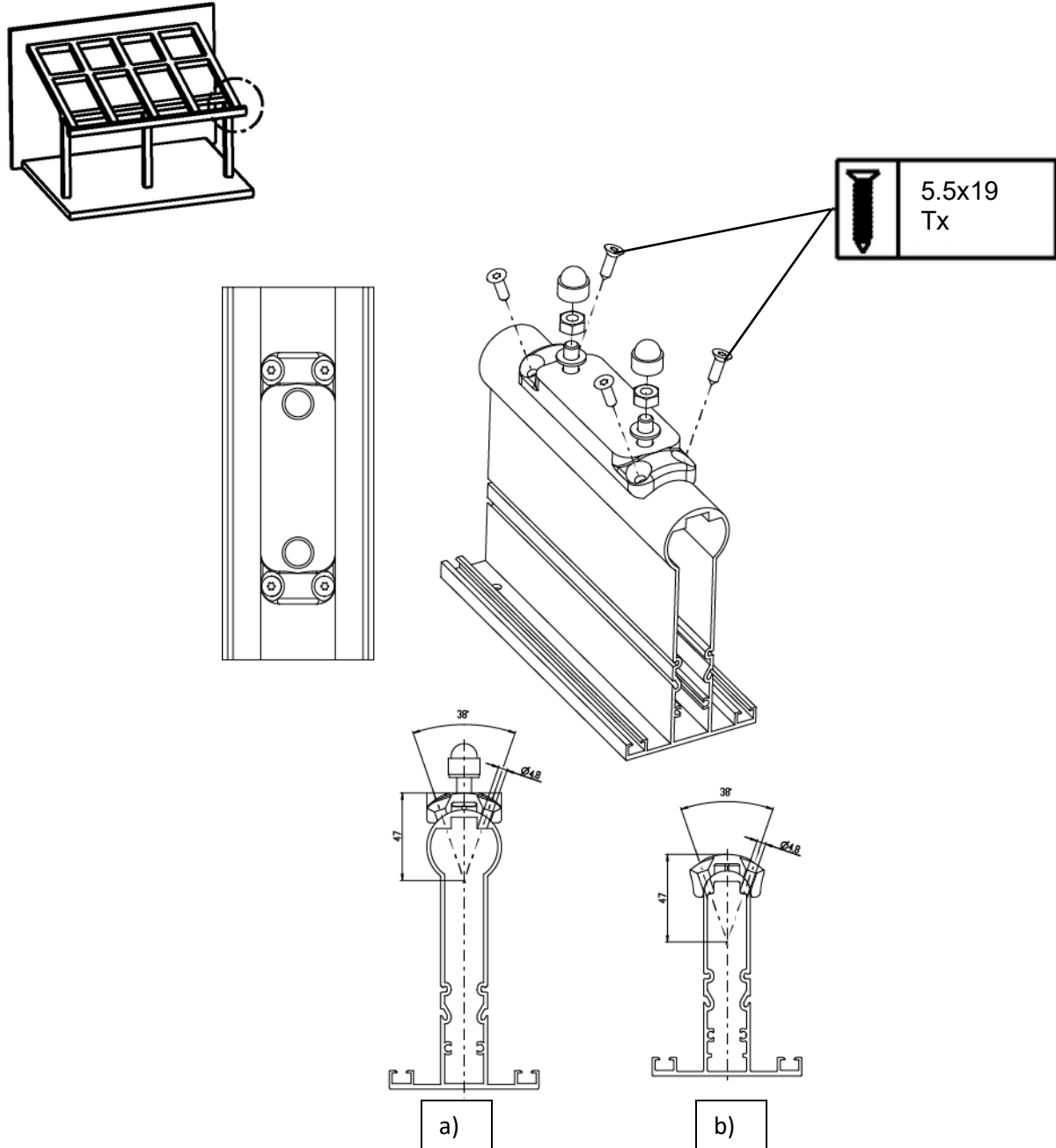


- | | |
|---|--|
| 1 | The notches are added to the wall bracket before leaving the factory |
| 2 | The notches on the top section of the wall bracket are added on-site |

3.18 Screwing the mounting plates to the roof supports

- Select the mounting plates that best suit the roof support in question.
- Determine where the mounting plates should be fitted onto the roof supports.
- Align the mounting plates and fix in place using e.g. a C clamp.
- Drill a 4.8 mm hole through the mounting plates and into the roof support and then screw in place using self-tapping screws.
- Be sure not to cause any leaks in the roof support when fitting the mounting plates.

Figure: Affixing the mounting plates to the roof support

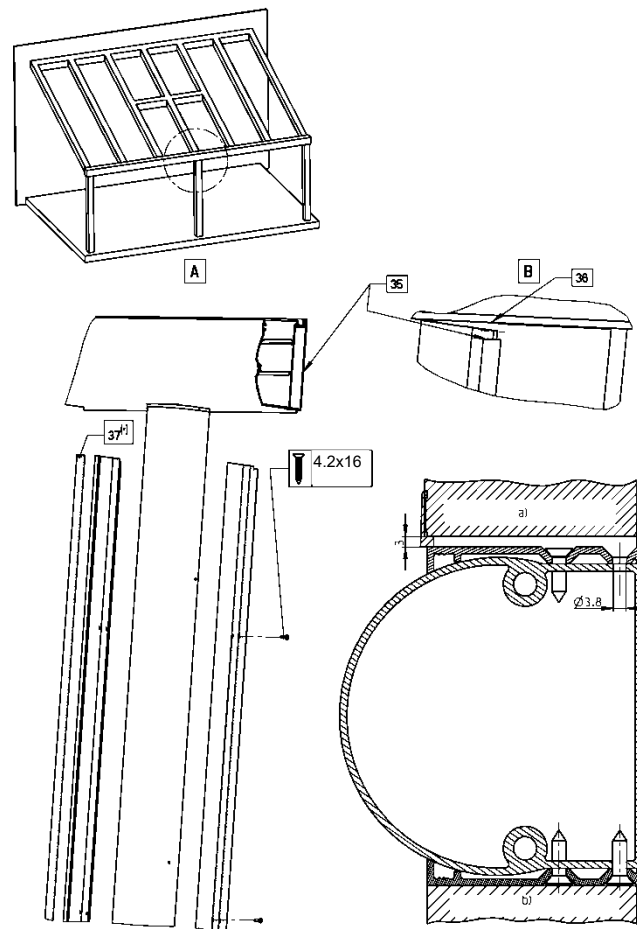


- | | |
|----|---|
| 1 | Support bracket mounting plate for roof support 150 |
| a) | Roof support 150 |
| b) | Roof support 110 |

3.19 Fitting attachment profiles for glazing elements

- An alternative method for fitting the glazing elements is to fit attachment profiles for the 90 posts.
- The attachment profiles are fitted to the sides of the 90 posts.
- The attachment profiles are trimmed to match the length of the 90 posts.
- At the top end, the attachment profiles will need to be notched on-site to accommodate the guttering stop.
- Drill \varnothing 3.8 mm holes into the 90 posts. Use the attachment profiles as a drilling template.
- Then screw the attachment profiles in place. Screws should be added approx. every 500 mm.
- If a gap should remain between the glazing elements and the attachment profiles, this can be optionally closed using the top profile.
- Be sure not to damage the 90 posts when fitting the attachment profiles and glazing elements.
- **Note:** The attachment profiles are not required with the 115 post.

Figure: Fitting the attachment profiles for glazing elements using example of Terrazza Originale

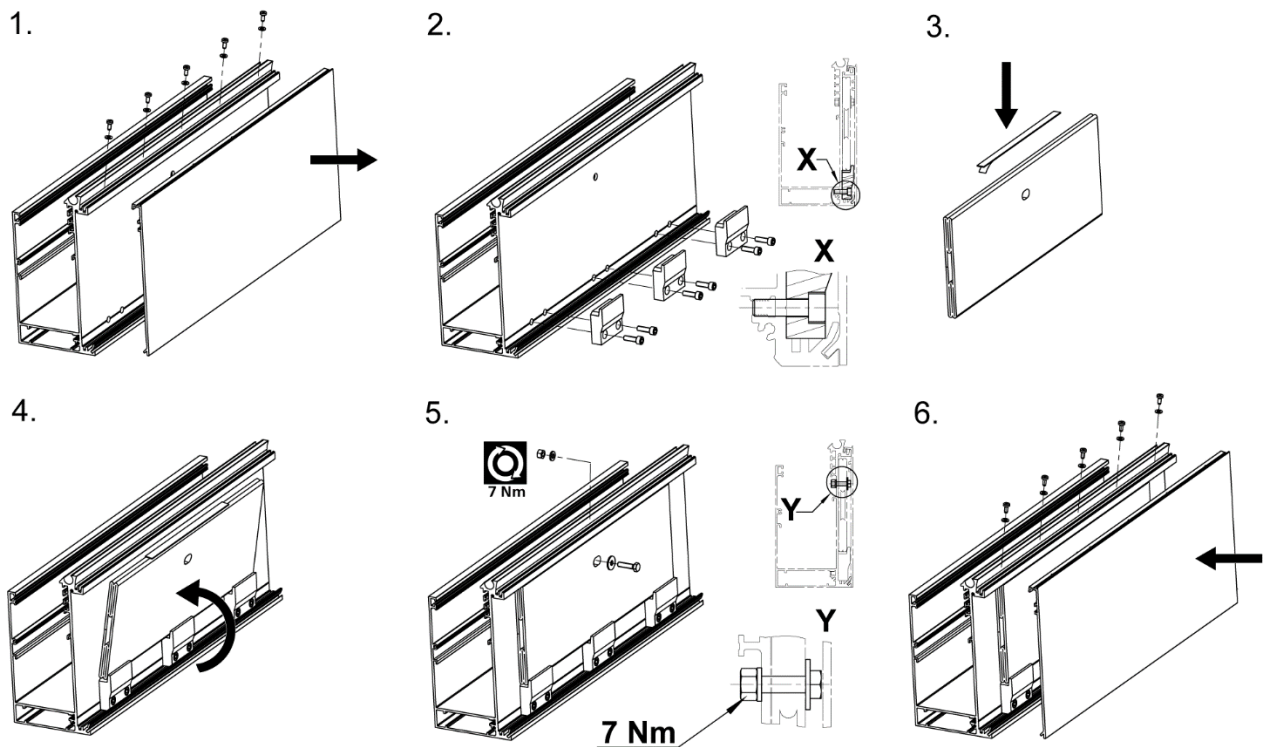


A	90 post in the centre
B	View from rear
a)	Glazing element with gap towards the attachment profile
b)	Glazing element
35	Cut a notch in the guttering here
36	guttering stop
27	Cover profile
(*)	Optional

3.20 Installation with loose steel 140

1. Unscrew the flat head bolts with hexalobular M4x10 and washers. Then, remove the gutter cover plate.
2. Screw the slide blocks onto the gutter with cylinder screws using hexagon socket M6x20.
3. Stick adhesive tape centrally onto the 140 steel.
4. Place the 140 steel slightly inclined on the slide blocks and press towards the gutter.
5. Attach it from the front with a M6x25 hex socket head screw and a washer and tighten it internally through the gutter with an M6 nut and washer with 7 Nm.
6. Place the gutter cover plate back onto the gutter and screw it tight.

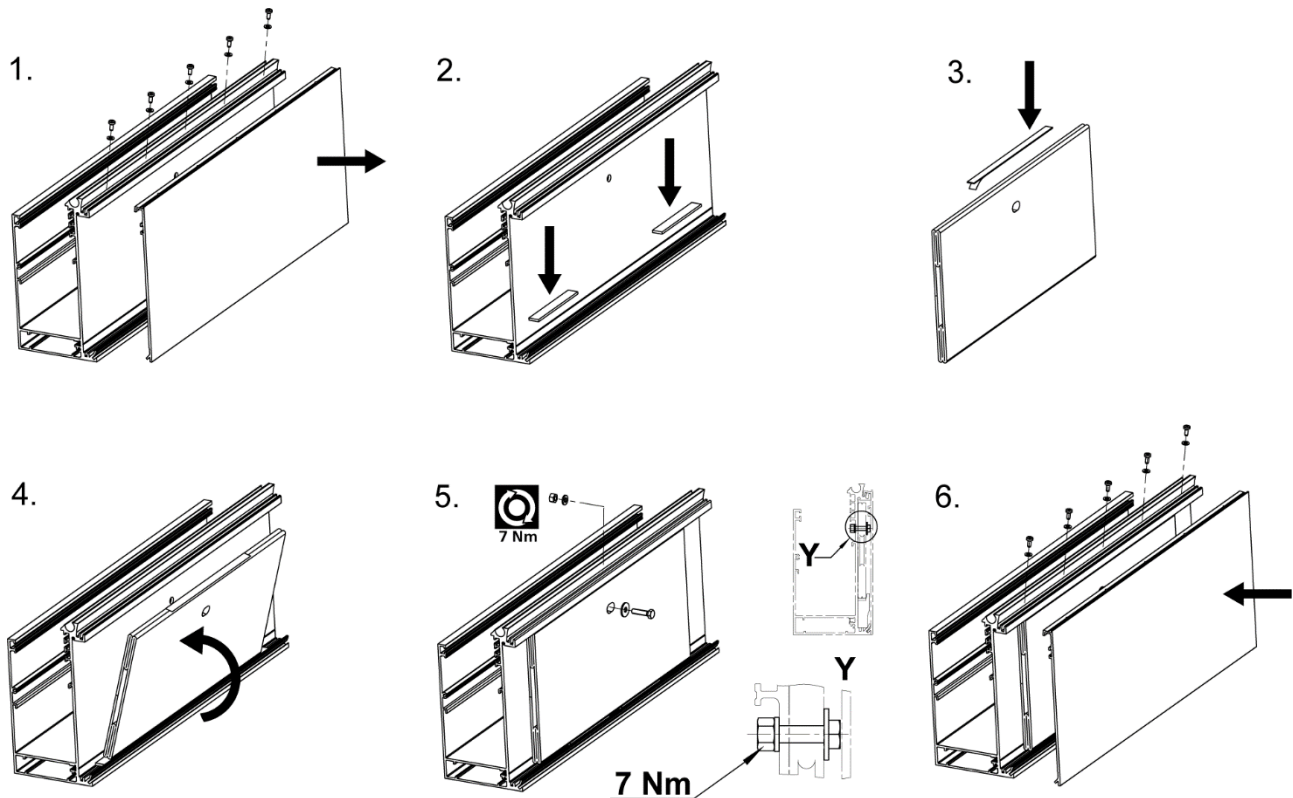
Figure: Installation with loose steel 140



3.21 Installation with loose steel 180

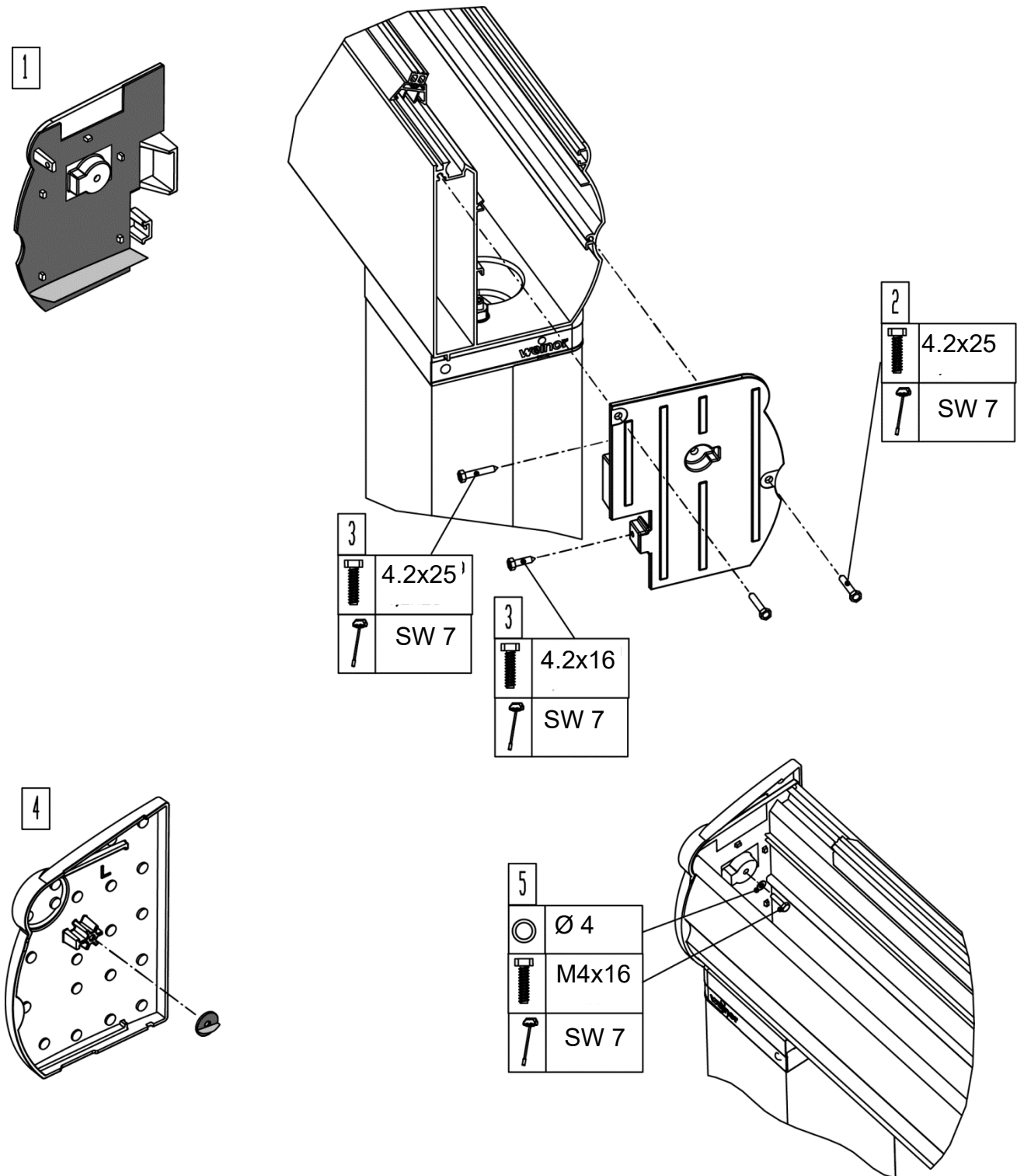
- 1 Unscrew the flat head bolts and washers with hexalobular M4x10. Then, remove the gutter cover plate.
- 2 Position the glazing blocks on the left and right of the guttering and attach with silicone if necessary.
- 3 Stick adhesive tape centrally onto the 180 steel.
- 4 Place the 180 steel slightly inclined on the glazing blocks and press towards the gutter.
- 5 Attach it from the front with a M6x25 hex socket head screw and a washer and tighten it internally through the gutter with an M6 nut and washer with 7 Nm.
- 6 Place the gutter cover plate back onto the gutter and screw it tight.

Figure: Installation with loose steel 180



3.22 Fitting the guttering cover cap

Figure: Fitting the guttering cover cap with Terrazza Originale

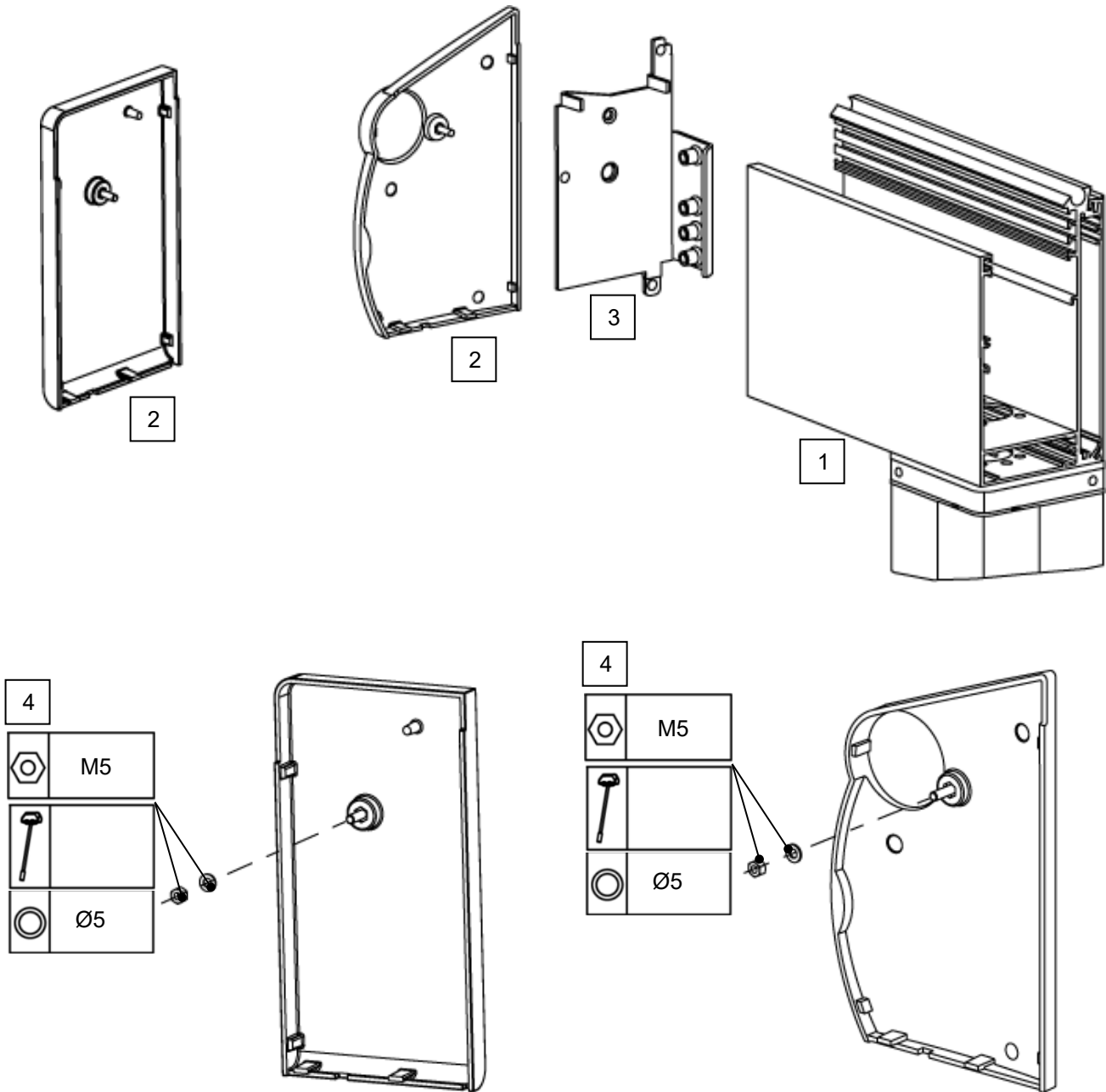


- 1 Remove the protective film from inside the guttering cover cap.
- 2 Affix the guttering cover cap inside to the sides of the guttering and screw on from the outside.
- 3 Screw on from inside.
- 4 Remove the protective film from one side of the supplied contour sealing compound and stick it on the outside of the guttering cover cap stud.
- 5 Affix the outside of the guttering cover cap to the inside of the guttering cover cap and screw on.

Figure: Fitting the 220 guttering cover cap with Terrazza Originale and Terrazza Sempra

Terrazza Sempra

Terrazza Originale

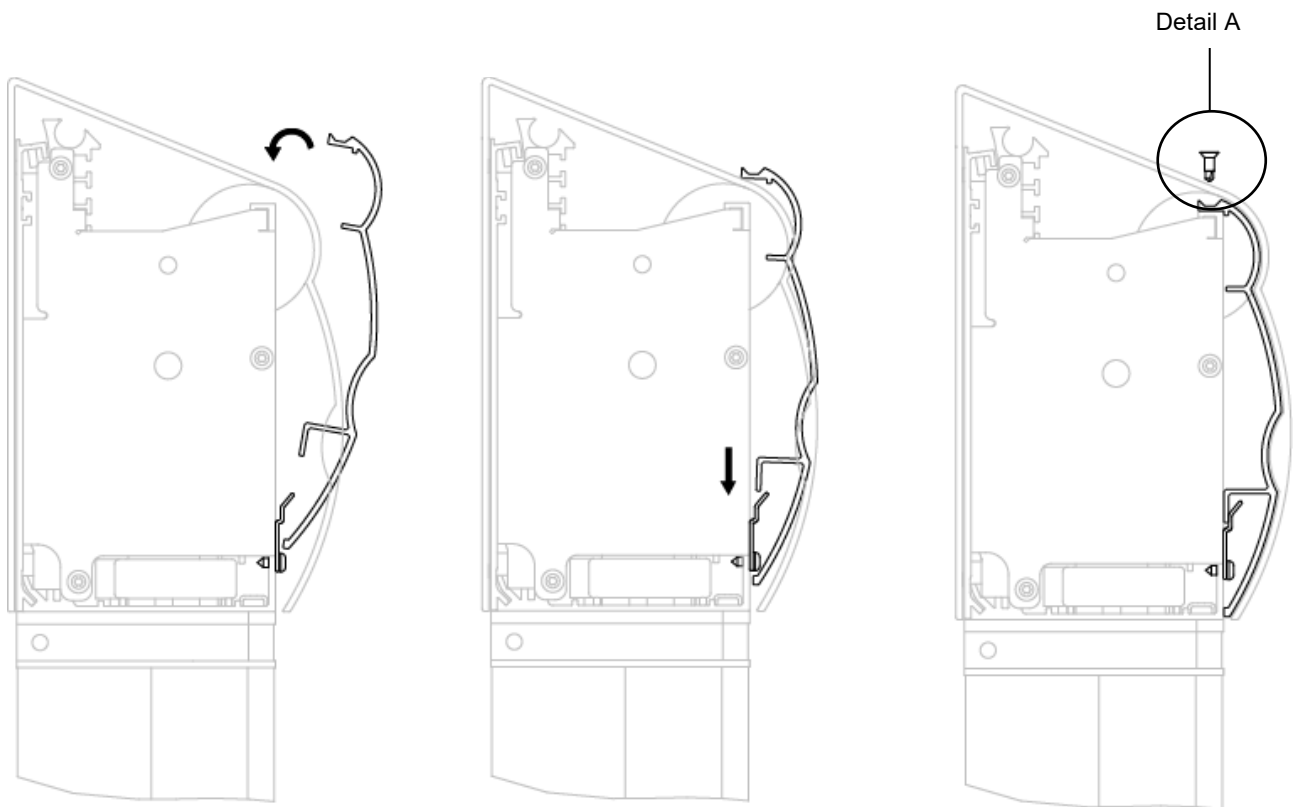
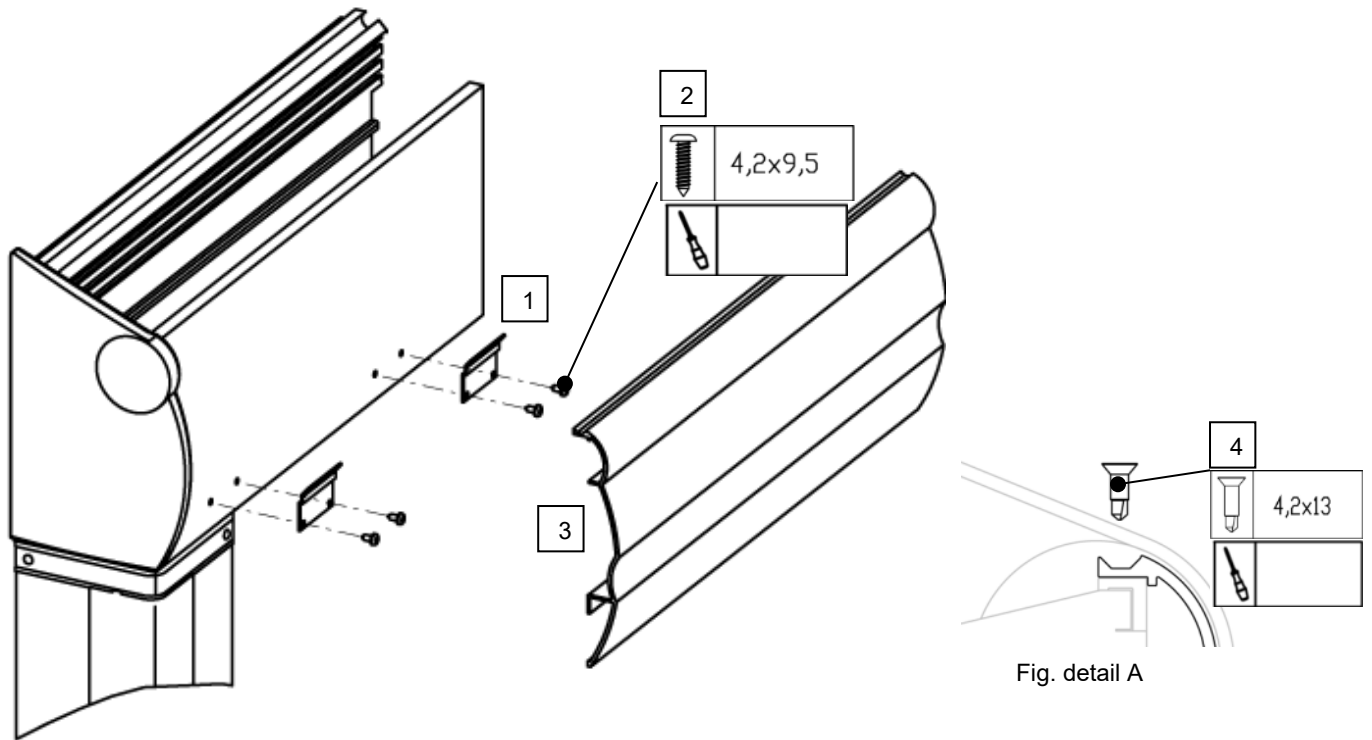


Place the outside of the guttering cover cap (2) on the inside of the guttering cover cap (3) and fix the guttering from inside (1) using the Ø5 washer and M5 nut (4).

Note:
The inside guttering cover cap (3) is already installed on the 220 guttering on delivery.

3.22.1 Fitting the round cover cap with 220 guttering

Figure: Fitting the round cover cap only with Terrazza Originale



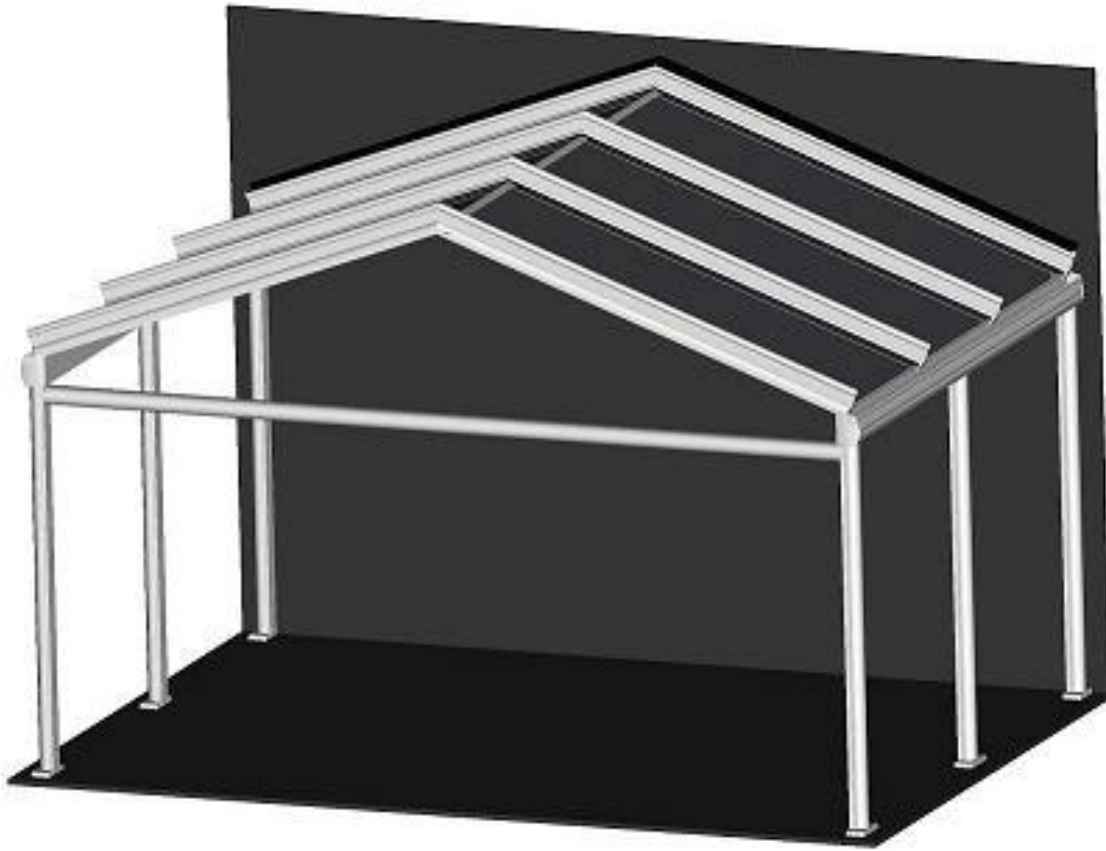
Screw the round cover profile bracket (1) onto the guttering using the 4.2 x 9.5 Fillister head self-tapping screws (2).

Place the round cover profile (3) on the bracket (1).

Fix the round cover profile (3) at the top using a 4.2 x 13 Fillister head drilling screw (4) (see detail).

4 Terrazza Originale gable roof

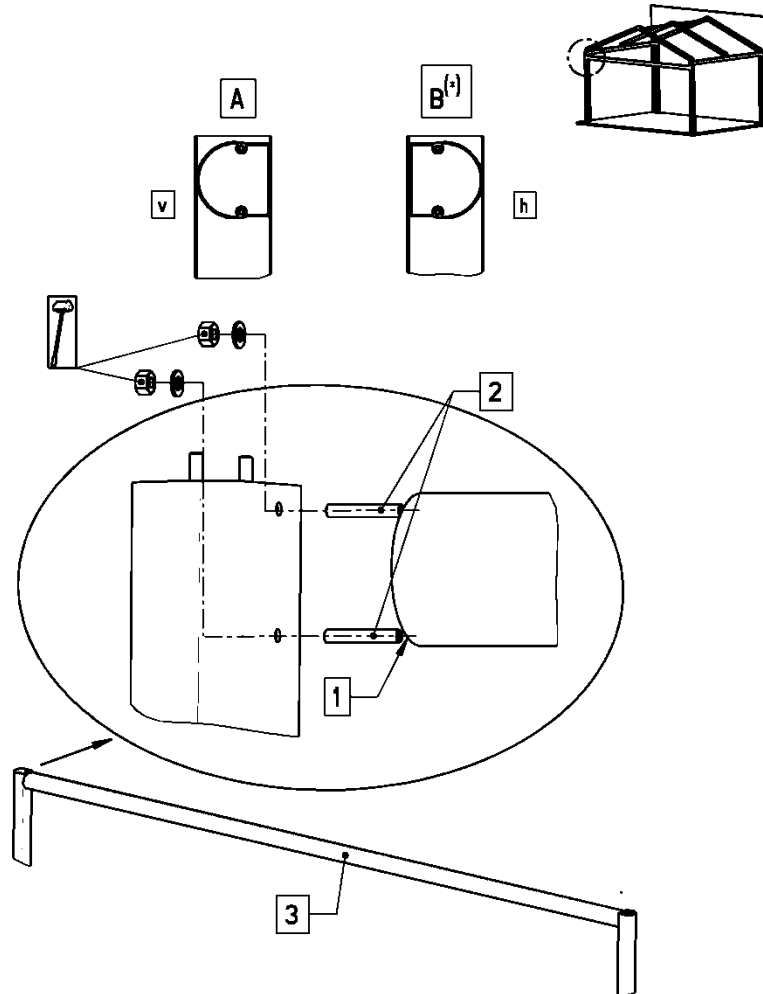
These assembly instructions contain features specific to the gable roof only. For all other installation details, please consult the standard assembly instructions for the Terrazza.



4.1 Fitting the locking bar

Figure: Fitting the locking bar

- For information on the front-mounted guttering wall bracket and guttering wall bracket options, please consult the relevant sections.
- If taking the guttering wall bracket option, the front and rear locking bars are not used; if taking the front-mounted guttering wall bracket option, the rear locking bar is not used.
- Begin by fitting a post as a locking bar between the front two posts on the left and right, and then erect the posts.
- Then erect the rear posts. Also use one post here as a locking bar between the posts if this option is being used.
- Then affix the guttering to the posts.
- If using the front locking bar, the round part of the post should be facing the front.
- If using the rear locking bar (optional), the round part of the post should be facing the rear.

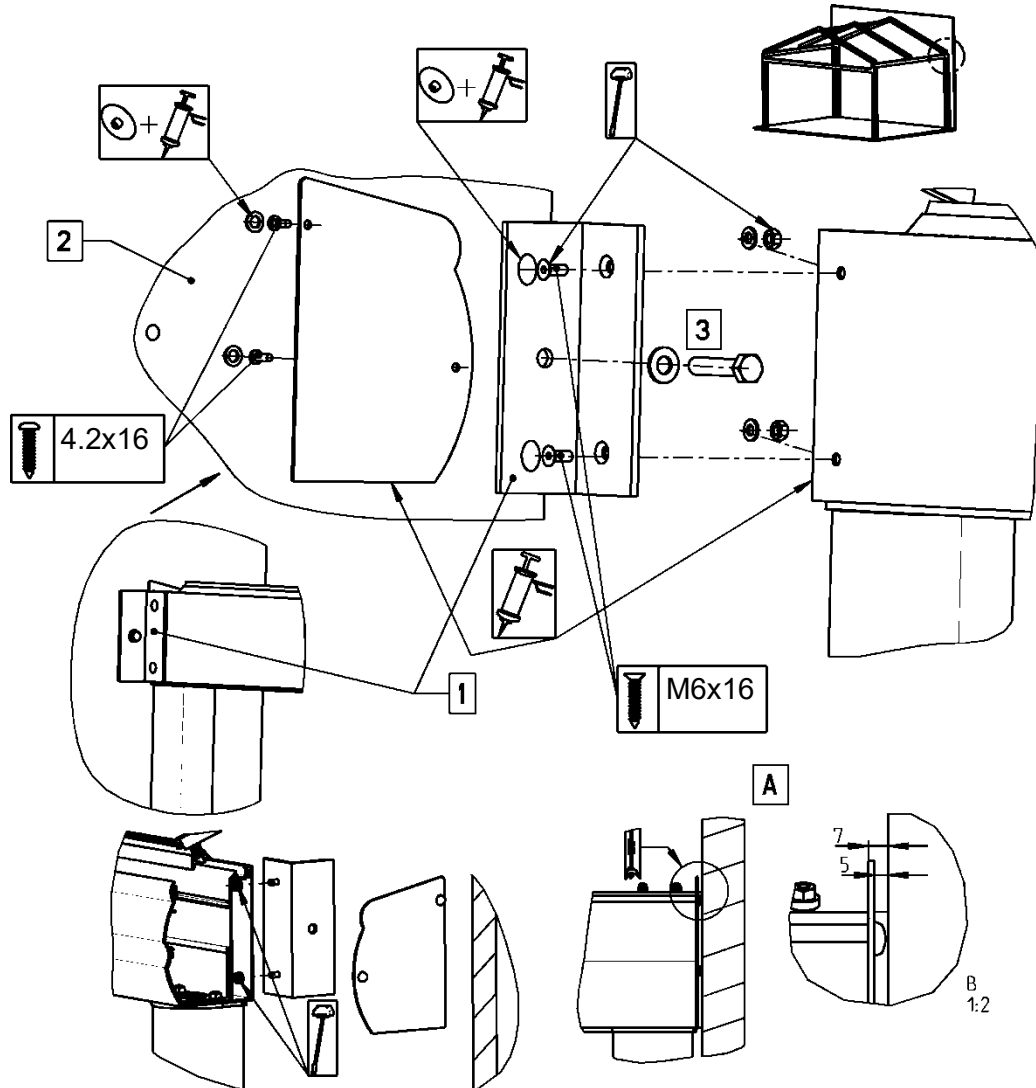


- | | |
|---|--|
| 1 | Tap 2 x M8 threads approx. 35 mm deep into the screw channels on the both sides of the posts |
| 2 | Screw the threads approx. 35 mm deep into both sides of the posts |
| 3 | Locking bar |
| A | Front locking bar |
| B | Rear locking bar, optional |
| v | Front |
| h | Rear |

4.2 Gutter-to-wall anchorage

- When fitting the gable roof to the wall, always ensure that the roof fits snugly to the wall to prevent the gable roof moving on the building structure. This will require bolting the guttering to the wall on-site using the gutter-to-wall anchorage.
- Once the guttering is fitted to the posts, screw the guttering cover plate to the guttering and then seal.
- Then affix the guttering to the wall using the gutter-to-wall anchorage.
- When choosing the screw fittings to attach the gutter-to-wall anchorage to the wall, always take into account the on-site building conditions.

Figure: Gutter-to-wall anchorage

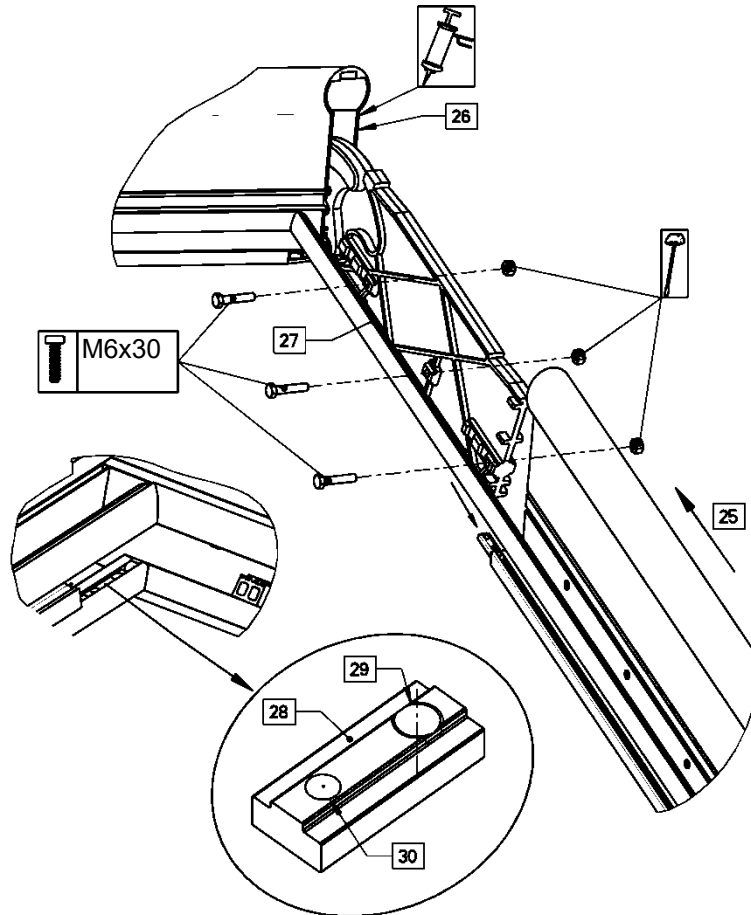


- | | |
|----------|---|
| 1 | Gutter-to-wall anchorage |
| 2 | Wall |
| 3 | Screws fitted on-site |
| A | Spacing between guttering and wall |

4.3 Fitting the roof support to the corner connector

- Before the roof supports can be screwed together, the clamping sliders for the transoms must first be inserted into the groove on the roof support. When doing this, make sure that the clamping sliders are in the right position.
- Coat the front of the roof supports along the ridge with a suitable adhesive and sealant.
- Slide the roof supports onto the corner connectors and, if necessary, gently tap in place using a rubber mallet until the two roof supports fit together snugly.
- Screw the roof support onto the corner connector.
- Then clean off any residual adhesive and sealant along the joints on the outside of the roof supports.

Figure: Fitting the roof support to the corner connector

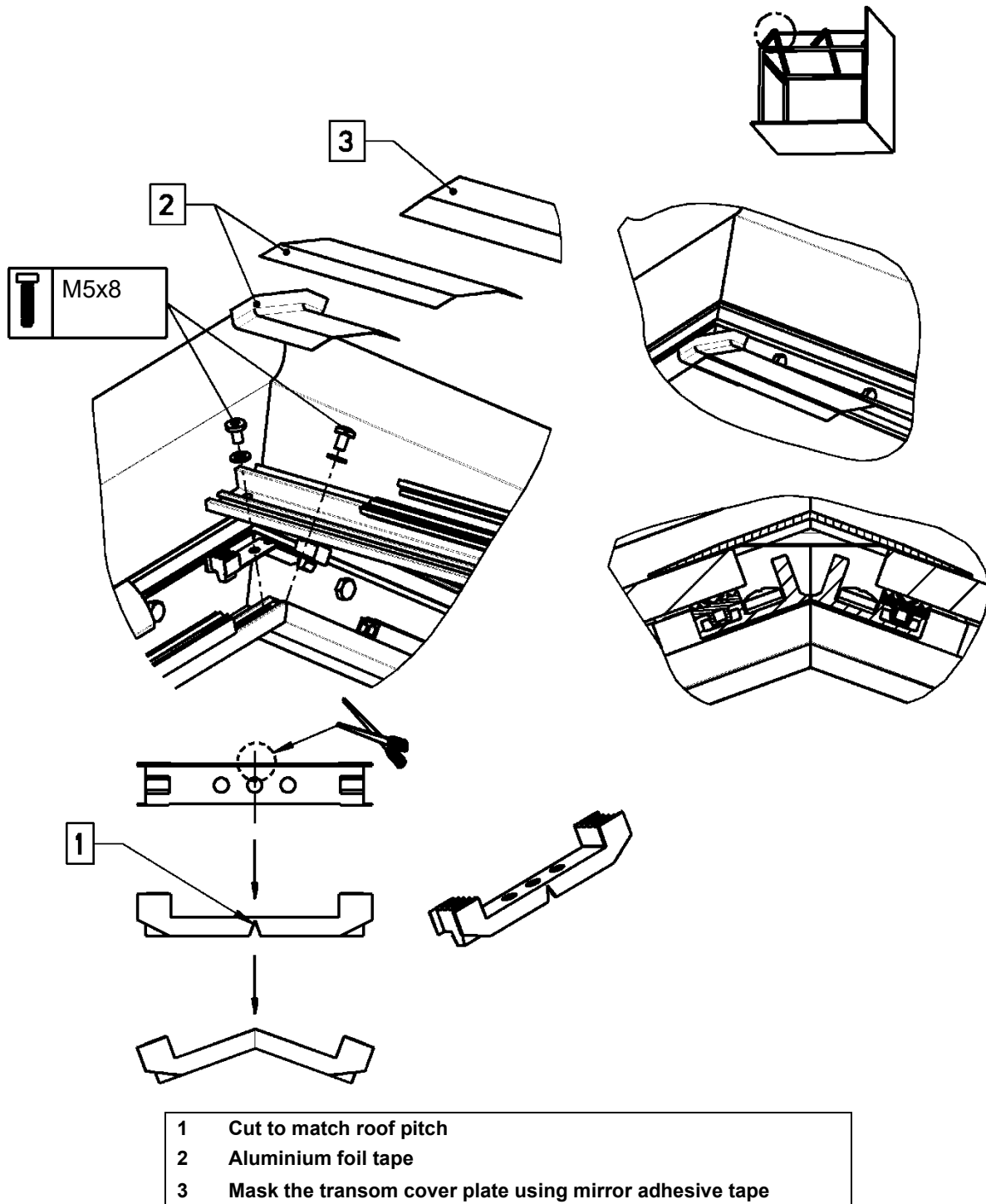


25	Slide the roof support onto the corner connector and affix with screws
26	Once these are connected, clean off any residual adhesive and sealant on the outside of the roof support
27	Corner connector
28	Fixing slider
29	Tapped hole; facing the ridge
30	Countersunk hole; facing lower end of roof support

4.4 Fitting the transom to the ridge

- Screw the transom onto the roof support.
- Before masking with aluminium foil tape, clean the edges of the glass panes using acetone.
- Use 80-mm wide aluminium foil tape and cut clean strips.
- Trim the aluminium concealing tape to the right width if necessary.

Figure: Fitting the transom to the ridge



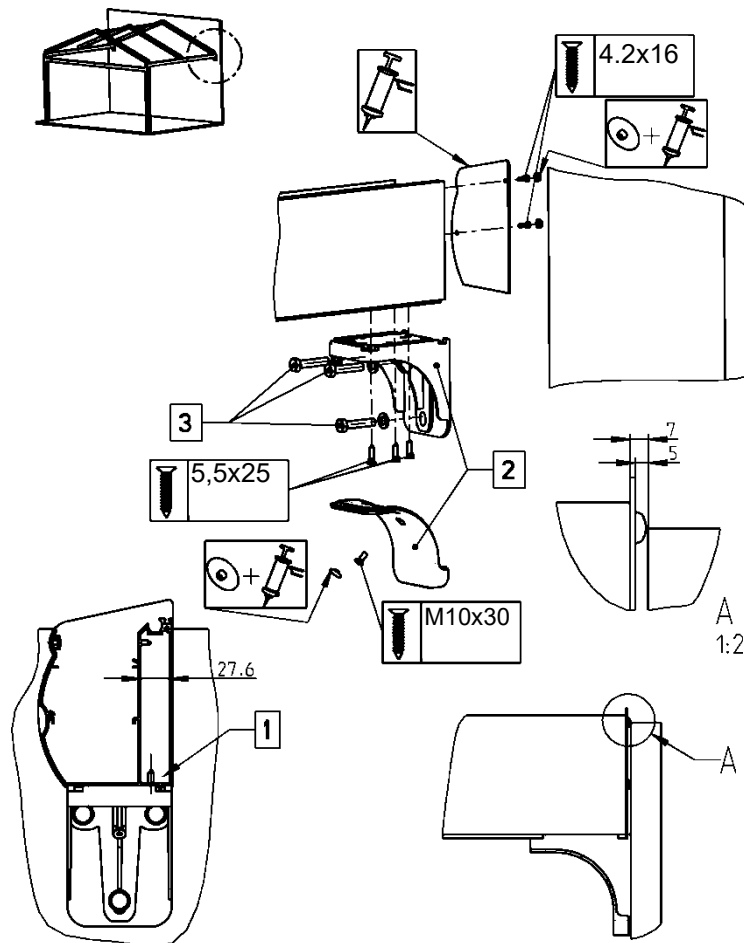
4.5 Fitting the front-mounted guttering wall bracket

- If the guttering abuts against a wall at the front, the guttering can be affixed to the wall using the guttering angle bracket. The angle bracket is optional.
- At this point in time, no posts are used here.
- The task of bolting the guttering angle bracket to the wall and the guttering is performed on-site.

Fitting to the wall: The appropriate screw fittings must be determined at the site of installation based on the state of the building and structural safety.

Fitting to the guttering: The holes required to attach the angle bracket to the guttering must be drilled into the guttering on-site. To do this, place the guttering against the angle brackets fitted to the wall. Then align the guttering and, using the angle brackets, mark where the holes are to be drilled and drill the holes. When doing this, be sure not to cause any leaks in the gutter.

Figure: Fitting the front-mounted guttering wall bracket

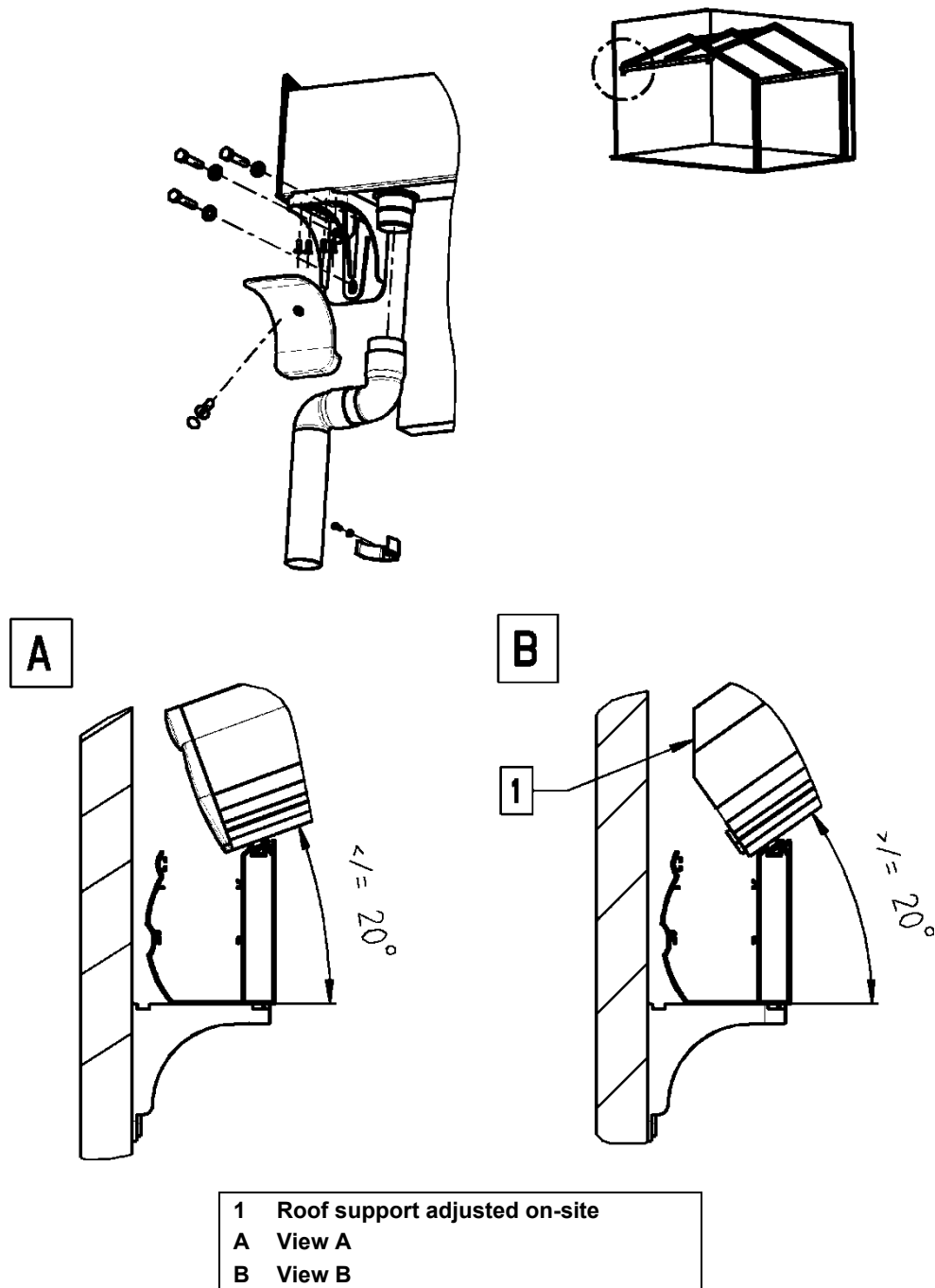


- | | |
|---|---|
| 1 | Only drill into this area of the guttering; the diameter of the drill holes must match the screws provided |
| 2 | Guttering angle bracket, to be fitted on-site
Cover cap for guttering angle bracket, to be fitted on-site |
| 3 | Screws for wall installation; to be selected on-site based on state of building and structural safety requirements. |

4.6 Fitting the guttering wall bracket

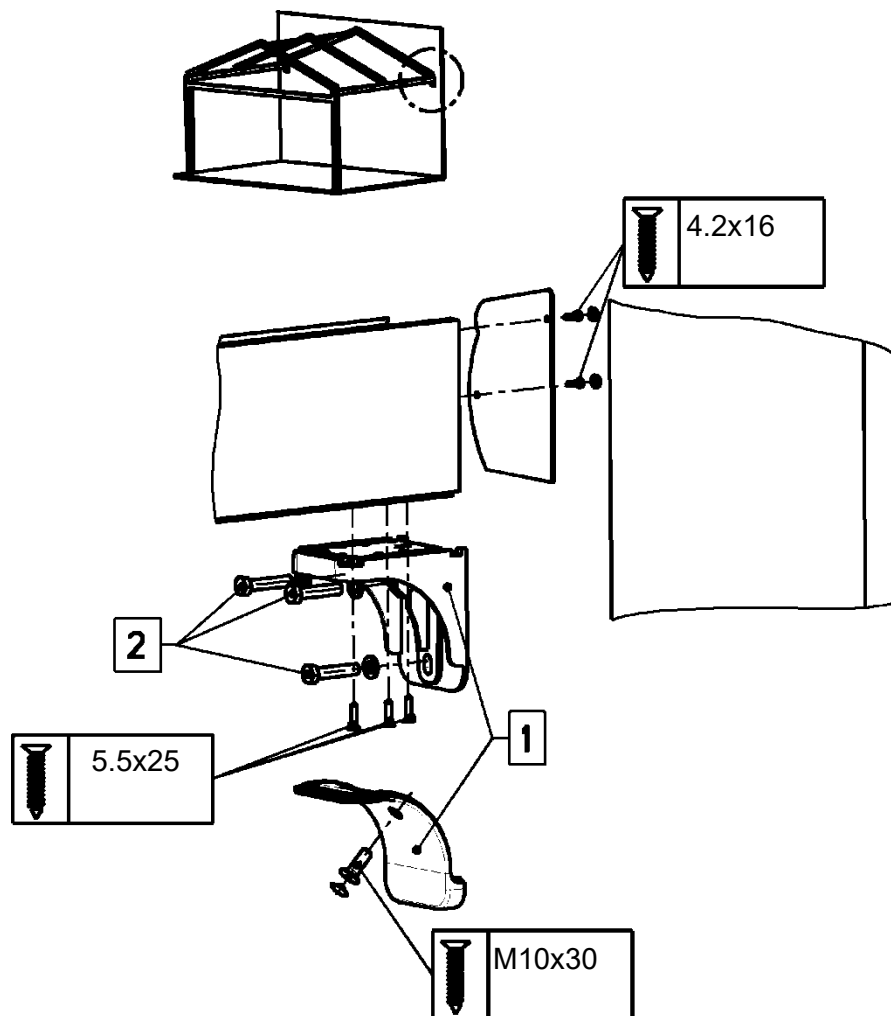
- If the guttering abuts against a side wall, the guttering can be affixed to the wall using guttering angle brackets. The angle bracket is optional.
- At this point in time, no posts are used here.
- The number of angle brackets with caps must, at a minimum, tally with the number of posts. The distance between the angle brackets must be no greater than what the distance between the posts would be. The angle brackets are positioned where the posts go.
- The drain leading from the guttering is added at the front, next to the guttering angle bracket.
- The task of bolting the angle bracket to the wall and the guttering is performed on-site. Be sure not to cause any leaks in the guttering when drilling the holes.
- The screws required to affix the angle bracket to the wall must be determined on-site based on the state of the building and structural safety requirements. A bag of screws needed to attach the angle bracket to the gutter is supplied.
- First fit the angle brackets to the wall. Then place the gutter against the angle brackets and align. Using the angle brackets, determine where holes need to be drilled to attach the guttering to the angle brackets and then drill the holes into the gutter.
- Once this is done, screw the angle brackets onto the gutter.
- This option can be performed with no additional time and effort if the roof is pitched at no more than 20° (see Figure A).
- If the roof pitch exceeds 20°, the roof supports will need to be adapted on-site (see Figure B).
- In this case, the roof support cover caps can no longer be used. The roof supports will need to be covered and sealed on-site.

Figure: Fitting the guttering wall bracket



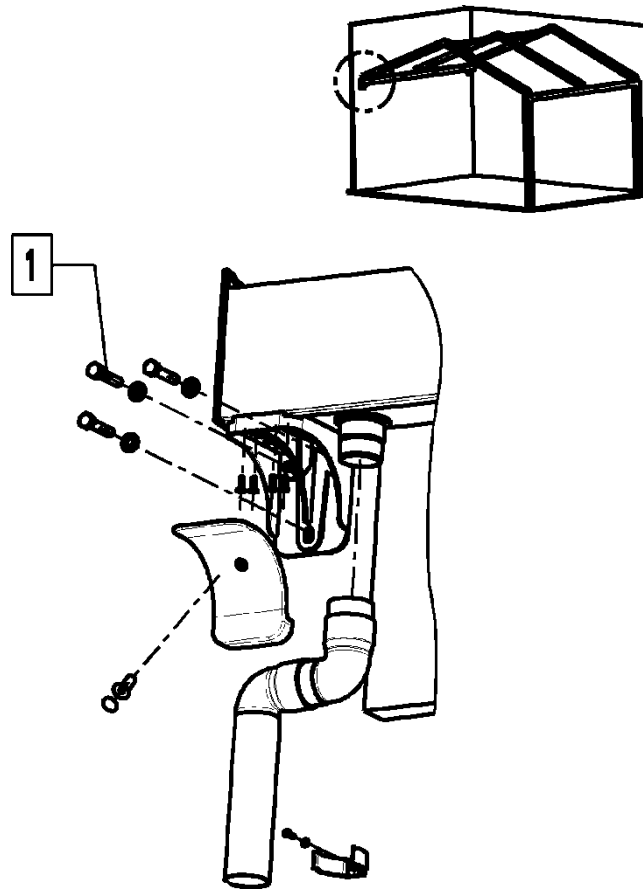
4.7 Exploded drawing - Options

Figure: Front-mounted guttering wall bracket



- | | |
|---|--|
| 1 | Guttering angle bracket; guttering angle bracket cover cap |
| 2 | Screws for wall installation; select on-site |

Figure: Guttering wall bracket

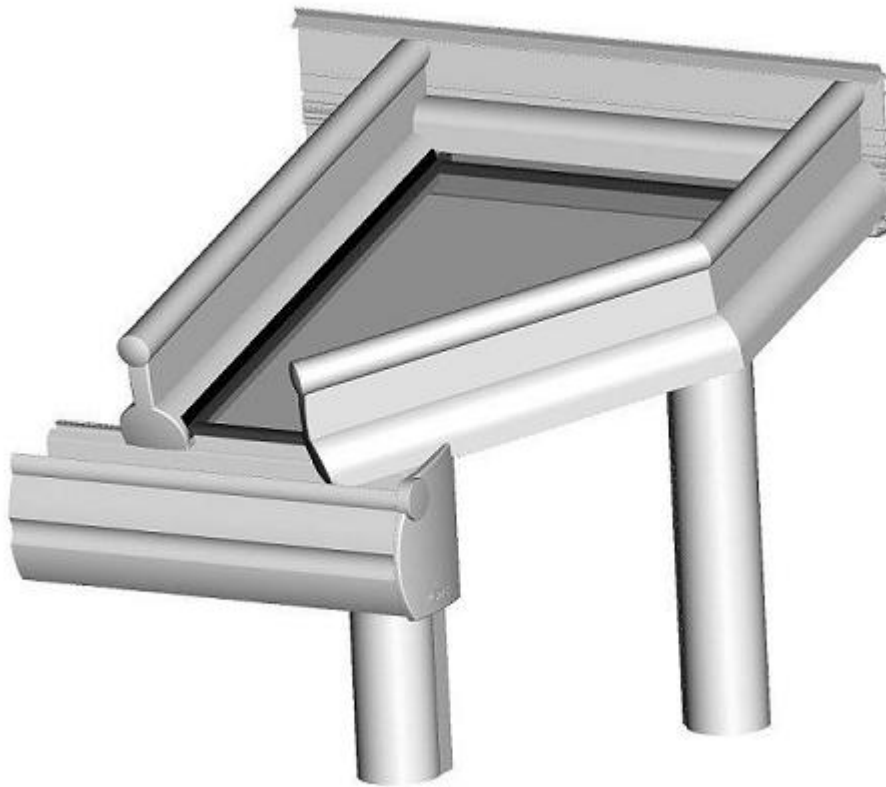


1 Screws for wall installation; select on-site

5 Installation notes for custom-shaped roofs

5.1 Terrazza Originale type B / Type B head elements

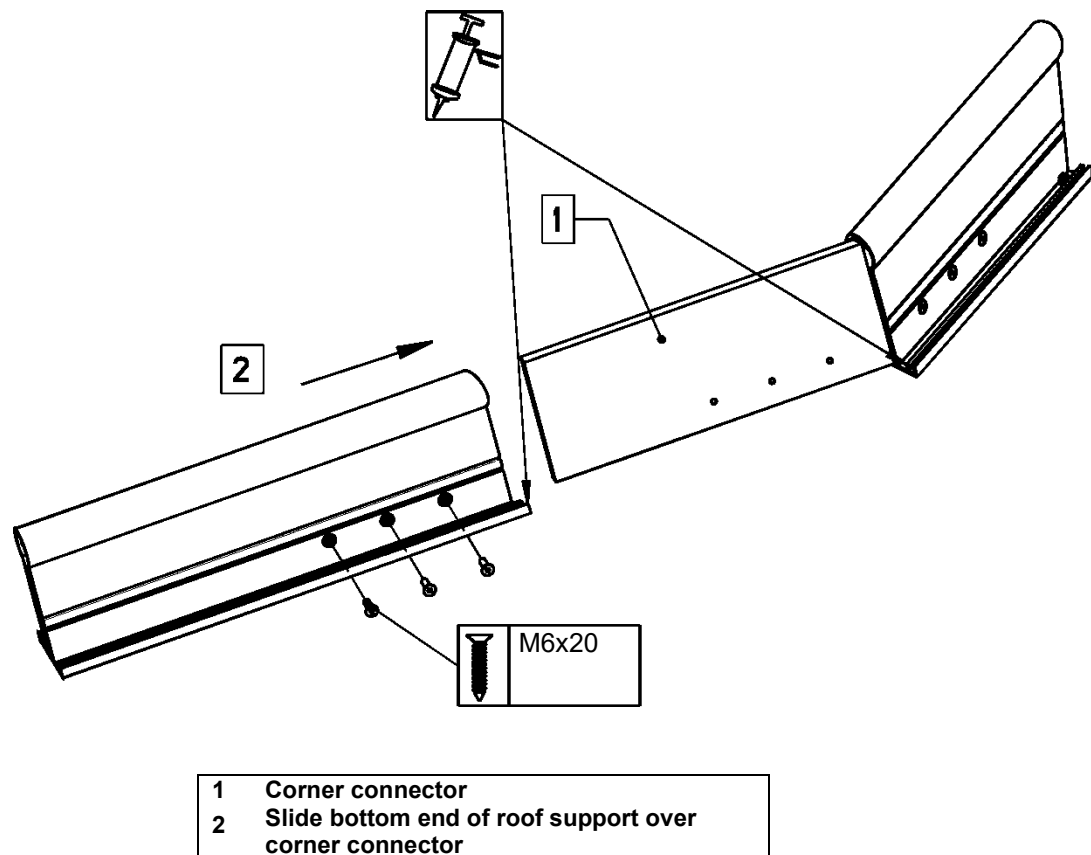
These assembly instructions contain features specific to the type B only. For all other installation details, please consult the standard assembly instructions for the Terrazza.



5.1.1 Assembling the kinked side roof support

- The two parts making up the side roof support will need to be fitted and sealed on-site.
- Apply a suitable adhesive and sealant to the join between the two parts.
- Then slide the bottom end of the side roof support over the corner connector and screw the two roof support parts together.

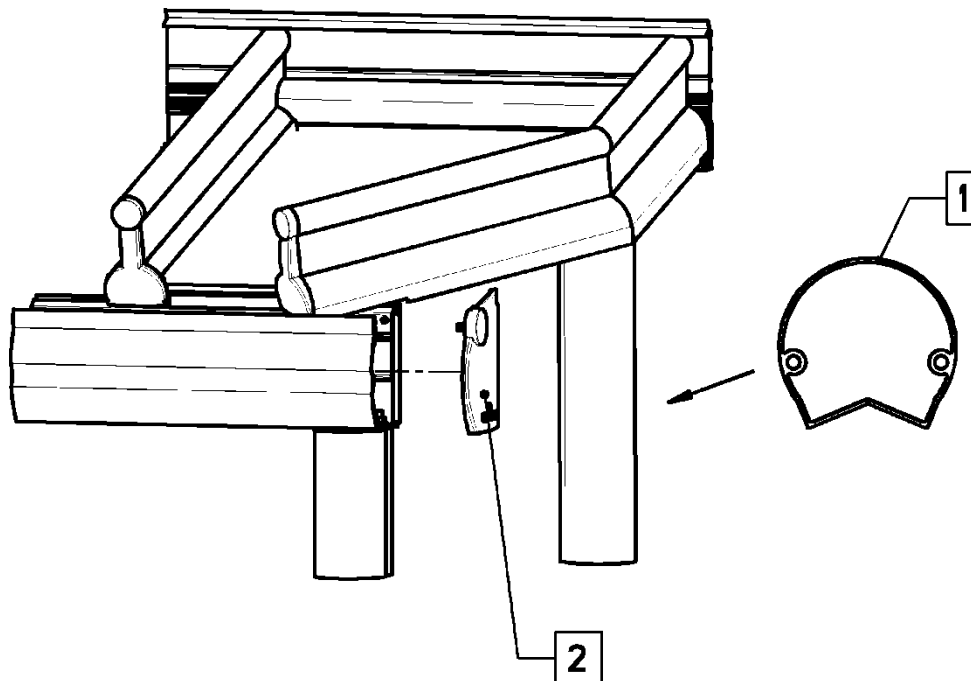
Figure: Assembling the side roof support



5.1.2 Fitting the kinked side roof support

- Before fitting the kinked side roof support, check to ensure that the gutter cap has not been fitted to the gutter yet. The gutter cap should only be fitted after the kinked side roof support has been fitted.
- The kinked side roof support with attached clamping slider affixes to the wall bracket and guttering.
- Before laying the roof covering, make sure that the kinked side roof support is adequately supported underneath the Knick.
- This can also be done using the 135° post or 135° corner profile, both of which are available through weinor as optional extras.
- Adjust the profiles on-site and screw onto the kinked side roof support and the foundations.

Figure: Fitting the 135° post underneath the side roof support

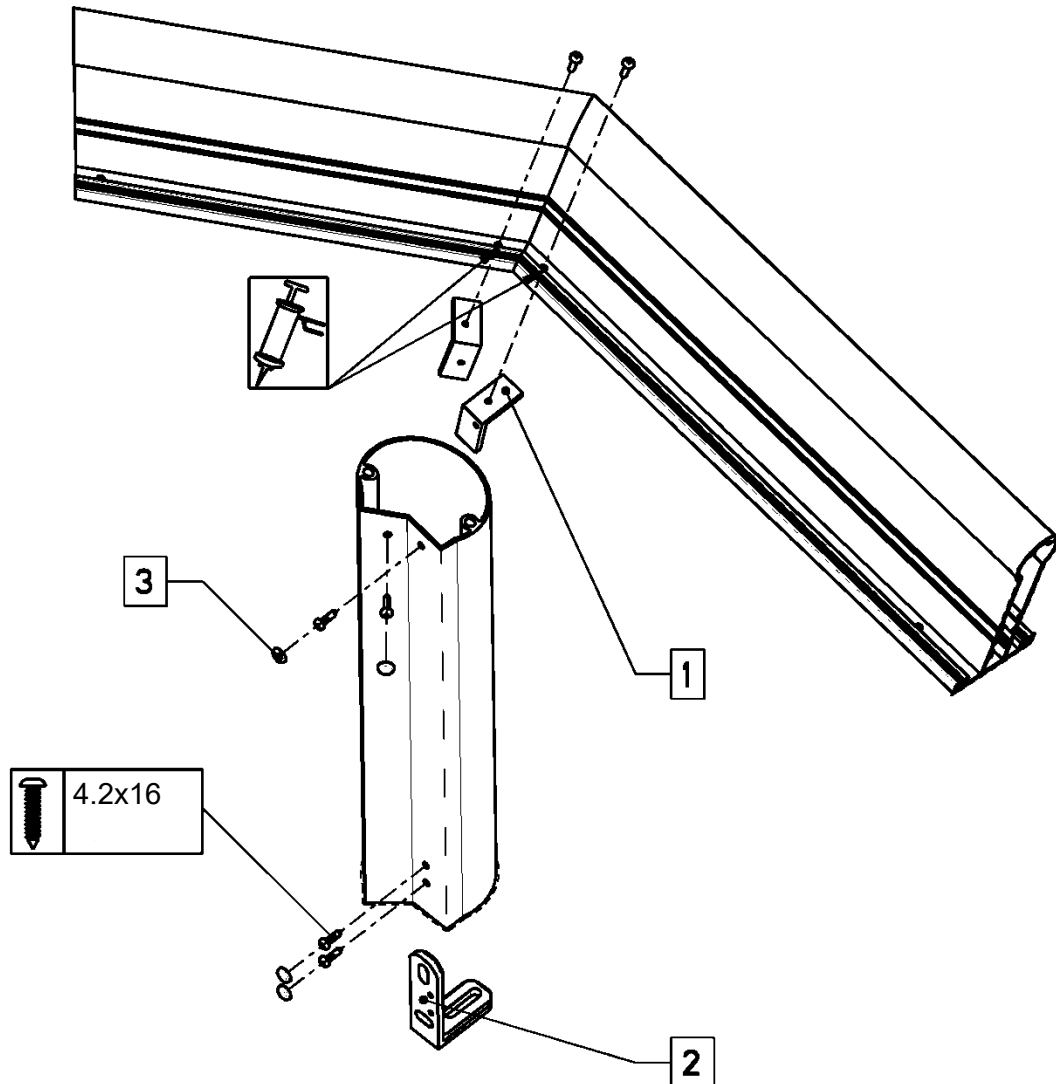


- | | |
|---|--|
| 1 | Post, 135 degrees |
| 2 | Do not fit the guttering cover cap before the kinked side roof support has been fitted |

5.1.3 Fitting the 135° post

- Saw the post to length.
- Align the post to the side roof support and trace the outline of the post on the floor.
- Using the traced outline, bring the 90x70x7x28 angle bracket into position and affix to the floor.
- Position the 135° post over the 90x70x7x28 angle bracket and below the side roof support.
- Drill into the 135° post and 90x70x7x28 angle bracket and affix (Make sure that you do not drill into the slotted holes on the angle bracket.).
- Drill through the side roof support into both 40x40x5x20 angle brackets and affix; apply sealant to the screws.

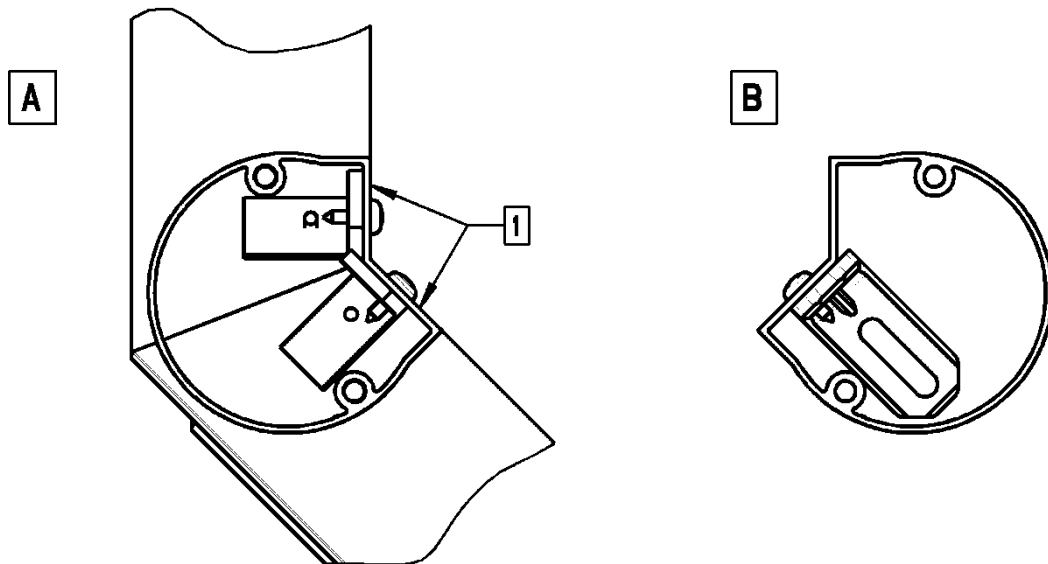
Figure: Fitting the 135° post



- Attach D12x7 protective caps to all screws that remain visible.

1	Angle bracket 40x40x5x20
2	Angle bracket 90x70x7x28
3	D12x7 cover cap

Figure: Affixing the 135° post

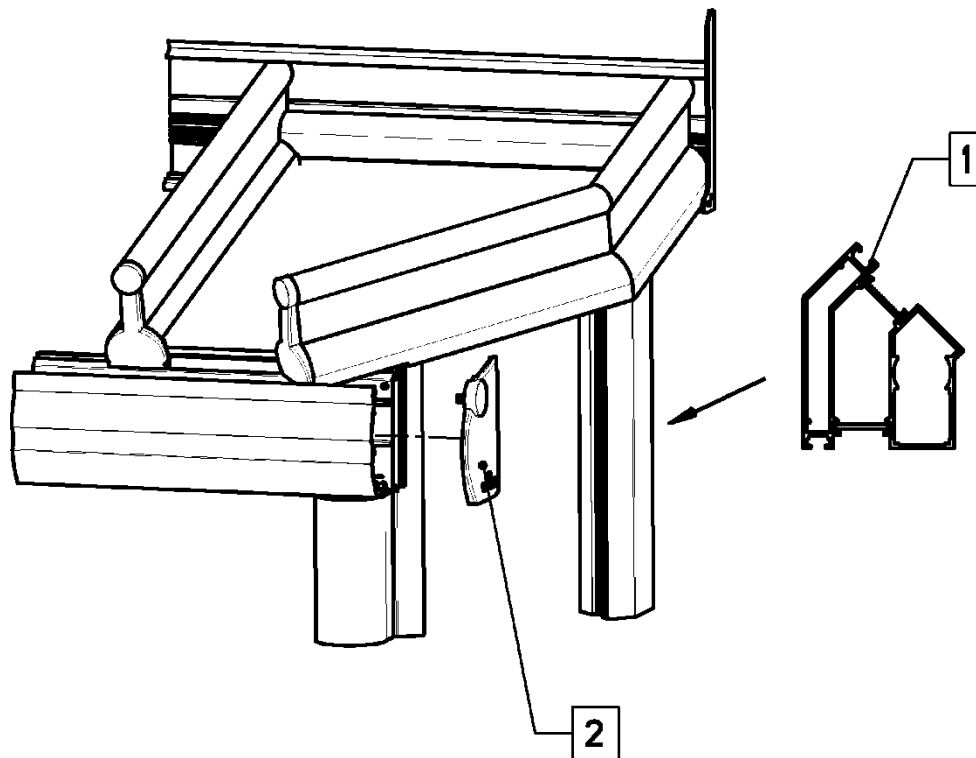


- | | |
|----------|---|
| A | Affixing to the side roof support |
| B | Affixing to the floor |
| 1 | The 135-degree post below the kink should be fitted flush to the inner surfaces of the side roof support |

5.1.4 Fitting the 135° corner profile

- Saw the 135° corner profile to length.

Figure: Fitting the 135° corner profile underneath the side roof support



- | | |
|---|--|
| 1 | Corner profile, 135 degrees |
| 2 | Do not fit the guttering cover cap before the kinked side roof support has been fitted |

Option 1:

- Position the 135° corner profile below the side roof support and align
- Drill through the side roof support into the round rod and affix the side roof support to the round rod; apply sealant to the screws
- Fit the 90x70x7x28 angle bracket to the outside of the 135° corner profile and affix to the floor

Option 2:

- Align the 135° corner profile to the side roof support and trace the outline of the 135° corner profile on the floor
- Recess the 90x70x7x28 angle bracket, then position using the traced outline and affix to the floor
- Place the 135° corner profile under the side roof support
- Drill into the side roof support and 135° corner profile and affix; apply sealant to the screws
- Drill into the 90x70x7x28 angle bracket and the inner face of the 135° corner profile and affix
- Attach D12x7 protective caps to all screws that remain visible.

Figure: Fitting the 135° corner profile

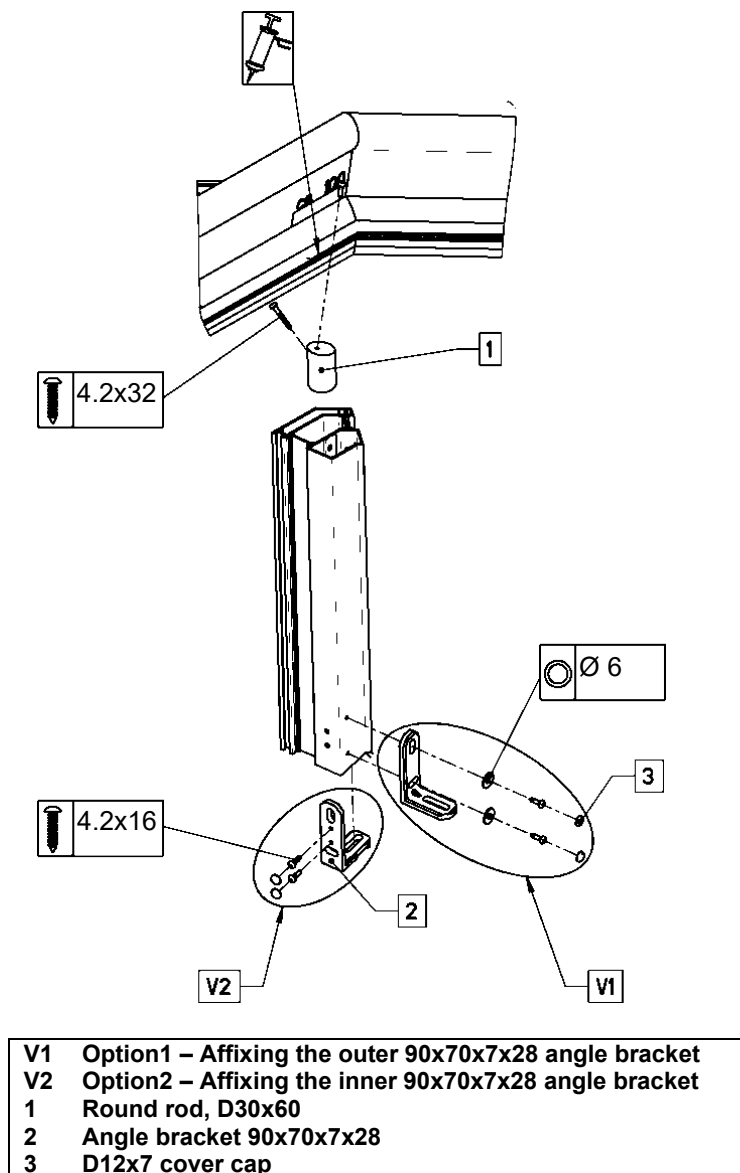
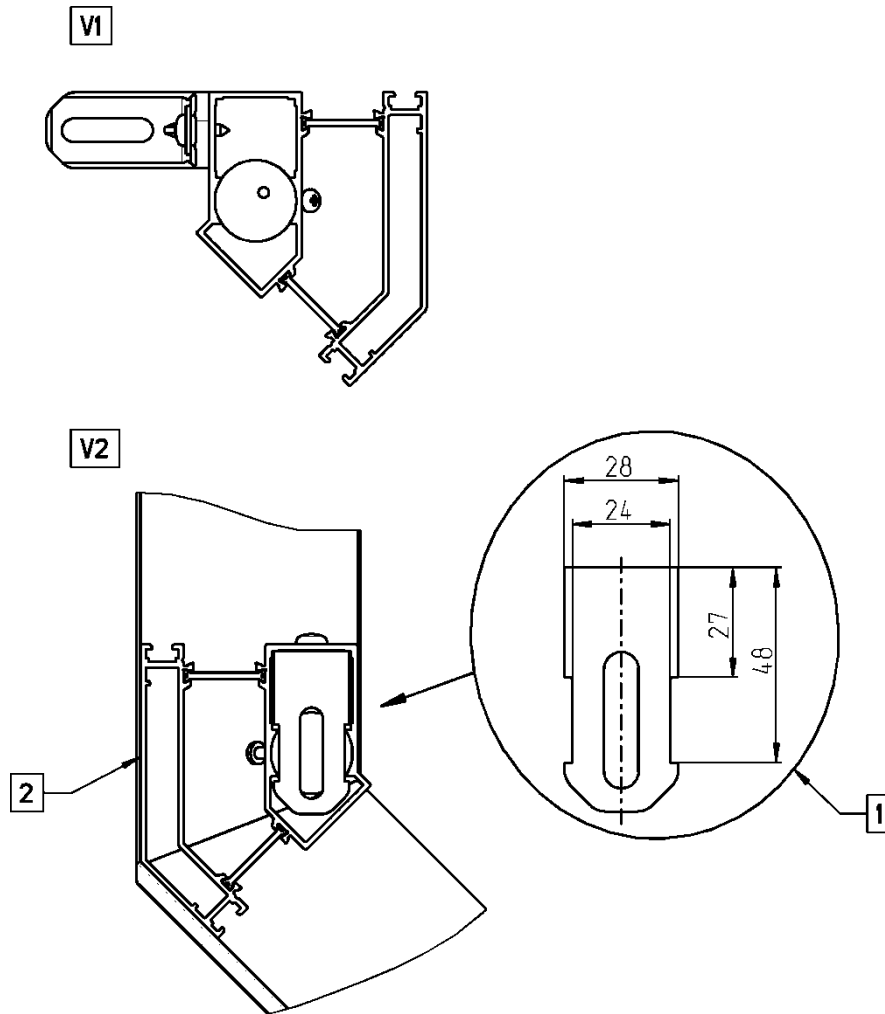


Figure: Screw fittings for 135° corner profile



- | | |
|----|---|
| V1 | Option1 – Affixing the outer 90x70x7x28 angle bracket |
| V2 | Option2 – Affixing the inner 90x70x7x28 angle bracket |
| 1 | The 90x70x7x28 angle bracket must be recessed to ensure that it fits into the 135-degree corner profile (example) |
| 2 | Slide the 135-degree corner profile over to the side roof support stops and fit to the side roof support |

If glazing elements are used on the Terrazza, there is no need to attach the 135° corner profile to the 90x70x7x28 angle bracket, provided that the glazing elements are bolted to the floor and the 135° corner section.

5.1.5 Fitting the angle bracket shim stop

- Before installing the roof covering, it is essential that the angle bracket shim stop is fitted to the kinked side roof support.
- The items must be fitted in such a way that the angle bracket acts as a stop for the roof covering.
- Affix glazing packers between the angle bracket shim stop and the roof covering.

Figure: Shim stop

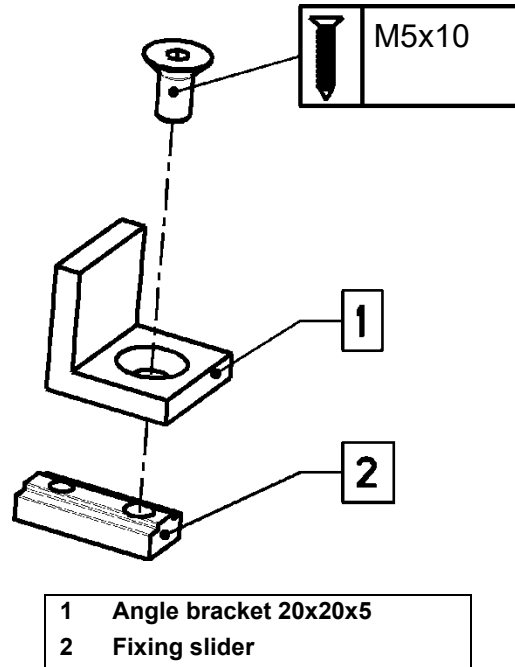
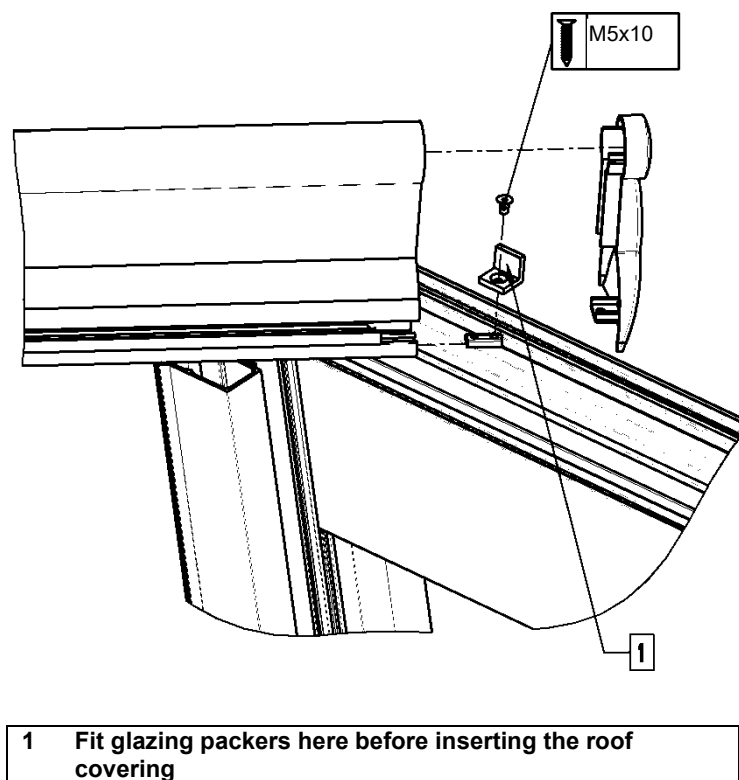


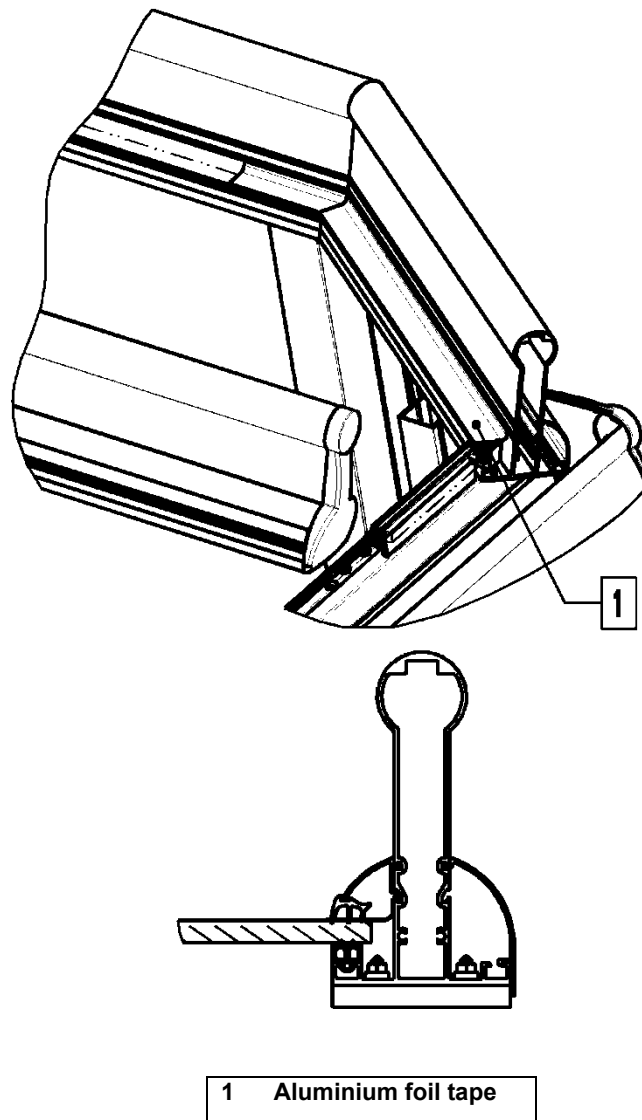
Figure: Fitting the shim stops



5.1.6 Sealing the kinked side roof support to the roof covering

- After installing the roof covering, apply aluminium foil tape to the kinked side roof support starting approx. 100 mm above the kink to the gutter.
- Make sure that the aluminium foil tape is applied from the roof covering to the roof support to ensure that no water can penetrate.

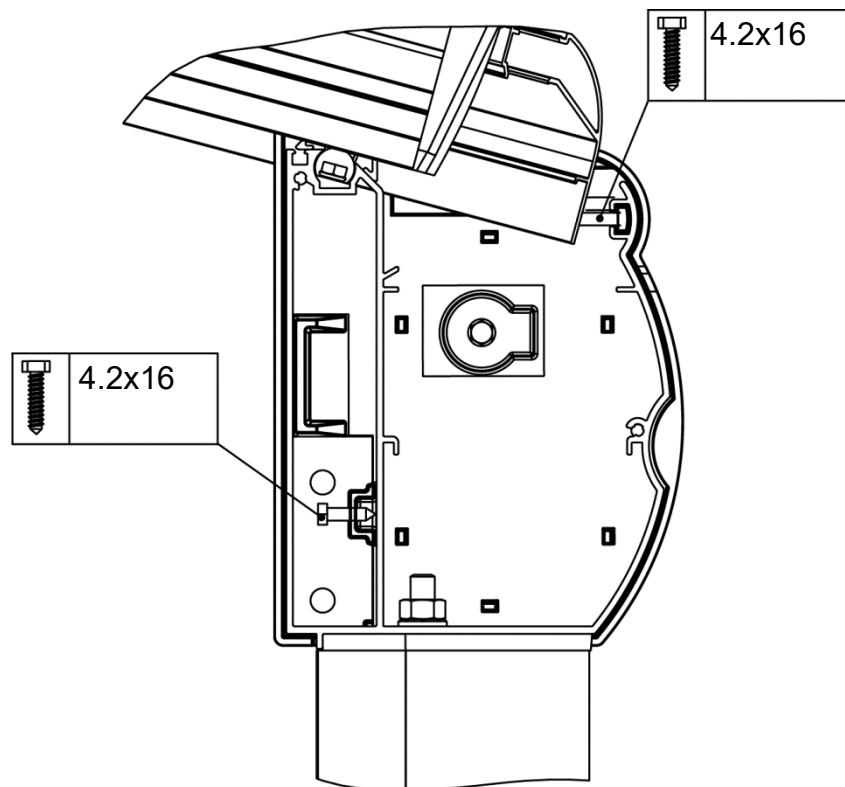
Figure: Aluminium foil tape position



5.1.7 Fitting and sealing the guttering cover cap

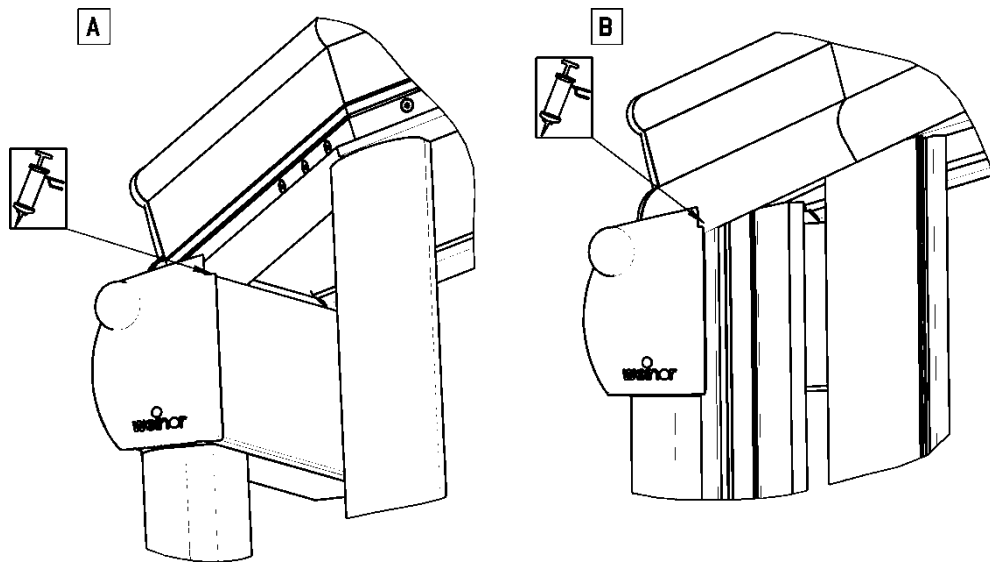
- After the kinked side roof support has been fitted, slide the guttering cover cap over the guttering and then screw in place.
- Also seal the guttering cover cap to the kinked side roof support as well as to the 135° corner profile if provided.

Figure: Fitting the guttering cover cap



On the standard Type B and Type B version with 135° corner profile, be sure to seal the guttering cover cap to the kinked side roof support and/or 135° corner profile.

Figure: Fitting the guttering cover cap seal



- | | |
|----------|---------------------------------------|
| A | Type B with 135-degree post |
| B | Type B with 135-degree corner profile |

5.1.8 Sealing, caulking

When erecting the roof and following completion, seal all areas where water could penetrate into the interior. Always ensure you use appropriate sealants.

We recommend:

- "Take Seal" from Fix-Tec

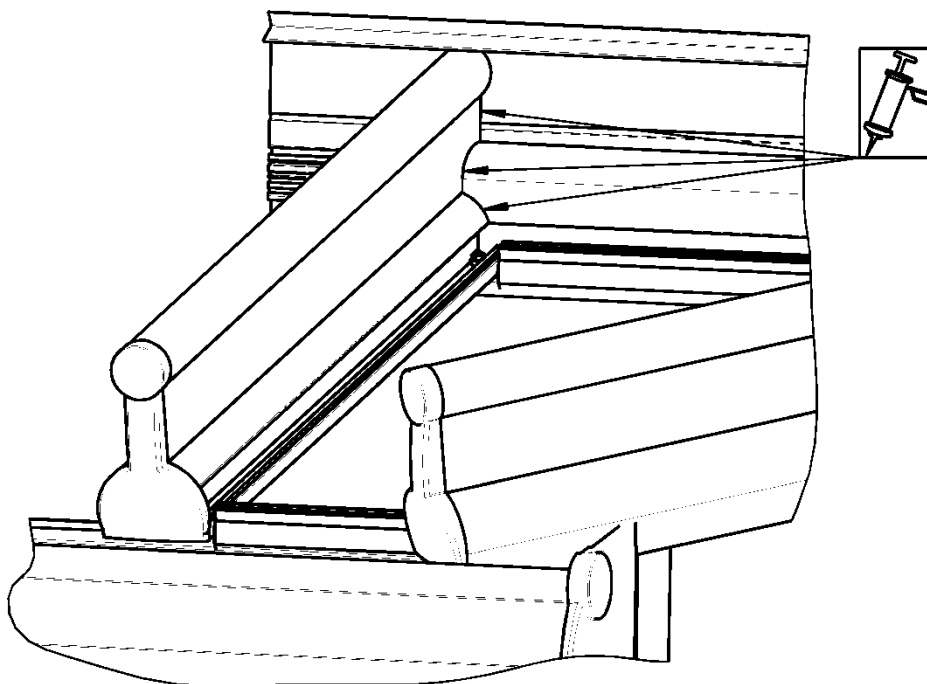
The following areas (among others) must be caulked:

- Around the roof supports and wall bracket glazing beads along the wall bracket
- Along the abutting joint between the roof support glazing beads and the wall bracket glazing beads
- Along the abutting joint between the two roof support sections on the kinked side roof support

Aluminium foil tape must be applied:

- From the kinked side roof support to the roof covering

Figure: Sealing the glazing beads



5.1.9 Miscellaneous installation notes

weinor needed the drill holes in the wall bracket in order to construct the roof. The drill holes are not intended to indicate how many mounting holes are actually required on-site or whether the wall bracket can be affixed using the existing drill holes.

5.2 Terrazza type N / Type N head element

These assembly instructions contain features specific to the Type N only. For all other installation details, please consult the standard assembly instructions for the Terrazza.

The type N head element can be created in one of two ways. The standard version involves fitting a 90° post beneath the gutter corner.

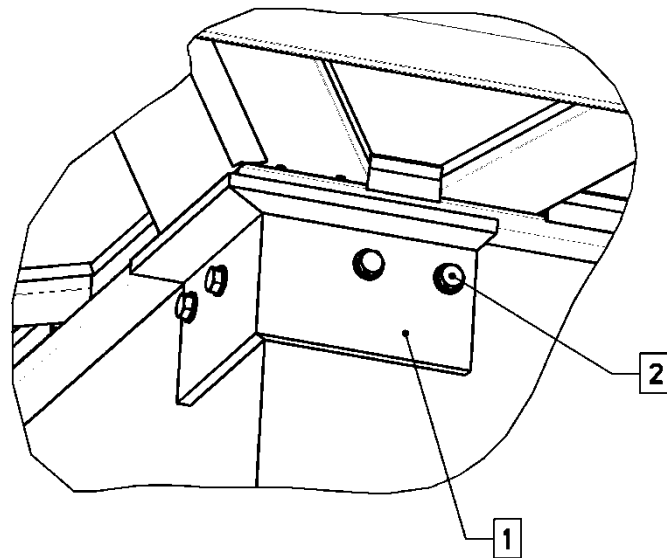
Alternatively, two 180° posts can be used. The standard version is shown in the illustrations used in these instructions.



5.2.1 Fitting the wall bracket support angle

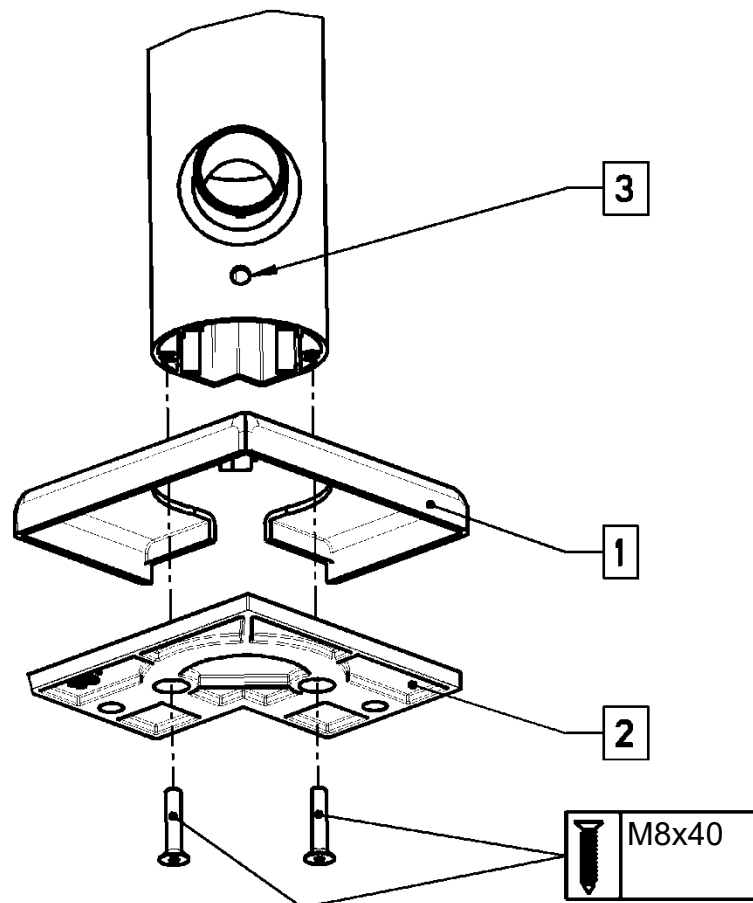
- A wall bracket support angle must be affixed to the wall bracket at the 90° bend.
- The task of drilling the holes for the support angle and affixing it is to be done on-site, in line with the relevant building conditions.

Figure: Fitting the wall connection support bracket



- | | |
|---|---|
| 1 | Wall bracket support angle, 90 degrees |
| 2 | Drill the holes and affix the 90° wall bracket support angle on-site; the number of fixings and their position must be determined at the site of installation |

Figure: Fitting the 90-degree post plate

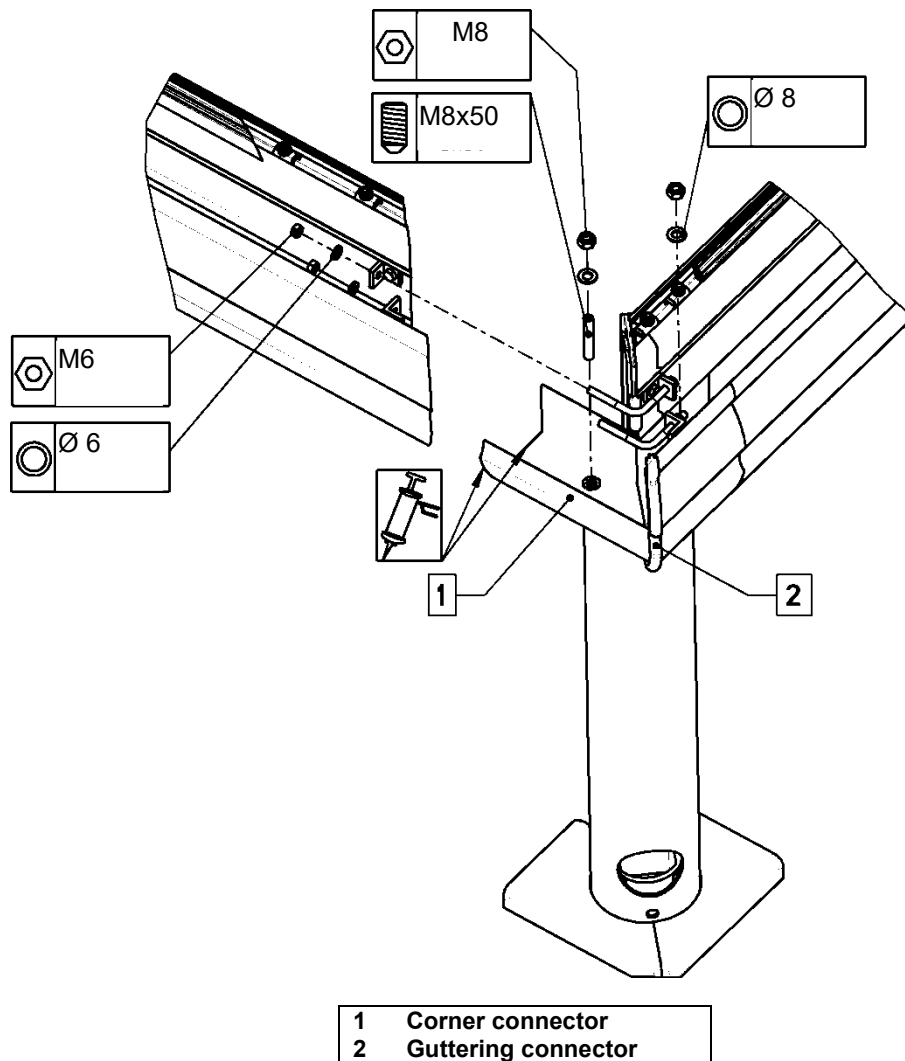


- | | |
|---|---|
| 1 | Cover cap for 90-degree post plate |
| 2 | Post plate, 90 degrees |
| 3 | Drilled hole to protect against frost damage; only if draining through the post |

- Affix the 90° post plate to the 90° post using M8x40 countersunk screws.
- If using the "drainage through the post" option, drill an additional drainage hole to avoid frost damage. In this case, please follow the standard assembly instructions.

5.2.2 Fitting the gutter corner to a 90° post

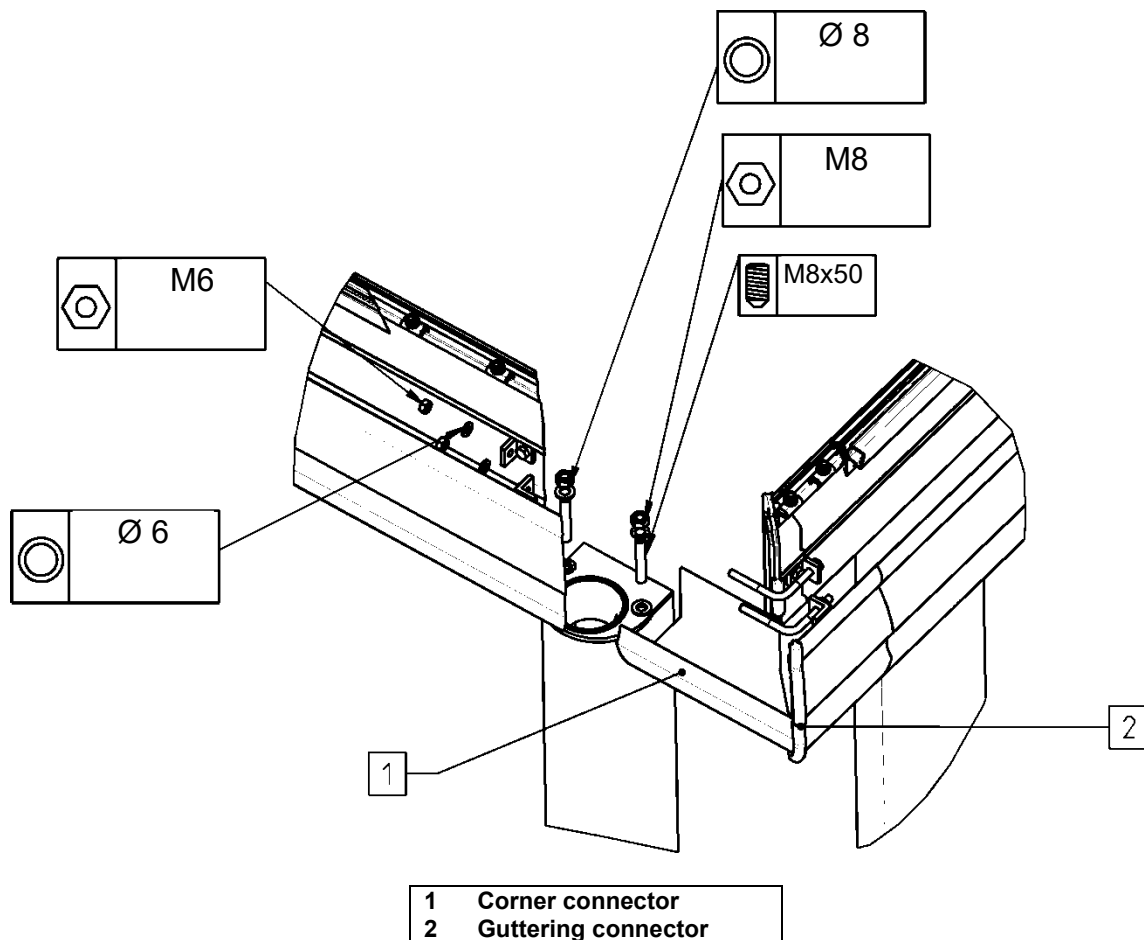
Figure: Fitting the roof guttering corner on the post



- Seal all the way round the joint. To do this, remove the corner connector from the gutter, fit the gutter to the 90° post, then apply sealant to the corner connector and reinsert into the gutter. Apply a suitable sealant to every abutting joint after each subsequent installation step. Once sealed, the joints should be completely leak-tight.
- Attach the 90° gutter connector to the guttering.
- Affix the guttering to the post and seal.
- Remove the nuts and washers from the loose ends of the clamps used for tensioning; remove one of the grub screws from the post to make way for the second section of guttering.
- Slide the second section of guttering over the 90° gutter corner connector while also inserting the loose ends of the tensioning clamps into the holes of the support angle.
- Affix the guttering to the post and seal.
- Affix the loose ends of the clamps complete with nuts and washers to the support angles.
- Remove any excess adhesive and sealant.

5.2.3 Fitting the guttering corner and two 180° posts in the corner

Figure: Fitting the roof guttering corner on the post

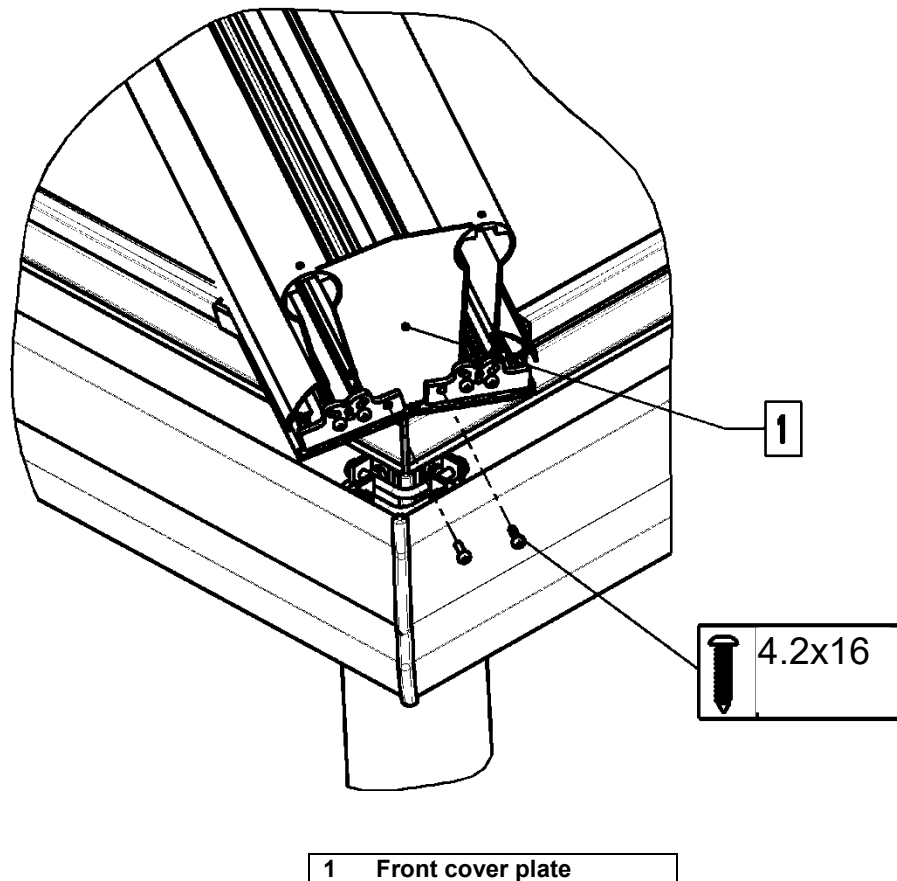


- Assemble the first section of guttering and the posts.
- Apply a suitable adhesive and sealant to the guttering and corner connector.
- Insert the corner connector into the pre-assembled guttering.
- Affix the 90° gutter connector using a suitable adhesive and sealant.
- Apply a suitable adhesive and sealant to the mitred part of the second section of guttering.
- Apply a suitable adhesive and sealant to protruding section of the corner connector.
- Slide the second section of guttering over the corner connector and insert the kinked threaded rods used for tensioning into the support angles.
- Attach the guttering to the posts.
- Remove any excess adhesive and sealant.
- Tension the two sections of guttering using the kinked threaded rods and tighten the nuts.

5.2.4 Fitting the roof support to the ridge

- Two roof supports need to be fitted to the ridge.
- Affix both roof supports with attached clamping slider to the guttering and the wall bracket.
- Glue a cover plate onto the front of the two roof supports where they join and also affix the cover plate to the shim stops.

Figure: Fitting the front cover plate



- Screw a plate onto the top of the two roof supports and glue in place; affix screws every 500 mm.
- Seal the areas around the plate and the roof support as well as the wall bracket.
- The plate is positioned on the wall bracket below the top sections of the wall bracket.

Figure: Fitting the top cover plate

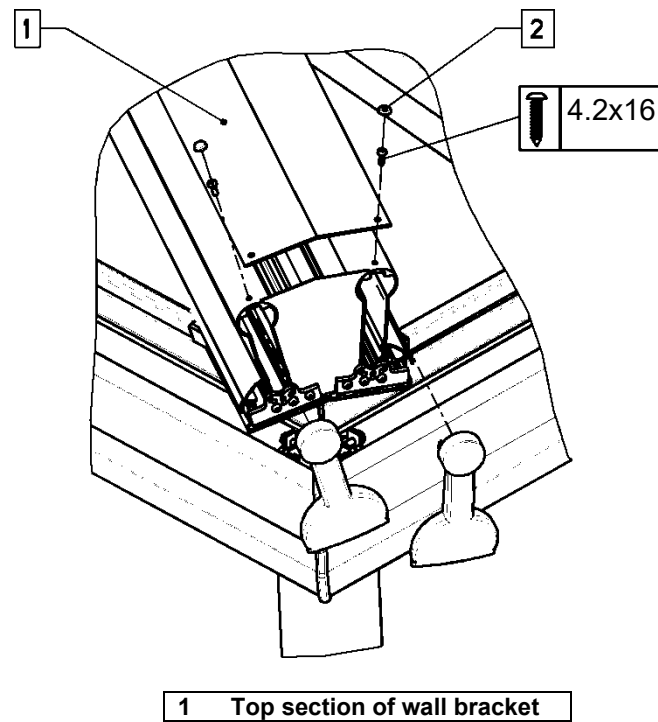


Figure: Fitting the top section of the wall bracket

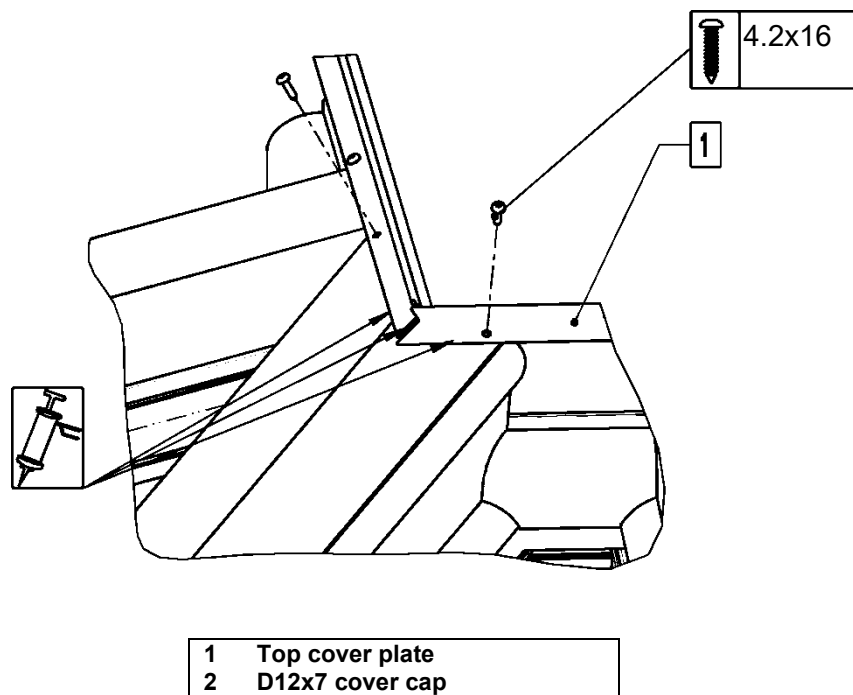
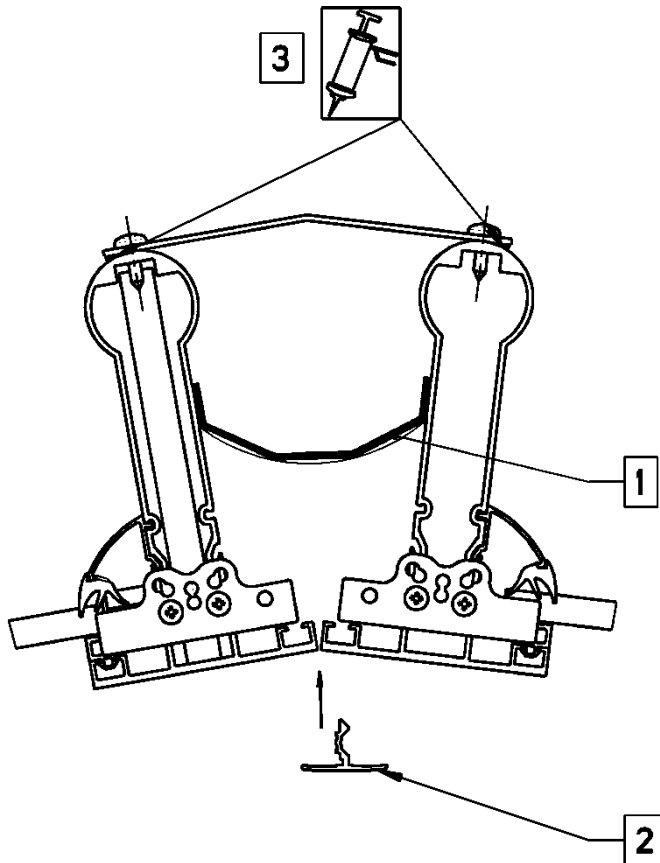


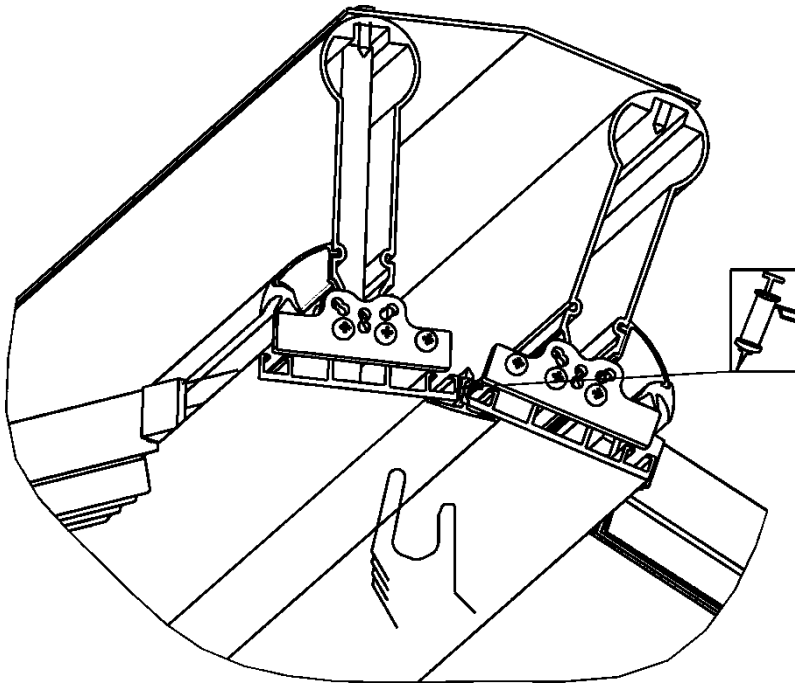
Figure: Sealing the gap between the roof supports



- | | |
|---|---|
| 1 | Apply butyl tape between the roof supports: secure the drain in the guttering |
| 2 | Stop profile |
| 3 | Cover plate seal along entire length of roof support |

- The gap between the two roof supports must be sealed.
- To do this, either trim the supplied stop profile to length and then glue to the area below the roof supports where the two meet or seal the gap using a suitable adhesive and sealant.

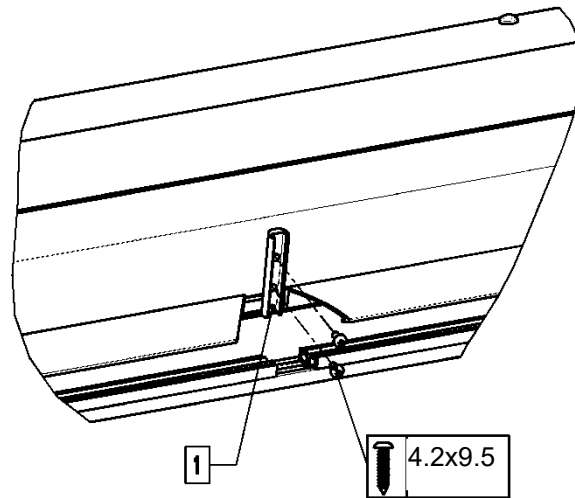
Figure: Fitting the T-shape cover strip



5.2.5 Fitting the 110 roof supports (small roof supports) to the roof ridge supports

- The roof supports 110 must be attached to the roof supports 150 on the ridge of the roof where corresponding holders have been attached to the roof support 150.

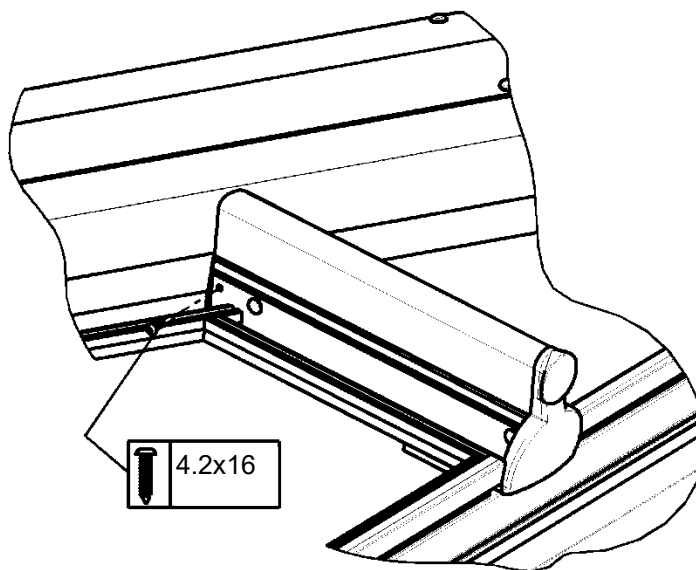
Figure: Position of holder for 110 roof supports



1 Holder for 110 roof support

- Affix the 110 roof support to the 150 roof support and seal around the two.

Figure: Affixing the 110 roof support



5.2.6 Fitting the stops for the roof covering on the roof ridge supports

- Fit angle brackets on the roof ridge supports so that they can be used as stops for the roof covering.
- Affix glazing packers between the roof covering and the angle brackets.

Figure: Shim stop

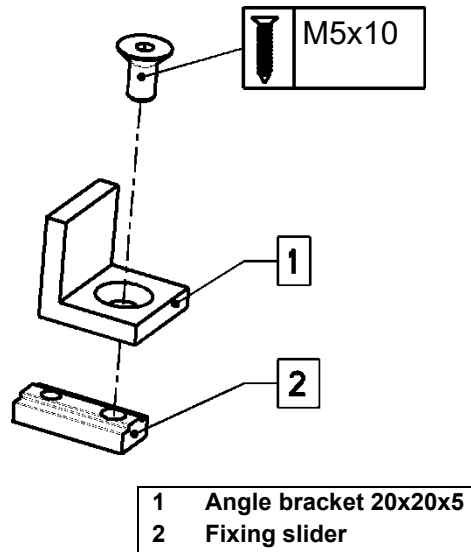
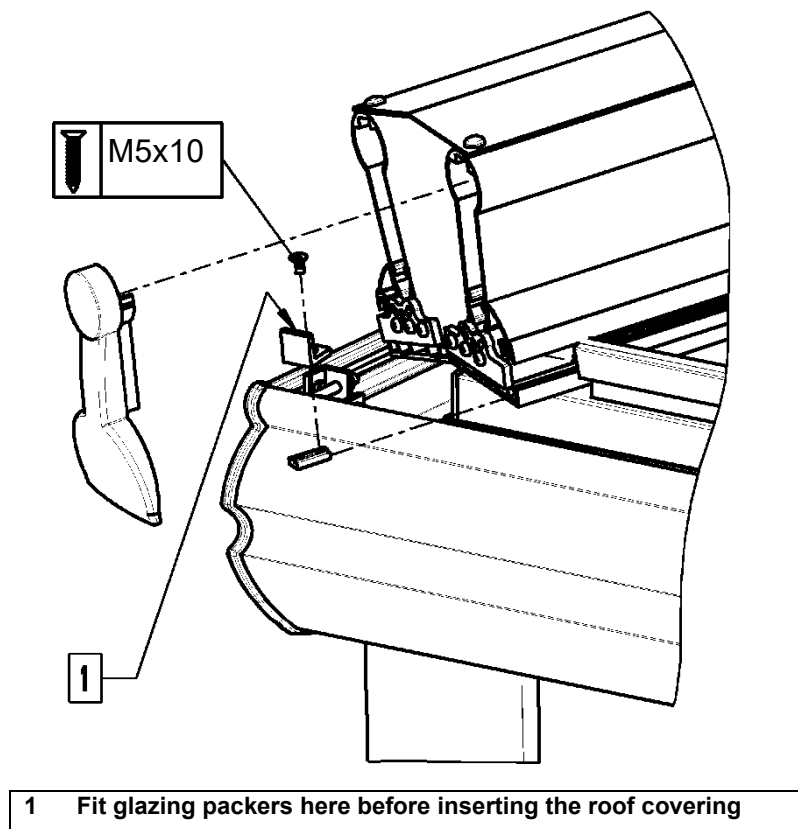


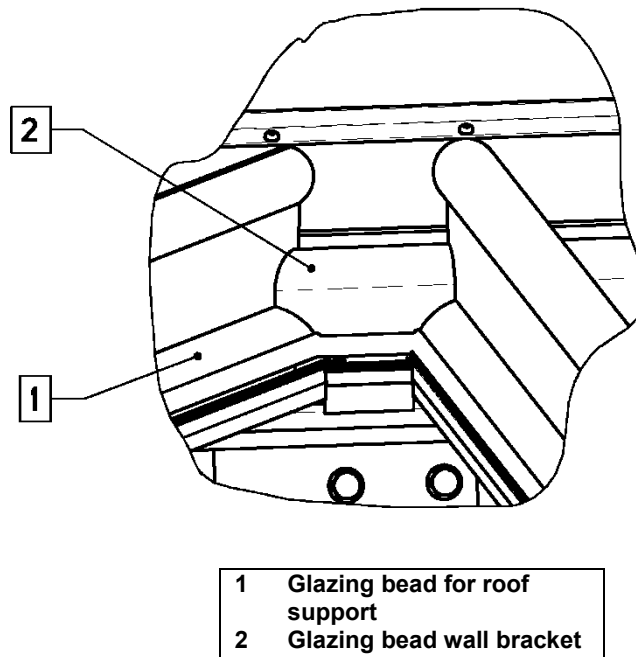
Figure: Fitting the shim stop



5.2.7 Fitting the glazing beads

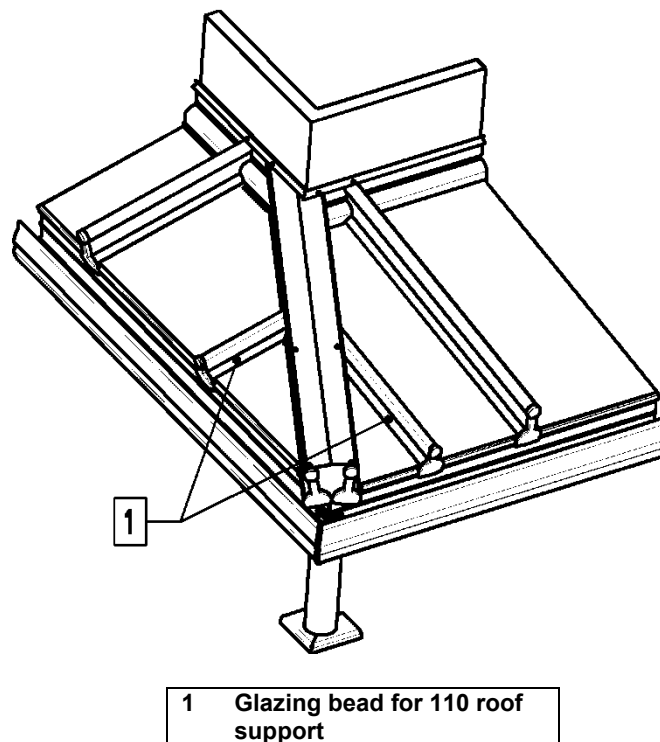
- First fit the glazing beads to the wall bracket.
- Then fit the glazing beads to the roof supports.

Figure: Fitting the glazing beads



- In the case of the joists, first fit the glazing beads to the roof support 150 and then to the roof support 110.

Figure: Fitting the glazing beads to the joists



5.2.8 Sealing, caulking

When erecting the roof and following completion, seal all areas where water could penetrate into the interior. Always ensure you use appropriate sealants.

We recommend:

- "Take Seal" from Fix-Tec

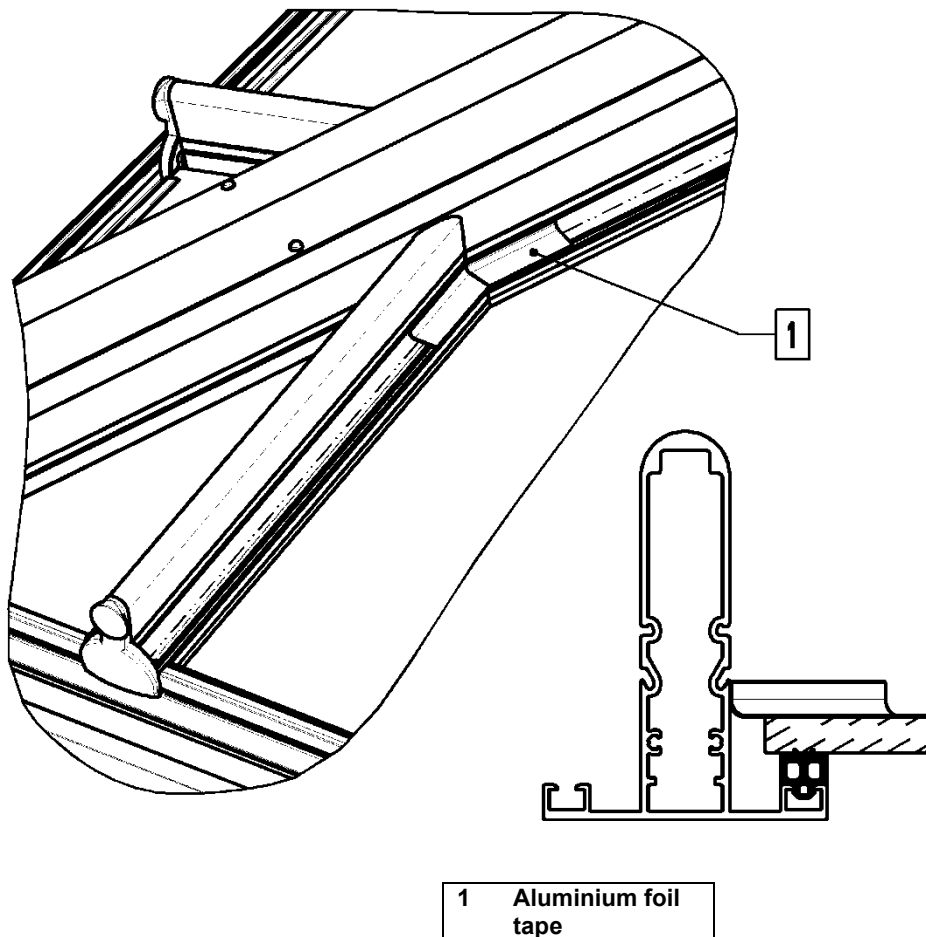
The following areas (among others) must be caulked:

- Gutter joints
- The area where the roof support 110 and roof support 150 join (top and bottom and/or exterior and interior)
- The area where the roof support cover plate is joined to the wall brackets
- Below the roof supports on the roof ridge
- Around the roof supports and wall bracket glazing beads along the wall bracket
- Along the abutting joint between the roof support glazing beads and the wall bracket glazing beads
- Butyl tape between the roof supports

Aluminium foil tape must be applied:

- To the area where the roof support 110 and roof support 150 join

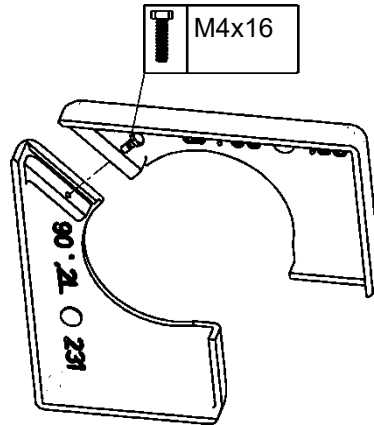
Figure: Aluminium foil tape position



5.2.9 Miscellaneous installation notes

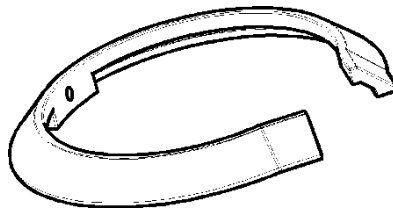
- The drill holes in the wall bracket were needed in order to construct the roof. The drill holes are not intended to indicate how many mounting holes are actually required on-site or whether the wall bracket can be affixed on-site using the existing drill holes.
- When affixing the wall bracket to the corner, remember to keep the required distances to the edges.
- Then affix the two sections of the 90° post plate cover cap from the inside.

Figure: 90° post plate cover strip



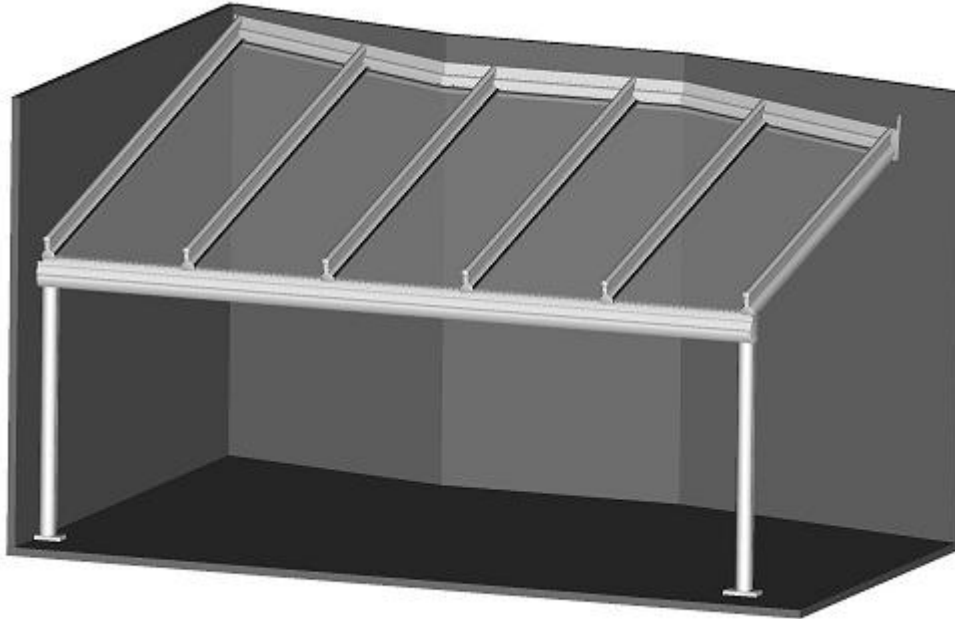
- A collar for the 90° post can be ordered to attach around the post. This is glued on using a suitable jointing compound.
- If using the drain through a 90° post option, standard pipes and pipe bends can be used.

Figure: Sleeves for 90-degree posts



5.3 Terrazza Originale / Terrazza Sempre with angled and partially angled wall bracket

These assembly instructions contain features specific to the angled and partially angled wall bracket. For all other installation details, please consult the standard assembly instructions for the Terrazza.



5.3.1 Fitting the angled and/or partially angled wall bracket

When fitting the angled wall bracket, please take the following into account:

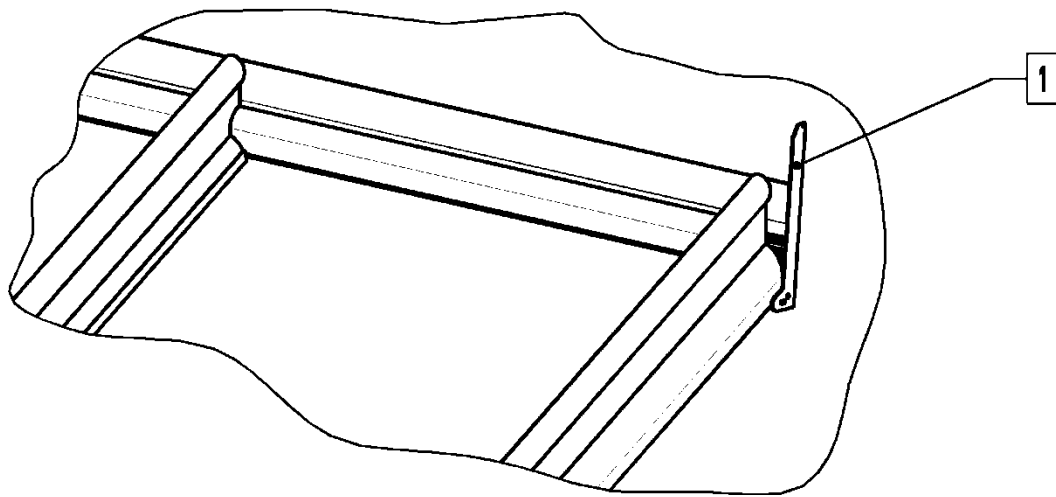
- The roof and angled wall bracket are manufactured to the specifications in the order. These can only be correctly installed if they match the actual building conditions on-site.

If the actual building conditions deviate from the order specifications, fit the angle wall bracket in a way that compensates for the deviations.

Installation steps:

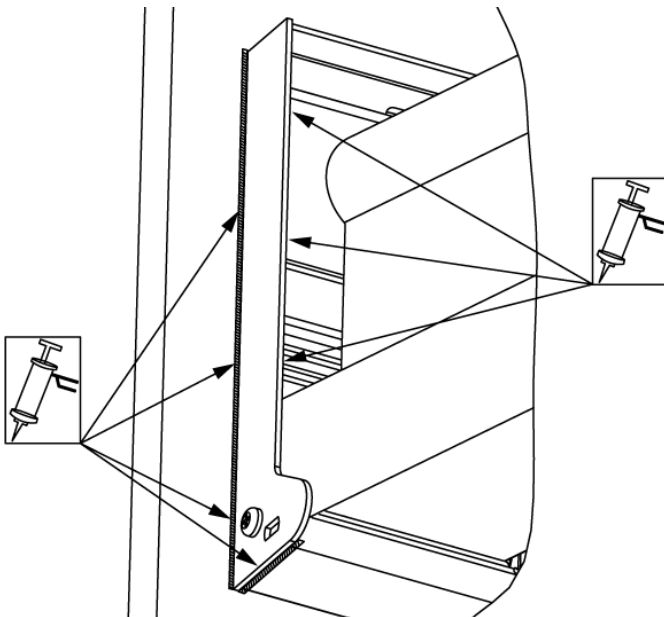
- Align the sides and the height of the wall bracket. To do this, make sure that, on roofs without a side wall, the angled wall bracket protrudes past the end of the roof to enable a cover plate to be fitted to the wall bracket. The wall bracket has been cut straight here.
- On roofs with a side wall, the wall bracket ends 7 mm before the wall and is cut parallel to the side wall. A side cover cap is not fitted to the wall bracket in this case.

Figure: Cover plate with angled wall bracket



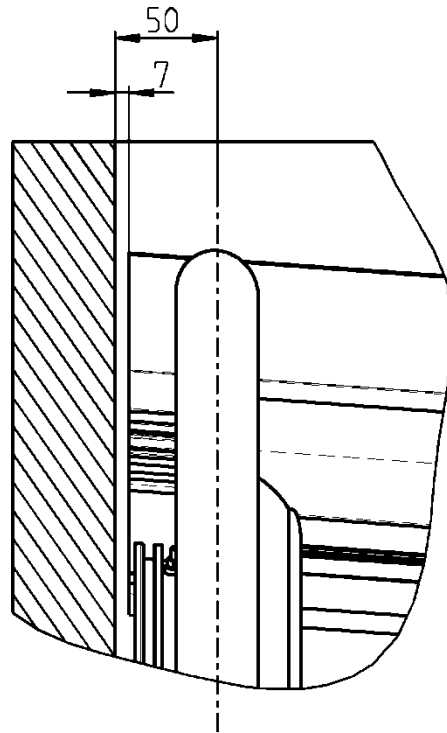
1 Wall connection cover plate

Figure: Sealing on the wall connection cover plate for Terrazza Originale and Terrazza Sempra



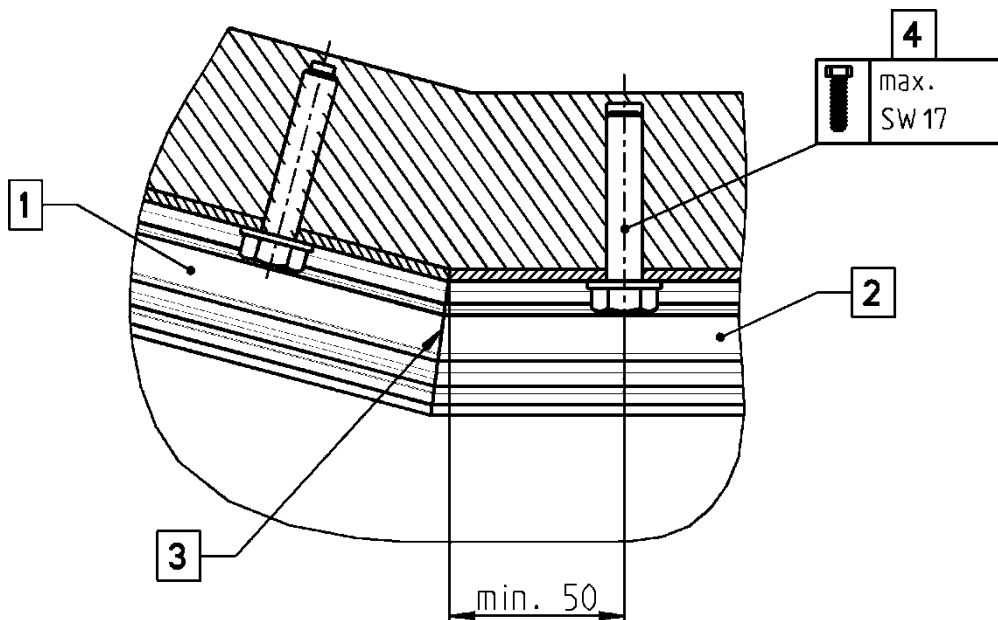
- The cover plate on the wall connection must also be sealed externally, internally and at the bottom.

Figure: Angled wall bracket for side roof supports fitted to the wall



- The wall bracket can only be affixed to the wall once the exact position of the angled wall bracket has been determined.
- In the case of partially angled wall brackets (= one wall bracket is partially angled, the second one straight), make sure that the required amount of spacing is left between the edge of the bracket and the kink when affixing the wall bracket parts.
- No bolts or screws must be affixed behind any of the roof supports.

Figure: Affixing the wall connection at the kink

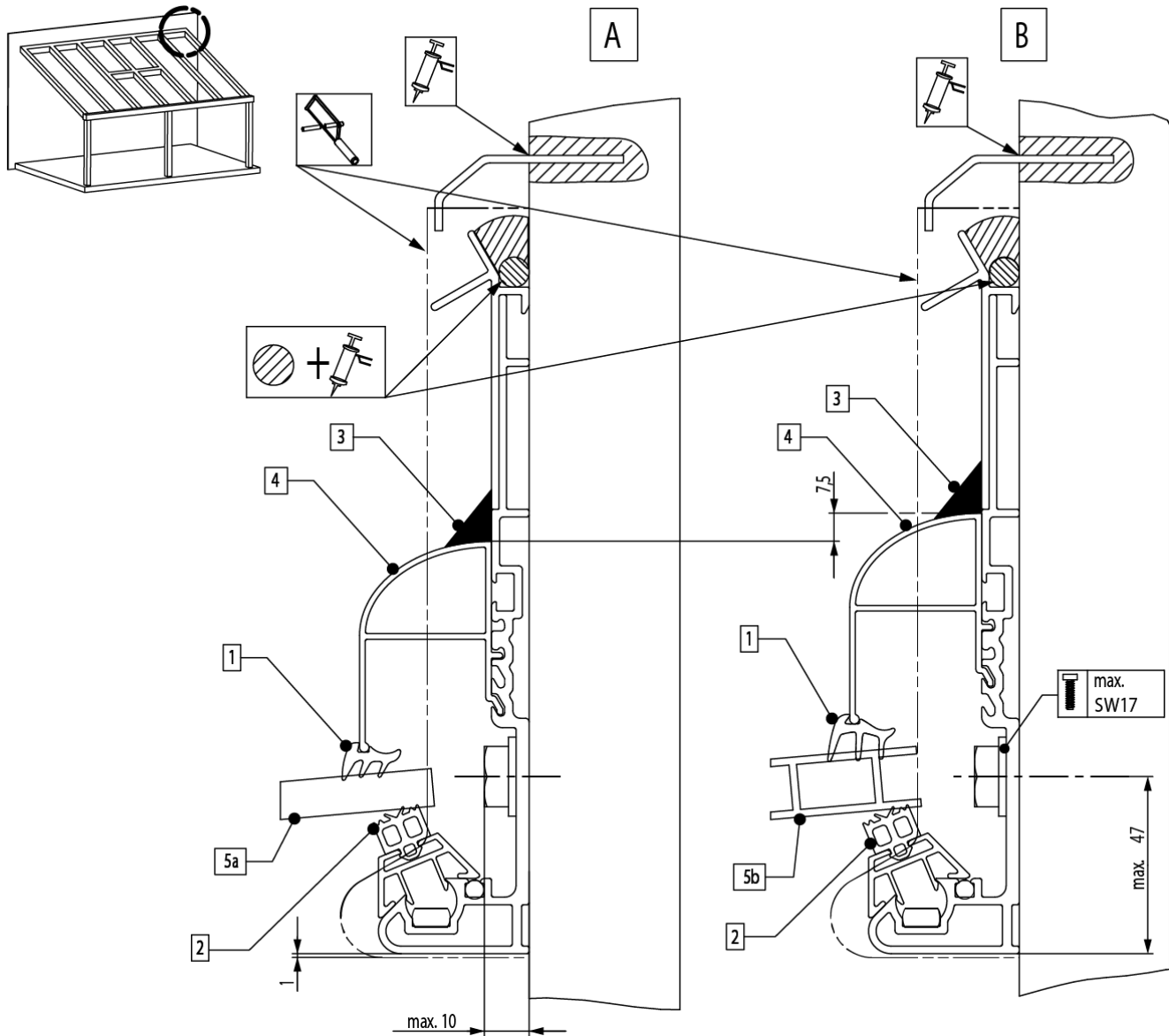


- | | |
|---|---|
| 1 | Angled wall bracket |
| 2 | Straight wall bracket |
| 3 | Interface between straight and angled wall |
| 4 | Choose the fixing materials required on-site based on the building conditions and structural safety requirements. |

5.3.2 Fitting the glazing bead wall bracket

- Before fitting the roof supports, the glazing bead wall bracket must be fitted and affixed in the correct position of every roof area that has an angled wall bracket as it will not be possible to fit the glazing bead wall bracket after the roof supports have been installed.
- There are two places where the glazing bead wall bracket can be installed: "top and bottom".
- Exactly where the glazing bead wall bracket should go depends on the thickness of the roof covering. Based on the place of installation, different wedge seals (3-4; 7; 5-9 mm) will be used. Both the location of the glazing bead wall bracket and the rubber to be inserted are indicated on the delivery note supplied.

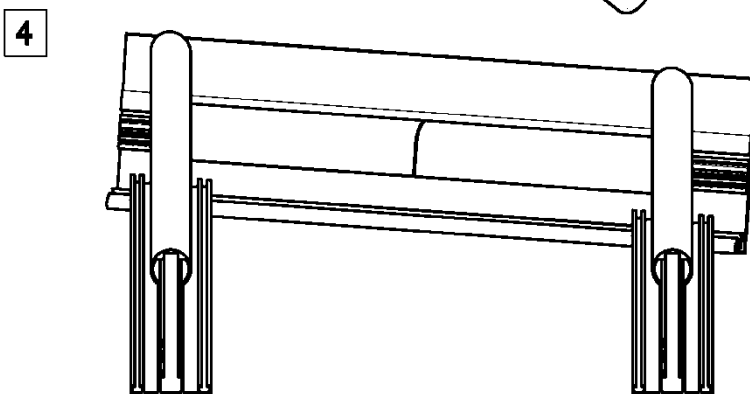
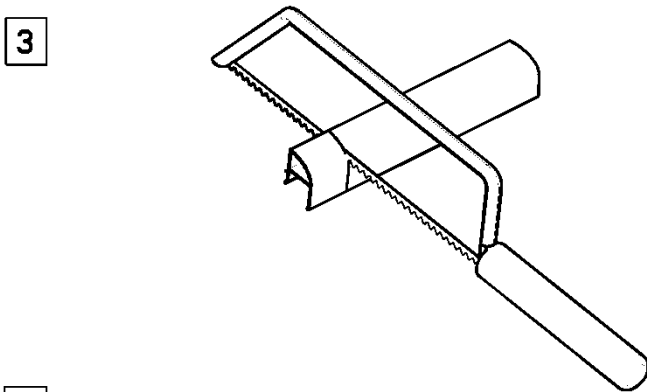
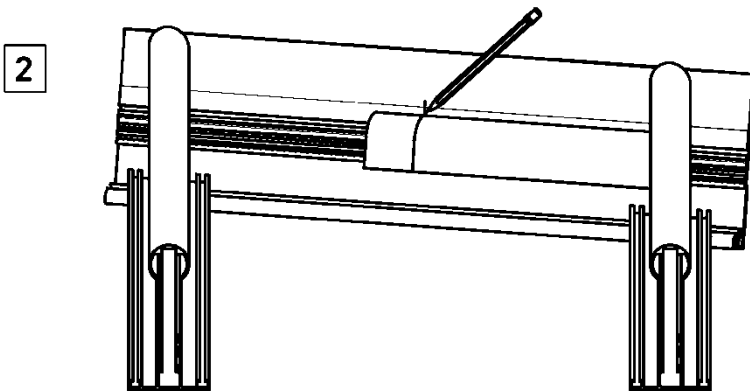
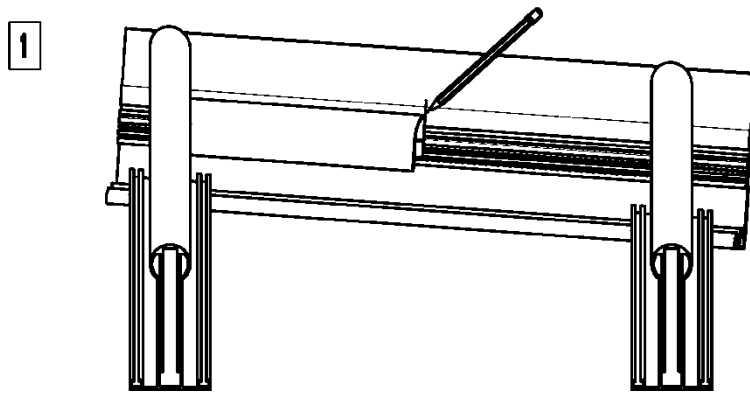
Figure: Fitting the wall bracket



<p>A Wall bracket glazing bead position 1 = bottom</p> <p>B Wall bracket glazing bead position 2 = top</p> <p>1 Wedge seal</p> <p>2 Glazing rubber</p> <p>3 The sealing for the wall connection glazing bead must be pulled from roof support to roof support.</p> <p>4 Wall bracket glazing bead</p> <p>5a Glass</p> <p>5b 16 mm web plate</p>	<p>For roofs with side walls on both sides and in case of possible pressure differences, it is necessary to draw a sealing seam from roof bracket to roof bracket over each glazing bead wall connection. Sealing is recommended for side walls.</p>
---	--

*Assess the structural conditions on site and use a suitable sealant!

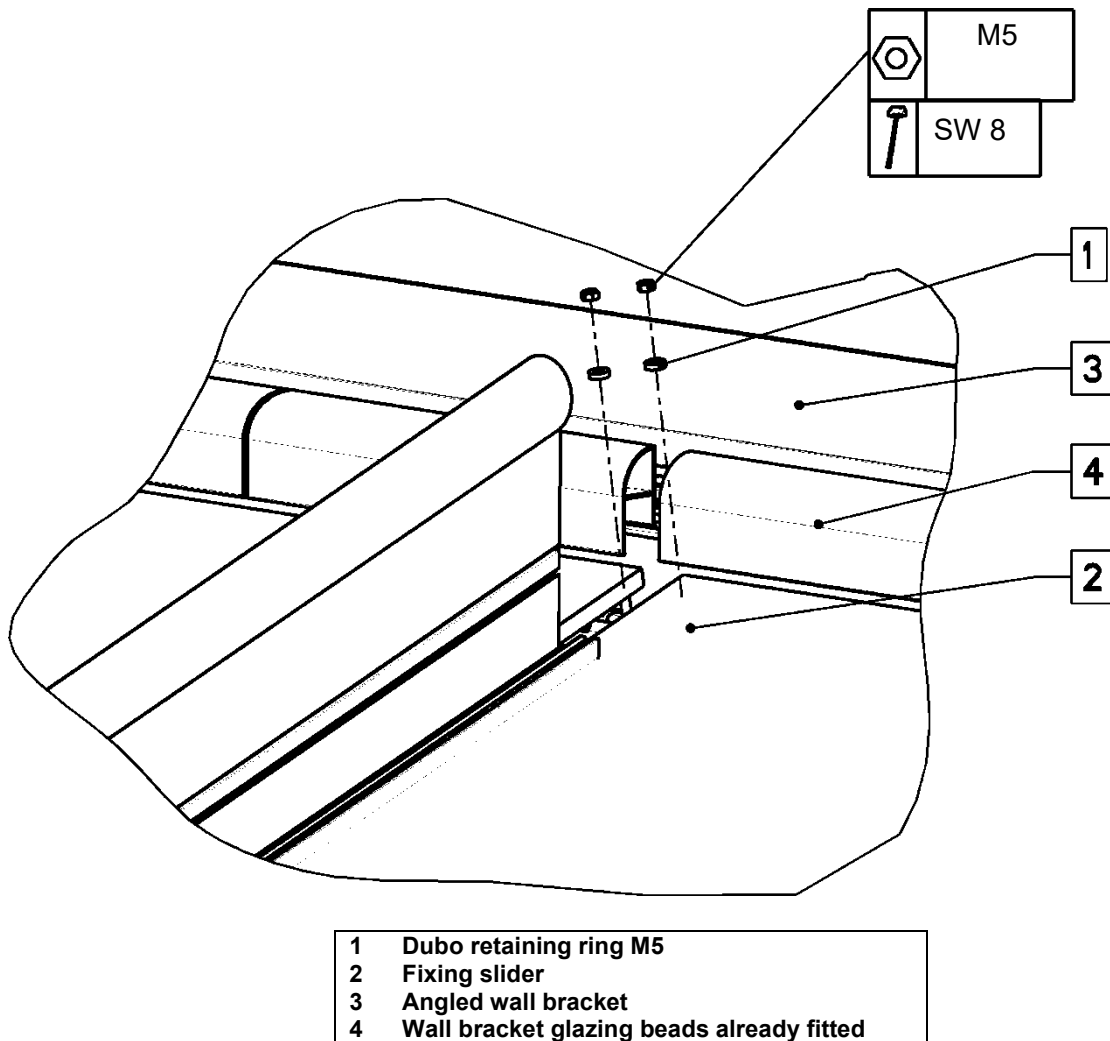
Figure: Fitting wall bracket 2



5.3.3 Fitting roof supports to an angled wall bracket

- The roof supports are always fitted vertically to the guttering.
- The roof supports are attached to the angled wall bracket using two 20 mm wide clamping sliders.
- To fit the roof supports, the roof supports must be positioned between the clamping sliders and the wall bracket glazing beads from the front.
- Then place the roof supports over the clamping sliders and affix.
- Seal around the roof supports and wall bracket.
- Important! Do NOT deviate from this installation sequence under any circumstances (See "Fitting the wall bracket glazing beads" and "Fitting roof supports to an angled wall bracket"). The wall bracket glazing beads cannot be fitted if the roof supports have already been installed.

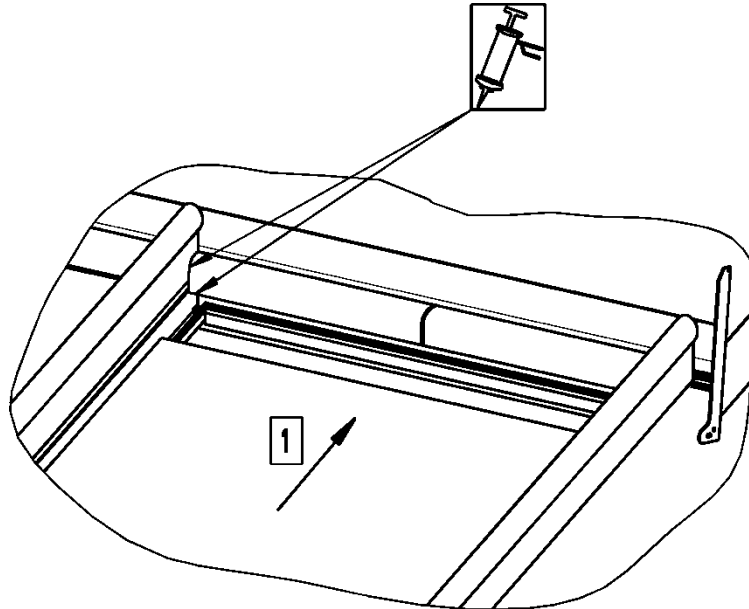
Figure: Fitting roof supports to an angled wall bracket



5.3.4 Laying the roof covering

- Remove the wall bracket glazing bead stays.
- Position the roof covering between the roof supports and then slide it between the wall bracket glazing bead and the glass support from underneath.
- Attach the wedge seals (supplied) to the wall bracket glazing beads and roof support glazing beads.

Figure: Laying the roof covering



1 Place the roof covering into the roof area and slide it between the wall bracket glazing bead and the glass support.

5.3.5 Sealing, caulking

When erecting the roof and following completion, seal all areas where water could penetrate into the interior. Always ensure you use appropriate sealants.

We recommend:

- "Take Seal" from Fix-Tec

The following areas (among others) must be caulked:

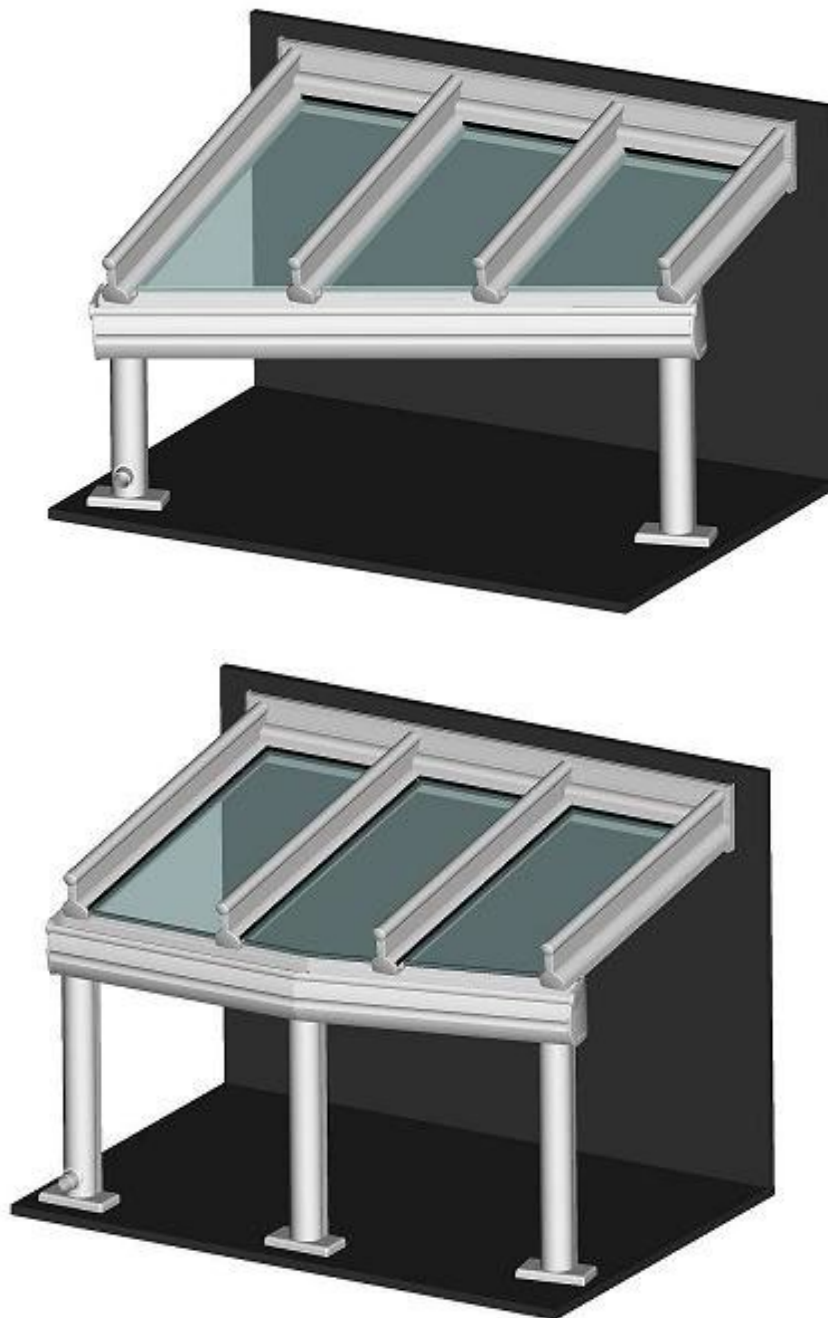
- The area where the roof support joins the wall bracket
- On a roof with partially angled wall bracket: at the point where the angled and straight wall brackets meet

5.3.6 Miscellaneous installation notes

weiner needed the drill holes in the wall bracket in order to construct the roof. The drill holes are not intended to indicate how many mounting holes are actually required on-site or whether the wall bracket can be affixed using the existing drill holes.

5.4 Terrazza Originale with angled or partially angled guttering

These assembly instructions contain features specific to angled and partially angled guttering. For all other installation details, please consult the standard assembly instructions for the Terrazza.



5.4.1 Fitting angled and/or partially angled guttering

- Partially angled guttering is connected using the same standard coupling procedure as for gutters.
- The made-to-order corner connectors plus two braces are used in this case.

Figure: Gutter coupling

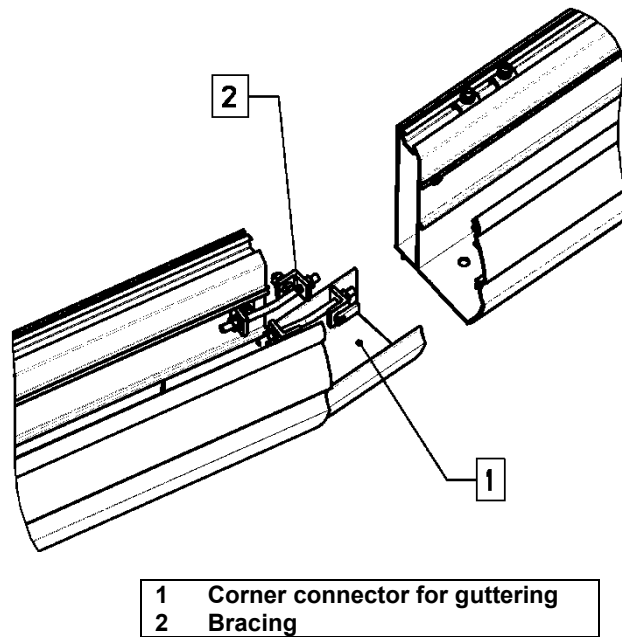
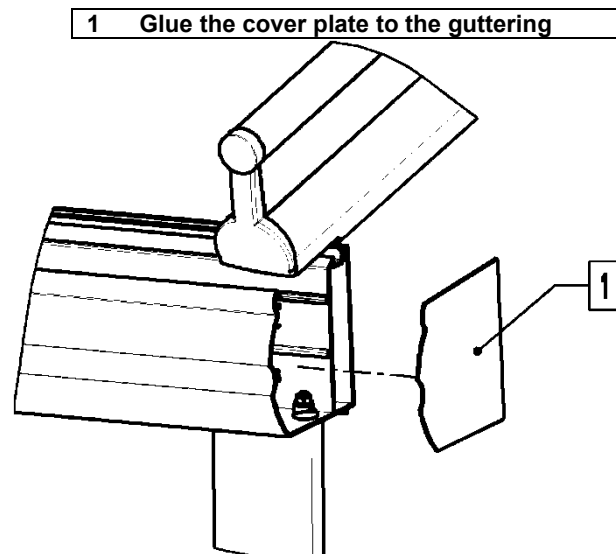


Figure: Fitting the cover plate to the angled guttering



- If the roof is being fitted to a side wall, the guttering will need to be cut parallel to the wall.
- A made-to-order cover plate is then glued onto the guttering to cover the guttering cut at an angle.

5.4.2 Fitting the post

- On a Terrazza with partially angled guttering, the post is fitted below the straight section of guttering as is standard.
- On a Terrazza with partially angled guttering, a notch is cut into the top of the post that is to be fitted below where two sections of guttering join.

Figure: Notched post

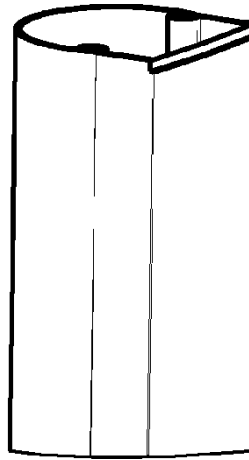
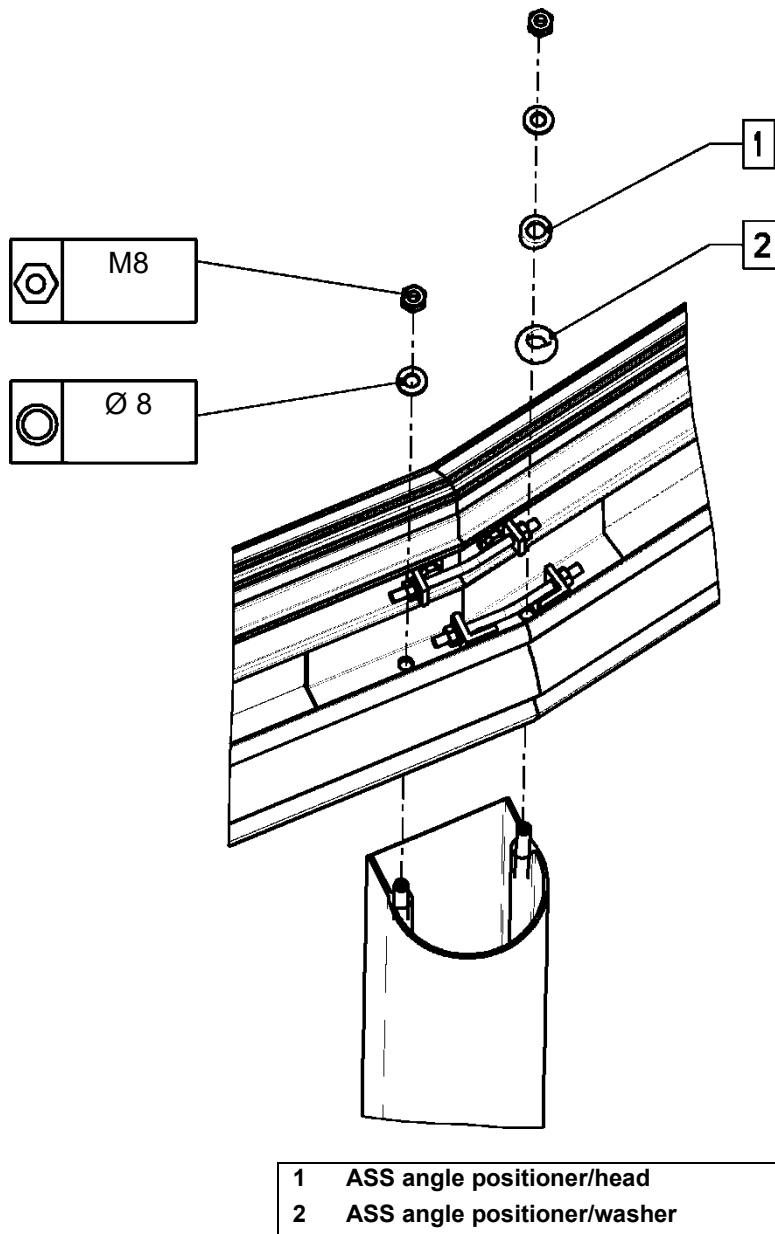
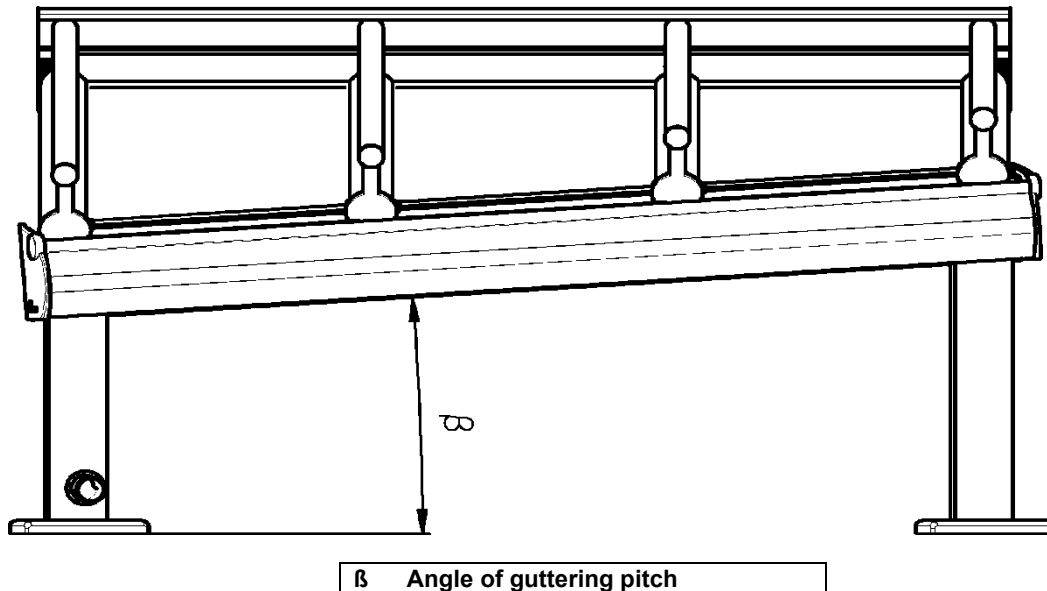


Figure: Affixing the post to the guttering



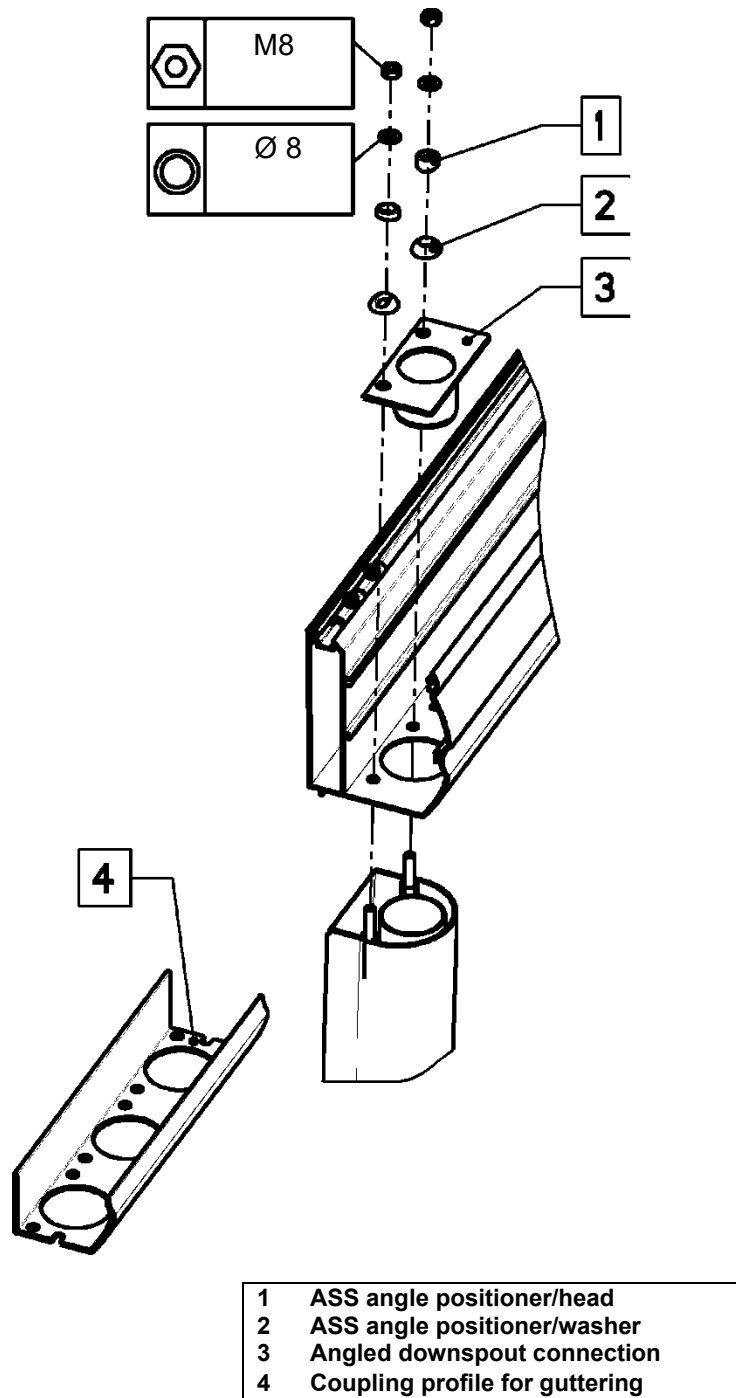
- This post is affixed directly to the guttering without a post-to-guttering attachment and below the guttering coupling without a post-to-guttering attachment.
- The post is affixed to the angled guttering using an ASS angle positioner.
- Straight guttering is affixed in the customary way.

Figure: Guttering pitch



- On a Terrazza with angled or partially angled guttering, the roof pitch $\beta > 5^\circ$, see Figure, a notch is cut into the top end of the posts and the posts are then fitted without a post-to-guttering attachment.
- The post-to-guttering attachment can be used if the guttering pitch is $\beta \leq 5^\circ$. The posts are shortened and unnotched in this case.

Figure: Angled downspout connection

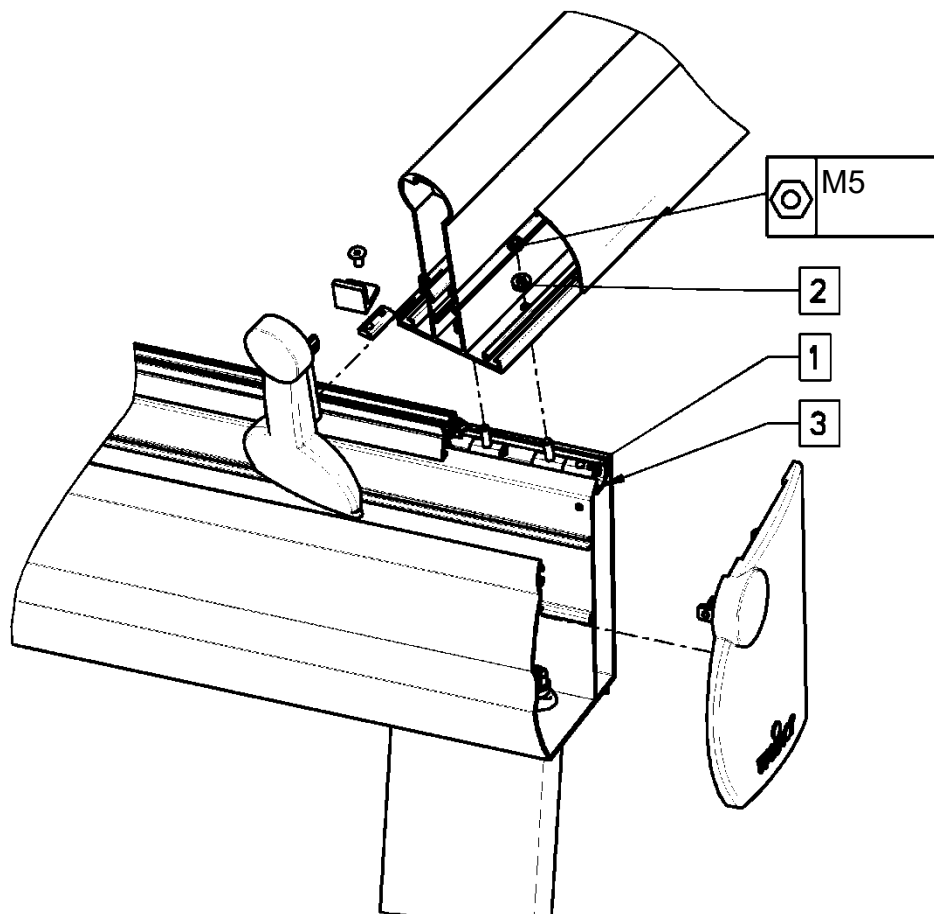


- The angled downpipe attachment must be fitted to posts that have been designated for the drain-through-the-post option.
- A guttering coupling profile must be inserted into the guttering next to each post (except below the guttering coupling) before the posts are fitted.

5.4.3 Fitting the roof supports to an angled gutter

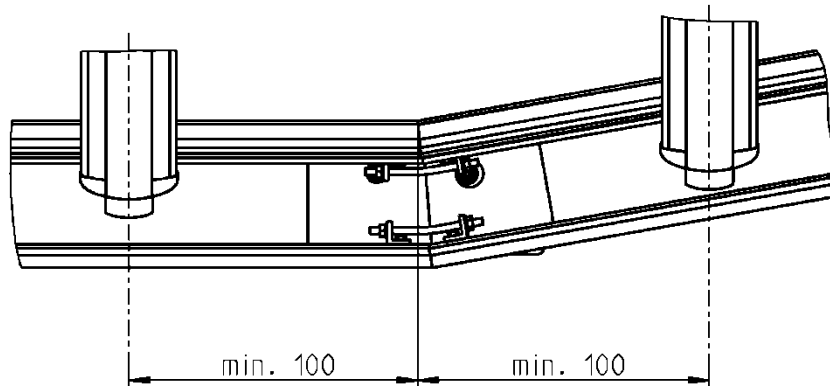
- The roof supports are fitted to the angled gutter using two 20 mm wide clamping sliders.
- The side roof supports on the angled guttering must be secured using an additional clamping slider to prevent them from sliding off to the side, taking both the roof pitch and the angle of the angled guttering into account.
- This will require filling the gap between the roof support clamping slider and the cut edge of the guttering with clamping sliders. Trim the clamping sliders to size if necessary.
- Leave 2 - 3 mm of play between the inserted clamping slider and the cut edge of the guttering to allow the guttering to compress.

Figure: Affixing the roof support to the gutter



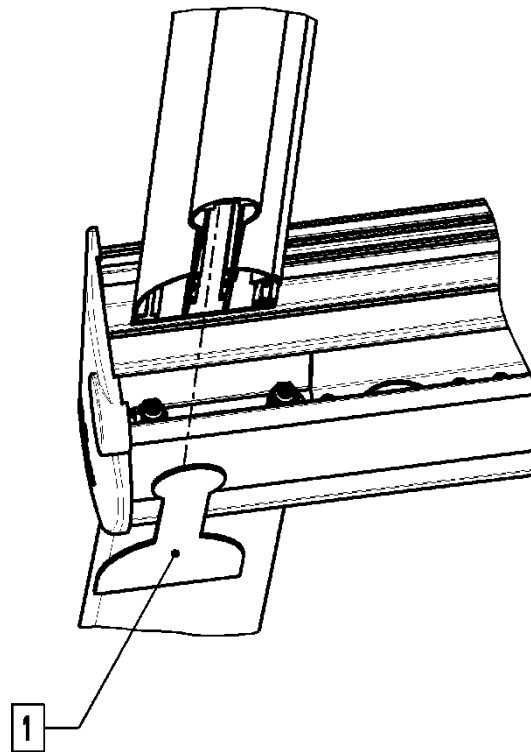
- | | |
|---|--|
| 1 | Additional clamping slider to prevent guttering from sliding off to the side |
| 2 | Dubo retaining ring M5 |
| 3 | 2-3 mm play to allow guttering to compress |

Figure: Distance of roof support from the joint



- When fitting a roof support next to a gutter joint, the distance between the centre of the roof support to the point where the outer edge of the Terrazza meets the kink in the guttering must be at least 100 mm.
- If the angled guttering is pitched at $\beta > 45^\circ$ or more, the front of the roof supports will need to be cut at an angle where they meet the guttering so that they do not abut against the guttering. The roof support cover cap can no longer be fitted to the roof supports in this case.
- The roof supports are covered using made-to-order plates. The cover plates must be glued onto the roof supports.

Figure: Fitting the roof support cover plate



1 Glue the cover plate to the roof support

5.4.4 Fitting the stops for the roof covering

- Fit angle brackets on the roof supports that rest on the angled guttering so that they can be used as stops for the roof covering.
- Fit glazing packers between the roof covering and the angle brackets.

Figure: Fitting the shim stops

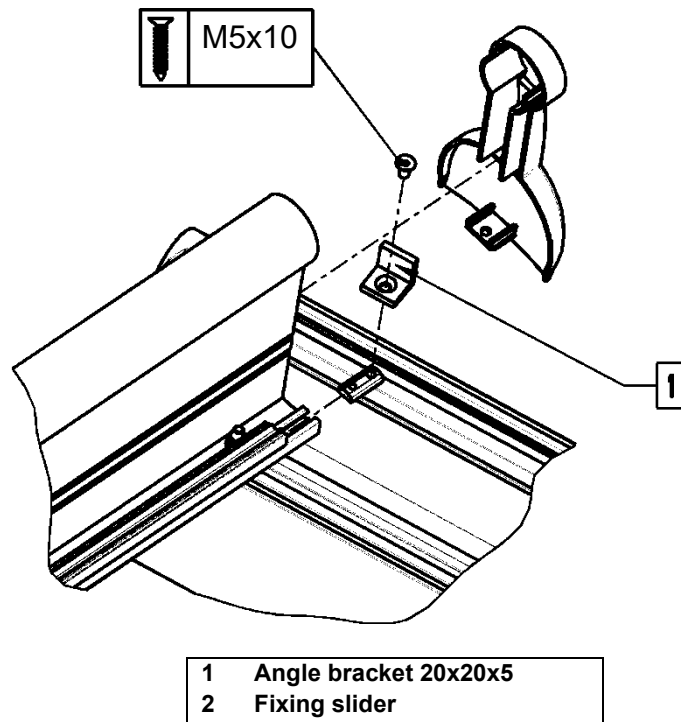
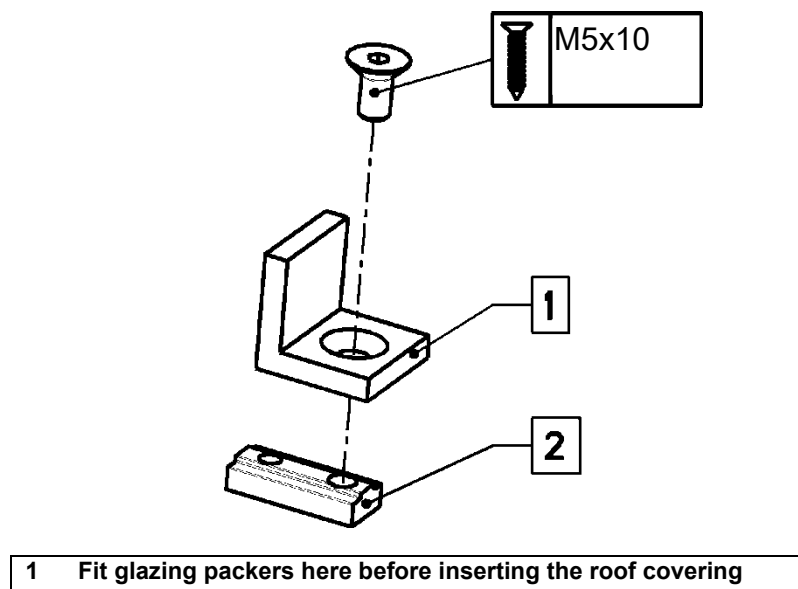


Figure: Shim stop



5.4.5 Sealing, caulking

When erecting the roof and following completion, seal all areas where water could penetrate into the interior. Always ensure you use appropriate sealants.

We recommend:

- „Take Seal“ from Fix-Tec for sealing
- „Klebfix“ from Würth for gluing the rubber seals

The following areas (among others) must be caulked:

- Gutter joints
- Posts that are fitted to the guttering without the post-to-guttering attachment must be sealed where they join the guttering (especially if these posts have a drain running through them)
- Along the abutting joint between the two roof support sections on the kinked side roof support

5.4.6 Miscellaneous installation notes

We do not need the drill holes in the wall bracket in order to construct the roof. The drill holes are not intended to indicate how many mounting holes are actually required on-site or whether the wall bracket can be affixed using the existing drill holes.

6 Engineering/production-related features

As with all industrially produced products, weinor Terrazza roofs may also contain unavoidable blemishes, which must be accepted for what they are. You may rest assured that we constantly seek to provide the best possible quality and keep enhancing it. The types of blemishes that may arise include:

Feature	Potential cause	Remedy		
		How?	By	See
Creaking noises in the guttering or roof support	Different materials expand differently when warm. This may result in an audible creaking sound.	<ul style="list-style-type: none"> None, as the expansion is unavoidable. See also for more information: https://bundesverband-wintergarten.de/wintergarten-kunden/haeufige-fragen 	/	/
Condensation on glass panes	Condensation forms as a result of water vapour in the air dripping onto cold surfaces when the air is below its so-called dew point temperature.	Cannot be remedied The possibility of condensation occurring cannot be excluded. The amount of condensation can be reduced by: Airing Heating Change of use	EC	6.1
Tiny air bubbles in glass	Minor quantities of air have been trapped in the glass during production and show up as bubbles.	Cannot be remedied A visual assessment is generally made in accordance with the guidelines of the respective national associations and/or the manufacturers.	/	/
Minor scratches in the glass	Production tolerances	Replace the panes/leaves A visual assessment is generally made in accordance with the guidelines of the respective national associations and/or the manufacturers.	R&P	/

Feature	Potential cause	Remedy		
		How?	By	See
Pimples on powder-coated parts	Minor accumulations have arisen while powder coating the parts.	Cannot be remedied A visual assessment is generally made in accordance with the guidelines of the respective national associations and/or the manufacturers.	/	/
Minor deviations in the colour of powder-coated parts	Despite using the same RAL colours, there is always a possibility of two parts being slightly different in colour. This especially occurs when using metal or iron effect paint.	Cannot be remedied A visual assessment is generally made in accordance with the guidelines of the respective national associations and/or the manufacturers.	/	/
Minor scratches on powder-coated parts	Production tolerances	Touch-up pen A visual assessment is generally made in accordance with the guidelines of the respective national associations and/or the manufacturers.	R&P/E C	/
Flash rust, pollutants	Particles in the air settle on the unit's components, resulting in minor traces of corrosion.	Treat with water and/or standard household stainless steel cleaners	EC	5.6
Legend: R&P - retailers and partners EC - end customer				

7 Disposal

Although this product does not contain any materials which pose a risk or danger to other people or the environment, the roof parts should nevertheless be disposed of properly.

weinor GmbH & Co. KG
Mathias-Brüggen-Straße 110
50829 Cologne
Germany
weinor.com

*weinor prints climate neutrally.
More information at: weinor.com/climate neutral print*