

Configuration details

weinor Ltd 73 Cornhill EC3V 3QQ London

C P Interiors

**Rue Des Pres Trading Estate
GB-JE2 7QN St Saviour Jersey**

reference: Kemp SO15595
Your order no.: SO15595
weinor customernumber: 165708
creation Date: 15.04.2024
weinor pers. in charge: William Abbott
phone / fax number: +49-221-59709-472
representat.: Chris Spickett
tel (representat.): 0044 (0) 7894443907

pos	quantity	article	price
1	1	weinor Terrazza	5.827,00

Roofsystem	: Terrazza L Originale	
Permissible snow-bearing load	: 750 N/m ²	
External dimensions	: 5200mm x 1875mm Depth: wall connection profile up to INSIDE edge of post	5.114,00
Bottom edge gutter (mm)	: 2000 mm	
Bottom edge connection to wall (mm)	: 2600 mm	
Top edge connection to wall (mm)	: 2796 mm	
Pitch of roof [°]	: 13,93 °	
info	:	
Basic colour	: WT029/90147 Approx. RAL 9007 Metallic	
Covering	: prepared for 10mm LSG	
Information about roofing	: Caution! The dimensions for web plates and/or glass cannot be changed and only apply to the covering you have selected!!	
basic element	: 101 Type A pent roof	
Seals	: silicone-containing seals	
Connection to wall left?	: No wall connection on left	
Connection to wall right?	: No wall connection on right	
Roof support type, inner roof supports	: 150 roof support without steel supports	
Roof support type, outer roof supports left	: 150 roof support without steel supports left	
Roof support type, outer roof supports right	: 150 roof support without steel supports right	
Further transoms across all roof sections	: no	
Axial dimension rafter	: 852,3 mm	

weinor Ltd
73 Cornhill
GB-EC3V 3QQ London
weinor.com

Managing Director:
Tim Fuldner
General partner:
Weinor Beteiligungs-GmbH
Köln

VAT no.: 335 2381 16
Company no.: 12193066
UTR no.: 33431 24084
EORI no.: GB335238116000

Domestic transfers:
Commerzbank London
Sort Code: 406201
Account Number: 307 537 10

International transfers:
Commerzbank London
IBAN: GB51 COBA 4062 0130 7537 10
Swift: MIDLGB22 a/c COBAGB2X

Configuration details

weinor Ltd 73 Cornhill EC3V 3QQ London

customer: 165708 reference: Kemp SO15595 Page 2 of 8

pos	quantity	article	price
		Number of posts : 2 Piece	
		Post position on the left : 53 mm	
		Post position on the right : 53 mm	
		Maximum spacing for posts when gutter has 1 x steel : 5850 mm for 1 x steel in gutter	
		Length of post : 3000 mm	
		Steel reinforcement for roof gutter : 1 * Galvanised flat steel	493,00
		Post attachment left : Affix using standard post plates	
		Post attachment right : Affix using standard post plates	
		Number of caps for standard post plate : 2 Piece	80,00
		.	
		Provision for fitting Sottezza. : 4 Piece	140,00
		Sottezza-Type : 0	
		Substructure elements available (from outside) : UBB glazing elements on both sides	
		Projection Sottezza II [mm] : 1839,6 mm	
		The specified length does account for 40 mm spacing from the wall or 20 mm from the guttering.	
		Distance from Sottezza to the wall : 40 mm	
		Distance from Sottezza to the gutter : 20 mm	
		Projection of WGM : 2044 mm	
		The specified length does account for 20 mm and an overhang on the end of rafter 30 mm from the guttering.	
		Weight [kg] : 176,875 kg	

value of goods	discount amount / %	net
5.827,00	2.330,80 / 40,00	3.496,20

Configuration details

weinor Ltd 73 Cornhill EC3V 3QQ London

customer: 165708 reference: Kemp SO15595 Page 3 of 8

pos	quantity	article	price
-----	----------	---------	-------

2	1	weinor Sottezza Originale Optistretch	2.863,00
---	---	---------------------------------------	----------

Product use	: private house		
Sales order Terrazza	: 503917245		
Posn. of the sales order for Terrazza	: 1		
Number of units	: 1 Field System		
width Terrazza [mm]	: 5200 mm		
Distance centre to centre	: 5052 mm		
Width of cassette total [mm]	: 5088 mm		
Projection [mm]	: 1839,6 mm		2.849,00
Basic colour	: WT029/90147 Approx. RAL 9007 Metallic		
Cable clips along the back of the cassette	: without cable clips along the back of the cassette		
type of control	: motor (Becker)		
Side of control (seen from the front)	: Left		
With remote control BiConnect	: Yes! Please remind the separate order!		
Information on BiConnect	: The BiConnect has been done in 503917245 position 3!		
Hirschmann plug tight?	: Hirschmann plug not assembled		14,00
Type of engine	:		
Side channel bracket	: 2 Piece		
brackets top plate	: 2 Piece		
Colour, cassette	:		
colour front rail	:		
Colour, side channel	:		
colour of guide rail end caps	:		
colour of guide bar brackets	:		
real-design	: WE3-501		
colour of thread Saba	: light beige		
Cardboard container	: edges reinforcement		
weight	: 74 kg		

value of goods	discount amount / %	net
----------------	---------------------	-----

2.863,00	1.145,20 / 40,00	1.717,80
----------	------------------	----------

weinor Ltd
73 Cornhill
GB-EC3V 3QQ London
weinor.com

Managing Director:
Tim Fuldner
General partner:
Weinor Beteiligungs-GmbH
Köln

VAT no.: 335 2381 16
Company no.: 12193066
UTR no.: 33431 24084
EORI no.: GB335238116000

Domestic transfers:
Commerzbank London
Sort Code: 406201
Account Number: 307 537 10

International transfers:
Commerzbank London
IBAN: GB51 COBA 4062 0130 7537 10
Swift: MIDLGB22 a/c COBAGB2X

Configuration details

weinor Ltd 73 Cornhill EC3V 3QQ London

customer: 165708 reference: Kemp SO15595 Page 4 of 8

pos	quantity	article	price
-----	----------	---------	-------

3	1	weinor BiConnect	226,00
----------	----------	-------------------------	---------------

deliver BiConnect separate?	: No; supply receiver and handheld remote control with awning	
shipment info	: The pre set receivers (except LED) and the handset will be packed with contract number 503917245 pos 2!	
Receiver for motor/ control	: 1 BiRec MA, basic	119,00
	: weinor BiConnect BiEasy 1M silver	107,00
learned on channel 1	: BiRec MA-K, basic for order 503917245/2: Sottezza Originale Optistretch engine left	

value of goods	discount amount / %	net
226,00	90,40 / 40,00	135,60

value of goods GBP	discount amount	net GBP	VAT (0 %)	Total GBP
8.916,00	3.566,40	5.349,60	0,00	5.349,60



Configuration details

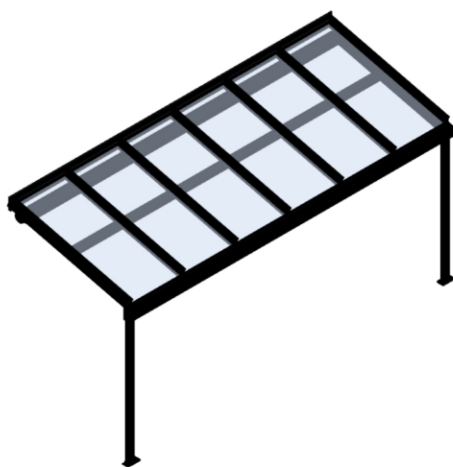
weinor Ltd 73 Cornhill EC3V 3QQ London

customer: 165708

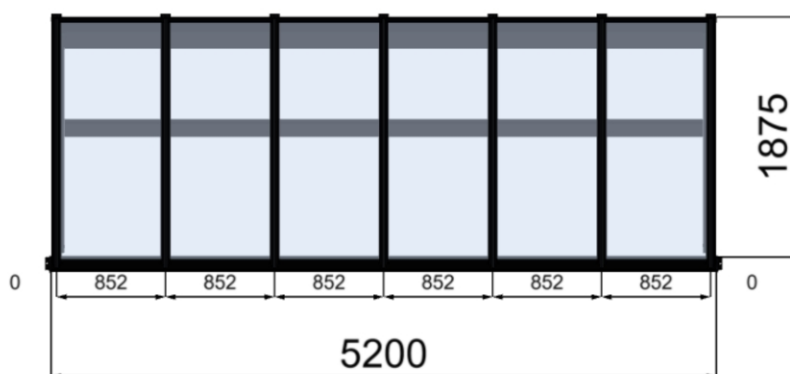
reference: Kemp SO15595

Page 5 of 8

isometric view



top view



weinor Ltd
73 Cornhill
GB-EC3V 3QQ London
weinor.com

Managing Director:
Tim Földner
General partner:
Weinor Beteiligungs-GmbH
Köln

VAT no.: 335 2381 16
Company no.: 12193066
UTR no.: 33431 24084
EORI no.: GB335238116000

Domestic transfers:
Commerzbank London
Sort Code: 406201
Account Number: 307 537 10

International transfers:
Commerzbank London
IBAN: GB51 COBA 4062 0130 7537 10
Swift: MIDLGB22 a/c COBAGB2X



Configuration details

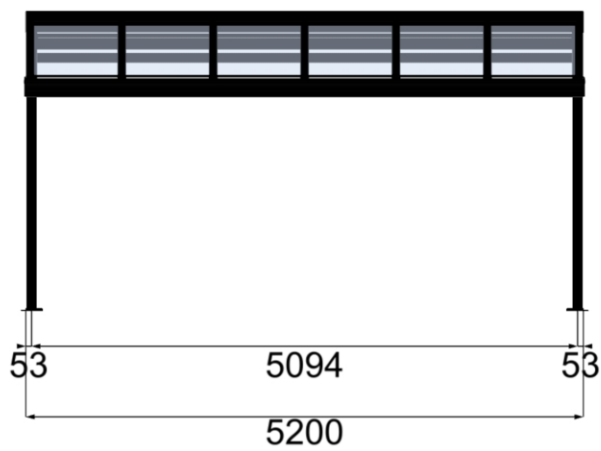
weinor Ltd 73 Cornhill EC3V 3QQ London

customer: 165708

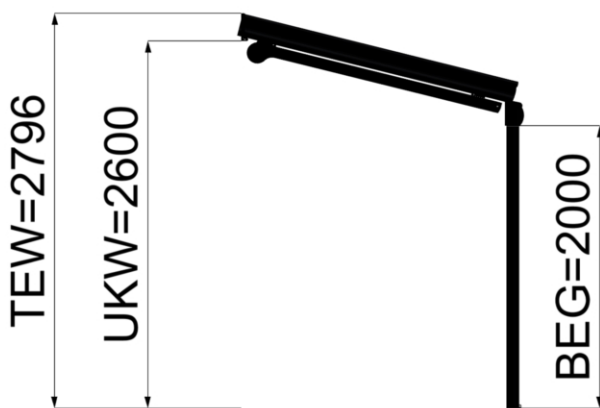
reference: Kemp SO15595

Page 6 of 8

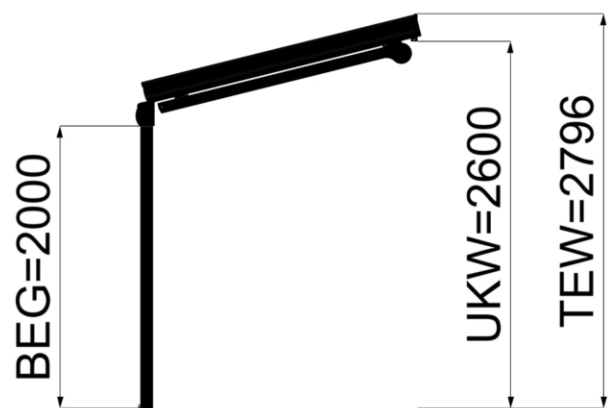
front view



side view left



side view right





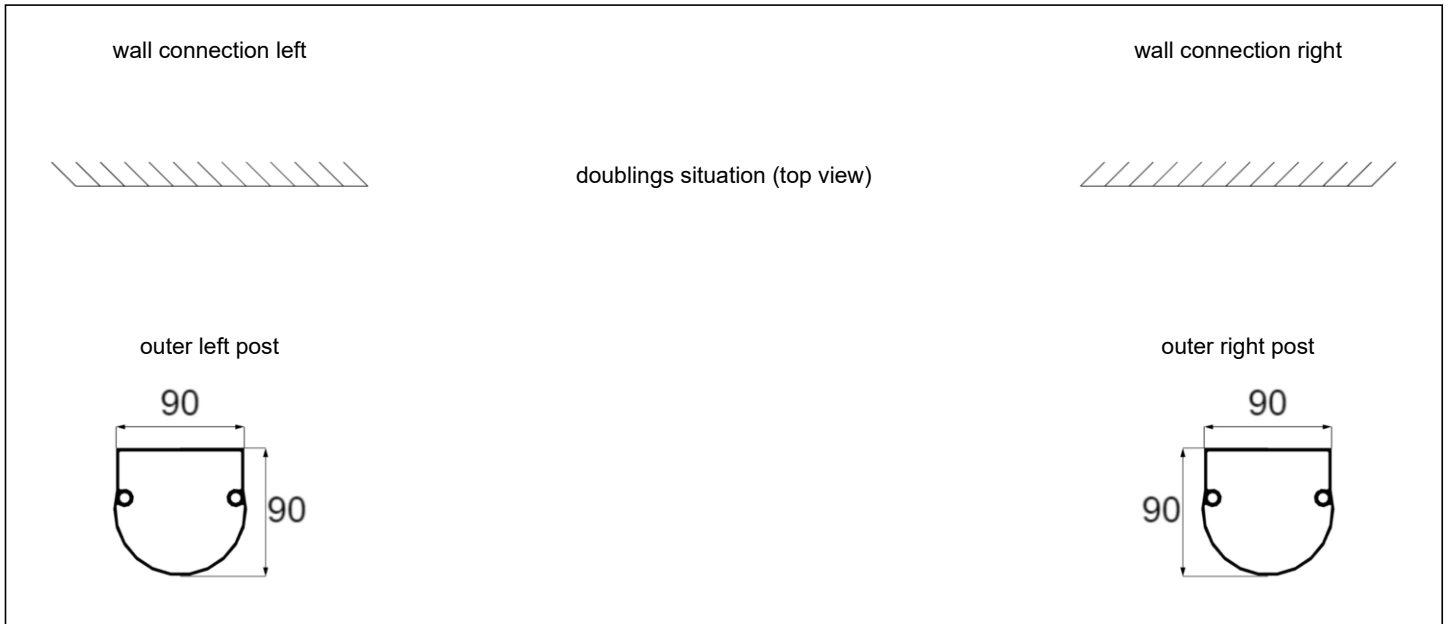
Configuration details

weinor Ltd 73 Cornhill EC3V 3QQ London

customer: 165708

reference: Kemp SO15595

Page 7 of 8



weinor Ltd
73 Cornhill
GB-EC3V 3QQ London
weinor.com

Managing Director:
Tim Földner
General partner:
Weinor Beteiligungs-GmbH
Köln

VAT no.: 335 2381 16
Company no.: 12193066
UTR no.: 33431 24084
EORI no.: GB335238116000

Domestic transfers:
Commerzbank London
Sort Code: 406201
Account Number: 307 537 10

International transfers:
Commerzbank London
IBAN: GB51 COBA 4062 0130 7537 10
Swift: MIDLGB22 a/c COBAGB2X

Configuration details

weinor Ltd 73 Cornhill EC3V 3QQ London

customer: 165708 reference: Kemp SO15595

Page 8 of 8

Note, these glass dimensions are not part of the order confirmation and are only part of the configuration from 15.4.2024.

Glass Dimensions

Position	1	Terrazza	prepared for 10mm LSG		
			Width	Height left	Height right
quantity	form				
6	rectangle		808	1943	1943