

weinor Ltd 73 Cornhill EC3V 3QQ London

C P Interiors

**Rue Des Pres Trading Estate
GB-JE2 7QN St Saviour Jersey**

delivery address


DSV Road Ltd
(NO UPS)
10 Brunel Way, Segensworth Industrial Estate
GB-PO15 5TX Hampshire, Fareham
NO UPS

ORDER CONFIRMATION (release 1)

sales order no.: 202865544 of 17.09.2024
customer: 165708
reference: SIMPLE SIMON
Your order no.: SO15578
contact person: William Abbott
E-Mail: WAbbott@weinor.de
phone number: +49-221-59709-472
representat.: 654 Chris Spickett
tel (representat.): 0044 (0) 7894443907

pos	quantity	article code
-----	----------	--------------

1	1,00	1410	Topas with hood
---	------	------	-----------------

expected delivery date	: 21.10.2024		
Product use	: gastronomy		
width (cm)	: 450	cm	
Projection [cm]	: 350	cm	2.282,00
Base colour	: RAL 2002 Vermilion		
	: 		
no. of arms	: 2	Piece	
insulation [mm]	: 0	mm	
bracket type 1	: wall bracket 85 mm compl.		
number of brackets 1	: 5	Piece	125,00

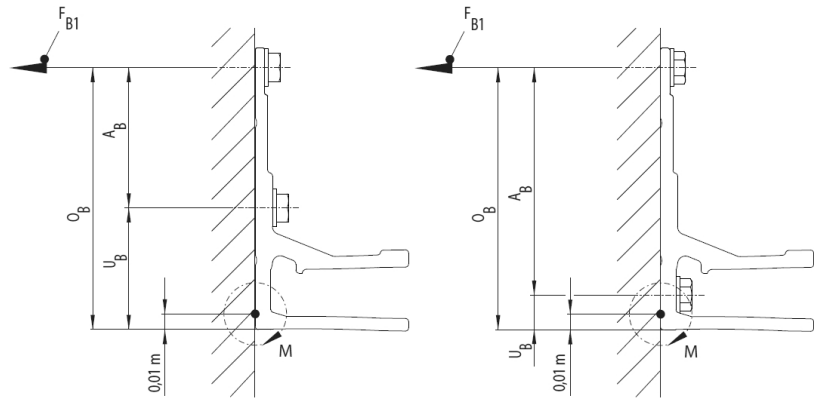
weinor Ltd
73 Cornhill
GB-EC3V 3QQ London
weinor.com

Managing Director:
Tim Fuldner
General partner:
Weinor Beteiligungs-GmbH
Köln

VAT no.: 335 2381 16
Company no.: 12193066
UTR no.: 33431 24084
EORI no.: GB335238116000

Domestic transfers:
Commerzbank London
Sort Code: 406201
Account Number: 307 537 10

International transfers:
Commerzbank London
IBAN: GB51 COBA 4062 0130 7537 10
Swift: MIDLGB22 a/c COBAGB2X



Force 1 means the pull-out force per upper fastener F(B).

FB1 Force 1 per fixing point	: 2148	N
Torque per folding arm [Nm]	: 679	Nm

Please note that your selected awning configuration results in the following forces per upper fixing point (pull-out, lateral and/or shear forces). These must be accounted for by using suitable fixings.

Bracket position KS 1 left [mm]	: 260	mm	
bracket position KS 1 right [mm]	: 260	mm	
bracket position KS 2 left [mm]	: 470	mm	
bracket position KS 2 right [mm]	: 470	mm	
bracket position KS 3 [mm]	: 2105	mm	
arm position A1 left	: 350	mm	
arm position A1 right	: 350	mm	
type of control	: Elero remote-controlled motor		122,00
Side of control (seen from the front)	: right		
With remote control	: Yes! Please remind the separate order!		
BiConnect	With remote control		
BiConnect			
Information on BiConnect	: The BiConnect has been done in 202865544 position 2!		
Hirschmann plug?	: Hirschmann plug not assembled		14,00
real-design	: WE3-840	gobi, my collections 2	

weinor Ltd 73 Cornhill EC3V 3QQ London

customer: 165708 sales order 202865544

Page 3 of 4

pos	quantity	article code
-----	----------	--------------

Glue fabric?	:	no, sewn fabric	
colour of thread Saba	:	red	
valance model	:	with valance (standard)	
shape	:	straight	
valance pattern repeat	:	standard	0
depth of valance [cm]	:	20	cm
binding tape standard	:	84 chestnut colored	
colour of thread Saba binding tape	:	98 kastanie	
colour of thread Saba valance plus	:	red	
Cardboard packaging	:	edges reinforcement	
weight	:	78	kg

value of goods	discount amount / %	net
2.543,00	1.017,20 / 40,00	1.525,80

2	1,00	2557	BiConnect
---	------	------	-----------

expected delivery date	:	21.10.2024	
deliver BiConnect separate?	:	No; supply receiver and handheld remote control with awning	
shipment info	:	The pre set receivers (except LED) and the handset will be packed with contract number 202865544 pos 1!	
control	:	BiConnect BiEasy 1M (silver version)	110,00
learned on channel 1	:	Funkmot SunTop-868 M40 - ohne Adapterset	for order 202865544/1: Topas mit Dach engine right
No. of BiSens Agido-3V	:	1	Piece 172,00

value of goods	discount amount / %	net
282,00	112,80 / 40,00	169,20

weinor Ltd
73 Cornhill
GB-EC3V 3QQ London
weinor.com

Managing Director:
Tim Fuldner
General partner:
Weinor Beteiligungs-GmbH
Köln

VAT no.: 335 2381 16
Company no.: 12193066
UTR no.: 33431 24084
EORI no.: GB335238116000

Domestic transfers:
Commerzbank London
Sort Code: 406201
Account Number: 307 537 10

International transfers:
Commerzbank London
IBAN: GB51 COBA 4062 0130 7537 10
Swift: MIDLGB22 a/c COBAGB2X

pos	quantity	article code
-----	----------	--------------

value of goods	discount amount	net	VAT (0 %)	Total GBP
2.825,00	1.130,00	1.695,00	0,00	1.695,00

Our spoken and written advice focuses on an explanation of the best possible use of our products and services. It does not liberate you from the obligation to check fitness of our products and services for your particular purpose. That includes the inspection of the general condition and especially maximum capacity load of fixing base as well as forwarding all respective information in addition to your order to weinor. That way delivery of the correct type and number of brackets is guaranteed. If our product can not be used as upon agreement due to false or lacking information we or any auxiliary person do accept contractual or non-contractual liabilities only in case of malicious intent or gross negligence.

Attention! In case of missing specification regarding brackets we deliver the awning including the correspondent brackets for wall fixing on concrete C20/25 with a header cowling up to 200 mm (non pressure resistant base). Please note that those brackets are not suitable for wall fixing other than concrete C20/25.

In this case we extend the delivery period in order for you to check your specific application and if necessary hand in the required information.

In order to mount all brackets corresponding their fixing base you will need suitable mounting systems. For mounting on concrete C20/25 we recommend heavy duty anchor-systems from fischer (e.g. FAZ II M12/10 GS or FAZ II M12/30 GS). In case of mounting on any other base referred to in our pricelist or on frontal concrete ceiling we recommend the use of injection systems from fischer (e.g. FIS V 360 S). You can order them directly from us.

If you use a different mounting system or your own brackets, you will need a table of pull-out resistance of screw anchors in order to determine the working load.

In addition, our General Terms of Delivery and Payment as per 01/2024, published under the link provided below are valid and we are happy to provide you with them free of charge upon request.

<https://www.weinor.com/terms-and-conditions/>

delivery exw Cologne
 payment: With direct debit 5% discount payment
 mode of dispatch UK export