

Mrs. Sharon Merren
 29 Belverdere
 Princess Tower Road
 St Saviour
 Jersey
 JE2 7BE

Date	Reference	Your Contact
12-04-2024	SO15575	Tamara
Customer Ref.		
Option 1 Cassita II without LED		

Quote

Our Price Promise to you
 We are so confident our pricing is competitive, that we will beat any written quotation for equivalent product by 5%

Supply & Fit/Supply Only

Location	Description	QTY	Price
	Awning / Canopy , Cassita II full cassette electrically operated awning, with vibration sensor, powder coated frame in Sparkling Iron Effect WT029/70786, with A/3-626 (WE3-626) fabric. Width 5.5m x 3m projection, including remote control. Left hand side Electrical works not included, <i>+ 3d designer photo / weaver link</i>	1	£ 5,324.00

Terms : 50% deposit due with order, 50% on completion

BACS Payment	
Bank:	NatWest
Sort Code:	60 12 03
Account No:	66577772
Carpet Protection (C.I) Ltd T/A CP Interiors	

Phone and Card Payment	
Payment can be made in person or by phone.	
If phone, please call us on 01534 768141 and have your card details ready.	
Note, we do not accept American Express or Cheque payments.	

Subtotal :	£ 5,324.00
GST :	£ 266.20
Total :	£ 5,590.20

Please note: This quotation is only valid for acceptance for 7 days. Our estimate does not include any electrical work or additional carpentry work to install the above unless otherwise specified. Please note there is a handling charge on customer own fabric of £7.50 per metre. Due to high costs of labour, pre-arranged missed fitting appointments will be charged on a time-wasted basis. Settlement is due on completion of works and an administration charge of £25 will be added per month if unpaid within 30 days. We reserve the right to charge for design, advice and liaison work carried out should an order not be placed. Goods remain the property of CP Interiors until full settlement is received. Should payment not be received we reserve the right to attend premises during working hours to remove goods and not be required to make good. Our full terms and conditions apply and are available on request.

RB

Client asked us to pass their contact details to Aston. Done on 16/05/24
 £2795.10 paid on 15/05/24

weinor Ltd 73 Cornhill EC3V 3QQ London

C P Interiors

**Rue Des Pres Trading Estate
GB-JE2 7QN St Saviour Jersey**

delivery address

DSV Road Ltd
(NO UPS)
10 Brunel Way, Segensworth Industrial Estate
GB-PO15 5TX Hampshire, Fareham
NO UPS

ORDER CONFIRMATION (release 1)

sales order no.: 202838459 of 18.05.2024
customer: 165708
reference: Merren
Your order no.: SO15575
contact person: William Abbott
E-Mail: WAbbott@weinor.de
phone number: +49-221-59709-472
representat. 654 Chris Spickett
tel (representat.): 0044 (0) 7894443907

pos	quantity	article code
-----	----------	--------------

1	1,00	1303 Cassita II
---	------	-----------------

expected delivery date	: 17.06.2024		
Product use	: private house		
width (cm)	: 550	cm	
Projection [cm]	: 300	cm	3.084,00
Base colour	: WT029/70786 Sparkling Iron Effect		
no. of arms	: 2	Piece	
insulation [mm]	: 0	mm	
bracket type 1	: wall fixing		
number of brackets 1	: 2	Piece	58,00

weinor Ltd
73 Cornhill
GB-EC3V 3QQ London
weinor.com

Managing Director:
Tim Földner
General partner:
Weinor Beteiligungs-GmbH
Köln

VAT no.: 335 2381 16
Company no.: 12193066
UTR no.: 33431 24084
EORI no.: GB335238116000

Domestic transfers:
Commerzbank London
Sort Code: 406201
Account Number: 307 537 10

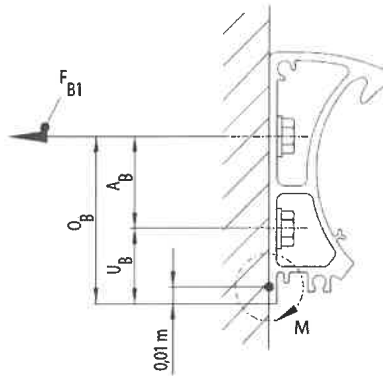
International transfers:
Commerzbank London
IBAN: GB51 COBA 4062 0130 7537 10
Swift: MIDLGB22 a/c COBAGB2X

weinor Ltd 73 Cornhill EC3V 3QQ London

customer: 165708 sales order 202838459

Page 2 of 4

pos	quantity	article code
-----	----------	--------------



Force 1 means the pull-out force per upper fastener F(B).

FB1 Force 1 per fixing point	: 3374	N
Torque per folding arm [Nm]	: 607	Nm

Please note that your selected awning configuration results in the following forces per upper fixing point (pull-out, lateral and/or shear forces). These must be accounted for by using suitable fixings.

bracket position left [mm]	: 90	mm
bracket position right [mm]	: 90	mm
arm position left	: 58	mm
arm position right	: 58	mm
type of control	: engine	
Side of control (seen from the front)	: Left	
With remote control	: Yes! Please remind the separate order!	
BiConnect		
Information on BiConnect	: The BiConnect has been done in 202838459 position 2!	
electrical engine connection	: 112865-0000 Kabel 4G0.75 L400 STAS3/C-Plug	
Hirschmann plug?	: Hirschmann plug not assembled	14,00
type of motor	: Motor L50-17-E12-V2+ f. 80er We Optimut	
real-design	: WE3-626	limestone, my collections 2
colour of thread Saba	: RAL 7001 Silver grey	

weinor Ltd
73 Cornhill
GB-EC3V 3QQ London
weinor.com

Managing Director:
Tim Földner
General partner:
Weinor Beteiligungs-GmbH
Köln

VAT no.: 335 2381 16
Company no.: 12193066
UTR no.: 33431 24084
EORI no.: GB335238116000

Domestic transfers:
Commerzbank London
Sort Code: 406201
Account Number: 307537 10

International transfers:
Commerzbank London
IBAN: GB51 COBA 4062 0130 7537 10
Swift: MIDLGB22 a/c COBAGB2X

weinor Ltd 73 Cornhill EC3V 3QQ London

customer: 165708 sales order 202838459

Page 3 of 4

pos quantity article code

Cardboard packaging : edges reinforcement
weight : 70 kg

value of goods	discount amount / %	net
3.156,00	1.262,40 / 40,00	1.893,60

2 1,00 2557 BiConnect

expected delivery date : 17.06.2024
 deliver BiConnect separate? : No; supply receiver and handheld remote control with awning
 shipment info : The pre set receivers (except LED) and the handset will be packed with contract number 202838459 pos 1!
 receiver for motor : 1 BiRec MA, basic 119,00
 control : BiConnect BiEasy 1M (silver version) 107,00
 learned on channel 1 : weinor BiConnect BiRec MA for order 202838459/1: with black cable Cassita II engine left
 No. of BiSens Agido-3V : 1 Piece 167,00

value of goods	discount amount / %	net
393,00	157,20 / 40,00	235,80

value of goods	discount amount	net	VAT (0 %)	Total GBP
3.549,00	1.419,60	2.129,40	0,00	2.129,40

Our spoken and written advice focuses on an explanation of the best possible use of our products and services. It does not liberate you from the obligation to check fitness of our products and services for your particular purpose. That includes the inspection of the general condition and especially maximum capacity load of fixing base as well as forwarding all respective information in addition to your order to weinor. That way delivery of the correct type and number of brackets is guaranteed. If our product can not be used as upon agreement due to false or lacking information we or any auxiliary person do accept contractual or non-contractual liabilities only in case of malicious intent or gross negligence.

In order to mount all brackets corresponding their fixing base you will need suitable mounting systems. For mounting on concrete C20/25 we recommend heavy duty anchor-systems from fischer (e.g. FAZ II M12/10 GS or FAZ II M12/30 GS). In case of mounting on any other base referred to in our pricelist or on frontal concrete ceiling we recommend the use of injection systems from fischer (e.g. FIS V 360 S). You can order them directly from us.

If you use a different mounting system or your own brackets, you will need a table of pull-out resistance of screw anchors in order to determine the working load.

In addition, our General Terms of Delivery and Payment as per 12/2021, published under the link provided below are valid and we are happy to provide you with them free of charge upon request.

<https://www.weinor.com/terms-and-conditions/>

delivery exw Cologne
payment: With direct debit 5% discount payment
mode of dispatch UK export

Configuration details

weinor Ltd 73 Cornhill EC3V 3QQ London

C P Interiors

Rue Des Pres Trading Estate
GB-JE2 7QN St Saviour Jersey

reference: Merren
Your order no.: SO15575
weinor customernumber: 165708
creation Date: 11.04.2024
weinor pers. in charge: William Abbott
phone / fax number: +49-221-59709-472
representat.: Chris Spickett
tel (representat.): 0044 (0) 7894443907

OPTIONAL

pos	quantity	article	price
1	1	weinor Cassita II	3.156,00
		Product use : private house	
		width [cm] : 550 cm	
		Projection [cm] : 300 cm	3.084,00
		Basic colour : WT029/70786 Sparkling Iron Effect	
		no. of arms : 2 Piece	
		insulation [mm] : 0 mm	
		bracket type 1 : wall fixing	
		number of brackets 1 : 2 Piece	58,00
		FB1 Force 1 per fixing point : 3374 N	
		M = Torque per folding arm : 607 Nm	
		bracket position left [mm] : 90 mm	
		bracket position right [mm] : 90 mm	
		arm position left : 58 mm	
		arm position right : 58 mm	
		type of control : engine	
		Side of control (seen from the front) : Left	
		With remote control BiConnect : Yes! Please remind the separate order!	
		Information on BiConnect : The BiConnect has been done in 503914800 position 2!	
		electrical engine connection : 112865-0000 Kabel 4G0.75 L400 STAS3/C-Plug	
		Hirschmann plug? : Hirschmann plug not assembled	14,00
		Type of engine :	
		real-design : WE3-626	
		colour of thread Saba : RAL 7001 Silver grey	
		Cardboard container : edges reinforcement	
		weight : 70 kg	

RB checked

weinor Ltd
73 Cornhill
GB-EC3V 3QQ London
weinor.com

Managing Director:
Tim Földner
General partner:
Weinor Beteiligungs-GmbH
Köln

VAT no.: 335 2381 16
Company no.: 12193066
UTR no.: 33431 24084
EORI no.: GB335238116000

Domestic transfers:
Commerzbank London
Sort Code: 406201
Account Number: 307 537 10

International transfers:
Commerzbank London
IBAN: GB51 COBA 4062 0130 7537 10
Swift: MIDLGB22 a/c COBAGB2X

Mrs. Sharon Merren
 29 Belvedere
 Princess Tower Road
 St Saviour
 Jersey
 JE2 7BE

Date	Reference	Your Contact
12-04-2024	SO15575Q1	Tamara
Customer Ref.		
Option 2 Cassita II with LED		

Quote

Our Price Promise to you
 We are so confident our pricing is competitive, that we will beat any written quotation for equivalent product by 5%

Supply & Fit/Supply Only

Location	Description	QTY	Price
	Awning / Canopy , Cassita II full cassette electrically operated awning, with vibration sensor and LED lights, powder coated frame in Sparkling Iron Effect WT029/70786, with A/3-626 (WE3-626) fabric. Width 5.5m x 3m projection, including remote control (with two channels to operate the lights separately from awning). Left hand side motor. Electrical works not included, <i>+ sd designer photo / weaver link</i>	1	£ 6,908.00

Terms : 50% deposit due with order, 50% on completion

BACS Payment		Phone and Card Payment		Subtotal : £ 6,908.00	
Bank:	NatWest	Payment can be made in person or by phone. If phone, please call us on 01534 768141 and have your card details ready. Note, we do not accept American Express or Cheque payments.		GST :	£ 345.40
Sort Code:	60 12 03			Total :	£ 7,253.40
Account No:	66577772				
Carpet Protection (C.I) Ltd T/A CP Interiors					

Please note: This quotation is only valid for acceptance for 7 days. Our estimate does not include any electrical work or additional carpentry work to install the above unless otherwise specified. Please note there is a handling charge on customer own fabric of £5 per metre. Due to high costs of labour, pre-arranged missed fitting appointments will be charged on a time-wasted basis. Settlement is due on completion of works and an administration charge of £25 will be added per month if unpaid within 30 days. We reserve the right to charge for design, advice and liaison work carried out should an order not be placed. Goods remain the property of CP Interiors until full settlement is received. Should payment not be received we reserve the right to attend premises during working hours to remove goods and not be required to make good. Our full terms and conditions apply and are available on request.

RB

Configuration details

weinor Ltd 73 Cornhill EC3V 3QQ London

C P Interiors

Rue Des Pres Trading Estate
GB-JE2 7QN St Saviour Jersey

reference: Merren (with LED)
Your order no.: SO15575Q1
weinor customernumber: 165708
creation Date: 11.04.2024
weinor pers. in charge: William Abbott
phone / fax number: +49-221-59709-472
representat.: Chris Spickett
tel (representat.): 0044 (0) 7894443907

OPTION 2

pos	quantity	article	price
1	1	weinor Cassita II LED	3.890,00
		Arm type : Arm with LongLife technology and high-tech belt	
		Product use : private house	
		width [cm] : 550 cm	
		Projection [cm] : 300 cm	3.818,00
		Basic colour : WT029/70786 Sparkling Iron Effect	
		no. of lamps : 9 Piece	
		no. of arms : 2 Piece	
		insulation [mm] : 0 mm	
		bracket type 1 : wall fixing	
		number of brackets 1 : 2 Piece	58,00
		FB1 Force 1 per fixing point : 3374 N	
		M = Torque per folding arm : 607 Nm	
		bracket position left [mm] : 90 mm	
		bracket position right [mm] : 90 mm	
		arm position left : 58 mm	
		arm position right : 58 mm	
		type of control : engine	
		Side of control (seen from the front) : Left	
		With remote control BiConnect : Yes! Please remind the separate order!	
		Information on BiConnect : The BiConnect has been done in 503914802 position 2!	
		Hirschmann plug? : Hirschmann plug not assembled	14,00
		light receiver : with remote-controlled receiver for lighting	
		Type of engine :	
		Installation multi-colour : plain coloured	
		real-design : WE3-626	

weinor Ltd
73 Cornhill
GB-EC3V 3QQ London
weinor.com

Managing Director:
Tim Földner
General partner:
Weinor Beteiligungs-GmbH
Köln

VAT no.: 335 2381 16
Company no.: 12193066
UTR no.: 33431 24084
EORI no.: GB335238116000

Domestic transfers:
Commerzbank London
Sort Code: 406201
Account Number: 30753710

International transfers:
Commerzbank London
IBAN: GB51 COBA 4062 0130 7537 10
Swift: MIDLGB22 a/c COBAGB2X

Configuration details

weinor Ltd 73 Cornhill EC3V 3QQ London

customer: 165708 reference: Merren (with LED) Page 2 of 2

pos	quantity	article			price
		colour of thread Saba	: RAL 7001 Silver grey		
		Cardboard container	: edges reinforcement		
		weight	: 70 kg		
			value of goods	discount amount / %	net
			3.890,00	1.556,00 / 40,00	2.334,00

2	1	weinor BiConnect			715,00
---	---	------------------	--	--	--------

deliver BiConnect separate?	: No; supply receiver and handheld remote control with awning				
shipment info	: The pre set receivers (except LED) and the handset will be packed with contract number 503914802 pos 1!				
Receiver for motor/light control	: 1 BiRec MLED, basic				417,00
	: weinor BiConnect BiEasy 5M silver				131,00
learned on channel 1	: BiRec MLED, basic for order 503914802/1: Cassita II LED engine left				
learned on channel 2	: BiRec MLED, basic for order 503914802/1: Cassita II LED				
No. of BiSens Agido-3V	: 1 Piece				167,00
			value of goods	discount amount / %	net
			715,00	286,00 / 40,00	429,00

value of goods GBP	discount amount	net GBP	VAT (0 %)	Total GBP
4.605,00	1.842,00	2.763,00	0,00	2.763,00

x 2.5 = £6908

Including remote

weinor Ltd
73 Cornhill
GB-EC3V 3QQ London
weinor.com

Managing Director:
Tim Földner
General partner:
Weinor Beteiligungs-GmbH
Köln

VAT no.: 335 2381 16
Company no.: 12193066
UTR no.: 33431 24084
EORI no.: GB335238116000

Domestic transfers:
Commerzbank London
Sort Code: 406201
Account Number: 307-537-10

International transfers:
Commerzbank London
IBAN: GB51 COBA 4062 0130 7537 10
Swift: MIDLGB22 a/c COBAGB2X