

weinor Ltd 73 Cornhill EC3V 3QQ London

C P Interiors

**Rue Des Pres Trading Estate
GB-JE2 7QN St Saviour Jersey**

delivery address

DSV Road Ltd
(NO UPS)
10 Brunel Way, Segensworth Industrial Estate
GB-PO15 5TX Hampshire, Fareham
NO UPS

ORDER CONFIRMATION (release 1)

sales order no.: 202838459 of 18.05.2024
customer: 165708
reference: Merren
Your order no.: SO15575
contact person: William Abbott
E-Mail: WAbbott@weinor.de
phone number: +49-221-59709-472
representat.: 654 Chris Spickett
tel (representat.): 0044 (0) 7894443907

| pos | quantity | article code |
|-----|----------|--------------|
|-----|----------|--------------|

| | | |
|---|------|-----------------|
| 1 | 1,00 | 1303 Cassita II |
|---|------|-----------------|

| | | | |
|------------------------|-------------------------------------|-------|----------|
| expected delivery date | : 17.06.2024 | | |
| Product use | : private house | | |
| width (cm) | : 550 | cm | |
| Projection [cm] | : 300 | cm | 3.084,00 |
| Base colour | : WT029/70786 Sparkling Iron Effect | | |
| no. of arms | : 2 | Piece | |
| insulation [mm] | : 0 | mm | |
| bracket type 1 | : wall fixing | | |
| number of brackets 1 | : 2 | Piece | 58,00 |

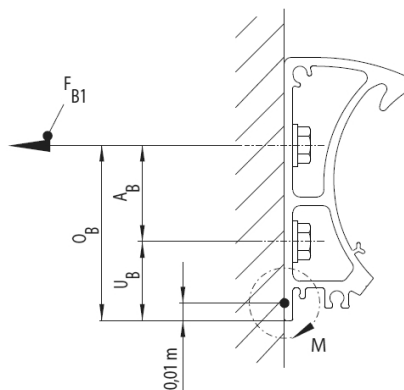
weinor Ltd
73 Cornhill
GB-EC3V 3QQ London
weinor.com

Managing Director:
Tim Fuldner
General partner:
Weinor Beteiligungs-GmbH
Köln

VAT no.: 335 2381 16
Company no.: 12193066
UTR no.: 33431 24084
EORI no.: GB335238116000

Domestic transfers:
Commerzbank London
Sort Code: 406201
Account Number: 307 537 10

International transfers:
Commerzbank London
IBAN: GB51 COBA 4062 0130 7537 10
Swift: MIDLGB22 a/c COBAGB2X



Force 1 means the pull-out force per upper fastener F(B).

| | | |
|------------------------------|--------|----|
| FB1 Force 1 per fixing point | : 3374 | N |
| Torque per folding arm [Nm] | : 607 | Nm |

Please note that your selected awning configuration results in the following forces per upper fixing point (pull-out, lateral and/or shear forces). These must be accounted for by using suitable fixings.

| | | |
|---------------------------------------|--|-----------------------------|
| bracket position left [mm] | : 90 | mm |
| bracket position right [mm] | : 90 | mm |
| arm position left | : 58 | mm |
| arm position right | : 58 | mm |
| type of control | : engine | |
| Side of control (seen from the front) | : Left | |
| With remote control | : Yes! Please remind the separate order! | |
| BiConnect | | |
| Information on BiConnect | : The BiConnect has been done in 202838459 position 2! | |
| electrical engine connection | : 112865-0000 Kabel 4G0.75 L400 STAS3/C-Plug | |
| Hirschmann plug? | : Hirschmann plug not assembled | 14,00 |
| type of motor | : Motor L50-17-E12-V2+ f. 80er We Optimut | |
| real-design | : WE3-626 | limestone, my collections 2 |
| colour of thread Saba | : RAL 7001 Silver grey | |

weinor Ltd 73 Cornhill EC3V 3QQ London

customer: 165708 sales order 202838459

Page 3 of 4

| pos | quantity | article code |
|-----|----------|--------------|
|-----|----------|--------------|

| | | |
|---------------------|---|---------------------|
| Cardboard packaging | : | edges reinforcement |
| weight | : | 70 kg |

| value of goods | discount amount / % | net |
|----------------|---------------------|----------|
| 3.156,00 | 1.262,40 / 40,00 | 1.893,60 |

| | | | |
|---|------|------|-----------|
| 2 | 1,00 | 2557 | BiConnect |
|---|------|------|-----------|

| | | |
|-----------------------------|---|---|
| expected delivery date | : | 17.06.2024 |
| deliver BiConnect separate? | : | No; supply receiver and handheld remote control with awning |
| shipment info | : | The pre set receivers (except LED) and the handset will be packed with contract number 202838459 pos 1! |
| receiver for motor | : | 1 BiRec MA, basic 119,00 |
| control | : | BiConnect BiEasy 1M (silver version) 107,00 |
| learned on channel 1 | : | weinor BiConnect BiRec MA for order 202838459/1: with black cable Cassita II engine left |
| No. of BiSens Agido-3V | : | 1 Piece 167,00 |

| value of goods | discount amount / % | net |
|----------------|---------------------|--------|
| 393,00 | 157,20 / 40,00 | 235,80 |

| value of goods | discount amount | net | VAT (0 %) | Total GBP |
|----------------|-----------------|----------|-----------|-----------|
| 3.549,00 | 1.419,60 | 2.129,40 | 0,00 | 2.129,40 |

weinor Ltd
73 Cornhill
GB-EC3V 3QQ London
weinor.com

Managing Director:
Tim Fuldner
General partner:
Weinor Beteiligungs-GmbH
Köln

VAT no.: 335 2381 16
Company no.: 12193066
UTR no.: 33431 24084
EORI no.: GB335238116000

Domestic transfers:
Commerzbank London
Sort Code: 406201
Account Number: 307 537 10

International transfers:
Commerzbank London
IBAN: GB51 COBA 4062 0130 7537 10
Swift: MIDLGB22 a/c COBAGB2X

Our spoken and written advice focuses on an explanation of the best possible use of our products and services. It does not liberate you from the obligation to check fitness of our products and services for your particular purpose. That includes the inspection of the general condition and especially maximum capacity load of fixing base as well as forwarding all respective information in addition to your order to weinor. That way delivery of the correct type and number of brackets is guaranteed. If our product can not be used as upon agreement due to false or lacking information we or any auxiliary person do accept contractual or non-contractual liabilities only in case of malicious intent or gross negligence.

In order to mount all brackets corresponding their fixing base you will need suitable mounting systems. For mounting on concrete C20/25 we recommend heavy duty anchor-systems from fischer (e.g. FAZ II M12/10 GS or FAZ II M12/30 GS). In case of mounting on any other base referred to in our pricelist or on frontal concrete ceiling we recommend the use of injection systems from fischer (e.g. FIS V 360 S). You can order them directly from us.

If you use a different mounting system or your own brackets, you will need a table of pull-out resistance of screw anchors in order to determine the working load.

In addition, our General Terms of Delivery and Payment as per 12/2021, published under the link provided below are valid and we are happy to provide you with them free of charge upon request.

<https://www.weinor.com/terms-and-conditions/>

delivery exw Cologne
payment: With direct debit 5% discount payment
mode of dispatch UK export