



CP INTERIORS

Renouf

Lecq Farm
Rue De Lecq
St Ouen

JE3 2BU

Date	Reference	Your Contact
06-03-2024	SO15445Q1	Tamara

Customer Ref.

Option 2 Romo Wisteria Pomelo in Main Bedroom

Quote

Fabrics reserved.

Our Price Promise to you

We are so confident our pricing is competitive, that we will beat any written quotation for equivalent product by 5%

Supply & Fit/Supply Only

Location	Description	QTY	Price
Kitchen W1	Roller blind, in Hydrangea Sky fabric (Band B). Manually operated with a left hand side silver chain ✓	1	£ 160.00
Kitchen W2	Roller blind, in Hydrangea Sky fabric (Band B). Manually operated with a left hand side silver chain ✓	1	£ 169.00
Living Room W1	Curtain Making, Hand finished pair of curtains, with a triple pleat header and standard lining.	1	£ 569.00
	Curtain Pole / Track, SG7610 in white with ball finials, standard gliders and top fix. Hand operation.	1	£ 405.00
Living Room W2	Curtain Making, Hand finished pair of curtains, with a triple pleat header and standard lining.	1	£ 554.00
	Curtain Pole / Track, SG7610 in white with ball finials, standard gliders and top fix. Hand operation.	1	£ 378.00
Living Room	Fabric, 18m of Beaumont Henna Pomegranate @£25 per metre, ✓	1	£ 450.00
Guest Bedroom 2 W1	Roman blind, with bonded blackout lining. Manually operated with a left hand side chain. ✓	1	£ 360.00
Guest Bedroom 2 W2	Roman blind, with bonded blackout lining. Manually operated with a right hand side chain. ✓	1	£ 360.00
Guest Bedroom 2	Fabric, 4m of Romo Odelia Blush 7980/02 @£76 per metre, ✓	1	£ 304.00
Main Bedroom W1	Roman blind, with bonded blackout lining. Manually operated with a left hand side chain. ✓	1	£ 360.00
Main Bedroom W2	Roman blind, with bonded blackout lining. Manually operated with a right hand side chain. ✓	1	£ 360.00
Main Bedroom	Fabric, 4m of Romo Wisteria Pomelo 7846/05 @£83 per metre, ✓	1	£ 332.00
Guest bedroom 1	Curtain Making, Hand finished pair of curtains, with a triple pleat header and standard lining. 80	1	£ 572.00
	Fabric, 12.5m of Romo Odelia Blush 7980/02 @£76 per metre, ✓	1	£ 950.00
	Curtain Pole / Track, SG7610 in white with ball finials, standard gliders and top fix. Hand operation.	1	£ 405.00

Terms : 50% deposit due with order, 50% on completion

BACS Payment	
Bank:	NatWest
Sort Code:	60 12 03
Account No:	66577772
Carpet Protection (C.I) Ltd T/A CP Interiors	

Phone and Card Payment
Payment can be made in person or by phone. If phone, please call us on 01534 768141 and have your card details ready. Note, we do not accept American Express or Cheque payments.

Subtotal :	£ 6,688.00
GST :	£ 334.40
Total :	£ 7,022.40

Please note: This quotation is only valid for acceptance for 14 days. Our estimate does not include any electrical work or additional carpentry work to install the above unless otherwise specified. Please note there is a handling charge on customer own fabric of £7.50 per metre. Due to high costs of labour, pre-arranged missed fitting appointments will be charged on a time-wasted basis. Settlement is due on completion of works and an administration charge of £25 will be added per month if unpaid within 30 days. We reserve the right to charge for design, advice and liaison work carried out should an order not be placed. Goods remain the property of CP Interiors until full settlement is received. Should payment not be received we reserve the right to attend premises during working hours to remove goods and not be required to make good. Our full terms and conditions apply and are available on request.

CURTAIN ORDER FORM WEBSITE

COMPANY CP Interiors	CUSTOMER: Renouf	ORDER REF: S015445Q1	CONTACT NAME: Tamara
--------------------------------	----------------------------	--------------------------------	--------------------------------

FABRIC DETAILS: Romo Odelia Blush 7980/02	FABRIC WIDTH: 141cm	FABRIC REPEAT: 77cm vertical repeat	QUANTITY: 12.5m	RAILROAD:
---	-------------------------------	---	---------------------------	------------------

COLOUR OF LINING IVORY OR ALMOND		
---	--	--

DATE : 10-04-24	PC PREMIUM LINING:	PC STANDARD LINING:	PC BLACKOUT LINING: YES	PC INTERLINING:	PC SATIN FLEECE LINING:
---------------------------	---------------------------	----------------------------	-----------------------------------	------------------------	--------------------------------

TRIM/BRAID /BORDER :	BORDER SIZE:	TOP:	BOTTOM:	LEADING EDGE:	RTN EDGE:
-----------------------------	---------------------	-------------	----------------	----------------------	------------------

ALL MEASUREMENTS MUST BE IN METRIC		PAIR 1	PAIR 2	PAIR 3
PAIR		Guest Bedroom Pair		
SINGLE				
WIDTHS PER CURTAIN				
OVERALL DROP		2106mm		
HOOK HEIGHT EYE DROP				
TRACK SIZE		1750mm		
OVERLAPS & RETURNS				

ADDITIONAL INFORMATION:
12.5m of Romo Odelia Blush 7980/02 already with you. Triple pleat and blackout lining.

INTERLINED - HANDSEWN			
LINED - HANDSEWN	YES		
LINED - MACHINE			
HEADING PENCIL			
HEADING TRIPLE PINCH	YES		
HEADING DOUBLE PINCH			

DEPTH OF BUCKRAM:	
SINGLE PLEAT & CARTRIDGE PLEAT(CIRCUMFERENCE OF PLEAT IN CM)	
CARTRIDGE FILLED OR UNFILLED	
HEADING WAVE	
INVISIBLE WAVE	

THIS ORDER INCLUDES ON A SEPARATE SHEET (PLEASE TICK APPROPRIATE BOX)	CURTAINS
--	----------

Rb checked

CURTAIN ORDER FORM WEBSITE

COMPANY CP Interiors	CUSTOMER: Renouf	ORDER REF: S015445	CONTACT NAME: Tamara
--------------------------------	----------------------------	------------------------------	--------------------------------

FABRIC DETAILS: Beaumont Henna Pomegranate	FABRIC WIDTH: 144cm	FABRIC REPEAT: 63.5cm vertical repeat	QUANTITY: 18m	RAILROAD:
--	-------------------------------	---	-------------------------	------------------

COLOUR OF LINING IVORY OR ALMOND				
---	--	--	--	--

DATE : 09-04-24	PC PREMIUM LINING:	PC STANDARD LINING: YES	PC BLACKOUT LINING:	PC INTERLINING:	PC SATIN FLEECE LINING:
---------------------------	---------------------------	-----------------------------------	----------------------------	------------------------	--------------------------------

TRIM/BRAID /BORDER :	BORDER SIZE:	TOP:	BOTTOM:	LEADING EDGE:	RTN EDGE:
-----------------------------	---------------------	-------------	----------------	----------------------	------------------

ALL MEASUREMENTS MUST BE IN METRIC		PAIR 1	PAIR 2	PAIR 3
PAIR		Living Room Pair 1	Living Room Pair 2	
SINGLE				
WIDTHS PER CURTAIN				
OVERALL DROP		1986mm	1976mm	
HOOK HEIGHT EYE DROP				
TRACK SIZE		1850mm	1520mm	
OVERLAPS & RETURNS				

ADDITIONAL INFORMATION:
18m of Beaumont Henna Pomegranate already with you. Triple pleat header and standard lining.

INTERLINED - HANDSEWN			
LINED - HANDSEWN	YES	YES	
LINED - MACHINE			
HEADING PENCIL			
HEADING TRIPLE PINCH	YES	YES	
HEADING DOUBLE PINCH			
DEPTH OF BUCKRAM:			
SINGLE PLEAT & CARTRIDGE PLEAT(CIRCUMFERENCE OF PLEAT IN CM)			
CARTRIDGE FILLED OR UNFILLED			
HEADING WAVE			
INVISIBLE WAVE			

THIS ORDER INCLUDES ON A SEPARATE SHEET (PLEASE TICK APPROPRIATE BOX)	CURTAINS
--	----------

RB checked

THE ROMO GROUP

Romo Ltd.
Oddicroft Lane
Sutton-in-Ashfield
Nottingham NG17 5FB

EORI No. GB116619866000
VAT Reg No. 116619866
Tel No. 00 44 1623 727016

ORDER CONFIRMATION

Invoice Address

CARPET PROTECTION (CI) LIMITED
T/A CP INTERIORS
RUE DES PRES TRADING ESTATE
ST SAVIOUR
JERSEY
JE2 7QN

Delivery Address

PREMIER CHOICE
3-5 ALGOES WAY

WISBECH CAMBS

PE13 2TQ

PAGE 1

Account	Invoice Date	Order No.	Carrier	Parcels	Your Order No.	Currency
57744	18/03/24	EX214700	UPS UK Standard		SO15445 RENOUF	STERLING

Quantity	Description	Price	%	Value
12.5	<p>METRES RF 7980/02 ODELIA BLUSH Commodity Code: 5516940000 70% Viscose 30% Linen This fabric has been dyed using reactive dyes. Do not apply any treatments to the face of the cloth as this may affect the colour</p> <p>We note these goods are being sent to an address that differs from the accounting address. It is particularly important you check visually that the goods physically correspond with the sample from which the order was placed. i.e. correct design, colour, shade etc.</p> <p>All supplies are made subject to the Romo Terms and Conditions of Sale (as amended), copies of which are available on request in our Trade Price List or on the trade section of our website at www.romo.com.</p>	39.50		493.75

THIS IS AN ORDER CONFIRMATION
PLEASE DO NOT PAY. A VAT INVOICE WILL FOLLOW.

VAT Summary		
Code	Goods	VAT
S 20.00%		98.75

Goods	493.75
VAT	98.75
Total	592.50

_index_OC042566

1

PREMIERCHOICE

MANUFACTURERS OF QUALITY CUSTOM MADE CURTAINS, PELMETS AND BLINDS

CP INTERIORS JERSEY
CP INTERIORS
RUE DES PRES TRADING ESTATE
ST SAVIOUR
JERSEY
JE2 7QN

Re: 5122 / 1 - SO15445 RENOUF

06 March 2024

Dear Customer,

THIS IS AN ESTIMATE ONLY. SHOULD YOU WISH TO PLACE AN ORDER KINDLY SEND A DETAILED WORKSHEET WHERE POSSIBLE USING THE PREMIER CHOICE ORDER FORM TO orders@premierchoice.co.uk

We thank you for your enquiry and we have the pleasure in estimating you as follows:

LIVING ROOM W1

1 Pair of Curtains Triple Pinch Pleat, Hand Finished Lined	£	227.64
Rail size of 185cm, Drop of 208cm, Overall rail size: 185cm, 2 Widths in each		
Making:	4	Widths
Fabric: 63.5cm pattern repeat	10.2	mts
Lining: Standard Lining	9.6	mts

£569

LIVING ROOM W2

1 Pair of Curtains Triple Pinch Pleat, Hand Finished Lined	£	221.76
Rail size of 152cm, Drop of 207cm, Overall rail size: 152cm, 1.5 Widths in each		
Making:	4	Widths
Fabric: 63.5cm pattern repeat	7.7	mts
Lining: Standard Lining	7.2	mts

£554

GUEST BEDROOM 1

1 Pair of Curtains Triple Pinch Pleat, Hand Finished Lined	£	228.62
Rail size of 175cm, Drop of 220cm, Overall rail size: 175cm, 2 Widths in each		
Making:	4	Widths
Fabric: 77cm pattern repeat	12.4	mts
Lining: Standard Lining	10	mts

£572

Others Subtotal: £ 678.02

Total: £ 678.02

Any additional work/material, not mentioned in the above estimate, will be invoiced for. Please note all Velvet fabrics are subject to 10% surcharge as per price list.

THIS IS AN ESTIMATE ONLY.

SHOULD YOU WISH TO PLACE AN ORDER KINDLY SEND A DETAILED WORKSHEET WHERE POSSIBLE USING THE PREMIERCHOICE ORDER FORM.

ALL EMAILED ORDERS PLEASE EMAIL TO ORDERS@PREMIERCHOICE.CO.UK
PLEASE QUOTE ESTIMATE NUMBER SUPPLIED.

Lead Times are subject to availability.

Assuring you of our best attention at all times.

E. & O.E

Yours Faithfully
SallyWaddilove
Premierchoice Ltd

Tropical Blinds Ltd

Unit 6 and 7 Five Arches Business Est
off Maidstone Road
Sidcup
Kent DA14 5AE
T: 020 8269 6400
F: 020 8269 6401



tropical
blinds

Order Acknowledgement

Cust Order No : SO15445Q1 RENOUF
Order Date : 18/03/2024
Order No : 884366
Account Ref : CPS007
Despatch method : DHL Economy
Delivery Date : 23/04/2024
Carriage Type : DHL Economy Select 2

Order to :

C.P Interiors
Rue Des Pres Trading Estate
St. Saviour
Jersey
Channel Islands
JE2 7QN

Deliver to :

C.P Interiors 2
Rue Des Pres Trading Estate
St Saviour
Jersey
Channel Islands
JE2 7QN

Type	Colour	Width	Drop	Quantity	Unit Price	Disc %	Net
Customers Own Roman	Customer's Own Fabric	1150	1350	1	135.06	10	143.87
Waterfall (Standard), Lining - Bonded BLACKOUT (with Fleece 400g EB), No Pelmet Req, Left Hand Control, Continuous Metal Chain Chrome, Not Required, Roman Breakaway Chain Mechanism					24.80		
No Power Supply Required					0.00		
Measurement:Blind Size Spec. Ins: 4m of Romo Odelia Blush 7980/02 for both blinds. Please pattern match.							
Install Height: Not Specified Location: Guest Bedroom 2 W1							
Customers Own Roman	Customer's Own Fabric	1150	1350	1	135.06	10	143.87
Waterfall (Standard), Lining - Bonded BLACKOUT (with Fleece 400g EB), No Pelmet Req, Right Hand Control, Continuous Metal Chain Chrome, Not Required, Roman Breakaway Chain Mechanism					24.80		
No Power Supply Required					0.00		
Measurement:Blind Size Spec. Ins: 4m of Romo Odelia Blush 7980/02 for both blinds. Please pattern match.							
Install Height: Not Specified Location: Guest Bedroom 2 W2							
Customers Own Roman	Customer's Own Fabric	1150	1350	1	135.06	10	143.87
Waterfall (Standard), Lining - Bonded BLACKOUT (with Fleece 400g EB), No Pelmet Req, Left Hand Control, Continuous Metal Chain Chrome, Not Required, Roman Breakaway Chain Mechanism					24.80		
No Power Supply Required					0.00		
Measurement:Blind Size Spec. Ins: 4m of Romo Wisteria Pomelo 7846/05 for both blinds. Please pattern match.							
Install Height: Not Specified Location: Main Bedroom W1							
Customers Own Roman	Customer's Own Fabric	1150	1350	1	135.06	10	143.87
Waterfall (Standard), Lining - Bonded BLACKOUT (with Fleece 400g EB), No Pelmet Req, Right Hand Control, Continuous Metal Chain Chrome, Not Required, Roman Breakaway Chain Mechanism					24.80		
No Power Supply Required					0.00		
Measurement:Blind Size Spec. Ins: 4m of Romo Wisteria Pomelo 7846/05 for both blinds. Please pattern match.							

Install Height: Not Specified Location: Main Bedroom W2

If a Premium carriage service is requested (Pre Noon, Pre 10.30, Saturday or Saturday Pre Noon) the relevant charge will be applied to your invoice. Goods delivered to the following areas: Cornwall, Dyfed, Powys, Anglesey, Gwynedd, Scotland, Isle of Wight, Isle of Man, Isle of Scilly, Channel Isles, Northern Ireland and Republic of Ireland will be subject to a carriage charge as detailed on Page 2 of our trade price list. These carriage charges may not appear on your order acknowledgement but will be applied to your invoice

Net Price :	£575.48
VAT :	£0.00
Total :	£575.48

Tropical Blinds Ltd

Quotation
Customer Copy

Unit 6 and 7 Five Arches Business Est
off Maidstone Road
Sidcup
Kent
DA14 5AE
Tel: 020 8269 6400 Fax: 020 8269 6401

Vat No: 324 0532 02
Cust Order No: SO15445 RENOUF
Order Date: 13/03/2024
Order No: 4133943
Cust Ref:
Account Ref: CPS007
Despatch Method:DHL Economy

Order To:
C.P Interiors 2
Rue Des Pres Trading Estate
St Saviour
Jersey
Channel Islands
JE2 7QN

Deliver To:
C.P Interiors 2
Rue Des Pres Trading Estate
St Saviour
Jersey
Channel Islands
JE2 7QN

Type	Colour	Width	Drop	Quantity	Unit Price	Disc %	Net
1. Customers Own Roman	Customer`s Own Fabric	1150	1350	1	135.06	10	143.87
Waterfall (Standard), Lining - Bonded BLACKOUT (with Fleece 400g EB), No Pelmet Req, Left Hand Control, Continuous Metal Chain Chrome, N/A, None Required, No Handset Required, No Power Supply Required, Not Required, Roman Breakaway Chain Mechanism Measurement: Blind Size Spec. ins: 4m of Romo Odelia Blush 7980/02 for both blinds. Please pattern match. Location: Guest Bedroom 2 W1 Fitting ins:							24.80
Chain Length: 800							
2. Customers Own Roman	Customer`s Own Fabric	1150	1350	1	135.06	10	143.87
Waterfall (Standard), Lining - Bonded BLACKOUT (with Fleece 400g EB), No Pelmet Req, Right Hand Control, Continuous Metal Chain Chrome, N/A, None Required, No Handset Required, No Power Supply Required, Not Required, Roman Breakaway Chain Mechanism Measurement: Blind Size Spec. ins: 4m of Romo Odelia Blush 7980/02 for both blinds. Please pattern match. Location: Guest Bedroom 2 W2 Fitting ins:							24.80
Chain Length: 800							
3. Customers Own Roman	Customer`s Own Fabric	1150	1350	1	135.06	10	143.87
Waterfall (Standard), Lining - Bonded BLACKOUT (with Fleece 400g EB), No Pelmet Req, Left Hand Control, Continuous Metal Chain Chrome, N/A, None Required, No Handset Required, No Power Supply Required, Not Required, Roman Breakaway Chain Mechanism Measurement: Blind Size Spec. ins: 4m of Romo Wisteria Pomelo 7846/05 for both blinds. Please pattern match Location: Main Bedroom W1 Fitting ins:							24.80
Chain Length: 800							
4. Customers Own Roman	Customer`s Own Fabric	1150	1350	1	135.06	10	143.87
Waterfall (Standard), Lining - Bonded BLACKOUT (with Fleece 400g EB), No Pelmet Req, Right Hand Control, Continuous Metal Chain Chrome, N/A, None Required, No Handset Required, No Power Supply Required, Not Required, Roman Breakaway Chain Mechanism Measurement: Blind Size Spec. ins: 4m of Romo Wisteria Pomelo 7846/05 for both blinds. Please pattern match Location: Main Bedroom W2 Fitting ins:							24.80
Chain Length: 800							
5. Roller	Hydrangea Sky R/F (E)	790	1100	1	99.52	51.92	47.85
32mm Roller Tube, Standard Brackets Req., Standard P.V.C. Bottom Rail - 5m - White, Left Hand Control, White, Silver No. 10 Metal Operating Chain, No Scallop, No Braid Required, N/A, No Pole, No Finial, No Eyelets Required, No Pull Required, No Hold Down Clips Required, Standard Roll, No Specials, No Specials, Easybreak No.10 Chain Connector - Grey For Metal Chain, Not Applicable Measurement: Blind Size Spec. ins: Location: Kitchen W1 Fitting ins:							
Chain Length: 700							
6. Roller	Hydrangea Sky R/F (E)	1210	900	1	107.36	51.92	51.62
32mm Roller Tube, Standard Brackets Req., Standard P.V.C. Bottom Rail - 5m - White, Left Hand Control, White, Silver No. 10 Metal Operating Chain, No Scallop, No Braid Required, N/A, No Pole, No Finial, No Eyelets Required, No Pull Required, No Hold Down Clips Required, Standard Roll, No Specials, No Specials, Easybreak No.10 Chain Connector - Grey For Metal Chain, Not Applicable Measurement: Blind Size Spec. ins: Location: Kitchen W2 Fitting ins:							
Chain Length: 500							

Net Total: 674.95
VAT: 0.00
Total: 674.95

THE ROMO GROUP

Romo Ltd.
Oddicroft Lane
Sutton-in-Ashfield
Nottingham NG17 5FB

EORI No. GB116619866000
VAT Reg No. 116619866
Tel No. 00 44 1623 727016

ORDER CONFIRMATION

Invoice Address

CARPET PROTECTION (CI) LIMITED
T/A CP INTERIORS
RUE DES PRES TRADING ESTATE
ST SAVIOUR
JERSEY
JE2 7QN

Delivery Address

TROPICAL BLINDS
UNITS 6-7 FIVE ARCHES BUSINESS EST
OFF MAIDSTONE ROAD
SIDCUP KENT

DA14 5AQ

PAGE 1

Account	Invoice Date	Order No.	Carrier	Parcels	Your Order No.	Currency
57744	18/03/24	EX214697	UPS UK Standard		SO15445 RENOUF	STERLING

Quantity	Description	Price	%	Value
4.0	METRES RF 7980/02 ODELIA BLUSH Commodity Code: 5516940000 70% Viscose 30% Linen This fabric has been dyed using reactive dyes. Do not apply any treatments to the face of the cloth as this may affect the colour	39.50		158.00
4.0	METRES RF 7846/05 WISTERIA POMELO Commodity Code: 5309190000 100% Linen This fabric has been dyed using reactive dyes. Do not apply any treatments to the face of the cloth as this may affect the colour	41.50		166.00

We note these goods are being sent to an address that differs from the accounting address. It is particularly important you check visually that the goods physically correspond with the sample from which the order was placed. i.e. correct design, colour, shade etc.

All supplies are made subject to the Romo Terms and Conditions of Sale (as amended), copies of which are available on request in our Trade Price List or on the trade section of our website at www.romo.com.

THIS IS AN ORDER CONFIRMATION
PLEASE DO NOT PAY. A VAT INVOICE WILL FOLLOW.

VAT Summary		
Code	Goods	VAT
S 20.00%		64.80

Goods	324.00
VAT	64.80
Total	388.80

_index_OC042564

1

Order Confirmation



Silent Gliss Limited
 Pyramid Business Park, Poorhole Lane
 Broadstairs, Kent, CT10 2PT, England
 01843 863571.
 info@silentgliss.co.uk
 www.silentgliss.co.uk



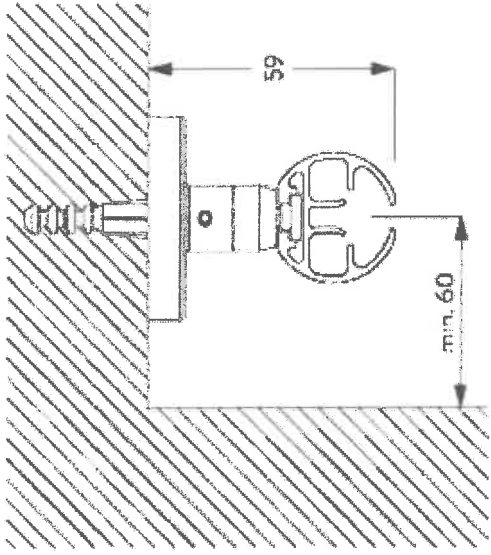
Silent Gliss Order No: 949602/1
Customer Reference: SO15445Q1
Account No: 0028823
Order Date: 24/04/2024
Anticipated Despatch Date: 26/04/2024
Carrier Shipping Goods: COLLECT
Carrier Service: COLLECTED
Internal Contact: Sally Brown

Invoice address:
 C P Interiors
 Rue des Pres Trading Estate
 Longueville
 St Saviour, Jersey
 EORI: GB013519254000
 JE2 7QN

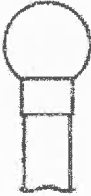
Delivery address:
 C P Interiors
 Rue des Pres Trading Estate
 Longueville
 St Saviour
 Jersey INCOTERMS DAP
 JE2 7QN

Order Details	Qty	Net Value (GBP)
11746 W BALL END SET 30MM WHITE 6103 Value in GBP	6.00	308.34
Discount @ 50.000% & .000%	1.00	154.17-
Net in GBP 154.17		
11668 W In Units of : 10 TOP FIX BRACKET SET WHITE **TO BE ASSEMBLED** Value in GBP	1.10	207.63
Discount @ 50.000% & .000%	1.00	103.82-
Net in GBP 103.81		
<i>Steve to use to make tracks.</i>		
Total (Ex. VAT):		£257.98

**Top fix bracket
SG 11668**



4

	SG 11734	66	50
---	---------------------	----	----

SG 11746 Ball End Set with Connector for Hand operated 30mm Metropole.

Order For Curtain Pole / Track

Supplier	Silent Gliss
Order No.	SO15445Q1
Customer Ref.	Option 2 Romo Wisteria Demole in Main
Contact Tel.	01534 768141
Date of Order	11-03-2024
Date Required	22-04-2024

Invoice Details	
Name	C P Interiors
Address	Rue des Pres Trading Estate St Saviour Jersey
Postcode	JE2 7QP
Phone	01534 768141

Delivery Details	
Name	C P Interiors
Address	Rue des Pres Trading Estate St Saviour Jersey
Postcode	JE2 7QP
Phone	01534 768141

Curtain Type	Qty	Width	Drop	Fitting Height	Material	Pair/Single	Surface/Fixings	Location
	1	1650	0			PAIR		Living Room W1
Further Instructions : SG7610 in white with ball finials, standard gliders and top fix. Hand operation.								
	1	1320	0			PAIR		Living Room W2
Further Instructions : SG7610 in white with ball finials, standard gliders and top fix. Hand operation.								
	1	1550	0			PAIR		Guest Bedroom 1
Further Instructions : SG7610 in white with ball finials, standard gliders and top fix. Hand operation.								

RB checked ✓

White ball finials to be ordered. ^{+ connectors} > Ordered 24/04/24
Do we have brackets in stock?

Work Diary

Staff Name: Adrian

Order No: SO15445

Measurer or Fitter: Measurer

Contact Address: Mr & Mrs. Renouf, Lecq Farm, Rue De Lecq, St Ouen, JE3 2BU, 482016, 07797888151,

Customer Ref:

Date: 28-02-2024

Time: 10:00

Notes: To discuss options for window dressing (farm house). They were thinking of something traditional. Please take samples kept in office

To check blind next door when fitting

Location	Supplier	Blind Type / Description	Colour	Qty	Width	Drop	Fitting Height	Blind/Recess	Controls	Brackets	Surface	Unit Price
Kitchen		roller	Hydrangea		790	1100	#	B/S	LTR	TOP		
"		"	SKY		1210	900	#	"	LTR	TOP		
LIV		Pair Triple plext curtain on SS Mergable		1	1650	2050 2060	F/C	F/C		TOP		
		50m white			TW	F/C	carpet					
		with BAM panels			1320	2080 2050	F/C			-59	-> track + finish + brackets	
Guest Bed 2		awnings		2	1150	1350	#	B/S	LTR	FAKE		
Main Bed		awnings		2	# FK	200	Above Recess					
Guest Bed 1		Pair Triple plext on Mergable AI LW	BLO	1	1550	2000 2180						
					T/W		carpet					

Requested quote from PC on 04/03

Order Date: TUES

FK in front of window when TUES

Customer Signature: X
I have checked and agree with the above choices

Target Fitting Date:

Comments: Not Eagle Lecq Farm
Go to end of RD NOT DEAD end

ROLLER
BLIND

Kitchen blinds (Roman)

~~Beaumont Textiles: Eregarto: Yama Lagoon~~

~~Warwick - Vanity Fair Collection - Osborne Blue~~

Master Bedroom - Blinds (Roman)

Roma Pluma 7980/04 Odellia Agate

OR 7846/05 Wisteria Pavele

Lounge Curtains

~~Beaumont Textiles: Papyrus: Henna Pomegranate~~

~~Roma Pluma 7977/02 Chisaco Sorbet~~

~~or Warwick Woodland Autumn~~

Guest Bedroom 1 - Curtains

Roma Pluma - 7980/02 Odellia Stone

Blush

PTO

Guest-Bedroom 2 Blinds (Roman)

~~Beaman Textiles: Papyrus Lotus Romanate~~

Roma Pluma: 7980/02 Odeia Blush

Tropical Blinds Ltd

Quotation
Customer Copy

Unit 6 and 7 Five Arches Business Est
off Maidstone Road
Sidcup
Kent
DA14 5AE
Tel: 020 8269 6400 Fax: 020 8269 6401

Vat No: 324 0532 02
Cust Order No: SO15445 RENOUF
Order Date: 04/03/2024
Order No: 4133943
Cust Ref:
Account Ref: CPS007
Despatch Method:DHL Economy

Order To:
C.P Interiors 2
Rue Des Pres Trading Estate
St Saviour
Jersey
Channel Islands
JE2 7QN

Deliver To:
C.P Interiors 2
Rue Des Pres Trading Estate
St Saviour
Jersey
Channel Islands
JE2 7QN

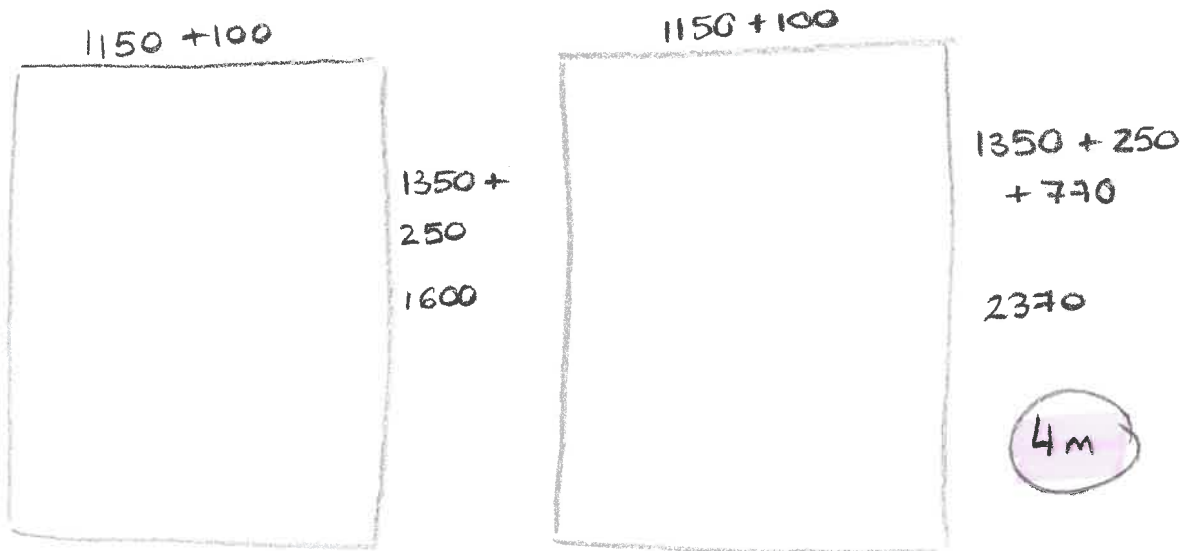
Type	Colour	Width	Drop	Quantity	Unit Price	Disc %	Net
1. Customers Own Roman	Customer`s Own Fabric	1150	1350	1	135.06	10	143.87
Waterfall (Standard), Lining - Bonded BLACKOUT (with Fleece 400g EB), No Pelmet Req, Left Hand Control, Continuous Metal Chain Chrome, N/A, None Required, No Handset Required, No Power Supply Required, Not Required, Roman Breakaway Chain Mechanism						24.80	
Measurement: Blind Size Spec. ins:				Chain Length: 800			£360
<hr/>							
2. Customers Own Roman	Customer`s Own Fabric	1150	1350	1	135.06	10	143.87
Waterfall (Standard), Lining - Bonded BLACKOUT (with Fleece 400g EB), No Pelmet Req, Right Hand Control, Continuous Metal Chain Chrome, N/A, None Required, No Handset Required, No Power Supply Required, Not Required, Roman Breakaway Chain Mechanism						24.80	
Measurement: Blind Size Spec. ins:				Chain Length: 800			£360
<hr/>							
3. Customers Own Roman	Customer`s Own Fabric	1150	1350	1	135.06	10	143.87
Waterfall (Standard), Lining - Bonded BLACKOUT (with Fleece 400g EB), No Pelmet Req, Left Hand Control, Continuous Metal Chain Chrome, N/A, None Required, No Handset Required, No Power Supply Required, Not Required, Roman Breakaway Chain Mechanism						24.80	
Measurement: Blind Size Spec. ins:				Chain Length: 800			£360
<hr/>							
4. Customers Own Roman	Customer`s Own Fabric	1150	1350	1	135.06	10	143.87
Waterfall (Standard), Lining - Bonded BLACKOUT (with Fleece 400g EB), No Pelmet Req, Right Hand Control, Continuous Metal Chain Chrome, N/A, None Required, No Handset Required, No Power Supply Required, Not Required, Roman Breakaway Chain Mechanism						24.80	
Measurement: Blind Size Spec. ins:				Chain Length: 800			£360

Net Total: 575.48
VAT: 0.00
Total: 575.48

MASTER BEDROOM:

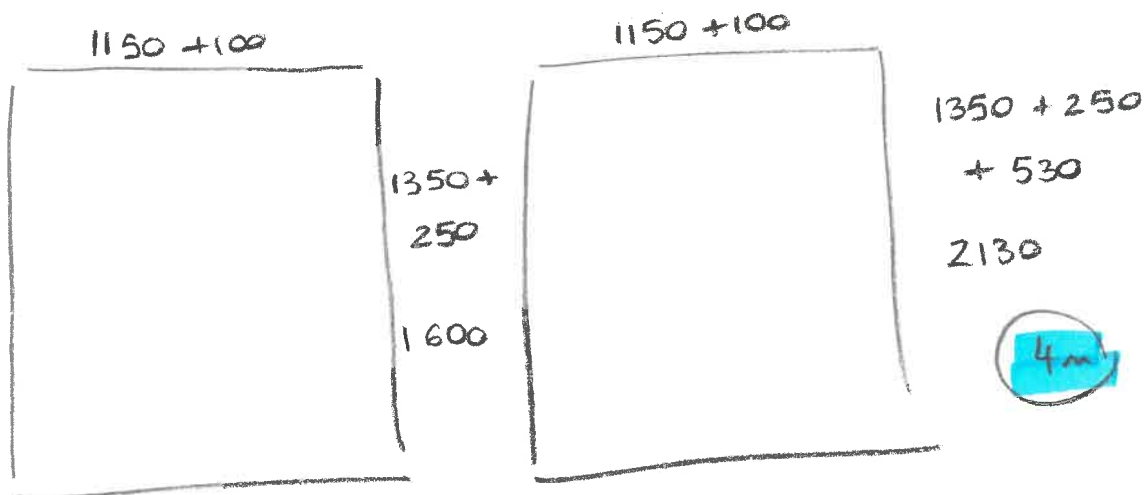
OPTION 1 Romo Ploma 7980/04 Odelia Agate @ £76 p/m

141 cm wide ↓ 77 cm ↔ 141 cm



OPTION 2 Romo Wisteria Pamela 7846/05 @ £83 p/m

139 cm wide ↓ 53 cm ↔ 93 cm



GUEST BEDROOM 2: Odelia Blush 7980/02

As option 1 above 4m

30mm Metropole White with ball finials

Living Room: £270.26 - 40% × 2.5 = £405

£251.69 - 40% × 2.5 = £378

Guest Bedroom 1: £270.26 - 40% × 2.5 = £405

Tropical Blinds Ltd

Quotation
Customer Copy

Unit 6 and 7 Five Arches Business Est
off Maidstone Road
Sidcup
Kent
DA14 5AE
Tel: 020 8269 6400 Fax: 020 8269 6401

Vat No: 324 0532 02
Cust Order No: SO15445 RENOUF
Order Date: 06/03/2024
Order No: 4133943
Cust Ref:
Account Ref: CPS007
Despatch Method:DHL Economy

Order To:
C.P Interiors 2
Rue Des Pres Trading Estate
St Saviour
Jersey
Channel Islands
JE2 7QN

Deliver To:
C.P Interiors 2
Rue Des Pres Trading Estate
St Saviour
Jersey
Channel Islands
JE2 7QN

Type	Colour	Width	Drop	Quantity	Unit Price	Disc %	Net
1. Customers Own Roman	Customer`s Own Fabric	1150	1350	1	135.06	10	143.87
Waterfall (Standard), Lining - Bonded BLACKOUT (with Fleece 400g EB), No Pelmet Req, Left Hand Control, Continuous Metal Chain Chrome, N/A, None Required, No Handset Required, No Power Supply Required, Not Required, Roman Breakaway Chain Mechanism						24.80	
Measurement: Blind Size Spec. ins:				Chain Length: 800			
Location: Guest Bedroom 2 W1 Fitting ins:							
2. Customers Own Roman	Customer`s Own Fabric	1150	1350	1	135.06	10	143.87
Waterfall (Standard), Lining - Bonded BLACKOUT (with Fleece 400g EB), No Pelmet Req, Right Hand Control, Continuous Metal Chain Chrome, N/A, None Required, No Handset Required, No Power Supply Required, Not Required, Roman Breakaway Chain Mechanism						24.80	
Measurement: Blind Size Spec. ins:				Chain Length: 800			
Location: Guest Bedroom 2 W2 Fitting ins:							
3. Customers Own Roman	Customer`s Own Fabric	1150	1350	1	135.06	10	143.87
Waterfall (Standard), Lining - Bonded BLACKOUT (with Fleece 400g EB), No Pelmet Req, Left Hand Control, Continuous Metal Chain Chrome, N/A, None Required, No Handset Required, No Power Supply Required, Not Required, Roman Breakaway Chain Mechanism						24.80	
Measurement: Blind Size Spec. ins:				Chain Length: 800			
Location: Main Bedroom W1 Fitting ins:							
4. Customers Own Roman	Customer`s Own Fabric	1150	1350	1	135.06	10	143.87
Waterfall (Standard), Lining - Bonded BLACKOUT (with Fleece 400g EB), No Pelmet Req, Right Hand Control, Continuous Metal Chain Chrome, N/A, None Required, No Handset Required, No Power Supply Required, Not Required, Roman Breakaway Chain Mechanism						24.80	
Measurement: Blind Size Spec. ins:				Chain Length: 800			
Location: Main Bedroom W2 Fitting ins:							
5. Roller	Hydrangea Sky R/F (E)	790	1100	1	99.52	51.92	47.85
32mm Roller Tube, Standard Brackets Req., Standard P.V.C. Bottom Rail - 5m - White, Left Hand Control, White, Silver No. 10 Metal Operating Chain, No Scallop, No Braid Required, N/A, No Pole, No Finial, No Eyelets Required, No Pull Required, No Hold Down Clips Required, Standard Roll, No Specials, No Specials, Easybreak No.10 Chain Connector - Grey For Metal Chain, Not Applicable							
Measurement: Blind Size Spec. ins:				Chain Length: 700			
Location: Kitchen W1 Fitting ins:							
6. Roller	Hydrangea Sky R/F (E)	1210	900	1	107.36	51.92	51.62

£160

£169

32mm Roller Tube, Standard Brackets Req., Standard P.V.C. Bottom Rail - 5m - White,
Left Hand Control, White, Silver No. 10 Metal Operating Chain, No Scallop, No Braid
Required, N/A, No Pole, No Finial, No Eyelets Required, No Pull Required, No Hold Down
Clips Required, Standard Roll, No Specials, No Specials, Easybreak No.10 Chain
Connector - Grey For Metal Chain, Not Applicable
Measurement: Blind Size Spec. ins:
Location: Kitchen W2 Fitting ins:

Chain Length: 500

Net Total: 674.95

VAT: 0.00

Total: 674.95



CP INTERIORS

Julie Journeaux

julescookie@live.co.uk.

- Traditional
- Farm House

They have suppliers names to choose fabrics.



CP INTERIORS

Mr & Mrs. Renouf

Lecq Farm
Rue De Lecq
St Ouen

JE3 2BU

Date	Reference	Your Contact
06-03-2024	SO15445	Tamara

Customer Ref.

Option 1 Romo Odelia Agate in Main Bedroom
--

Quote

Our Price Promise to you

We are so confident our pricing is competitive, that we will beat any written quotation for equivalent product by 5%

Supply & Fit

Location	Description	QTY	Price
Kitchen W1	Roller blind, in Hydrangea Sky fabric (Band B). Manually operated with a left hand side silver chain	1	£ 160.00
Kitchen W2	Roller blind, in Hydrangea Sky fabric (Band B). Manually operated with a left hand side silver chain	1	£ 169.00
Living Room W1	Curtain Making, Hand finished pair of curtains, with a triple pleat header and standard lining.	1	£ 569.00
Living Room W2	Curtain Pole / Track, SG7610 in white with ball finials, standard gliders and top fix. Hand operation.	1	£ 405.00
	Curtain Making, Hand finished pair of curtains, with a triple pleat header and standard lining.	1	£ 554.00
Living Room	Curtain Pole / Track, SG7610 in white with ball finials, standard gliders and top fix. Hand operation.	1	£ 378.00
	Fabric, 18m of Beaumont Henna Pomegranate @£25 per metre,	1	£ 450.00
Guest Bedroom 2 W1	Roman blind, with bonded blackout lining. Manually operated with a left hand side chain.	1	£ 360.00
Guest Bedroom 2 W2	Roman blind, with bonded blackout lining. Manually operated with a right hand side chain.	1	£ 360.00
Guest Bedroom 2	Fabric, 4m of Romo Odelia Blush 7980/02 @£76 per metre,	1	£ 304.00
Main Bedroom W1	Roman blind, with bonded blackout lining. Manually operated with a left hand side chain.	1	£ 360.00
Main Bedroom W2	Roman blind, with bonded blackout lining. Manually operated with a right hand side chain.	1	£ 360.00
Main Bedroom	Fabric, 4m of Romo Odelia Agate 7980/04 @£76 per metre,	1	£ 304.00
Guest bedroom 1	Curtain Making, Hand finished pair of curtains, with a triple pleat header and standard lining.	1	£ 572.00
	Fabric, 12.5m of Romo Odelia Blush 7980/02 @£76 per metre,	1	£ 950.00
	Curtain Pole / Track, SG7610 in white with ball finials, standard gliders and top fix. Hand operation.	1	£ 405.00

Terms : 50% deposit due with order, 50% on completion

BACS Payment	
Bank:	NatWest
Sort Code:	60 12 03
Account No:	66577772
Carpet Protection (C.I) Ltd T/A CP Interiors	

Phone and Card Payment
Payment can be made in person or by phone.
If phone, please call us on 01534 768141 and have your card details ready.
Note, we do not accept American Express or Cheque payments.

Subtotal :	£ 6,660.00
GST :	£ 333.00
Total :	£ 6,993.00

Please note: This quotation is only valid for acceptance for 14 days. Our estimate does not include any electrical work or additional carpentry work to install the above unless otherwise specified. Please note there is a handling charge on customer own fabric of £7.50 per metre. Due to high costs of labour, pre-arranged missed fitting appointments will be charged on a time-wasted basis. Settlement is due on completion of works and an administration charge of £25 will be added per month if unpaid within 30 days. We reserve the right to charge for design, advice and liaison work carried out should an order not be placed. Goods remain the property of CP Interiors until full settlement is received. Should payment not be received we reserve the right to attend premises during working hours to remove goods and not be required to make good. Our full terms and conditions apply and are available on request.