

weinor Ltd 73 Cornhill EC3V 3QQ London

C P Interiors

**Rue Des Pres Trading Estate
GB-JE2 7QN St Saviour Jersey**

delivery address

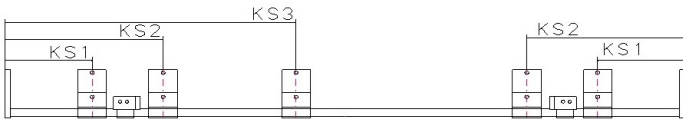
DSV Road Ltd
(NO UPS)
10 Brunel Way, Segensworth Industrial Estate
GB-PO15 5TX Hampshire, Fareham
NO UPS

ORDER CONFIRMATION (release 1)

sales order no.: 202851893 of 12.07.2024
customer: 165708
reference: Vernon 6.5m SO15451
Your order no.: SO15451
contact person: William Abbott
E-Mail: WAbbott@weinor.de
phone number: +49-221-59709-472
representat.: 654 Chris Spickett
tel (representat.): 0044 (0) 7894443907

pos	quantity	article code
-----	----------	--------------

1	1,00	1540 I 2000
---	------	-------------



Anticipated delivery	: 05.08.2024		
Product use	: private house		
width [cm]	: 650	cm	
Number of units	: one-piece		
Projection [cm]	: 200	cm	3.698,00
Basic colour	: WT029/10797 Approx. RAL 9010		
no. of arms	: 2	Piece	
insulation [mm]	: 0	mm	
bracket type 1	: wall bracket 85 mm compl.		
number of brackets 1	: 3	Piece	72,00

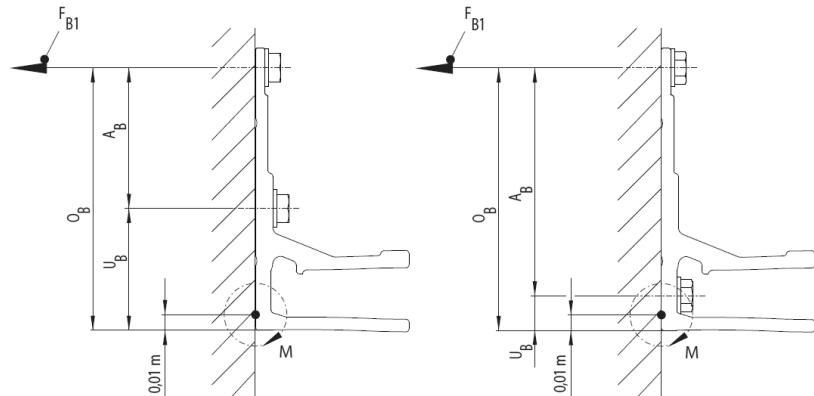
weinor Ltd
73 Cornhill
GB-EC3V 3QQ London
weinor.com

Managing Director:
Tim Fuldner
General partner:
Weinor Beteiligungs-GmbH
Köln

VAT no.: 335 2381 16
Company no.: 12193066
UTR no.: 33431 24084
EORI no.: GB335238116000

Domestic transfers:
Commerzbank London
Sort Code: 406201
Account Number: 307 537 10

International transfers:
Commerzbank London
IBAN: GB51 COBA 4062 0130 7537 10
Swift: MIDLGB22 a/c COBAGB2X



Force 1 means the pull-out force per upper fastener F(B).

FB1 Force 1 per fixing point	: 2551	N
M = Torque per folding arm	: 403	Nm

Please note that your selected awning configuration results in the following forces per upper fixing point (pull-out, lateral and/or shear forces). These must be accounted for by using suitable fixings.

Bracket position KS 1 left [mm]	: 460	mm
bracket position KS 1 right [mm]	: 460	mm
bracket position KS 3 [mm]	: 3105	mm
arm position A1 left	: 550	mm
arm position A1 right	: 550	mm

type of control	: engine
-----------------	----------

Side of control (seen from the front)	: right
---------------------------------------	---------

With remote control BiConnect	: Yes! Please remind the separate order!
-------------------------------	--

Information on BiConnect	: The BiConnect has been done in 202851893 position 2!
--------------------------	--

electrical engine connection	: 106033-0000 Kabel 4G0.75 L1000 STAS3/Hipro
------------------------------	--

Hirschmann plug?	: Hirschmann plug not assembled	14,00
------------------	---------------------------------	-------

Type of engine	: Motor Sfy Orea WT 60 55/17 78We -
----------------	-------------------------------------

real-design	: WE3-719	my collections
-------------	-----------	----------------

Glue fabric?	: no, sewn fabric
--------------	-------------------

colour of thread Saba	: RAL 7001 Silver grey
-----------------------	------------------------

weinor Ltd 73 Cornhill EC3V 3QQ London

customer: 165708 sales order 202851893

Page 3 of 4

pos	quantity	article code
-----	----------	--------------

Cardboard container	:	edges reinforcement	
weight	:	102	kg

value of goods	discount amount / %	net
3.784,00	1.513,60 / 40,00	2.270,40

2	1,00	2557	BiConnect
---	------	------	-----------

Anticipated delivery	:	05.08.2024	
deliver BiConnect separate?	:	No; supply receiver and handheld remote control with awning	
shipment info	:	The pre set receivers (except LED) and the handset will be packed with contract number 202851893 pos 1!	
Receiver for motor/	:	1	BiRec MA, basic 119,00
control	:	BiConnect BiEasy 1M (black version)	107,00
learned on channel 1	:	weinor BiConnect BiRec MA for order 202851893/1: I with black cable 2000 engine right	
No. of BiSens Agido-3V	:	1	Piece 167,00

value of goods	discount amount / %	net
393,00	157,20 / 40,00	235,80

value of goods	discount amount	net	VAT (0 %)	Total GBP
4.177,00	1.670,80	2.506,20	0,00	2.506,20

weinor Ltd
73 Cornhill
GB-EC3V 3QQ London
weinor.com

Managing Director:
Tim Fuldner
General partner:
Weinor Beteiligungs-GmbH
Köln

VAT no.: 335 2381 16
Company no.: 12193066
UTR no.: 33431 24084
EORI no.: GB335238116000

Domestic transfers:
Commerzbank London
Sort Code: 406201
Account Number: 307 537 10

International transfers:
Commerzbank London
IBAN: GB51 COBA 4062 0130 7537 10
Swift: MIDLGB22 a/c COBAGB2X

Our spoken and written advice focuses on an explanation of the best possible use of our products and services. It does not liberate you from the obligation to check fitness of our products and services for your particular purpose. That includes the inspection of the general condition and especially maximum capacity load of fixing base as well as forwarding all respective information in addition to your order to weinor. That way delivery of the correct type and number of brackets is guaranteed. If our product can not be used as upon agreement due to false or lacking information we or any auxiliary person do accept contractual or non-contractual liabilities only in case of malicious intent or gross negligence.

Attention! In case of missing specification regarding brackets we deliver the awning including the correspondent brackets for wall fixing on concrete C20/25 with a header cowling up to 200 mm (non pressure resistant base). Please note that those brackets are not suitable for wall fixing other than concrete C20/25.

In this case we extend the delivery period in order for you to check your specific application and if necessary hand in the required information.

In order to mount all brackets corresponding their fixing base you will need suitable mounting systems. For mounting on concrete C20/25 we recommend heavy duty anchor-systems from fischer (e.g. FAZ II M12/10 GS or FAZ II M12/30 GS). In case of mounting on any other base referred to in our pricelist or on frontal concrete ceiling we recommend the use of injection systems from fischer (e.g. FIS V 360 S). You can order them directly from us.

If you use a different mounting system or your own brackets, you will need a table of pull-out resistance of screw anchors in order to determine the working load.

In addition, our General Terms of Delivery and Payment as per 12/2021, published under the link provided below are valid and we are happy to provide you with them free of charge upon request.

<https://www.weinor.com/terms-and-conditions/>

delivery exw Cologne
payment: With direct debit 5% discount payment
mode of dispatch UK export