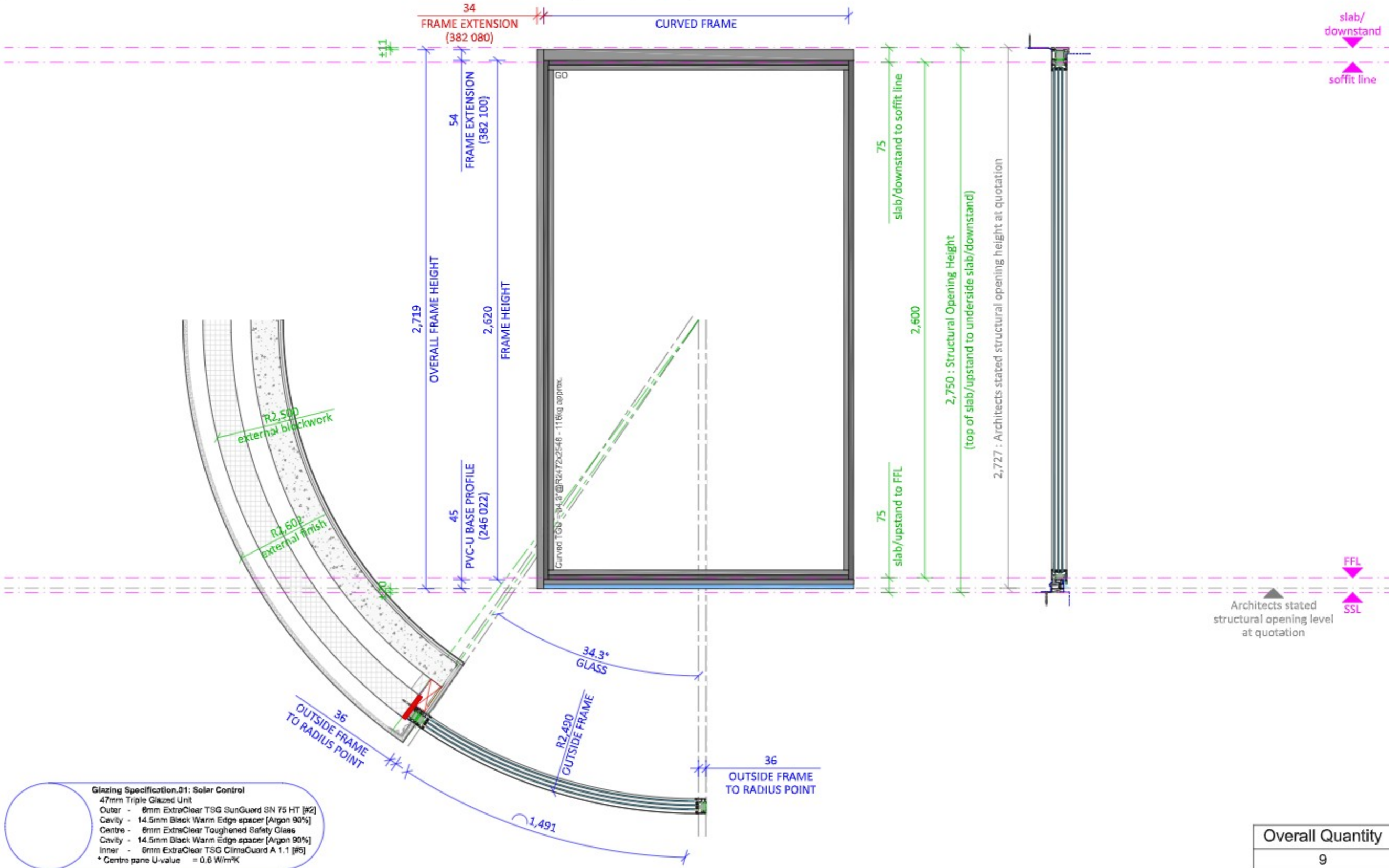


Window Type	Reference	Level	Apartment	Location	Details				Handing	
					Head	Sill	LH Jamb	RH Jamb		
09	W04	LG	11	Bedroom 1	D24	D24	D01	D02	AS DRAWN	
10	W10	Grd (00)	09	Bedroom 1	D24	D27	D01	D02	AS DRAWN	
10	W20	1st (01)	06	Bedroom 1	D24	D27	D01	D02	AS DRAWN	
11	W11	Grd (00)	07	Kitchen/Living Room	D24	D27	D02	D01		MIRRORED
11	W21	1st (01)	04	Kitchen/Living Room	D24	D27	D02	D01		MIRRORED
12	W35	2nd (02)	03	Bedroom 1	D24	D27	D01	D02	AS DRAWN	
13	W36	2nd (02)	02	Bedroom 1	D24	D27	D02	D01		MIRRORED
14	W47	3rd (03)	01	Bedroom 1	D27	D27	D01	D02	AS DRAWN	
15	W48	3rd (03)	01	Bedroom 2	D27	D27	D02	D01		MIRRORED
Quantity									5	4

- NOTE 1** For noted single item only:
SO height reduced to 2700mm due to 2nd floor green roof soffit between Grid lines (1)+(3).
Consequently, Outer frame extension profile 54 (382 100) at head not required!
- NOTE 2** AXM/HVC to add 20mm Marmox Multiboard to blockwork edge to mitigate cold bridge as per AXM comments 28/05/21.
Consequently, frame extension at LH Jamb (as drawn) revised to Outer frame extension profile 34 (382 080)!
- NOTE 3** Curved Glazing Specification to be confirmed by Style!



- SPECIFICATION DETAILS**
- System: Schüco
* AWS 75.SI Window system
- General Information:**
- * Ino. Curved fixed light
 - * Externally glazed (GlazrCut)
 - * Concealed drainage
 - * Schüco PVC-U Base Profile at sill
 - ** Reinforced with Schüco Steel tube
 - ** 34x30x2mm (201 033)
 - ** Finished with Attachment profile 25 (346 970)
 - * Additional profile
 - ** Outer frame extension profile 54 (382 100)
 - ** Ino. length required at Head
 - ** Outer frame extension profile 34 (382 080)
 - ** Ino. length req'd at LH Jamb (as drawn)
- Components:**
- 480 830 - Outer frame, outside, 59/24
 - 391 880 - Glazing Bead 12mm
 - 244 068 - Gasket cord Ø 2.5mm, EPDM
 - 284 321 - Glazing rebata gasket (Black) [ext.]
 - 284 835 - Glazing gasket 5-6 (Black) [int.]
 - 246 022 - PVC-U base profile
 - 244 512 - EPDM gasket cord, Ø 4.5mm
 - 201 033 - Steel tube 34x30x2
 - 346 970 - Well attachment profile 25
 - 286 261 - Plastic profile retaining clip
 - 244 511 - Gasket cord
 - 257 589 - Seal (located at ends)
 - 382 100 - Outer frame extension profile 54
 - 382 080 - Outer frame extension profile 34
- Finish:** Special Dual Colour
- * External Anodised = UA Anolok Bronze 547
 - * Internal PPC = RAL 9016 (Traffic White)
 - ** 60 Microns
- Background Ventilation:**
- * N/A
- Installation:**
- * Internally fixed with fixing lugs at head
 - * Direct fixed to adjacent framework and jamb to structure
 - * Internally fixed with brackets fixing lugs at sill
 - ** Aluminium Equal Angle 50x50x3mm
 - * Ex/Int continuous EPDM skirt to perimeter
 - * Ex/Int mastic with expanding foam (where required)

REV.	DATE	DESCRIPTION
C1	15/06/21	Revised in accordance with AXM comments (28/05/21) + Raised to 'Construction' status
P2	01/04/21	Revised in accordance with Design meeting (25/03/21) + Design meeting (18/03/21) + AXM comments (18/03/21)

DRAWING STATUS
CONSTRUCTION

Style Windows
Style House
La Grande Route de St Pierre, St Peter, JE3 7AY
t: 01534 744281 f: 01534 747276
www.stylewindows.je

JOB DESCRIPTION
One St Brelade
St. Brelade
Jersey

DRAWING TITLE
South Elevation Screen Elements:
Schüco AWS 75.SI+ (01)
External Elevation + Sections

DRAWN BY	KT
DRAWN DATE	16/02/2021
SCALE	1:20 @ A3
DRAWING NUMBER	REVISION
4001-E01	C1

Overall Quantity
9

Window Type	Reference	Level	Apartment	Location	Details				Handing	
					Head	Sill	LH Jamb	RH Jamb	AS DRAWN	
09	W04	LG	11	Bedroom 1	D24	D24	D02	D02	AS DRAWN	
Quantity									1	

NOTE 1 Frame and glass dimensions identical to window on drawing E09

Style Windows © Copyright 2019. Do not reuse. Use under license only. All dimensions in millimetres unless otherwise stated.

SPECIFICATION DETAILS

- System:** Schüco
 * AWS 75.SI Window system
- General Information:**
 * 1no. Fixed light
 * Externally glazed (GlazoOut)
 * Concealed drainage
 * Schüco PVC-U Base Profile at sill
 ** Reinforced with Schüco Steel tube 34x30x2mm (201 033)
 ** Finished with Attachment profile 25 (346 970)
 * Additional profile
 ** Outer frame extension profile 54 (382 100)
 *** 1no. length required at Head
 ** Coupling mullion 15 (368 680)
 ** Retaining profile (224 129)
 ** Cover profile (105 620)
 ** Seal tube 30x50x4 (201 056)
 *** 2no. lengths required to LH+RH Jamb

- Components:**
 480 830 - Outer frame, outside, 53/24
 391 880 - Glazing Bead 12mm
 244 056 - Gasket cord Ø 2.5mm, EPDM
 264 321 - Glazing robot gasket (Black) [ext.]
 264 835 - Glazing gasket 5-6 (Black) [int.]

- 246 022 - PVC-U base profile
 244 612 - EPDM gasket cord, Ø 4.5mm
 201 033 - Steel tube 34x30x2
 346 970 - Well attachment profile 25
 286 261 - Plastic profile retaining clip
 244 511 - Gasket cord
 267 569 - Seal (located at ends)

- 382 100 - Outer frame extension profile 54
 368 680 - Coupling mullion 15
 224 129 - Retaining profile
 105 620 - Cover profile
 201 056 - Steel tube 30x50x4

- Finish:** Special Dual Colour
 * External Anodised = UA Anodok Bronze 547
 * Internal PPC = RAL 9016 (Traffic White)
 ** 80 Microns

- Background Ventilation:**
 * N/A

- Installation:**
 * Internally fixed with fixing lugs at head
 * Direct fixed to adjacent framework
 * Internally fixed with bespoke fixing lugs at sill
 ** Aluminium Equal Angle 60x60x3mm
 * Ext/Int continuous EPDM skirt to perimeter
 * Ext/Int mastic with expanding foam (where required)

REV.	DATE	DESCRIPTION
C1	15/06/21	Raised to 'Construction' status as AXM Status A (28/05/21)
P2	02/04/21	Revised in accordance with AXM coupling Opt.2 (01/04/21) + Design meeting (29/03/21) + Design meeting (18/03/21) + AXM comments (18/03/21)

DRAWING STATUS
CONSTRUCTION

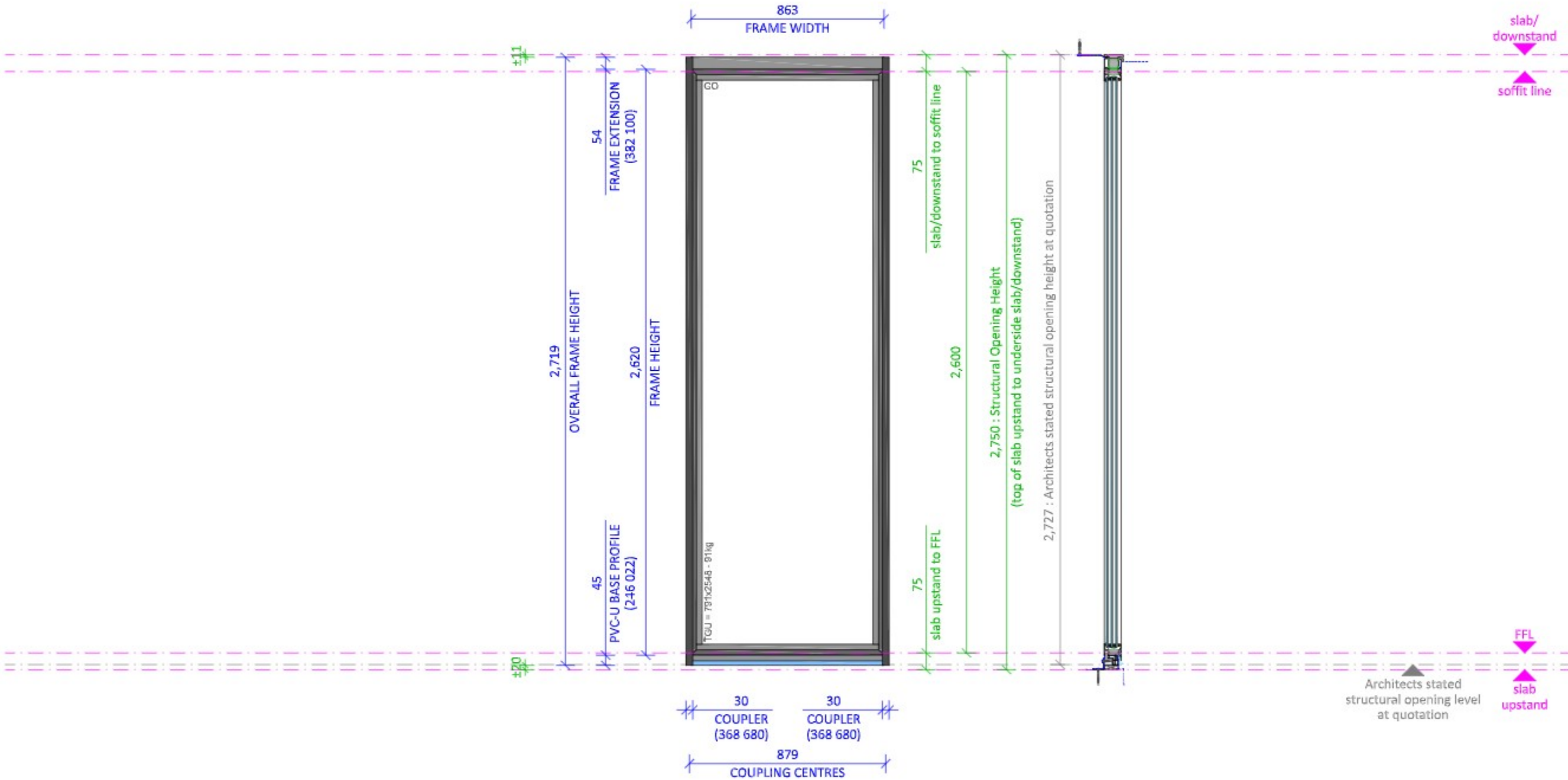


Style House
 La Grande Route de St Pierre, St Peter, JE3 7AY
 t: 01534 744281 f: 01534 747276
 www.stylewindows.je

JOB DESCRIPTION
 One St Brelade
 St. Brelade
 Jersey

DRAWING TITLE
 South Elevation Screen Elements:
 Schüco AWS 75.SI+ (02)
 External Elevation + Sections

DRAWN BY	KT
DRAWN DATE	18/02/2021
SCALE	1:20 @ A3
DRAWING NUMBER	4001-E02
REVISION	C1



Glazing Specification.01: Solar Control
 47mm Triple Glazed Unit
 Outer - 6mm ExtraClear TSG SunGuard SN 75 HT [#2]
 Cavity - 14.5mm Black Warm Edge spacer [Argon 90%]
 Centre - 6mm ExtraClear Toughened Safety Glass
 Cavity - 14.5mm Black Warm Edge spacer [Argon 90%]
 Inner - 6mm ExtraClear TSG ClimateGuard A 1.1 [#5]
 * Centre pane U-value = 0.6 W/m²K

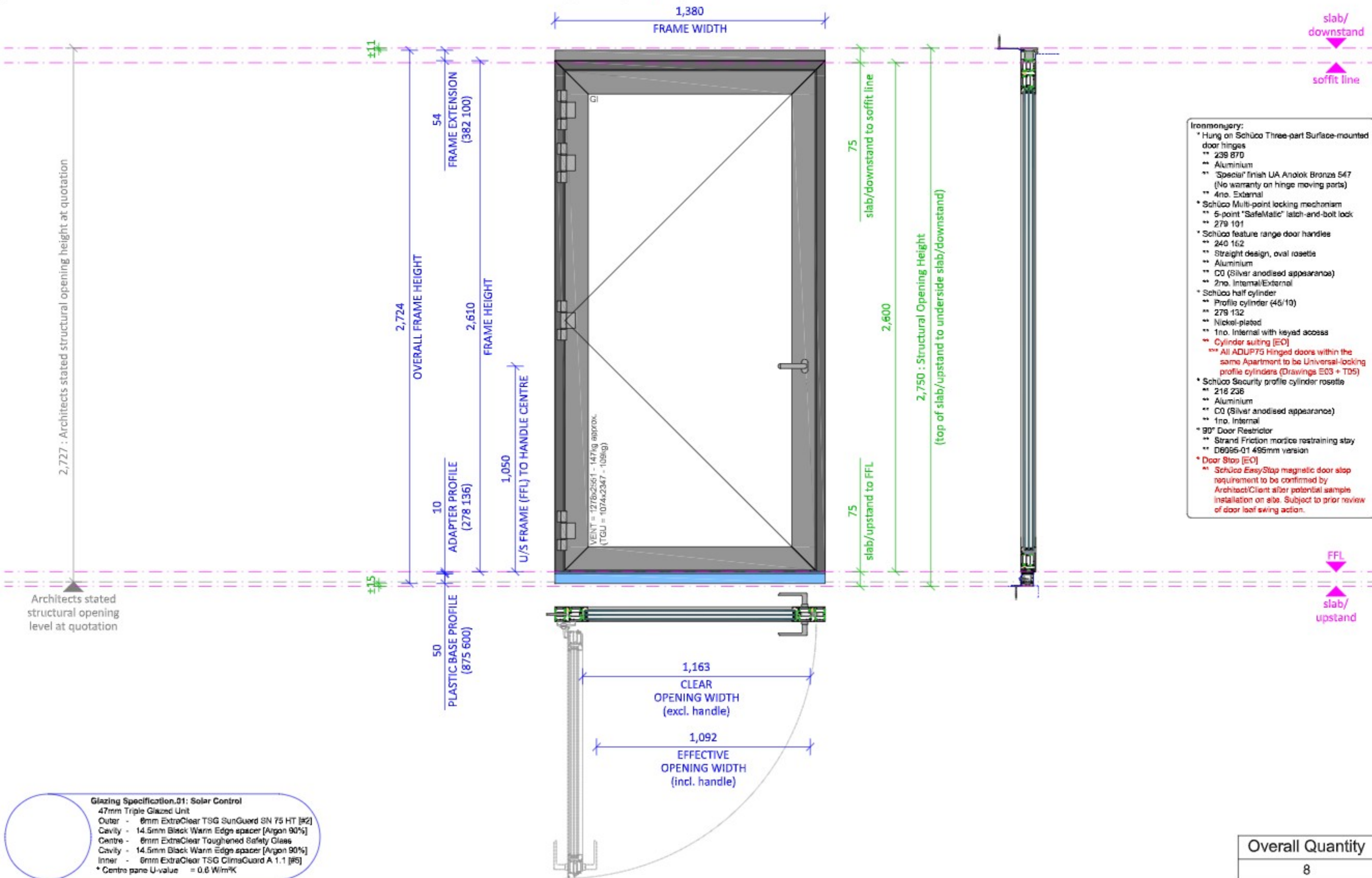


Overall Quantity
 1

Window Type	Reference	Level	Apartment	Location	Details				Handing	
					Head	Sill	LH Jamb	RH Jamb		
09	W04	LG	11	Bedroom 1	D25	D25	D02	D03	AS DRAWN	
09	W04	LG	10	Bedroom 1	D25	D25	D10	D11		MIRRORED
10	W10	Grd (00)	09	Bedroom 1	D25	D28	D02	D12	AS DRAWN	
10	W20	1st (01)	06	Bedroom 1	D25	D28	D02	D12	AS DRAWN	
12	W35	2nd (02)	03	Bedroom 1	D25	D28	D02	D12	AS DRAWN	
13	W36	2nd (02)	02	Bedroom 1	D25	D28	D02	D12		MIRRORED
14	W47	3rd (03)	01	Bedroom 1	D28	D28	D02	D12	AS DRAWN	
15	W48	3rd (03)	01	Bedroom 2	D28	D28	D02	D12		MIRRORED
Quantity									5	3

NOTE 1 Schüco EasyStop magnetic door stop requirement to be confirmed by Architect/Client after potential sample installation on site. Subject to prior review of door leaf swing action.

SPECIFICATION DETAILS		
System: Schüco		
* AD UP 75 Hinged Door system		
General Information:		
* Outward opening door		
* Internally glazed (Glazing)		
* Concealed drainage		
* 20mm Door threshold (607 608)		
** CO finish (Silver anodised appearance)		
** Adaptor profile (278 136)		
** Plastic base profile (875 600)		
*** Reinforced with Steel profile (202 446)		
* Additional profile		
** Outer frame extension profile 54 (382 100)		
*** Ino. length required at Head		
Components:		
507 130	- Outer frame, rebata design, 44/76	
607 270	- Door leaf 56/119, outward-opening	
608 310	- Glazing Bead 30/12	
294 321	- Glazing rebata gasket (Black) [ext.]	
284 835	- Glazing gasket 5-6 (Black) [int.]	
507 608	- Door threshold	
278 136	- Adaptor profile	
875 600	- Plastic base profile	
202 446	- Steel profile	
382 100	- Outer frame extension profile 54	
Finish: Special Dual Colour		
* External Anodised = UA Anotok Bronze 547		
* Internal PPC = RAL 9016 (Traffic White)		
** 80 Microns		
Background-I Ventilation:		
* N/A		
Installation:		
* Internally fixed with fixing lugs at head/jamba to structure		
* Direct fixed to adjacent framework with Torx Button Screw (M6x60) and Torx Button Barrel Nut (M6x30) or similar		
* Direct fixed to jamba to structure with Torx Button Screw (M6x90) and Nut (M6) or similar into intermittent brackets of Aluminium Equal Angle (63.5x63.5x5) secured to structure		
* Internally fixed with bespoke fixing lugs at sill		
** Aluminium Equal Angle 50x50x3mm		
* Ext/Int continuous EPDM skirt to perimeter		
* Ext/Int mastic with expanding foam (where required)		
Fabrication:		
* Intermittent brackets of Aluminium Equal Angle (63.5x63.5x6)		
* Bespoke fixing lugs at sill Aluminium Equal Angle 50x50x3mm		



Ironmongery:

- * Hung on Schüco Three-part Surface-mounted door hinges
 - ** 239 870
 - ** Aluminium
 - ** 'Special' finish UA Anotok Bronze 547 (No warranty on hinge moving parts)
 - ** 4no. External
- * Schüco Multi-point locking mechanism
 - ** 5-point 'SafeMatic' latch-and-bolt lock
 - ** 279 101
- * Schüco feature range door handles
 - ** 240 162
 - ** Straight design, oval rosette
 - ** Aluminium
 - ** CO (Silver anodised appearance)
 - ** 2no. Internal/External
- * Schüco half cylinder
 - ** Profile cylinder (46/10)
 - ** 279 132
 - ** Nickel-plated
 - ** 1no. Internal with keyed access
 - ** Cylinder suiting [EO]
- *** All ADUP75 Hinged doors within the same Apartment to be Universal-locking profile cylinders (Drawings E03 + T05)
- * Schüco Security profile cylinder rosette
 - ** 216 236
 - ** Aluminium
 - ** CO (Silver anodised appearance)
 - ** 1no. Internal
- * 90° Door Restrictor
 - ** Strand Friction mortise restraining stay
 - ** D6065-01 495mm version
- * Door Stop [EO]
 - ** Schüco EasyStop magnetic door stop requirement to be confirmed by Architect/Client after potential sample installation on site. Subject to prior review of door leaf swing action.

Glazing Specification.01: Solar Control
 47mm Triple Glazed Unit
 Outer - 6mm ExtraClear TSG SunGuard SN 75 HT [#2]
 Cavity - 14.5mm Black Warm Edge spacer [Argon 90%]
 Centre - 6mm ExtraClear Toughened Safety Glass
 Cavity - 14.5mm Black Warm Edge spacer [Argon 90%]
 Inner - 6mm ExtraClear TSG ClimaGuard A 1.1 [#5]
 * Centre pane U-value = 0.8 W/m²K

REV.	DATE	DESCRIPTION
C1	23/06/21	Raised to 'Construction' status as AXM Status A (28/05/21) Ironmongery confirmed (22/06)
P2	02/04/21	Revised in accordance with Design meeting (26/03/21) + Design meeting (18/03/21) + AXM comments (18/03/21)

DRAWING STATUS
 CONSTRUCTION

Style Windows
 Style House
 La Grande Route de St Pierre, St Peter, JE3 7AY
 t: 01534 744281 f: 01534 747276
 www.stylewindows.je

JOB DESCRIPTION
 One St Brelade
 St. Brelade
 Jersey

DRAWING TITLE
 South Elevation Screen Elements:
 Schüco AD UP 75 (01)
 External Elevation + Sections

DRAWN BY	KT
DRAWN DATE	18/02/2021
SCALE	1:20 @ A3
DRAWING NUMBER	REVISION
4001-E03	C1

Overall Quantity
 8

Window Type	Reference	Level	Apartment	Location	Details				Handing	
					Head	Sill	LH Jamb	RH Jamb		
09	W04	LG	11	Kitchen/Living Room	D26	D26	D03	D05	AS DRAWN	
09	W04	LG	10	Bedroom 2	D26	D26	D07	D09		MIRRORED
Quantity									1	1

NOTE 1	Item Reference W11 and W21 moved to new Element drawing E12
NOTE 2	Item Reference W10 and W20 moved to new Element drawing E13
NOTE 3	Item Reference W04 revised to new width of 3355mm

Style Windows © Copyright 2019. Do not reuse. Use subject to permission. All dimensions in millimetres unless otherwise stated.

SPECIFICATION DETAILS

System: Schüco
 * ASE 80.HI Sliding Door system

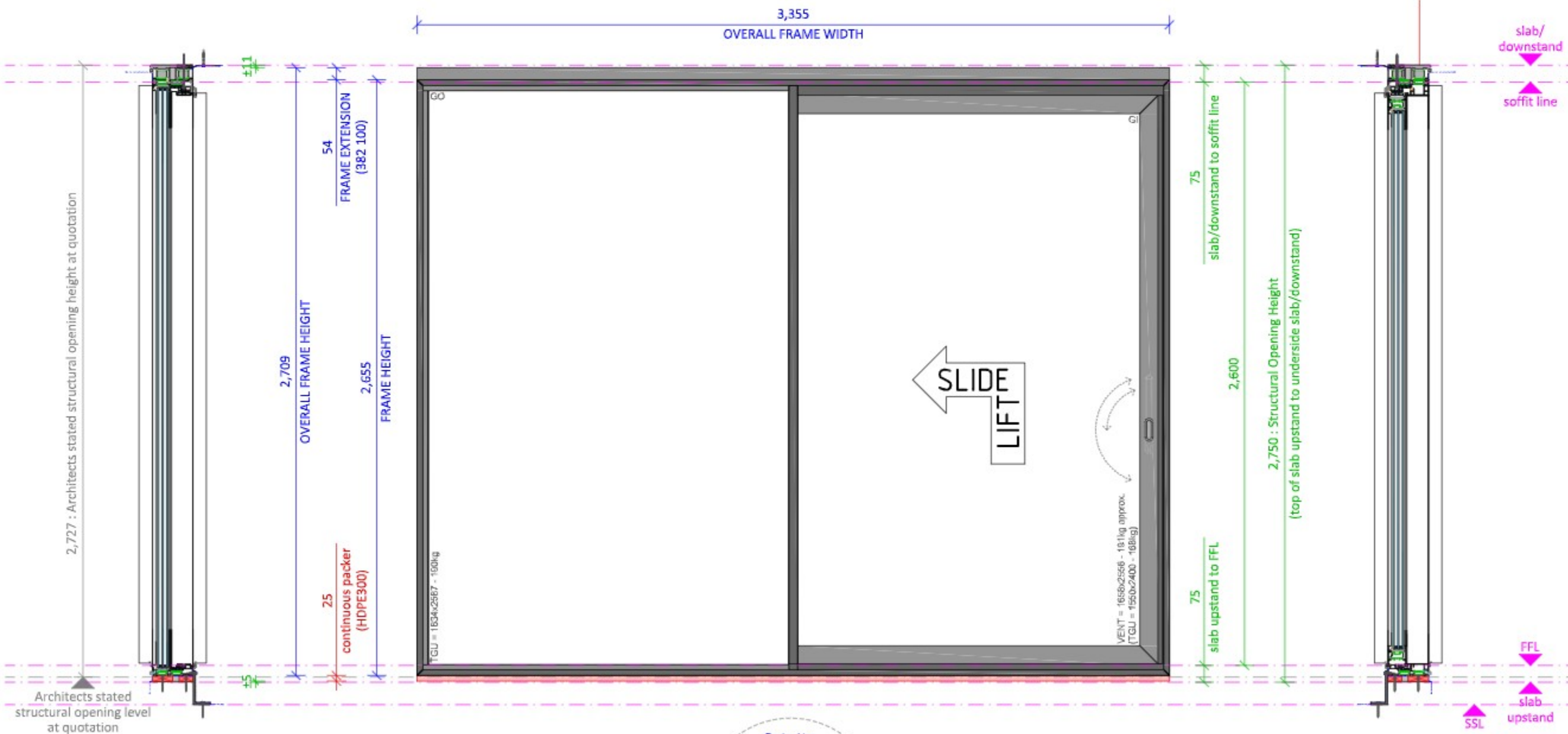
General Information:
 * Single track with lift-and-slide door vent running internally and fixed light glazed directly into outer frame
 * Type 1A1
 * Internally glazed vent
 * Externally glazed fixed light
 * Design Line narrow interlocking section
 ** Reinforced with 2no. Schüco steel profile (201 058)
 ** Ix = 306.06cm⁴
 * Vent details
 ** Fixed Insulating Bars
 ** Max. weight 350kg
 * Additional profile
 ** AWS 75.SI¹ Outer frame extension profile 54 (382 100)
 ** 2no. lengths required at Head
 * Continuous level packers
 ** High Density Polyethylene HDPE300
 ** 2no. required at Threshold
 *** 1no. 60x25mm + 1no. 90x25mm

Hardware:
 * Multipoint locking
 * 1no. Internal Crank handle (Height: 230mm) with profile cylinder recess
 ** Art. No. 269 417
 ** C0 (Silver anodised appearance)
 * 1no. External Handle recess
 ** Art. No. 269 400
 ** C0 (Silver anodised appearance)
 * Half Profile Cylinder with internal key access
 ** Profile Cylinder (55/10)
 ** Art. No. 279 214
 ** Nickel-plated
 ** Cylinder setting [EO]
 *** All ASE80.HI Sliding doors within the same Apartment to be Universal-locking profile cylinders.

Finish: Special Dual Colour
 * External Anodised = UA Anodok Bronze 547
 * Internal PPC = RAL 9016 (Traffic White)
 ** 80 Microns

Installation:
 * Direct + Lug fixed (where possible)
 * Ex/Int continuous EPDM skirt to perimeter
 * Ex/Int mastic + expanding foam (where req'd)

Please Note:
 The structural opening for sliding doors must be designed and constructed to provide a head and sill 'deflection' of no more than 2-3mm. Any greater deflection may render the doors inoperable or cause damage.



Glazing Specification.01: Solar Control
 47mm Triple Glazed Unit
 Outer - 6mm ExtraClear TSG SunGuard SN 75 HT [#2]
 Cavity - 14.5mm Black Warm Edge spacer [Argon 90%]
 Centre - 6mm ExtraClear Toughened Safety Glass
 Cavity - 14.5mm Black Warm Edge spacer [Argon 90%]
 Inner - 6mm ExtraClear TSG ClimaGuard A 1.1 [#5]
 * Centre pane U-value = 0.6 W/m²K

Design Line
 Narrow interlocking section
 Achievable Inertia = 306.06cm⁴
 Wind load @ 2.55kN/m²
 Required Inertia = 250.94cm⁴

Overall Quantity
 2

REV.	DATE	DESCRIPTION
C1	23/06/21	Raised to 'Construction' status as AXM Status A (28/05/21) Ironmongery confirmed (22/06)
P2	06/04/21	Revised in accordance with Design meeting (26/03/21) + Design meeting (18/03/21) + AXM comments (18/03/21)

DRAWING STATUS
 CONSTRUCTION

Style Windows
 Style House
 La Grande Route de St Pierre, St Peter, JE3 7AY
 t: 01534 744281 f: 01534 747276
 www.stylewindows.je

JOB DESCRIPTION
 One St Brelade
 St. Brelade
 Jersey

DRAWING TITLE
 South Elevation Screen Elements:
 Schüco ASE 80.HI (01)
 External Elevation + Sections

DRAWN BY	KT
DRAWN DATE	16/02/2021
SCALE	1:20 @ A3
DRAWING NUMBER	REVISION
4001-E04	C1

Window Type	Reference	Level	Apartment	Location	Details				Handing	
					Head	Sill	LH Jamb	RH Jamb		
09	W04	LG	11	Kitchen/Living Room	D24	D24	D05	D06	AS DRAWN	
09	W04	LG	10	Bedroom 1	D24	D24	D09	D10	AS DRAWN	
10	W10	Grd (00)	09	Kitchen/Living Room	D24	D27	D13	D06	AS DRAWN	
11	W11	Grd (00)	07	Kitchen/Living Room	D24	D27	D17	D06	AS DRAWN	
11	W11	Grd (00)	07	Kitchen/Living Room	D24	D27	D06	D05		MIRRORED
10	W20	1st (01)	06	Kitchen/Living Room	D24	D27	D13	D06	AS DRAWN	
11	W21	1st (01)	04	Kitchen/Living Room	D24	D27	D17	D06	AS DRAWN	
11	W21	1st (01)	04	Kitchen/Living Room	D24	D27	D06	D13		MIRRORED
									Quantity	6
										2

See NOTE 1

NOTE 1	For noted single item only: Corner mullion and LH Frame Extension must be replaced with Schüco unrolled part profiles (346380)+(345130) and (345110) respectively!
NOTE 2	As previously discussed, corner configuration redesigned to continuous glazing to meet Sliding doors, as AXM original proposal not possible to achieve with such narrow toughened TGU's at required height ratio!
NOTE 3	Solid black fret to stopped area of TGU's to be confirmed by Style!

Style Windows © Copyright 2019. Do not scale. Use digital dimensions only. All dimensions in millimetres unless otherwise stated.

SPECIFICATION DETAILS

System: Schüco
 * AWS 75.81 Window system

General Information:
 * 1no. Glass-to-glass corner fixed light/return
 * Externally glazed (GlazCut)
 * Concealed drainage
 * Schüco PVC-U Base Profile at sill
 ** Reinforced with Schüco Steel tube
 ** 34x30x2mm (201 033)
 ** Finish with Attachment profile 25 (346 970)
 * Additional profile
 ** Outer frame extension profile 54 (382 100)
 *** 1no. length required at Head
 ** Coupling mullion 15/A75 (382 420)
 *** 1no. length required at RH Jamb
 ** Corner mullion 90°/80 (382 580)
 *** 1no. length required at LH Jamb
 ** Outer frame extension profile 34 (382 080)
 *** 1no. length required at LH Jamb

Components:
 480 830 - Outer frame, outside, 53/24
 391 880 - Glazing Bead 12mm
 244 058 - Gasket cord Ø 2.5mm, EPDM
 284 321 - Glazing rebata gasket (Black) [ext.]
 284 835 - Glazing gasket 5-6 (Black) [int.]

246 022 - PVC-U base profile
 244 512 - EPDM gasket cord, Ø 4.5mm
 201 033 - Steel tube 34x30x2
 346 970 - Wall attachment profile 25
 286 251 - Plastic profile retaining clip
 244 511 - Gasket cord
 287 589 - Beel (located at ends)

382 100 - Outer frame extension profile 54
 382 420 - Coupling mullion 15/A75
 382 580 - Corner mullion 90°/80
 382 080 - Outer frame extension profile 34

Finish: Special Duell Colour
 * External Anodised = UA Andlok Bronze 547
 * Internal PPC = RAL 9016 (Traffic White)
 ** 80 Microns

Background Ventilation:
 * N/A

Installation:
 * Internally fixed with fixing lugs at head
 * Direct fixed to adjacent framework
 * Internally fixed with bespoke fixing lugs at sill
 ** Aluminium Equal Angle 50x50x3mm
 * Ext/Int continuous EPDM skirt to perimeter
 * Ext/Int mastic with expanding foam (where required)

C1	15/08/21	Raised to 'Construction' status as AXM Status A (28/05/21) 'Overall Quantity' corrected + 2no. items mirrored
P2	01/04/21	Revised in accordance with Design meeting (25/03/21) + Design meeting (18/03/21) + AXM comments (18/03/21)
REV.	DATE	DESCRIPTION

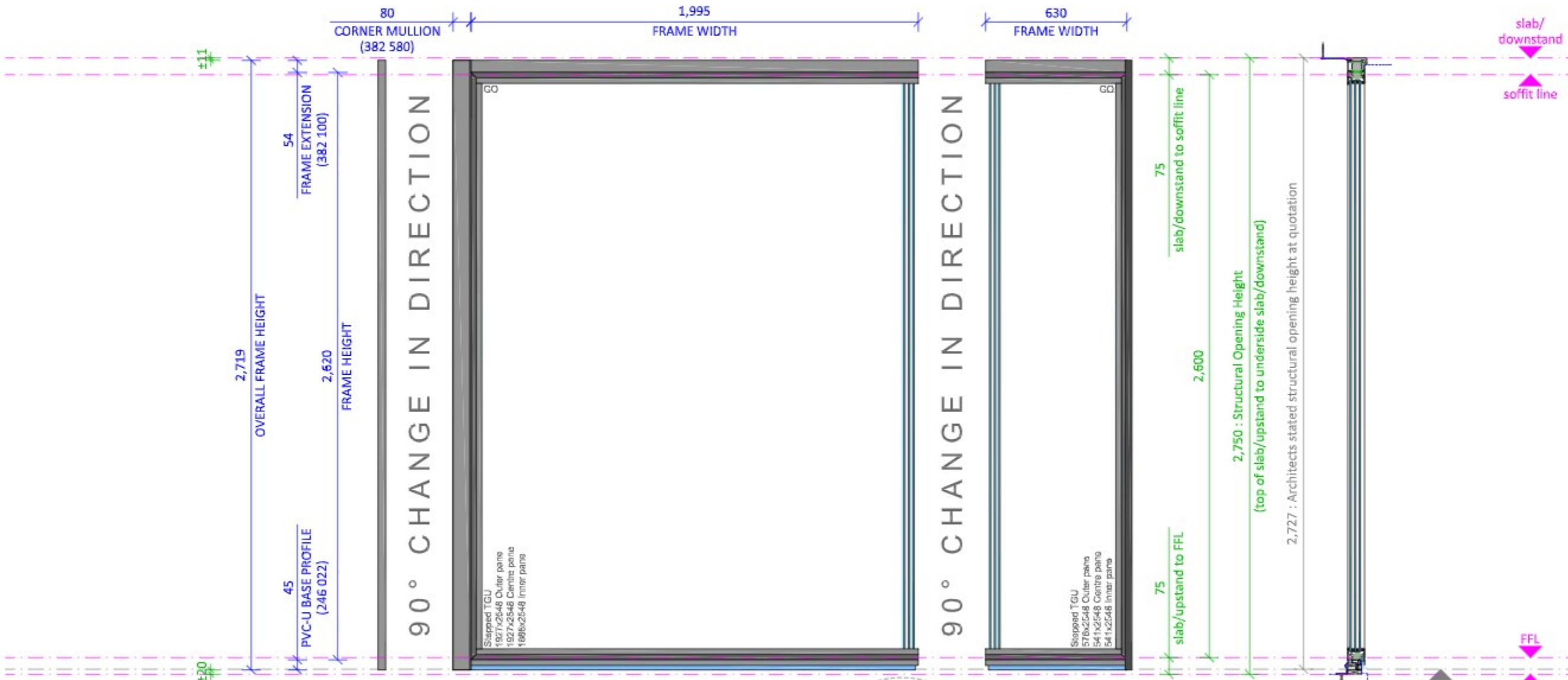
DRAWING STATUS
 CONSTRUCTION

Style Windows
 Style House
 La Grande Route de St Pierre, St Peter, JES 7AY
 t: 01534 744281 f: 01534 747276
 www.stylewindows.je

JOB DESCRIPTION
 One St Brelade
 St. Brelade
 Jersey

DRAWING TITLE
 South Elevation Screen Elements:
 Schüco AWS 75.SI+ (03)
 External Elevation + Sections

DRAWN BY	KT
DRAWN DATE	17/02/2021
SCALE	1:20 @ A3
DRAWING NUMBER	REVISION
4001-E05	C1



Glazing Specification.01: Solar Control
 47mm Triple Glazed Unit
 Outer - 6mm ExtraClear TSG SunGuard SN 75 HT [#2]
 Cavity - 14.5mm Black Warm Edge spacer [Argon 90%]
 Centre - 6mm ExtraClear Toughened Safety Glass
 Cavity - 14.5mm Black Warm Edge spacer [Argon 90%]
 Inner - 6mm ExtraClear TSG ClimaGuard A 1.1 [#5]
 * Centre pane U-value = 0.6 W/m²K

480830 + 382580 + 382080
 Achievable Inertia = 94.12cm⁴

382420 + 480830 + 480370
 Achievable Inertia = 368.16cm⁴

Wind load nullified as profile inertia transferred to structural steel

Wind load @ 2.55kN/m²
 Required Inertia = 203.63cm⁴

Overall Quantity
 8

Window Type	Reference	Level	Apartment	Location	Details				Handing	
					Head	Sill	LH Jamb	RH Jamb		
09	W04	LG	11	Kitchen/Living Room	D26	D26	D06	D07	AS DRAWN	
09	W04	LG	11	Bedroom 2	D26	D26	D07	D30		MIRRORED
09	W04	LG	10	Kitchen/Living Room	D26	D26	D30	D06	AS DRAWN	
10	W10	Grd (00)	08	Bedroom 1	D26	D29	D31	D14		MIRRORED
10	W20	1st (01)	05	Bedroom 1	D26	D29	D31	D14		MIRRORED
12	W35	2nd (02)	03	Kitchen/Living Room	D26	D29	D21	D19		MIRRORED
13	W36	2nd (02)	02	Bedroom 2	D26	D29	D20	D16	AS DRAWN	
15	W48	3rd (03)	01	Living Room	D29	D29	D33	D32	AS DRAWN	
Quantity									4	4

NOTE 1	10no. Item References moved to new Element drawing E10
NOTE 2	4no. Item References moved to new Element drawing E11
NOTE 3	2no. Item References moved to new Element drawing E13
NOTE 4	These item References revised to new width of 3720mm

Style Windows © Copyright 2019. Do not reuse. Use subject to permission. All dimensions in millimetres unless otherwise stated.

SPECIFICATION DETAILS

System: Schüco
 * ASE 80.HI Sliding Door system

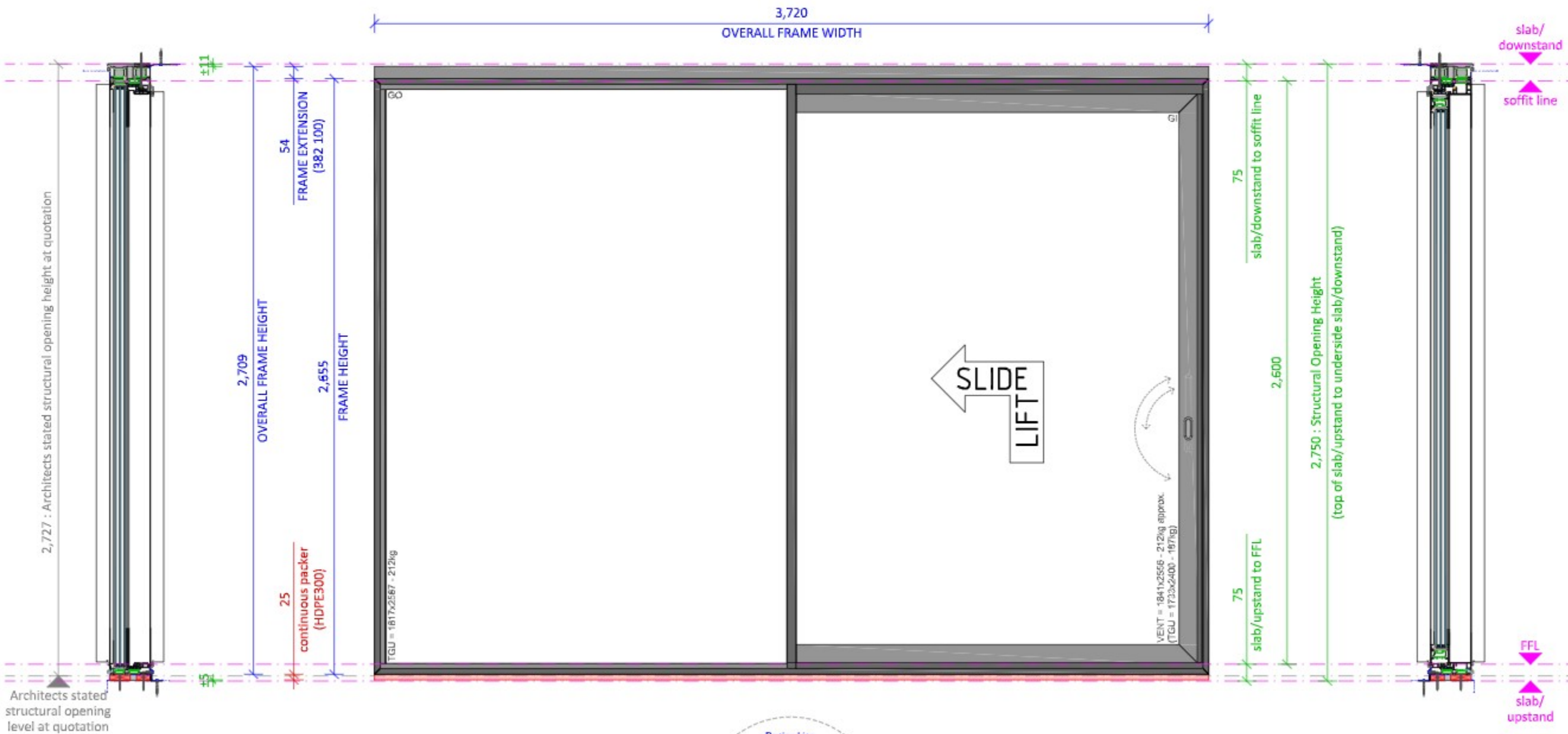
General Information:
 * Single track with lift-and-slide door vent running internally and fixed light glazed directly into outer frame
 * Type 1A.I
 * Internally glazed vent
 * Externally glazed fixed light
 * Design Line narrow interlocking section
 ** Reinforced with 2no. Schüco steel profile (201 058)
 ** $I_x = 306.06\text{cm}^4$
 * Vent details
 ** Fixed Insulating Bars
 ** Max. weight 350kg
 * Additional profile
 ** AWS 75.SI* Outer frame extension profile 54 (382 100)
 ** 2no. lengths required at Head
 * Continuous level packers
 ** High Density Polyethylene HDPE300
 ** 2no. required at Threshold
 *** 1no. 60x25mm + 1no. 90x25mm

Hardware:
 * Multipoint locking
 * 1no. Internal Crank handle (Height: 230mm) with profile cylinder recess
 ** Art. No. 269 417
 ** C0 (Silver anodised appearance)
 * 1no. External Handle recess
 ** Art. No. 269 400
 ** C0 (Silver anodised appearance)
 * Half Profile Cylinder with internal key access
 ** Profile Cylinder (55/10)
 ** Art. No. 279 214
 ** Nickel-plated
 ** Cylinder setting [EO]
 *** All ASE80.HI Sliding doors within the same Apartment to be Universal-locking profile cylinders.

Finish: Special Dual Colour
 * External Anodised = UA Anodok Bronze 547
 * Internal PPC = RAL 9016 (Traffic White)
 ** 80 Microns

Installation:
 * Direct + Lug fixed (where possible)
 * Ex/Int continuous EPDM skirt to perimeter
 * Ex/Int mastic + expanding foam (where req'd)

Please Note:
 The structural opening for sliding doors must be designed and constructed to provide a head and sill 'deflection' of no more than 2-3mm. Any greater deflection may render the doors inoperable or cause damage.



Glazing Specification.01: Solar Control
 47mm Triple Glazed Unit
 Outer - 6mm ExtraClear TSG SunGuard SN 75 HT [R2]
 Cavity - 14.5mm Black Warm Edge spacer [Argon 90%]
 Centre - 6mm ExtraClear Toughened Safety Glass
 Cavity - 14.5mm Black Warm Edge spacer [Argon 90%]
 Inner - 6mm ExtraClear TSG ClimaGuard A 1.1 [R5]
 * Centre pane U-value = 0.6 W/m²K

Overall Quantity
8

C1	23/06/21	Raised to 'Construction' status as AXM Status A (28/05/21) Ironmongery confirmed (23/06)
P8	23/04/21	Detail D33 added to table
P2	06/04/21	Revised in accordance with Design meeting (26/03/21) + Design meeting (18/03/21) + AXM comments (18/03/21)

REV.	DATE	DESCRIPTION
------	------	-------------

DRAWING STATUS
CONSTRUCTION

Style Windows
 Style House
 La Grande Route de St Pierre, St Peter, JE3 7AY
 t: 01534 744281 f: 01534 747276
 www.stylewindows.je

JOB DESCRIPTION
 One St Brelade
 St. Brelade
 Jersey

DRAWING TITLE
 South Elevation Screen Elements:
 Schüco ASE 80.HI (02)
 External Elevation + Sections

DRAWN BY	KT
DRAWN DATE	16/02/2021
SCALE	1:20 @ A3
DRAWING NUMBER	4001-E06
REVISION	C1

Window Type	Reference	Level	Common Hall	Location	Details				Handing	
					Head	Sill	LH Jamb	RH Jamb	AS DRAWN	Quantity
09	W04	LG	LGF012	Grid lines (7) - (8)	AS DRAWN	D25	D30	D30	AS DRAWN	1

NOTE 1 Further AXM comments (07/07/21):
 No requirement for panic hardware - only override from escape side. Electrically powered locks should fall open on loss of power, system error or activation of manual door release. Card reader required. Actuator to open on fire alarm activation required. Style confirm ironmongery specification below will satisfy statement above.
 * Style/Technicare to provide DFA battery backup for DFA127 operator. However, Client/(M&E contractor) to provide battery backup for retraction of SafeMatic latches during loss of power!

NOTE 2 EO height increase of 320mm

Style Windows © Copyright 2019. Do not reuse. Use applies dimensionally. All dimensions in millimetres unless otherwise stated.

SPECIFICATION DETAILS

System: Schüco
 * AD UP 75 Hinged Door system

General Information:
 * Outward opening door
 * Internally glazed (Glazinn)
 * Concealed drainage
 * 20mm Door threshold (507 606)
 ** CO finish (Silver anodised appearance)
 ** Adapter profile (278 136)
 ** Plastic base profile (875 600)
 *** Reinforced with Steel profile (202 446)

Additional profile:
 ** Outer frame extension profile 100 (355990)
 *** Ino. length required at Head

Components:
 507 130 - Outer frame, rebates design, 44/76
 507 270 - Door leaf 56/119, outward-opening
 608 310 - Glazing Bead 30/12
 294 321 - Glazing rebate gasket (Black) [ext.]
 284 835 - Glazing gasket 5-6 (Black) [int.]

507 606 - Door threshold
 278 136 - Adapter profile
 875 600 - Plastic base profile
 202 446 - Steel profile

355 990 - Outer frame extension profile 100

Finish: Special Dual Colour
 * External Anodised = UA Anodok Bronze 547
 * Internal PPG = RAL 9016 (Traffic White)
 ** 80 Microns

Background-I Ventilation:
 * N/A

Installation:
 * Internally fixed with fixing lugs at head/jamb to structure
 * Direct fixed to adjacent framework with Torx Button Screw (M8x80) and Torx Button Barrel Nut (M8x30) or similar
 * Direct fixed to jamb to structure with Torx Button Screw (M8x90) and Nut (M8) or similar into intermittent brackets of Aluminium Equal Angle (63.5x63.5x8) secured to structure
 * Internally fixed with bspoke fixing lugs at sill
 ** Galvanised steel angle 50x50x2.5mm
 * Ex/Int continuous EPDM skirt to perimeter
 * Ex/Int mastic with expanding foam (where required)

Fabrication:
 * Intermittent brackets of Aluminium Equal Angle (63.5x63.5x8)
 * Bspoke fixing lugs at sill of Galvanised steel angle 50x50x2.5mm

REV.	DATE	DESCRIPTION
C3	09/11/21	Ironmongery spec. revised
C2	14/07/21	Revised in accordance with AXM comments (07/07/21) Ironmongery spec. revised + Fabrication released!
C1	24/06/21	Revised in accordance with AXM comments (28/05/21) + Raised to 'Construction' status Ironmongery in obsolescence + Fabrication on hold! (23/06/21)

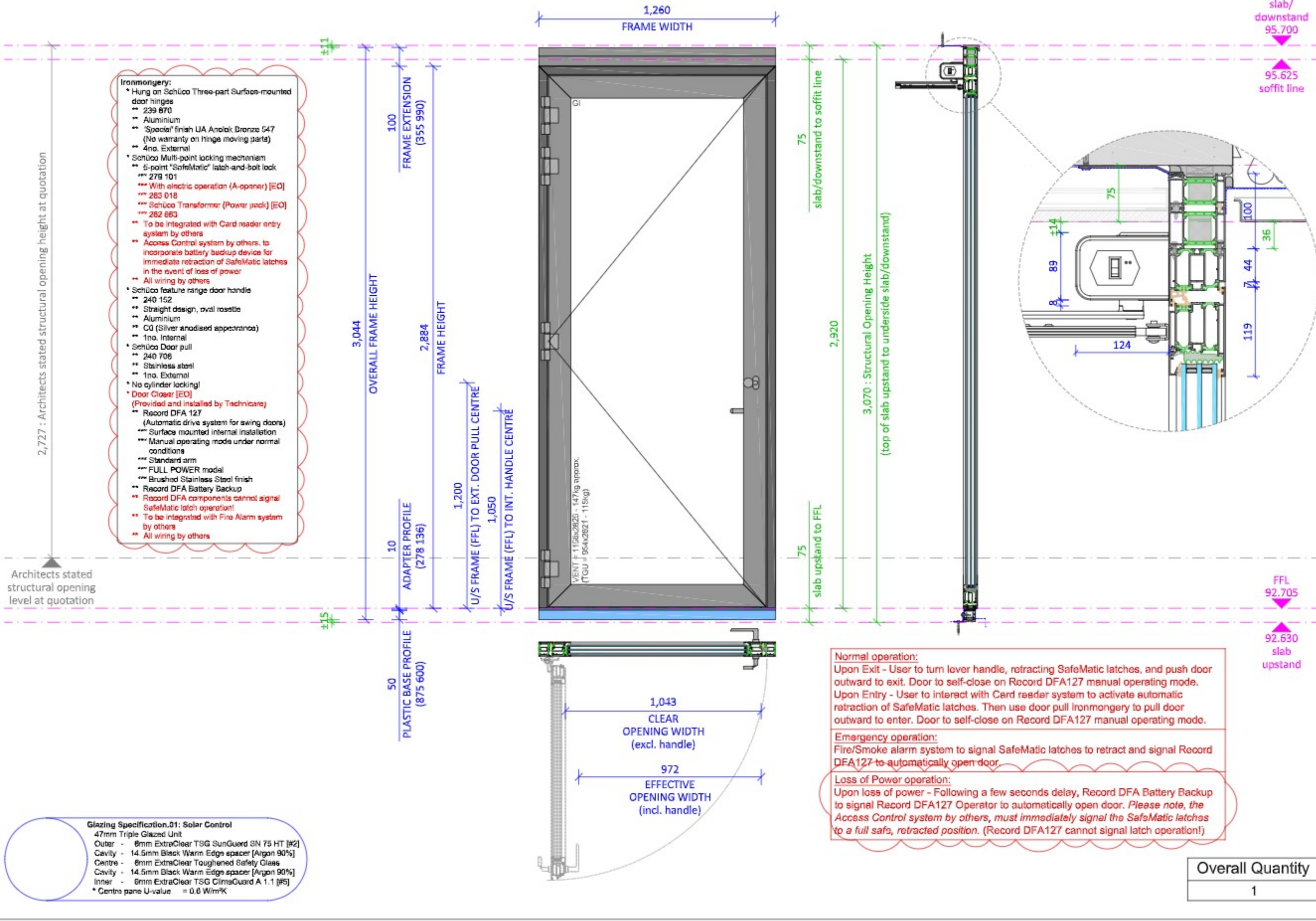
DRAWING STATUS
 CONSTRUCTION

Style Windows
 Style House
 La Grande Route de St Pierre, St Peter, JE3 7AY
 t: 01534 744281 f: 01534 747276
 www.stylewindows.je

JOB DESCRIPTION
 One St Brelade
 St. Brelade
 Jersey

DRAWING TITLE
 South Elevation Screen Elements:
 Schüco AD UP 75 (02)
 External Elevation + Sections

DRAWN BY	KT
DRAWN DATE	18/02/2021
SCALE	1:20 @ A3
DRAWING NUMBER	REVISION
4001-E07	C3



Ironmongery:
 * Hung on Schüco Three-part Surface-mounted door hinges
 ** 239 870
 ** Aluminium
 ** 'Special' finish UA Anodok Bronze 547 (No warranty on hinge moving parts)
 ** 4no. External
 * Schüco Multi-point locking mechanism
 ** 5-point 'SafeMatic' latch-and-bolt lock
 *** 278 101
 *** With electric operation (A-opener) [EO]
 *** 283 018
 *** Schüco Transformer (Power pack) [EO]
 *** 282 663
 ** To be integrated with Card reader entry system by others
 ** Access Control system by others, to incorporate battery backup device for immediate retraction of SafeMatic latches in the event of loss of power
 ** All wiring by others
 * Schüco feature range door handles
 ** 240 152
 ** Straight design, oval rosette
 ** Aluminium
 ** CO (Silver anodised appearance)
 ** 1no. Internal
 * Schüco Door pull
 ** 240 706
 ** Stainless steel
 ** 1no. External
 * No cylinder locking!
 * Door Closer [EO]
 (Provided and installed by Technicare)
 * Record DFA 127
 (Automatic drive system for swing doors)
 *** Surface mounted internal installation
 *** Manual operating mode under normal conditions
 *** Standard arm
 *** FULL POWER model
 *** Brushed Stainless Steel finish
 * Record DFA Battery Backup
 * Record DFA components cannot signal SafeMatic latch operation!
 ** To be integrated with Fire Alarm system by others
 ** All wiring by others

2,727 : Architects stated structural opening height at quotation

Architects stated structural opening level at quotation

Glazing Specification.01: Solar Control
 47mm Triple Glazed Unit
 Outer - 6mm ExtraClear TSG SunGuard SN 75 HT [#2]
 Cavity - 14.5mm Black Warm Edge spacer [Argon 90%]
 Centre - 6mm ExtraClear Toughened Safety Glass
 Cavity - 14.5mm Black Warm Edge spacer [Argon 90%]
 Inner - 6mm ExtraClear TSG ClimateGuard A 1.1 [#5]
 * Centre pane U-value = 0.8 W/m²K

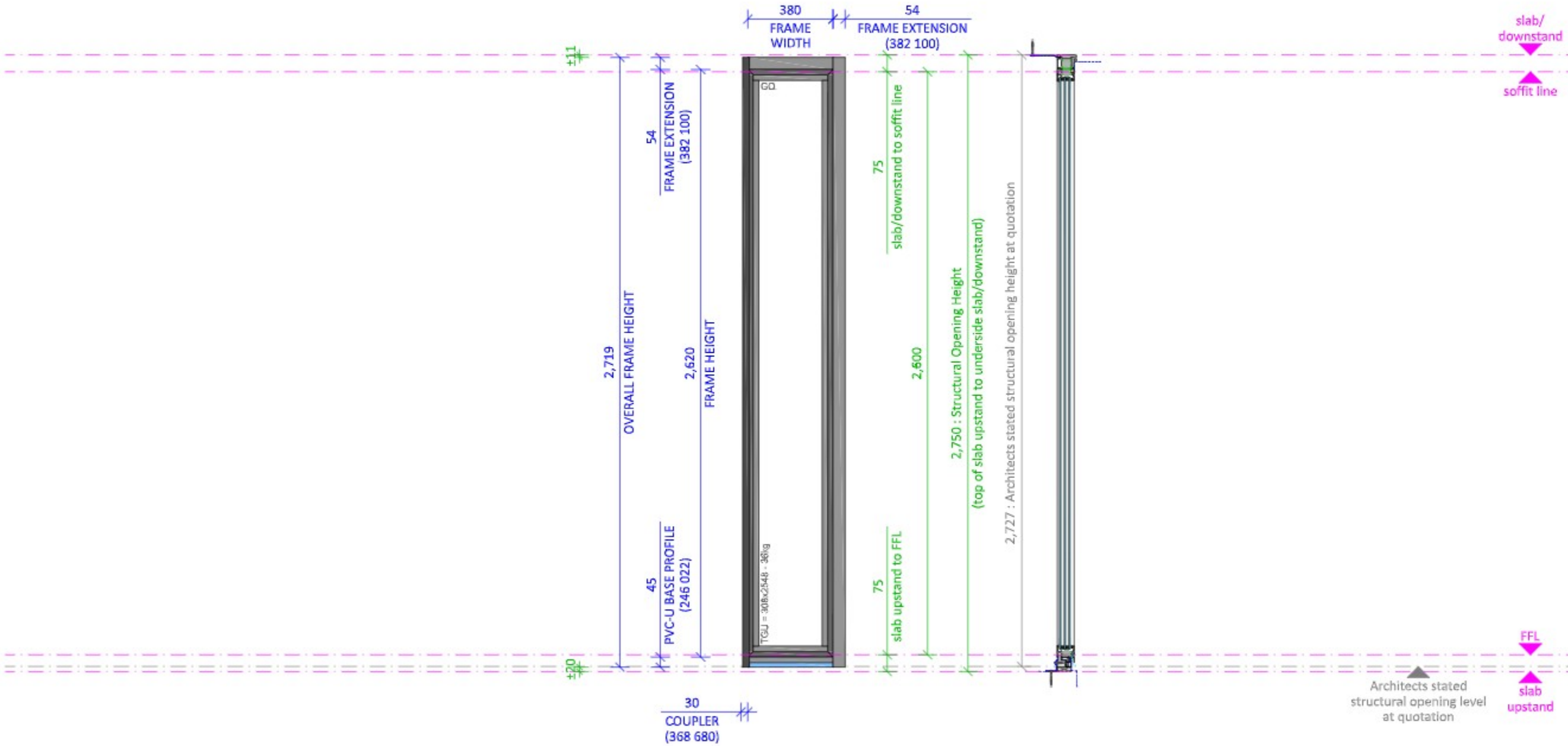
Normal operation:
 Upon Exit - User to turn lever handle, retracting SafeMatic latches, and push door outward to exit. Door to self-close on Record DFA127 manual operating mode.
 Upon Entry - User to interact with Card reader system to activate automatic retraction of SafeMatic latches. Then use door pull ironmongery to pull door outward to enter. Door to self-close on Record DFA127 manual operating mode.

Emergency operation:
 Fire/Smoke alarm system to signal SafeMatic latches to retract and signal Record DFA127 to automatically open door.

Loss of Power operation:
 Upon loss of power - Following a few seconds delay, Record DFA Battery Backup to signal Record DFA127 Operator to automatically open door. Please note, the Access Control system by others, must immediately signal the SafeMatic latches to a full safe, retracted position. (Record DFA127 cannot signal latch operation!)

Overall Quantity
 1

Window Type	Reference	Level	Apartment	Location	Details				Handing	
					Head	Sill	LH Jamb	RH Jamb	AS DRAWN	
09	W04	LG	10	Bedroom 1	D24	D24	D11	D11	AS DRAWN	
Quantity									1	



Glazing Specification.01: Solar Control
 47mm Triple Glazed Unit
 Outer - 6mm ExtraClear TSG SunGuard SN 75 HT [#2]
 Cavity - 14.5mm Black Warm Edge spacer [Argon 90%]
 Centre - 6mm ExtraClear Toughened Safety Glass
 Cavity - 14.5mm Black Warm Edge spacer [Argon 90%]
 Inner - 6mm ExtraClear TSG ClimaGuard A 1.1 [#5]
 * Centre pane U-value = 0.6 W/m²K

SPECIFICATION DETAILS

- System:** Schüco
 * AWS 75.SI+ Window system
- General Information:**
 * 1no. Fixed light
 * Externally glazed (GlazoOut)
 * Concealed drainage
 * Schüco PVC-U Base Profile at sill
 ** Reinforced with Schüco Steel tube
 34x30x2mm (201 033)
 ** Finish with Attachment profile 25 (348 970)
 * Additional profile
 ** Outer frame extension profile 54 (382 100)
 *** 1no. length required at Head
 *** 1no. length required at RH Jamb
 ** Coupling mullion 15 (368 680)
 ** Retaining profile (224 129)
 ** Cover profile (105 620)
 ** Steel tube 30x50x4 (201 056)
 *** 1no. length required at LH Jamb

- Components:**
 480 830 - Outer frame, outside, 53/24
 391 680 - Glazing Bead 12mm
 244 058 - Gasket cord Ø 2.5mm, EPDM
 284 321 - Glazing rebate gasket (Black) [ext.]
 284 835 - Glazing gasket 5-6 (Black) [int.]
- 246 022 - PVC-U base profile
 244 512 - EPDM gasket cord, Ø 4.5mm
 201 033 - Steel tube 34x30x2
 348 970 - Wall attachment profile 25
 286 251 - Plastic profile retaining clip
 244 511 - Gasket cord
 287 589 - Seal (located at ends)

- 382 100 - Outer frame extension profile 54
 368 680 - Coupling mullion 15
 224 129 - Retaining profile
 105 620 - Cover profile
 201 056 - Steel tube 30x50x4

- Finish:** Special Dual Colour
 * External Anodised = UA Anodic Bronze 547
 * Internal PPC = RAL 9016 (Traffic White)
 ** 60 Microns

- Background Ventilation:**
 * N/A

- Installation:**
 * Internally fixed with fixing lugs at head/RH jamb to structure
 * Direct fixed to adjacent framework
 * Internally fixed with bespoke fixing lugs at sill
 ** Aluminium Equal Angle 50x50x3mm
 * Ex/Int continuous EPDM skirt to perimeter
 * Ex/Int mastic with expanding foam (where required)

REV.	DATE	DESCRIPTION
C1	16/06/21	Raised to 'Construction' status as AXM Status A (28/05/21)
P2	02/04/21	Revised in accordance with AXM coupling Opt.2 (01/04/21) + Design meeting (29/03/21) + Design meeting (18/03/21) + AXM comments (18/03/21)

DRAWING STATUS
 CONSTRUCTION

Style Windows
 Style House
 La Grande Route de St Pierre, St Peter, JE3 7AY
 t: 01534 744281 f: 01534 747276
 www.stylewindows.je

JOB DESCRIPTION
 One St Brelade
 St. Brelade
 Jersey

DRAWING TITLE
 South Elevation Screen Elements:
 Schüco AWS 75.SI+ (04)
 External Elevation + Sections

DRAWN BY	KT
DRAWN DATE	17/02/2021
SCALE	1:20 @ A3
DRAWING NUMBER	REVISION
4001-E08	C1

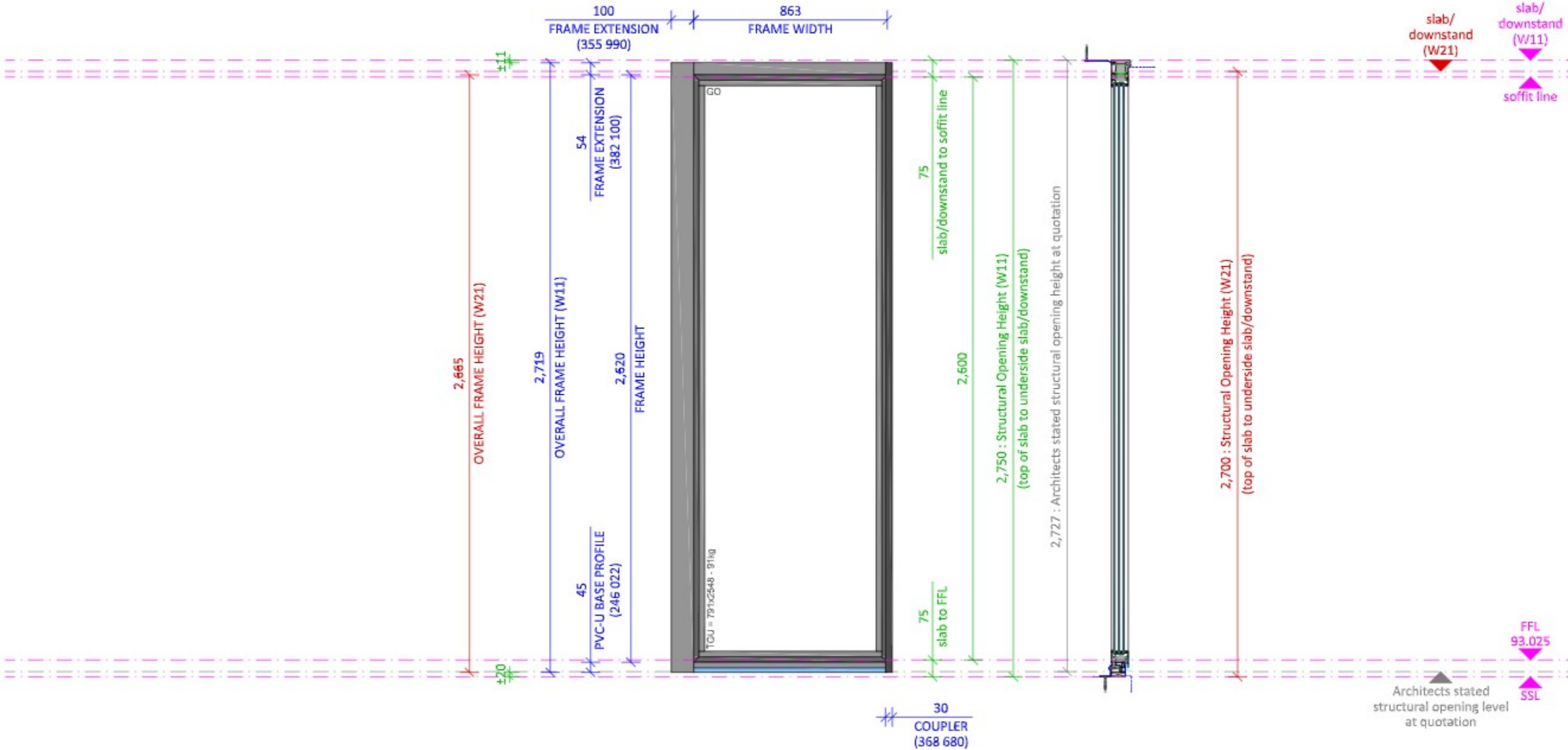
Overall Quantity
 1

Window Type	Reference	Level	Apartment	Location	Details				Handing	
					Head	Sill	LH Jamb	RH Jamb		
11	W11	Grd (00)	07	Kitchen/Living Room	D25	D28	D18	D02	AS DRAWN	
11	W21	1st (01)	04	Kitchen/Living Room	D25	D28	D18	D02	AS DRAWN	
Quantity									2	

See NOTE 2

NOTE 1 Frame and glass dimensions identical to window on drawing E02

NOTE 2 For noted single item only:
SO height reduced to 2700mm due to 2nd floor green roof soffit between Grid lines (1)+(3).
Consequently, Outer frame extension profile 54 (382 100) at head not required!



SPECIFICATION DETAILS

System: Schüco
 * AWS 75.SI Window system

General Information:

- * 1no. Fixed light
- * Externally glazed (GlazoOut)
- * Concealed drainage
- * Schüco PVC-U Base Profile at sill
 - ** Reinforced with Schüco Steel tube 34x30x2mm (201 033)
 - ** Finished with Attachment profile 25 (346 970)
- * Additional profile
 - ** Outer frame extension profile 54 (382 100)
 - *** 1no. length required at Head (W11 only)
 - ** Outer frame extension profile 100 (355990)
 - *** 1no. length required at LH Jamb
 - ** Coupling mullion 15 (366 680)
 - ** Retaining profile (224 129)
 - ** Cover profile (105 620)
 - ** Steel tube 30x50x4 (201 056)
 - *** 1no. length required at RH Jamb

Components:

- 480 630 - Outer frame, outside, 53/24
- 391 680 - Glazing Bead 12mm
- 344 056 - Gasket cord Ø 2.5mm, EPDM
- 284 321 - Glazing rebate gasket (Black) [ext.]
- 284 835 - Glazing gasket 5-6 (Black) [int.]
- 246 022 - PVC-U base profile
- 344 512 - EPDM gasket cord, Ø 4.5mm
- 201 033 - Steel tube 34x30x2
- 346 970 - Wall attachment profile 25
- 266 261 - Plastic profile retaining clip
- 244 511 - Gasket cord
- 267 689 - Seal (located at ends)
- 382 100 - Outer frame extension profile 54
- 355 990 - Outer frame extension profile 100
- 366 680 - Coupling mullion 15
- 224 129 - Retaining profile
- 105 620 - Cover profile
- 201 056 - Steel tube 30x50x4

Finish: Special Dual Colour
 * External Anodised = UA Anolok Bronze 547
 * Internal PPC = RAL 9016 (Traffic White)
 ** 60 Microns

Background Ventilation:
 * N/A

Installation:

- * Internally fixed with fixing lugs at head
- * Direct fixed to adjacent framework
- * Internally fixed with bosses fixing lugs at sill
 - ** Aluminium Equal Angle 50x50x3mm
- * Ext/int continuous EPDM skirt to perimeter
- * Ext/int mastic with expanding foam (as req'd)

REV.	DATE	DESCRIPTION
C1	16/06/21	Revised in accordance with AXM comments (28/05/21) + Raised to 'Construction' status
PS	23/04/21	Detail D02 added to table
P2	02/04/21	Revised in accordance with AXM coupling Opt.2 (01/04/21) + Design meeting (29/03/21) + Design meeting (18/03/21) + AXM comments (18/03/21)

DRAWING STATUS
CONSTRUCTION

Style Windows
 Style House
 La Grande Route de St Pierre, St Peter, JE3 7AY
 t: 01534 744281 f: 01534 747276
 www.stylewindows.je

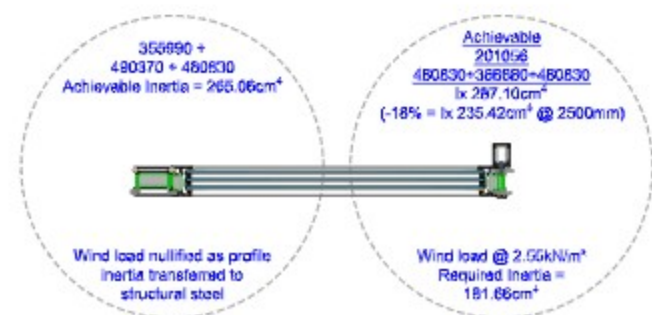
JOB DESCRIPTION
 One St Brelade
 St. Brelade
 Jersey

DRAWING TITLE
 South Elevation Screen Elements:
 Schüco AWS 75.SI+ (05)
 External Elevation + Sections

DRAWN BY	KT
DRAWN DATE	18/02/2021
SCALE	1:20 @ A3
DRAWING NUMBER	REVISION
4001-E09	C1

Overall Quantity
2

Glazing Specification.01: Solar Control
 47mm Triple Glazed Unit
 Outer - 6mm ExtraClear TSG SunGuard SN 75 HT [R2]
 Cavity - 14.5mm Black Warm Edge spacer [Argon 90%]
 Centre - 6mm ExtraClear Toughened Safety Glass
 Cavity - 14.5mm Black Warm Edge spacer [Argon 90%]
 Inner - 6mm ExtraClear TSG ClimateGuard A 1.1 [R5]
 * Centre pane U-value = 0.6 W/m²K



Window Type	Reference	Level	Apartment	Location	Details				Handing	
					Head	Sill	LH Jamb	RH Jamb		
09	W04	LG	10	Kitchen/Living Room	D26	D26	D08	D07		MIRRORED
11	W11	Grd (00)	08	Kitchen/Living Room	D26	D29	D15	D16	AS DRAWN	
11	W11	Grd (00)	08	Bedroom 2	D26	D29	D16	D31		MIRRORED
11	W21	1st (01)	05	Kitchen/Living Room	D26	D29	D15	D16	AS DRAWN	
11	W21	1st (01)	05	Bedroom 2	D26	D29	D16	D31		MIRRORED
12	W35	2nd (02)	03	Kitchen/Living Room	D26	D29	D12	D21	AS DRAWN	
13	W36	2nd (02)	02	Kitchen/Living Room	D26	D29	D16	D22		MIRRORED
13	W36	2nd (02)	02	Kitchen/Living Room	D26	D29	D22	D12	AS DRAWN	
14	W47	3rd (03)	01	Kitchen/Dining	D29	D29	D12	D23		MIRRORED
15	W48	3rd (03)	01	Living Room	D29	D29	D32	D12		MIRRORED
									Quantity	4
										6

NOTE 1 These item References revised to new width of 3765mm

Style Windows © Copyright 2019. Do not reuse. Use applies to drawings only. All dimensions in millimetres unless otherwise stated.

SPECIFICATION DETAILS

System: Schüco
 * ASE 80.HI Sliding Door system

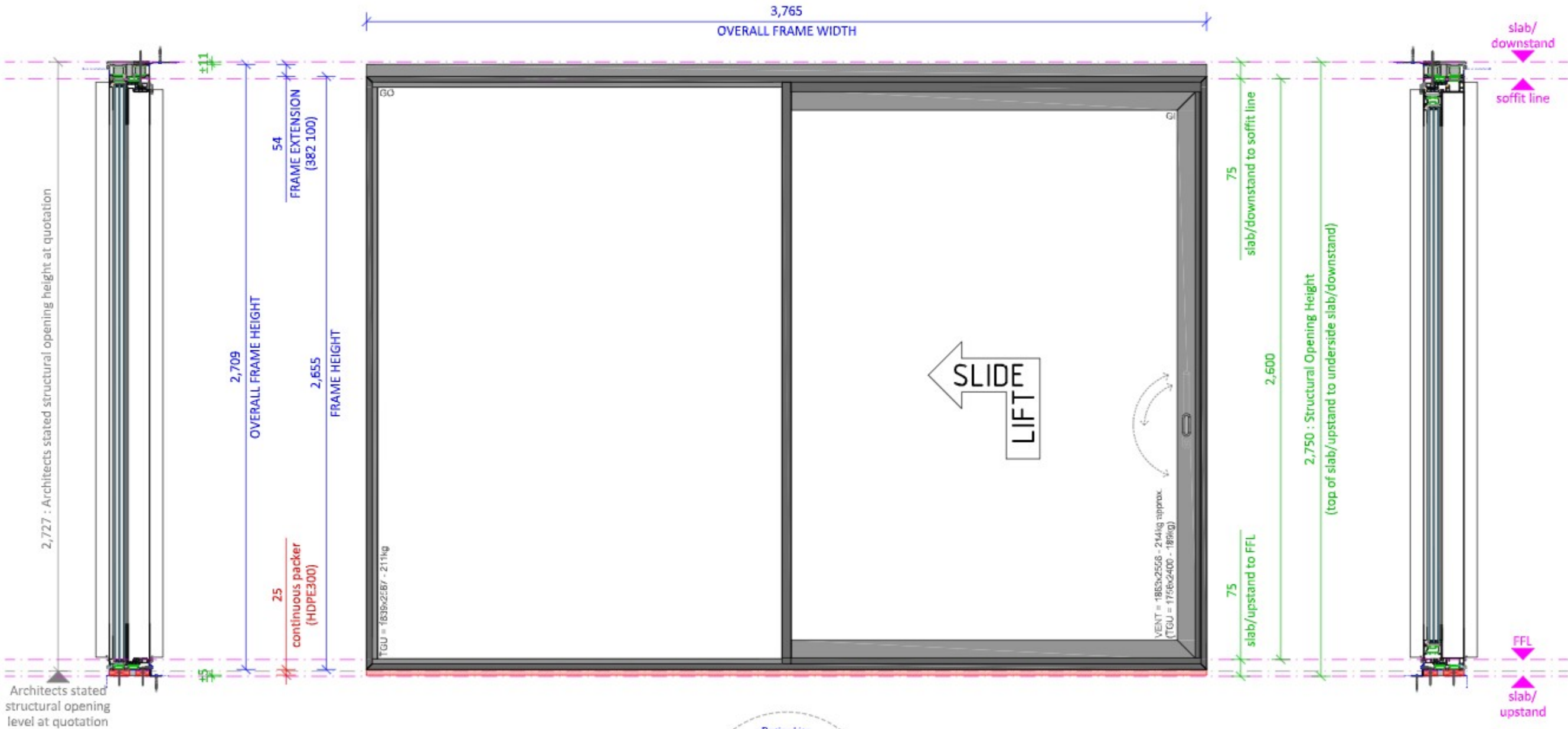
General Information:
 * Single track with lift-and-slide door vent running internally and fixed light glazed directly into outer frame
 * Type 1A.I
 * Internally glazed vent
 * Externally glazed fixed light
 * Design Line narrow interlocking section
 ** Reinforced with 2no. Schüco steel profile (201 058)
 ** $I_x = 306.08\text{cm}^4$
 * Vent details
 ** Fixed Insulating Bars
 ** Max. weight 350kg
 * Additional profiles
 ** AWS 75.SI Outer frame extension profile 54 (382 100)
 ** 2no. lengths required at Head
 * Continuous level packers
 ** High Density Polyethylene HDPE300
 ** 2no. required at Threshold
 *** 1no. 60x25mm + 1no. 90x25mm

Hardware:
 * Multipoint locking
 * 1no. Internal Crank handle (Height: 230mm) with profile cylinder recess
 ** Art. No. 269 417
 ** C0 (Silver anodised appearance)
 * 1no. External Handle recess
 ** Art. No. 269 400
 ** C0 (Silver anodised appearance)
 * Half Profile Cylinder with internal key access
 ** Profile Cylinder (55/10)
 ** Art. No. 279 214
 ** Nickel-plated
 ** Cylinder setting [EO]
 *** All ASE80.HI Sliding doors within the same Apartment to be Universal-locking profile cylinders.

Finish: Special Dual Colour
 * External Anodised = UA Anodok Bronz 547
 * Internal PPC = RAL 9016 (Traffic White)
 ** 80 Microns

Installation:
 * Direct + Lug fixed (where possible)
 * Ex/Int continuous EPDM skirt to perimeter
 * Ex/Int mastic + expanding foam (where req'd)

Please Note:
 The structural opening for sliding doors must be designed and constructed to provide a head and sill 'deflection' of no more than 2-3mm. Any greater deflection may render the doors inoperable or cause damage.



Glazing Specification.01: Solar Control
 47mm Triple Glazed Unit
 Outer - 6mm ExtraClear TSG SunGuard SN 75 HT [#2]
 Cavity - 14.5mm Black Warm Edge spacer [Argon 90%]
 Centre - 6mm ExtraClear Toughened Safety Glass
 Cavity - 14.5mm Black Warm Edge spacer [Argon 90%]
 Inner - 6mm ExtraClear TSG ClimaGuard A 1.1 [#6]
 * Centre pane U-value = 0.6 W/m²K

Design Line
 Narrow interlocking section
 Achievable Inertia = 306.08cm⁴
 Wind load @ 2.55kN/m²
 Required Inertia = 266.17cm⁴

Overall Quantity
 10

C1	23/06/21	Raised to 'Construction' status as AXM Status A (28/05/21) Inauguratory confirmed (23/06)
REV.	DATE	DESCRIPTION

DRAWING STATUS
 CONSTRUCTION

Style Windows
 Style House
 La Grande Route de St Pierre, St Peter, JE3 7AY
 t: 01534 744281 f: 01534 747276
 www.stylewindows.je

JOB DESCRIPTION
 One St Brelade
 St. Brelade
 Jersey

DRAWING TITLE
 South Elevation Screen Elements:
 Schüco ASE 80.HI (03)
 External Elevation + Sections

DRAWN BY	KT
DRAWN DATE	06/04/2021
SCALE	1:20 @ A3
DRAWING NUMBER	4001-E10
REVISION	C1

Window Type	Reference	Level	Apartment	Location	Details				Handing	
					Head	Sill	LH Jamb	RH Jamb		
10	W10	Grd (00)	09	Kitchen/Living Room	D26	D29	D06	D31	AS DRAWN	
10	W20	1st (01)	06	Kitchen/Living Room	D26	D29	D06	D31	AS DRAWN	
11	W11	Grd (00)	07	Kitchen/Living Room	D26	D29	D06	D06		MIRRORED
11	W21	1st (01)	04	Kitchen/Living Room	D26	D29	D06	D06		MIRRORED
Quantity									2	2

NOTE 1 These item References revised to new width of 3680mm

SPECIFICATION DETAILS

System: Schüco
 * ASE 80.HI Sliding Door system

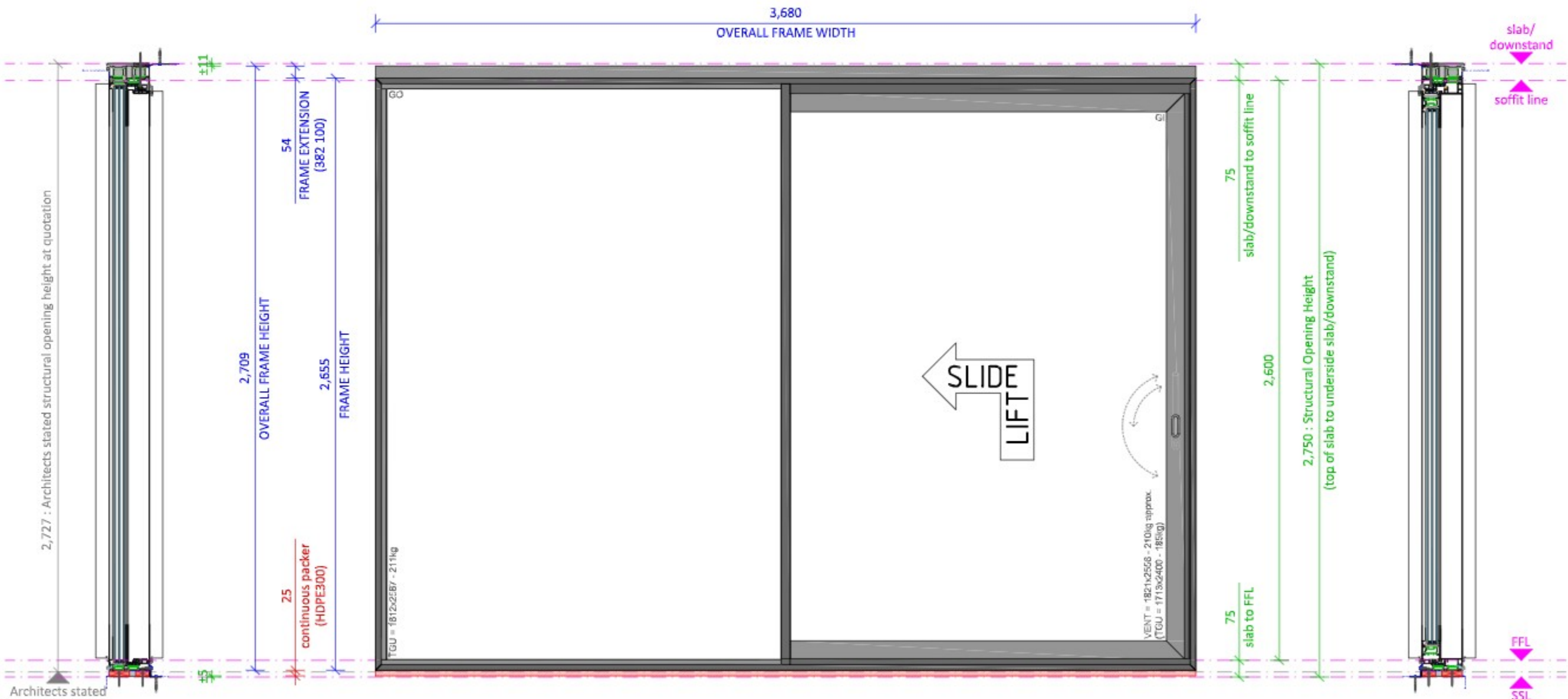
General Information:
 * Single track with lift-and-slide door vent running internally and fixed light glazed directly into outer frame
 * Type 1A.I
 * Internally glazed vent
 * Externally glazed fixed light
 * Design Line narrow interlocking section
 ** Reinforced with 2no. Schüco steel profile (201 058)
 ** $I_x = 306.06\text{cm}^4$
 * Vent details
 ** Fixed Insulating Bars
 ** Max. weight 350kg
 * Additional profile
 ** AWS 75.SI* Outer frame extension profile 54 (382 100)
 ** 2no. lengths required at Head
 * Continuous level packers
 ** High Density Polyethylene HDPE300
 ** 2no. required at Threshold
 *** 1no. 60x25mm + 1no. 90x25mm

Hardware:
 * Multipoint locking
 * 1no. Internal Crank handle (Height: 230mm) with profile cylinder recess
 ** Art. No. 269 417
 ** CO (Silver anodised appearance)
 * 1no. External Handle recess
 ** Art. No. 269 400
 ** CO (Silver anodised appearance)
 * Half Profile Cylinder with internal key access
 ** Profile Cylinder (55/10)
 ** Art. No. 279 214
 ** Nickel-plated
 ** Cylinder setting [EO]
 *** All ASE80.HI Sliding doors within the same Apartment to be Universal-locking profile cylinders.

Finish: Special Dual Colour
 * External Anodised = UA Anodok Bronze 547
 * Internal PPC = RAL 9016 (Traffic White)
 ** 80 Microns

Installation:
 * Direct + Lug fixed (where possible)
 * Ex/Int continuous EPDM skirt to perimeter
 * Ex/Int mastic + expanding foam (where req'd)

Please Note:
 The structural opening for sliding doors must be designed and constructed to provide a head and sill 'deflection' of no more than 2-3mm. Any greater deflection may render the doors inoperable or cause damage.



Glazing Specification.01: Solar Control
 47mm Triple Glazed Unit
 Outer - 6mm ExtraClear TSG SunGuard SN 75 HT [#2]
 Cavity - 14.5mm Black Warm Edge spacer [Argon 90%]
 Centre - 6mm ExtraClear Toughened Safety Glass
 Cavity - 14.5mm Black Warm Edge spacer [Argon 90%]
 Inner - 6mm ExtraClear TSG ClimaGuard A 1.1 [#5]
 * Centre pane U-value = 0.6 W/m²K

Design Line
 Narrow interlocking section
 Achievable Inertia = 306.06cm⁴
 Wind load @ 2.55kN/m²
 Required Inertia = 266.17cm⁴



Overall Quantity
 4

C1	23/06/21	Raised to 'Construction' status as AXM Status A (28/05/21) Imminently confirmed (23/06)
REV.	DATE	DESCRIPTION

DRAWING STATUS
 CONSTRUCTION

Style Windows
 Style House
 La Grande Route de St Pierre, St Peter, JE3 7AY
 t: 01534 744281 f: 01534 747276
 www.stylewindows.je

JOB DESCRIPTION
 One St Brelade
 St. Brelade
 Jersey

DRAWING TITLE
 South Elevation Screen Elements:
 Schüco ASE 80.HI (04)
 External Elevation + Sections

DRAWN BY	KT
DRAWN DATE	06/04/2021
SCALE	1:20 @ A3
DRAWING NUMBER	REVISION
4001-E11	C1

Window Type	Reference	Level	Apartment	Location	Details				Handing	
					Head	Sill	LH Jamb	RH Jamb		
10	W10	Grd (00)	09	Kitchen/Living Room	D26	D29	D12	D13	AS DRAWN	
11	W11	Grd (00)	07	Kitchen/Living Room	D26	D29	D05	D18	AS DRAWN	
10	W20	1st (01)	06	Kitchen/Living Room	D26	D29	D12	D13	AS DRAWN	
11	W21	1st (01)	04	Kitchen/Living Room	D26	D29	D13	D18	AS DRAWN	
Quantity									4	

See NOTE 3

NOTE 1	Item Reference W10 and W20 revised to new width of 3390mm
NOTE 2	Item Reference W11 and W21 moved from Element drawing E06
NOTE 3	For noted single item only: SO height reduced to 2700mm due to 2nd floor green roof soffit between Grid lines (1)+(3). Consequently, Outer frame extension profile 54 (382 100) at head not required!

Style Windows © Copyright 2019. Do not make, use or distribute drawings without written permission from stylewindows.com

SPECIFICATION DETAILS

System: Schüco
 * ASE 80.HI Sliding Door system

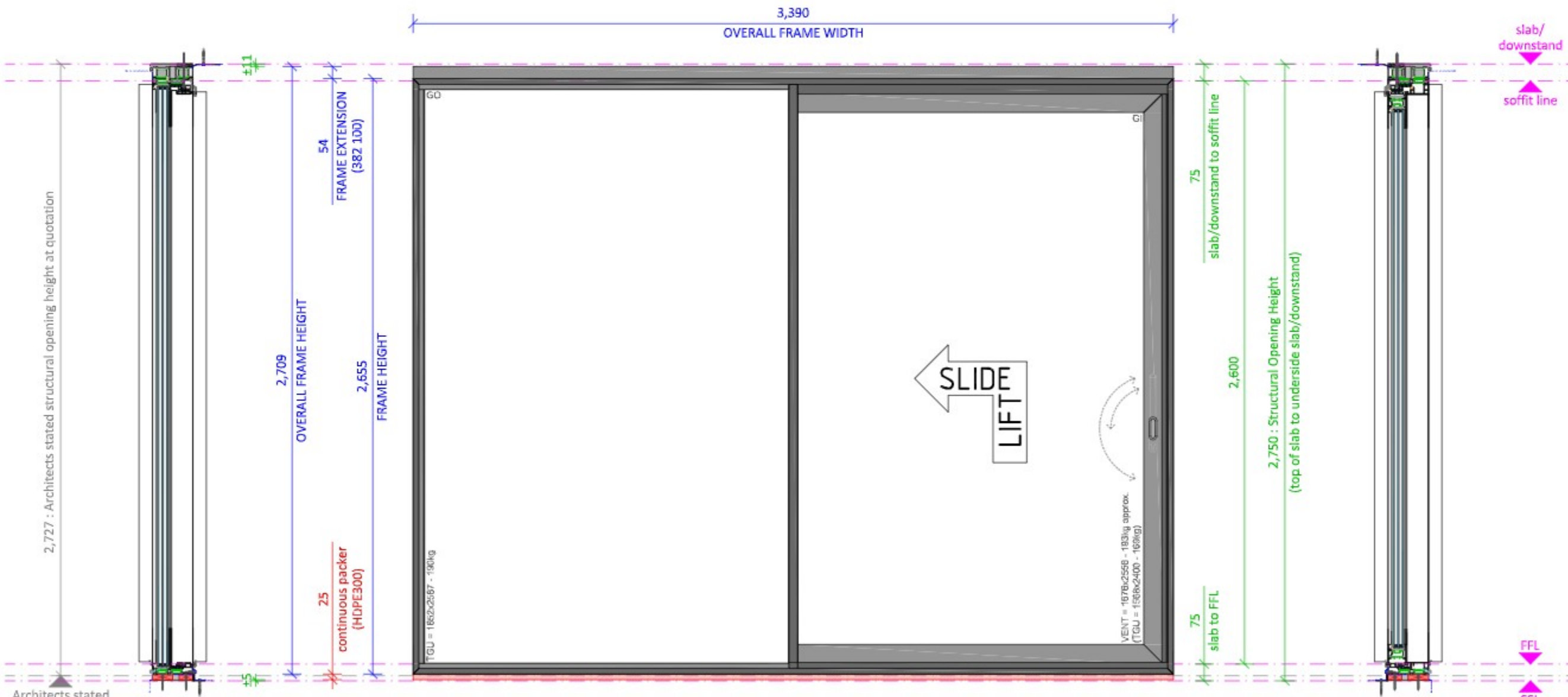
General Information:
 * Single track with lift-and-slide door vent running internally and fixed light glazed directly into outer frame
 * Type 1A.I
 * Internally glazed vent
 * Externally glazed fixed light
 * Design Line narrow interlocking section
 ** Reinforced with 2no. Schüco steel profile (201 058)
 ** $I_x = 306.06\text{cm}^4$
 * Vent details
 ** Fixed Insulating Bars
 ** Max. weight 350kg
 * Additional profiles
 ** AWS 75.SI Outer frame extension profile 54 (382 100)
 ** 2no. lengths required at Head
 * Continuous level packers
 ** High Density Polyethylene HDPE300
 ** 2no. required at Threshold
 *** 1no. 60x25mm + 1no. 90x25mm

Hardware:
 * Multipoint locking
 * 1no. Internal Crank handle (Height: 230mm) with profile cylinder recess
 ** Art. No. 269 417
 ** CO (Silver anodised appearance)
 * 1no. External Handle recess
 ** Art. No. 269 400
 ** CO (Silver anodised appearance)
 * Half Profile Cylinder with internal key access
 ** Profile Cylinder (55/10)
 ** Art. No. 279 214
 ** Nickel-plated
 ** Cylinder setting [EO]
 *** All ASE80.HI Sliding doors within the same Apartment to be Universal-locking profile cylinders.

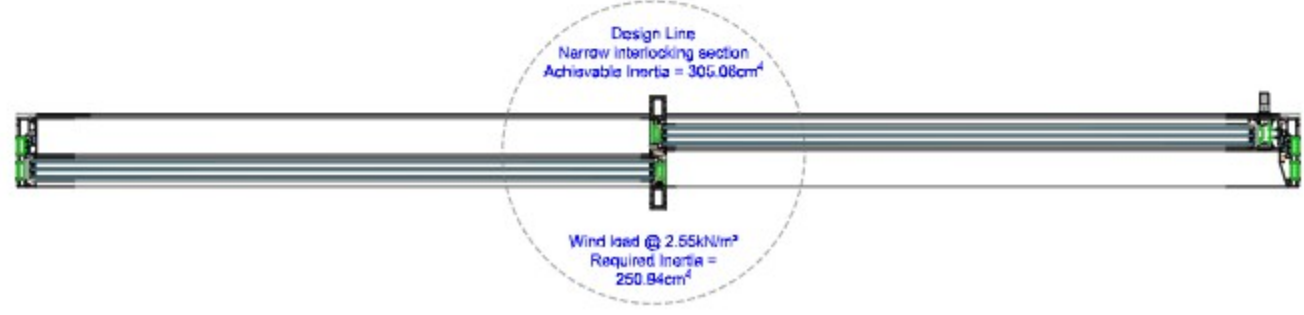
Finish: Special Dual Colour
 * External Anodised = UA Anodok Bronze 547
 * Internal PPC = RAL 9016 (Traffic White)
 ** 80 Microns

Installation:
 * Direct + Lug fixed (where possible)
 * Ex/Int continuous EPDM skirt to perimeter
 * Ex/Int mastic + expanding foam (where req'd)

Please Note:
 The structural opening for sliding doors must be designed and constructed to provide a head and sill 'deflection' of no more than 2-3mm. Any greater deflection may render the doors inoperable or cause damage.



Glazing Specification.01: Solar Control
 47mm Triple Glazed Unit
 Outer - 6mm ExtraClear TSG SunGuard SN 75 HT [#2]
 Cavity - 14.5mm Black Warm Edge spacer [Argon 90%]
 Centre - 6mm ExtraClear Toughened Safety Glass
 Cavity - 14.5mm Black Warm Edge spacer [Argon 90%]
 Inner - 6mm ExtraClear TSG ClimaGuard A 1.1 [#5]
 * Centre pane U-value = 0.6 W/m²K



REV.	DATE	DESCRIPTION
C1	23/06/21	Revised in accordance with AXM comments (28/05/21) + Raised to 'Construction' status in accordance with confirmed (23/06)

DRAWING STATUS
 CONSTRUCTION

Style Windows
 Style House
 La Grande Route de St Pierre, St Peter, JE3 7AY
 t: 01534 744281 f: 01534 747276
 www.stylewindows.je

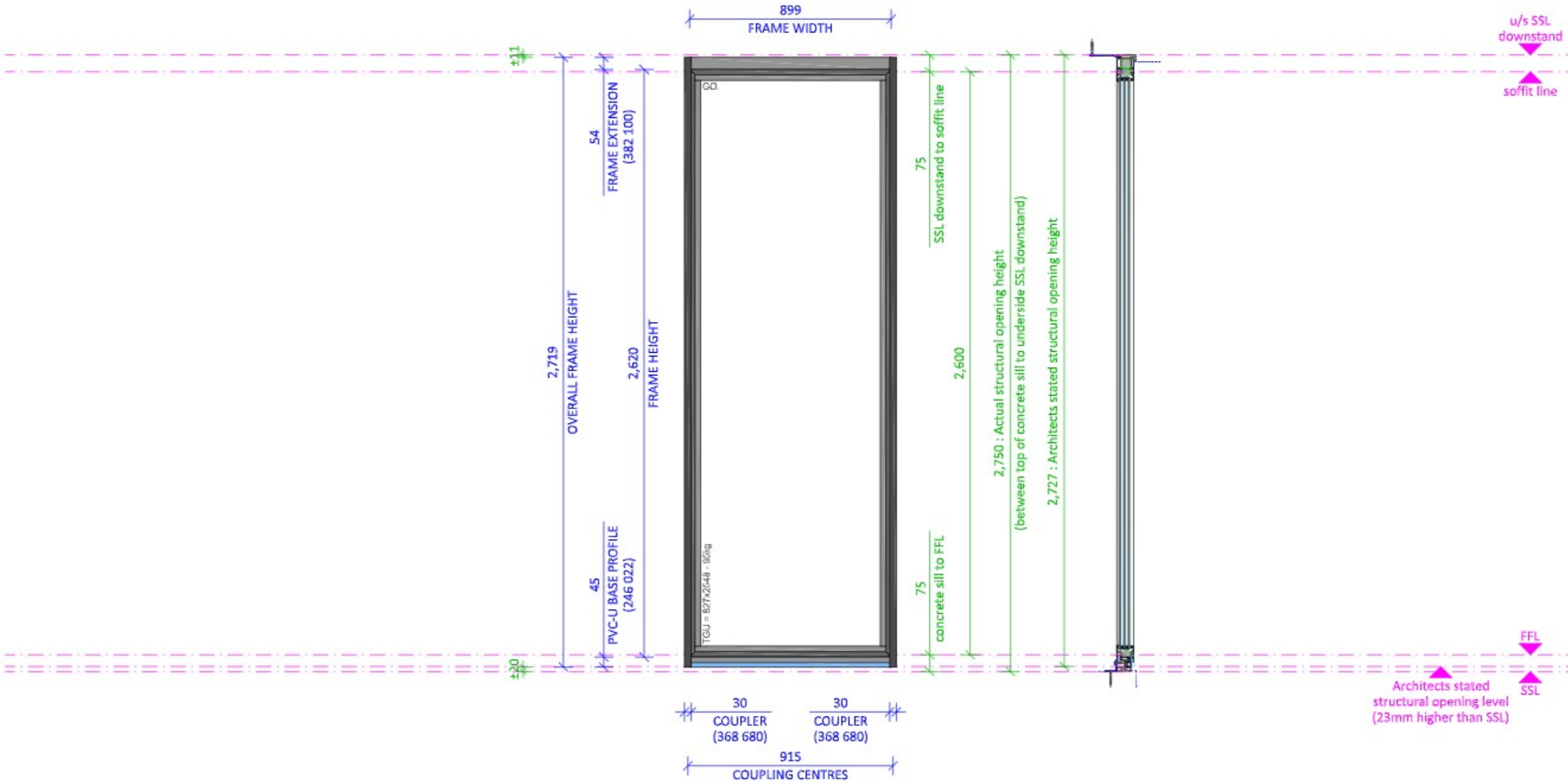
JOB DESCRIPTION
 One St Brelade
 St. Brelade
 Jersey

DRAWING TITLE
 South Elevation Screen Elements:
 Schüco ASE 80.HI (06)
 External Elevation + Sections

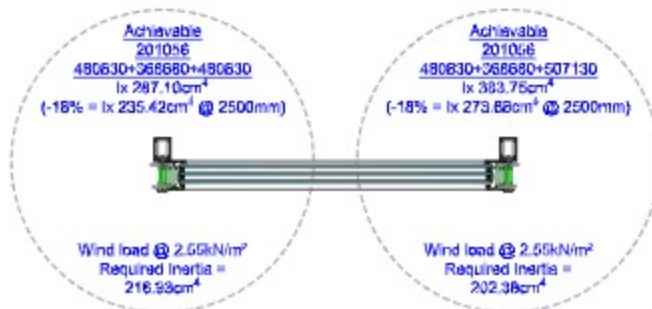
DRAWN BY	KT
DRAWN DATE	06/04/2021
SCALE	1:20 @ A3
DRAWING NUMBER	REVISION
4001-E13	C1

Overall Quantity
 4

Window Type	Reference	Level	Apartment	Location	Details				Handing	
					Head	Sill	LH Jamb	RH Jamb		
10	W10	Grd (00)	09	Bedroom 1	D24	D27	D02	D02	AS DRAWN	
10	W20	1st (01)	06	Bedroom 1	D24	D27	D02	D02	AS DRAWN	
12	W35	2nd (02)	03	Bedroom 1	D24	D27	D02	D02	AS DRAWN	
13	W36	2nd (02)	02	Bedroom 1	D24	D27	D02	D02	AS DRAWN	
14	W47	3rd (03)	01	Bedroom 1	D27	D27	D02	D02	AS DRAWN	
15	W48	3rd (03)	01	Bedroom 2	D27	D27	D02	D02	AS DRAWN	
Quantity									6	



Glazing Specification.01: Solar Control
 47mm Triple Glazed Unit
 Outer - 6mm ExtraClear TSG SunGuard SN 75 HT [R2]
 Cavity - 14.5mm Black Warm Edge spacer [Argon 90%]
 Centre - 6mm ExtraClear Toughened Safety Glass
 Cavity - 14.5mm Black Warm Edge spacer [Argon 90%]
 Inner - 6mm ExtraClear TSG ClimateGuard A 1.1 [R5]
 * Centre pane U-value = 0.6 W/m²K



Overall Quantity
6

SPECIFICATION DETAILS

System: Schüco
 * AWS 75.SI Window system

General Information:
 * 1no. Fixed light
 * Externally glazed (GlazoOut)
 * Concealed drainage
 * Schüco PVC-U Base Profile at sill
 ** Reinforced with Schüco Steel tube
 34x30x2mm (201 033)
 ** Finished with Attachment profile 25 (346 970)
 * Additional profile
 ** Outer frame extension profile 54 (382 100)
 *** 1no. length required at Head
 ** Coupling mullion 15 (368 680)
 ** Retaining profile (224 129)
 ** Cover profile (105 620)
 ** Seal tube 30x50x4 (201 056)
 *** 2no. lengths required to LH+RH Jamb

Components:
 480 630 - Outer frame, outside, 53/24
 391 680 - Glazing Bead 12mm
 244 056 - Gasket cord Ø 2.5mm, EPDM
 264 321 - Glazing robot gasket (Black) [ext.]
 264 835 - Glazing gasket 5-6 (Black) [int.]
 246 022 - PVC-U base profile
 244 612 - EPDM gasket cord, Ø 4.5mm
 201 033 - Steel tube 34x30x2
 346 970 - Well attachment profile 25
 286 251 - Plastic profile retaining clip
 244 511 - Gasket cord
 267 589 - Seal (located at ends)
 382 100 - Outer frame extension profile 54
 368 680 - Coupling mullion 15
 224 129 - Retaining profile
 105 620 - Cover profile
 201 056 - Steel tube 30x50x4

Finish: Special Dual Colour
 * External Anodised = UA Anodok Bronze 547
 * Internal PPC = RAL 9016 (Traffic White)
 ** 80 Microns

Background Ventilation:
 * N/A

Installation:
 * Internally fixed with fixing lugs at head
 * Direct fixed to adjacent framework
 * Internally fixed with bespoke fixing lugs at sill
 ** Aluminium Equal Angle 60x60x3mm
 * Ext/Int continuous EPDM skirt to perimeter
 * Ext/Int mastic with expanding foam (where required)

C1	16/06/21	Raised to 'Construction' status as AXM Status A (28/05/21)
REV.	DATE	DESCRIPTION

DRAWING STATUS
CONSTRUCTION

Style Windows
 Style House
 La Grande Route de St Pierre, St Peter, JE3 7AY
 t: 01534 744281 f: 01534 747276
 www.stylewindows.je

JOB DESCRIPTION
 One St Brelade
 St. Brelade
 Jersey

DRAWING TITLE
 South Elevation Screen Elements:
 Schüco AWS 75.SI+ (06)
 External Elevation + Sections

DRAWN BY	KT
DRAWN DATE	02/04/2021
SCALE	1:20 @ A3
DRAWING NUMBER	4001-E14
REVISION	C1