



CP INTERIORS

Mrs. Julie Guillard

Heston
La Petite Sente
Le Bourg
St Clement
JE2 6SN

Date	Reference	Your Contact
11-03-2024	SO15397Q1	Tamara

Customer Ref.

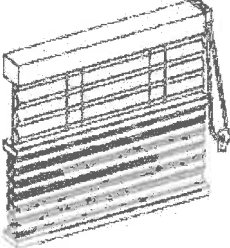
Night and Day Blind Option 2 S-Craft

Quote

Our Price Promise to you

We are so confident our pricing is competitive, that we will beat any written quotation for equivalent product by 5%

Supply & Fit/Supply Only

Location	Description	QTY	Price
Living Room	Duette blind, S-Craft Night and Day, with 45mm Designer Fabric BO C4107 Storm Cloud fabric for the top part, and 45mm C5004 Cloud White Sheer fabric for the bottom part. Manually operated with a cordloop. 	1	£ 399.00

Terms : 50% deposit due with order, 50% on completion

BACS Payment	
Bank:	NatWest
Sort Code:	60 12 03
Account No:	66577772
Carpet Protection (C.I) Ltd T/A CP Interiors	

Phone and Card Payment
Payment can be made in person or by phone. If phone, please call us on 01534 768141 and have your card details ready. Note, we do not accept American Express or Cheque payments.

Subtotal :	£ 399.00
GST :	£ 19.95
Total :	£ 418.95

Please note: This quotation is only valid for acceptance for 14 days. Our estimate does not include any electrical work or additional carpentry work to install the above unless otherwise specified. Please note there is a handling charge on customer own fabric of £7.50 per metre. Due to high costs of labour, pre-arranged missed fitting appointments will be charged on a time-wasted basis. Settlement is due on completion of works and an administration charge of £25 will be added per month if unpaid within 30 days. We reserve the right to charge for design, advice and liaison work carried out should an order not be placed. Goods remain the property of CP Interiors until full settlement is received. Should payment not be received we reserve the right to attend premises during working hours to remove goods and not be required to make good. Our full terms and conditions apply and are available on request.

£209.48

f

SCH241095208 - CP Interiors



Created by	Tamara Lopez-Dominguez		Customer Information		Delivery Information		Order Notes
Group Order No	SC241114521	Title	Mrs	Address Line 1	DSV Road Ltd		
SC Order No	SCH241095208	First Name	Julie	Address Line 2	10 Brunel Way		
Total Shutter SQ/M	0	Last Name	Guillard	Address Line 3	Segensworth Ind Est		
Freight Method	Air	Order Reference	SO15397Q1	Postcode	PO15 5TX		
#1 Category	Honeycomb Blind	Range	Parma	Room	Living Room	Qty	1
Measurements	Width	1720mm	Drop	1370mm	Install Height	2500mm	Method
Controls	Control Type	Cordloop Day & Night	Cord Length	1000mm	Blind Type	Single	Head rail colour
Design	Fabric Material	Designer Fabric (Parma)	Fabric Colour	Storm Cloud (RD)	Default	Equal width	Trade Price
Other	Operating Pole	No	Aluminium Cover	No	Light Guard	No	£221.64
Accessories							
Notes							

Trade Discounted Price

Total Sqm	Total Trade Price	Discount	Delivery	Freight	Sub Total With Discount	VAT (20%)	Total
2.36	£221.64	-£61.87	£0.00	£0.00	£159.77	£0.00	£159.77

SC241114521 - CP Interiors



Created by		Customer Information		Delivery Information		Order Notes	
Tamara Lopez-Dominguez		Mrs Julie Guillard		DSV Road Ltd 10 Brunel Way Segensworth Ind Est PO15 5TX			
Group Order No	SC241114521	Title	Mrs Julie Guillard	Address Line 1	DSV Road Ltd		
SC Order No	N/A	First Name	Julie	Address Line 2	10 Brunel Way		
Total Shutter SQ/M	0	Last Name	Guillard	Address Line 3	Segensworth Ind Est		
Freight Method		Order Reference	SO15339	Postcode	PO15 5TX		
#1 Category	Honeycomb Blind	Room	Living Room	Qty	1	Cell size	45mm
Measurements	Width 1720mm	Drop	1370mm	Install Height	2500mm	Blind Type	Single
Controls	Control Type	Cordloop Day & Night	Cord Length	Method	Storm Cloud (RD)	Head rail colour	Default
Design	Fabric Material	Designer Fabric (Parma)	Fabric Colour			Equal width	Yes
Other	Operating Pole	No	Aluminium Cover	No	Light Guard		
Accessories							
Notes	RB checked.						

Blinds - Parma

Freight Method Sea Air [Hide Breakdown](#)

#	CATEGORY	RANGE	ROOM	WIDTH	HEIGHT	DROP	QTY	SQ. M	STATUS	ACTIONS
1	Honeycomb blinds	Parma	Living Room	1720	0	1370	1	2.36	Details complete	  

Blinds - Parma - Breakdown

#	BASIC PANEL	FABRIC COLOUR	TRADE ITEMS TOTAL	CONTROL TYPE	NON DISCOUNTABLE TOTAL
1	£181.07	£25.17	£206.24	£15.40	£15.40

Trade Discounted Price	
Trade price	£221.64
Discount	-£61.87
Delivery charge	£0.00
Freight	£0.00
Sub total with discount	£159.77
Total	£159.77



CP INTERIORS

CY 107

Storm cloud

R/O

Y5mm

white →

WACE

sheer
cloud white

C5004



CP INTERIORS

Mrs. Julie Guillard

Heston
La Petite Sente
Le Bourg
St Clement
JE2 6SN

Date	Reference	Your Contact
07-02-2024	SO15397Q1	Tamara

Customer Ref.

Night and Day Blind Option 2 S-Craft

Quote

Our Price Promise to you

We are so confident our pricing is competitive, that we will beat any written quotation for equivalent product by 5%

Supply & Fit/Supply Only

Location	Description	QTY	Price
Living Room	Supply & Fit- Duette blind, S-Craft Night and Day, with a 45mm blackout fabric and a 45mm sheer fabric. Manually operated with two smart cords. Price guide based on an Parma Room Darkening and a Parma Sheer fabrics.	1	£ 363.00

Terms : 50% deposit due with order, 50% on completion

BACS Payment	
Bank:	NatWest
Sort Code:	60 12 03
Account No:	66577772
Carpet Protection (C.I) Ltd T/A CP Interiors	

Phone and Card Payment	
Payment can be made in person or by phone.	
If phone, please call us on 01534 768141 and have your card details ready.	
Note, we do not accept American Express or Cheque payments.	

Subtotal :	£ 363.00
GST :	£ 18.15
Total :	£ 381.15

Please note: This quotation is only valid for acceptance for 14 days. Our estimate does not include any electrical work or additional carpentry work to install the above unless otherwise specified. Please note there is a handling charge on customer own fabric of £7.50 per metre. Due to high costs of labour, pre-arranged missed fitting appointments will be charged on a time-wasted basis. Settlement is due on completion of works and an administration charge of £25 will be added per month if unpaid within 30 days. We reserve the right to charge for design, advice and liaison work carried out should an order not be placed. Goods remain the property of CP Interiors until full settlement is received. Should payment not be received we reserve the right to attend premises during working hours to remove goods and not be required to make good. Our full terms and conditions apply and are available on request.

Storm Cloud B/O 45mm C4107
Cloud White Sheer 45mm C5004

MASTERBLINDS

SPECIALIST MANUFACTURERS TO THE TRADE

Quotation

Delivery Method	DATE	NO.
Delivery DX	06-02-2024	ON075499

Master Blinds
 Unit 8, Greenlea Park
 Prince Georges Road
 Merton, SW19 2JD
 Tel : 020 8648 6008 Fax : 020 8640 8044

TO
CP Interiors Rue Des Pres Trading Estate St Saviour Jersey JE2 7QN

Cust. Acc. No.	P.O. No.	TERMS
CP001	Guillard	28th of next month

DESCRIPTION	QTY	RATE	DISCOUNT	AMOUNT
To Supply 1 Cellular - Night & Day - Side Window Blind 1720, 1370 , Recess Size, -,AU30 - Night and Day - SmartCord - Band D, L/H & R/H Control, EOS Spring Clip Top / Face Fix - Silver, Hardware Colour T.B.C.	1	786.00		786.00 <i>£1965</i>

Notes:	
	List Price 786.00
VAT SUMMARY	
	SUB TOTAL 786.00
	VAT TOTAL 0.00
	TOTAL 786.00



CP INTERIORS

Mrs. Julie Guillard

Heston
La Petite Sente
Le Bourg
St Clement
JE2 6SN

Date	Reference	Your Contact
07-02-2024	SO15397Q2	Tamara
Customer Ref.		
Night and Day Blind Option 3 Masterblinds		

Quote

Our Price Promise to you
We are so confident our pricing is competitive, that we will beat any written quotation for equivalent product by 5%

Supply & Fit/Supply Only

Location	Description	QTY	Price
Living Room	Supply & Fit- Duette blind, Masterblinds Night and Day AU30, with a blackout fabric and a sheer fabric. Manually operated with two smart cords. Price guide based on a Band C fabric (Unix RD or Elan RD) and a Batiste Sheer fabric.	1	£ 1,965.00

Terms : 50% deposit due with order, 50% on completion

BACS Payment	
Bank:	NatWest
Sort Code:	60 12 03
Account No:	66577772
Carpet Protection (C.I) Ltd T/A CP Interiors	

Phone and Card Payment
Payment can be made in person or by phone. If phone, please call us on 01534 768141 and have your card details ready. Note, we do not accept American Express or Cheque payments.

Subtotal :	£ 1,965.00
GST :	£ 98.25
Total :	£ 2,063.25

Please note: This quotation is only valid for acceptance for 14 days. Our estimate does not include any electrical work or additional carpentry work to install the above unless otherwise specified. Please note there is a handling charge on customer own fabric of £7.50 per metre. Due to high costs of labour, pre-arranged missed fitting appointments will be charged on a time-wasted basis. Settlement is due on completion of works and an administration charge of £25 will be added per month if unpaid within 30 days. We reserve the right to charge for design, advice and liaison work carried out should an order not be placed. Goods remain the property of CP Interiors until full settlement is received. Should payment not be received we reserve the right to attend premises during working hours to remove goods and not be required to make good. Our full terms and conditions apply and are available on request.



CP INTERIORS

Mrs. Julie Guillard

Heston
La Petite Sente
Le Bourg
St Clement
JE2 6SN

Date	Reference	Your Contact
07-02-2024	SO15397	Tamara
Customer Ref.		
Night and Day Blind Option 1 Luxaflex		

Quote

Our Price Promise to you
We are so confident our pricing is competitive, that we will beat any written quotation for equivalent product by 5%

Supply & Fit/Supply Only

Location	Description	QTY	Price
Living Room	Supply & Fit- Duette blind, Luxaflex Night and Day, with white hardware and Elan Duo Tone RD 32mm 9325 and Batiste Sheer Duo Tone 32mm 9230 fabrics. Manually operated with two smart cords.	1	£ 2,010.00

Terms : 50% deposit due with order, 50% on completion

BACS Payment	
Bank:	NatWest
Sort Code:	60 12 03
Account No:	66577772
Carpet Protection (C.I) Ltd T/A CP Interiors	

Phone and Card Payment
Payment can be made in person or by phone. If phone, please call us on 01534 768141 and have your card details ready. Note, we do not accept American Express or Cheque payments.

Subtotal :	£ 2,010.00
GST :	£ 100.50
Total :	£ 2,110.50

Please note: This quotation is only valid for acceptance for 14 days. Our estimate does not include any electrical work or additional carpentry work to install the above unless otherwise specified. Please note there is a handling charge on customer own fabric of £7.50 per metre. Due to high costs of labour, pre-arranged missed fitting appointments will be charged on a time-wasted basis. Settlement is due on completion of works and an administration charge of £25 will be added per month if unpaid within 30 days. We reserve the right to charge for design, advice and liaison work carried out should an order not be placed. Goods remain the property of CP Interiors until full settlement is received. Should payment not be received we reserve the right to attend premises during working hours to remove goods and not be required to make good. Our full terms and conditions apply and are available on request.



C P Interiors (Jersey)
Address

Email

Telephone

1 **Quote**
(New)

2 Sales Order

3 Purchase Order

4 Confirmed

SQ24.000023

Reference 1

SO15339 Guillard

Status

New

Reference 2

Created by

(accounts@cpinteriors.je)

Sales Notes



Date Created

29/1/2024

Customer

Supplier Instruction

Valid Until Date

Lines

Article/Product ID/ Description	Reference	Status	Price variables	Price calculations	Price incl. VAT
1032-1027 1 Luxaflex Duette 2022		New	Quantity 1 Price Per Unit £1,403.33 VAT High 20%	Price exc. VAT £1,403.33 VAT £280.67	£1,684.00

Summary (Prices excl. VAT)

$-42.7\% \times 2.5 = \pounds 2010$

Models and shapes

Mounting 1 FreeHanging
ModelShapeID 30 2Fabrics
OperationType 0 SmartCord®
ModelSelection 1300

£60.00

Dimensions

Models AU30-2
WindowShape M
BlindShape M
Width (B) 1720
Drop (D) 1370
SizeType Recess size

Collection

Product type Duette
Colours1 9325 Elan Duo Tone RD 32 mm
Colours2 9230 Batiste Sheer Duo Tone 32 mm



CP INTERIORS

Julie Guillard
 Heston
 La Petite Sente
 Le Bourg
 St Clement
 JE2 6SN

Date	Reference	Your Contact
29-01-2024	SO15339	Tamara
Customer Ref.		
Option 1 Luxaflex		

Quote

Our Price Promise to you
 We are so confident our pricing is competitive, that we will beat any written quotation for equivalent product by 5%

Supply & Fit/Supply Only

Location	Description	QTY	Price
Living Room	Supply & Fit- Duette blind, Luxaflex Night and Day, with 64mm 32mm blackout fabric and a 64mm sheer fabric. Manually operated with two smart cords.	1	£ 2,010.00
Master Ensuite	Supply & Fit- Wooden Venetian blind, with 50mm Impressions Faux Wood in Calico slats, with matching headrail and pelmet. Manually operated with standard controls	1	£ 133.00
Sophie's Room	Supply & Fit- Roller blind, in a Band B blackout fabric of your choice. Manually operated with a right hand side silver chain.	1	£ 160.00

Price guide based on an Elan Duo Tone Room Darkening 64mm and a Batiste Sheer Duo Tone 64mm fabrics.

*white hardware. 9325 Elan Bb
32mm. 9230 Batiste Sheer*

Terms : 50% deposit due with order, 50% on completion

BACS Payment	
Bank:	NatWest
Sort Code:	60 12 03
Account No:	66577772
Carpet Protection (C.I) Ltd T/A CP Interiors	

Phone and Card Payment
Payment can be made in person or by phone.
If phone, please call us on 01534 768141 and have your card details ready.
Note, we do not accept American Express or Cheque payments.

Subtotal :	£ 2,303.00
GST :	£ 115.15
Total :	£ 2,418.15

Please note: This quotation is only valid for acceptance for 14 days. Our estimate does not include any electrical work or additional carpentry work to install the above unless otherwise specified. Please note there is a handling charge on customer own fabric of £7.50 per metre. Due to high costs of labour, pre-arranged missed fitting appointments will be charged on a time-wasted basis. Settlement is due on completion of works and an administration charge of £25 will be added per month if unpaid within 30 days. We reserve the right to charge for design, advice and liaison work carried out should an order not be placed. Goods remain the property of CP Interiors until full settlement is received. Should payment not be received we reserve the right to attend premises during working hours to remove goods and not be required to make good. Our full terms and conditions apply and are available on request.

Blinds - Parma

Freight Method

Sea

Air

Hide Breakdown

#	CATEGORY	RANGE	ROOM	WIDTH	HEIGHT	DROP	QTY	SO. M	STATUS	ACTIONS
1	Honeycomb blinds	Parma	Living Room	1720	0	1370	1	2.36	Details complete	 

Blinds - Parma - Breakdown

#	BASIC PANEL	FABRIC COLOUR	TRADE ITEMS TOTAL	CONTROL TYPE	NON DISCOUNTABLE TOTAL
1	£164.61	£22.88	£187.49	£14.00	£14.00

Trade Discounted Price	
Trade price	£201.49
Discount	-£56.25
Delivery charge	£0.00
Freight	£0.00
Sub total with discount	£145.24
Total	£145.24

f 363