



Delivered by DSV Road Limited



SO1CI-BWU75

Deliver
CP INTERIORS
RUE DES PRESS TRADING EST
JE2 7QPST SAVIOUR
JERSEY

Contact charmain wilding
Phone +44 (0) 1255 242242

Phone +441534768141
Delv. --
Delv. Time
Ref 8052/24-17-1

Shipper
WEINOR
73 CORNHILL ROAD
LONDON
EC3V 3QQ

DELIVERY ADVICE

Consignee
CP INTERIORS
RUE DES PRESS TRADING EST
JE2 7QPST SAVIOUR
JERSEY

Date 2024-03-06
Reference SOJE33-0531 SO1CI-BWU75
Terms FREE ON BOARD
F.O.B.
JERSEY
Originating member EBOO

Coll. 2024-03-07/08:00-16:00
Unit.no DSV2011

Haulier TBA - UPDATE WITH CORRECT HAULIER
Reg.no. DSV2011

RECEIVED

08 MAR

SCANNED

White 1x Box

Key 5015272 2x Box

Drew 503574 1x Box

Relish 501744 1x Box

DELIVERY ADVICE

Arrived 8-3-24

All business is transacted according to trading conditions that exclude or limit the liability of the company in certain circumstances. A copy of the relevant set of conditions will be supplied upon request.

5 x Boxes

Marks & Nos	No.of	Pkg.	Contents	Weight	KG	Volume
	5	CLL	AWNINGS/PARTS	GW	155	1.473 CBM
				NW	155	
				EW	490	

DSV-EURPLL _____ pcs. RETURN TO DSV

ASSOCIATED FREIGHT SERVICES LTD **AFS**

I N T E R N A T I O N A L F R E I G H T F O R W A R D E R S
BWU75

DELIVERY ADDRESS

CP INTERIORS C/O DSV ROAD LIMITED
10 BRUNEL WAY
SEGENSWORTH INDUSTRIAL ESTATE
FAREHAM, PO15 5TX
United Kingdom

Our reference 8052/24-17-1
Your reference 202815074
Date 28/02/2024

DELIVERY NOTE

SHIPPER:

WEINOR LIMITED
73 CORNHILL
LONDON
EC3 3QQ
United Kingdom

Special Instructions: GOODS IN UK FREE CIRCULATION

Terms of Shipment:

Number of Packages: 4 CARTONS 660

Gross Weight: 150.000

Description of Goods: AWNINGS/PARTS

202815074
202812910
202816480

RECIEVED:

DATE:

SIGNED:

PRINT:

ALLETS/CARTONS RECIEVED IN GOOD CONDITION

Subject to our terms and conditions, no claims for damages or shortages will be accepted unless made in writing within 7 days of delivery.

Unit 3E, Falcon Way off Central Way, Feltham, Middlesex TW14 0UQ

Tel: 020 8890 1066 - Fax: 020 8890 3398 - Email: info@afs-lon.co.uk - www.associatedfreight.co.uk

Registered office: Plaza Building, Lee High Road, London SE13 5PT - Registered in England No 2685525 - VAT No 584 4555 09

All goods are carried out in accordance with the latest standard trading conditions of BIFA



BRITISH INTERNATIONAL
FREIGHT ASSOCIATION



weinor Ltd 73 Cornhill EC3V 3QQ London

C P Interiors**Rue Des Pres Trading Estate****GB-JE2 7QN St Saviour Jersey**

202815074

phone number: 0044-1534-768141
 customer: 165708
 representat: 654 Chris Spickett
 tel (representat.): 0044 (0) 7894443907

delivery note**223371281**

Date of Print:

23.02.2024

delivery address

DSV Road Ltd

(NO UPS)

10 Brunel Way, Segensworth Industrial Estate

GB-PO15 5TX Hampshire, Fareham

Großbritannien

NO UPS

sales order no.:

202815074

order date:

07.02.2024

reference;

KAY SO15272

Your order no.:

pos quantity article code

1 1 2645 Set of spares for WGM

Anticipated delivery : 04.03.2024

Number of packages : 1

Weight [kg] : 10 kg

Maximum package weight : 10 kg

2 2 109087-0003 Side channel, Quick cons. awning colour:9016 / length:500cm

Anticipated delivery : 04.03.2024

customer route : 430 UK export

Trimming length, profile (mm) : 4659 mm

sales unit : Piece

3 2 109088-0003 Coupling profile, quick-fit cons. awning colour:9016 / length:500cm

Anticipated delivery : 04.03.2024

customer route : 430 UK export

Trimming length, profile (mm) : 4659 mm

sales unit : Piece

weinor Ltd
 73 Cornhill
 GB-EC3V 3QQ London
 weinor.com

Managing Director
 Tim Fuldner
 General partner
 Weinor Beteiligungs-GmbH
 Kpsn

VAT no.: 335 2381 16
 Company no.: 12193066
 UTR no.: 33431 24084
 EORI no.: GB335238116000

Domestic transfers:
 Commerzbank London
 Sort Code: 405201
 Account Number: 307 537 10

International transfers:
 Commerzbank London
 IBAN: GB51 0831 0000 0000 0000 0000
 Swift: MIDLGB22 #/c COBAGR2X



weinor Ltd 73 Cornhill EC3V 3QQ London

pos quantity article code

mode of dispatch UK export

date signature

delivery exw Cologne

weight 40 kg

package 2 Stk.

weinor Ltd
73 Cornhill
GB-EC3V 3QQ London
weinor.com

Managing Director
Tina Földner
General partner
Weinor Intelligences GmbH
Köln

VAT no. 335 238116
Company no.: 12193066
UTR no. 33431 24084
FORI no. GB335238116000

Domestic transfers:
Commerzbank London
Sort Code: 406201
Account Number: 307 537 10

International transfers:
Commerzbank London
IBAN: GB51 0830 4062 0130 7537 10
Swift: MIDLG822 a/c COBAG92X

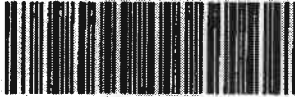


weinor Ltd 73 Cornhill EC3V 3QQ London

C P Interiors

Rue Des Pres Trading Estate

GB-JE2 7QN St Saviour Jersey



202815074

phone number: 0044-1534-768141
 customer: 165708
 representat. 654 Chris Spickett
 tel (representat.): 0044 (0) 7894443907

delivery note

223371281

Date of Print:

23.02.2024

delivery address

DSV Road Ltd

(NO UPS)

10 Brunel Way, Segensworth Industrial Estate

GB-PO15 5TX Hampshire, Fareham

Großbritannien

NO UPS

sales order no.:

202815074

order date:

07.02.2024

reference;

KAY SO15272

Your order no.:

pos quantity article code

1 1 2645 Set of spares for WGM

Anticipated delivery : 04.03.2024

Number of packages : 1

Weight [kg] : 10 kg

Maximum package weight : 10 kg

2 2 109087-0003 Side channel, Quick cons. awning colour:9016 / length:500cm

Anticipated delivery : 04.03.2024

customer route : 430 UK export

Trimming length, profile (mm) : 4659 mm

sales unit : Piece

3 2 109088-0003 Coupling profile, quick-fit cons. awning colour:9016 / length:500cm

Anticipated delivery : 04.03.2024

customer route : 430 UK export

Trimming length, profile (mm) : 4659 mm

sales unit : Piece

weinor Ltd
 73 Cornhill
 GB-EC3V 3QQ London
 weinor.com

Managing Director
 Tim Földner
 General partner
 Weinor Beteiligungs-GmbH
 Ke'n

VAT no.: 335 2381 16
 Company no.: 12193066
 UTR no.: 33431 24084
 EORI no.: GB335238116000

Domestic transfers:
 Commerzbank London
 Sort Code: 406201
 Account Number: 307 537 70

International transfers:
 Commerzbank London
 IBAN: GB51 0831 0000 0000 0000 0000
 Swift: MIDLGB22 a/c COBAG02X



weinor Ltd 73 Cornhill EC3V 3QQ London

pos quantity article code

mode of dispatch UK export

date signature

delivery exw Cologne

weight 40 kg

package 2 Stk.

weinor Ltd
73 Cornhill
GB-EC3V 3QQ London
weinor.com

Managing Director
Tim Fuldner
General partner
Weinor Beteiligungs-GmbH
Köln

VAT no: 335 2381 16
Company no: 12193066
UTR no: 33431 24044
EORI no: GB335238116000

Domestic transfers:
Commerzbank London
Sort Code 406201
Account Number 307 537 10

International transfers:
Commerzbank London
IBAN: GB51 0904 4062 0130 7537 10
Swift: MIDLGB22 a/c COBAGB2X



weinor Ltd 73 Cornhill EC3V 3QQ London

C P Interiors

Rue Des Pres Trading Estate

GB-JE2 7QN St Saviour Jersey



202812910

delivery note

223371275

Date of Print:

23.02.2024

delivery address

DSV Road Ltd

(NO UPS)

10 Brunel Way, Segensworth Industrial Estate

GB-PO15 5TX Hampshire, Fareham

Großbritannien

NO UPS

phone number: 0044-1534-768141
 customer: 165708
 representat. 654 Chris Spickett
 tel (representat.): 0044 (0) 7894443907

sales order no.: 202812910
 order date: 29.01.2024
 reference: White
 Your order no.: SO15223

pos quantity article code

1 1 1883 Opal Design II

Anticipated delivery : 04.03.2024
 Number of packages : 1
 weight : 109,14 kg
 Maximum package weight : 109,14 kg
 External dimensions : 600X300

2 1 2557 BiConnect

Anticipated delivery : 04.03.2024
 Number of packages : 0

The BiConnect has been packed with pos 202812910/11



weinor Ltd 73 Cornhill EC3V3QQ London

pos quantity article code

mode of dispatch UK export

date signature

delivery exw Cologne

weight 109,14 kg

package 1 Stk.

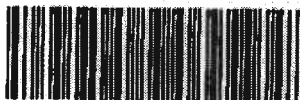
weinor Ltd
73 Cornhill
GB-EC3V3QQ London
weinor.com

Managing Director
Tim Fuldner
General Partner
Weinor Beteiligungs-GmbH
Keln

VAT no.: 335 238116
Company no.: 12193065
UTR no.: 3342124854
EORI no.: GB335238116000

Domestic transfers:
Commerzbank London
Sort Code 406201
Account Number 307 537 10

International transfers:
Commerzbank London
IBAN: GB51 0000 0000 0000 0000 0000
Swift: MIDLGB22 aka COBAGE2X

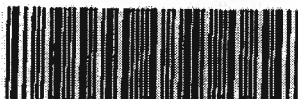


weinor Ltd 73 Cornhill EC3V3DD London

C P Interiors

Rue Des Pres Trading Estate

GB-JE2 7QN St Saviour Jersey



202812910

delivery note

223371275

Date of Print:

23.02.2024

delivery address

DSV Road Ltd
(NO UPS)
10 Brunel Way, Segensworth Industrial Estate
GB-PO15 5TX Hampshire, Fareham

Großbritannien

NO UPS

phone number: 0044-1534-768141
customer: 165708
representat. 654 Chris Spickett
tel (representat.): 0044 (0) 7894443907

sales order no.: 202812910
order date: 29.01.2024
reference: White
Your order no.: SO15223

pos quantity article code

1 1 1883 Opal Design II

Anticipated delivery : 04.03.2024
Number of packages : 1
weight : 109,14 kg
Maximum package weight : 109,14 kg
External dimensions : 600X300

2 1 2557 BiConnect

Anticipated delivery : 04.03.2024
Number of packages : 0

The BiConnect has been packed with pos 202812910/1!



weinor Ltd 73 Cornhill EC3V 3QQ London

pos quantity article code

mode of dispatch UK export

date signature

delivery exw Cologne

weight 109,14 kg

package 1 Stk.

weinor Ltd
73 Cornhill
GB-EC3V 3QQ London
weinor.com

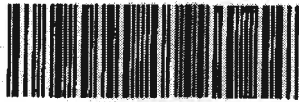
Managing Director
Tim Fullmer
General partner
Weinor Beteiligungs GmbH
Köln

VAT no.: 335 238116
Company no.: 12193066
UTR no.: 33431 24084
ECRI no.: GB335238116000

Domestic transfers:
Commerzbank London
Sort Code 406201
Account Number: 307 537 10
International transfers:
Commerzbank London
IBAN: GB51 0834 4062 0130 7537 10
Swift: MIDLGB22 atf COBAG2X



weinor Ltd 73 Cornhill EC3V 3JQ London

C P Interiors**Rue Des Pres Trading Estate****GB-JE2 7QN St Saviour Jersey**

202816480

phone number: 0044-1534-768141
 customer: 165708
 representat. 654 Chris Spickett
 tel (representat.): 0044 (0) 7894443907

delivery note 223371308

Date of Print: 23.02.2024

delivery address

DSV Road Ltd
 (NO UPS)
 10 Brunel Way, Segensworth Industrial Estate
 GB-PO15 5TX Hampshire, Fareham

Großbritannien

NO UPS

sales order no.: 202816480
 order date: 16.02.2024
 reference; S03574 Drew
 Your order no.:

pos	quantity	article code
-----	----------	--------------

2	6	124537-0000 LED Spot SuperSeal V2 komplett
---	---	--

Anticipated delivery	: 04.03.2024	
customer route	: 430	UK export
sales unit	: Piece	

3	1	114930-0000 Mitnehmer Somfy f. Optinut d80x1,25
---	---	---

Anticipated delivery	: 04.03.2024	
customer route	: 430	UK export
sales unit	: Piece	

4	1	117422-0000 Motoradapter für Somfy Orea RH 70x70
---	---	--

Anticipated delivery	: 04.03.2024	
customer route	: 430	UK export
sales unit	: Piece	

weinor Ltd
 73 Cornhill
 GB-EC3V 3JQ London
 weinor.com

Managing Director
 Tim Fudiner
 General partner
 Weinor Beteiligungs-GmbH
 Köln

VAT no: 335 238116
 Company no: 12193066
 UTR no: 33431 24024
 ECRI no: GB335238116000

Domestic transfers:
 Commerzbank London
 Sort Code 406201
 Account Number 30753710

International transfers:
 Commerzbank London
 IBAN: GB51 0054 4062 0130 7537 10
 Swift: MIDUGB22 67 COBAGB2X



weinor Ltd 73 Cornhill EC3V 3QQ London

pos quantity article code

mode of dispatch UK export

date signature

delivery exw Cologne

weight 1 kg

package 1 Stk.

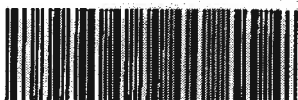
weinor Ltd
73 Cornhill
GB-EC3V 3QQ London
weinor.com

Managing Director
Tim Fuldner
General partner
Weinor Beteiligungs-GmbH
K&S

VAT no.: 335 238116
Company no.: 12193066
UFR no.: 3343174084
ECRI no.: GB315238116000

Domestic transfers:
Commerzbank London
Sort Code: 406201
Account Number: 307 537 10

International transfers:
Commerzbank London
IBAN: GB51 0804 0002 0130 7537 10
Swift: MIDLGB22 a/c COBAGR2X



weinor Ltd 73 Cornhill EC3V 3QQ London

delivery note 223371308

Date of Print: 23.02.2024

delivery address

DSV Road Ltd
(NO UPS)
10 Brunel Way, Segensworth Industrial Estate
GB-PO15 5TX Hampshire, Fareham

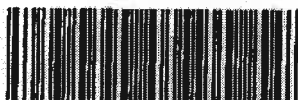
Großbritannien

NO UPS

C P Interiors

Rue Des Pres Trading Estate

GB-JE2 7QN St Saviour Jersey



202816480

phone number: 0044-1534-768141
customer: 165708
representat: 654 Chris Spickett
tel (representat.): 0044 (0) 7894443907

sales order no.: 202816480
order date: 16.02.2024
reference: SO3574 Drew
Your order no.:

pos	quantity	article code	
2	6	124537-0000 LED Spot SuperSeal V2 komplett	
		Anticipated delivery	: 04.03.2024
		customer route	: 430 UK export
		sales unit	: Piece
3	1	114930-0000 Mitnehmer Somfy f. Optinut d80x1,25	
		Anticipated delivery	: 04.03.2024
		customer route	: 430 UK export
		sales unit	: Piece
4	1	117422-0000 Motoradapter für Somfy Orea RH 70x70	
		Anticipated delivery	: 04.03.2024
		customer route	: 430 UK export
		sales unit	: Piece

weinor Ltd
73 Cornhill
GB-EC3V 3QQ London
weinor.com

Managing Director,
Tim Földner
General partner
Weinor Beteiligungs-GmbH
Köln

VAT no.: 395 2361 16
Company no: 12193166
UTR no.: 3343124084
EDR no.: GB3523816000

Domestic transfers:
Commerzbank London
Sort Code 406201
Account Number 307 537 10

International transfers:
Commerzbank London
IBAN: GB51 0000 0000 0000 0000 0000
Swift: MIDLGB22 aka COBAGB2X

2023/02/23 10:28:00



weinor Ltd 73 Cornhill EC3V 3QQ London

pos quantity article code

mode of dispatch UK export

date signature

delivery exw Cologne

weight 1 kg

package 1 Stk.

weinor Ltd
73 Cornhill
GB-EC3V 3QQ London
weinor.com

Managing Director
Tim Fyldner
General partner
Weinor Beteiligungs-GmbH
Köln

VAT no.: 335 238116
Company no.: 12193066
UTR no.: 33431 24084
EORI no.: GB435238116000

Domestic transfers:
Commerzbank London
Sort Code: 406201
Account Number: 307 537 10

International transfers:
Commerzbank London
IBAN: GB51 0804 0002 0130 7537 10
Swift: MID1GB22 a/c COBAGB2X

ASSOCIATED FREIGHT SERVICES LTD **AFS**

I N T E R N A T I O N A L F R E I G H T F O R W A R D E R S

DELIVERY ADDRESS

CP INTERIORS C/O DSV ROAD LIMITED
10 BRUNEL WAY
SEGENSWORTH INDUSTRIAL ESTATE
FAREHAM, PO15 5TX
United Kingdom

Our reference 8078/24-12-1
Your reference 202817346
Date 04/03/2024

DELIVERY NOTE

SHIPPER:

WEINOR LIMITED
73 CORNHILL
LONDON
EC3 3QQ
United Kingdom

Special Instructions: **GOODS IN UK FREE CIRCULATION**

Terms of Shipment:

Number of Packages: **1 CARTONS 580**

Gross Weight: **5.000**

Description of Goods: **AWNINGS/PARTS**
202817346

RECEIVED:

DATE:

SIGNED:

PRINT:

PALLETS/CARTONS RECIEVED IN GOOD CONDITION

Subject to our terms and conditions, no claims for damages or shortages will be accepted unless made in writing within 7 days of delivery.

Unit 3E, Falcon Way off Central Way, Feltham, Middlesex TW14 0UQ

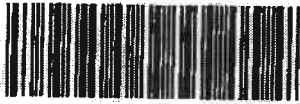
Tel: 020 8890 1066 - Fax: 020 8890 3398 - Email: info@afs-lon.co.uk - www.associatedfreight.co.uk

Registered office: Plaza Building, Lee High Road, London SE13 5PT - Registered in England No 2685525 - VAT No 584 4555 09

All goods are carried out in accordance with the latest standard trading conditions of BIFA



BRITISH INTERNATIONAL
FREIGHT ASSOCIATION



weinor ltd 73 Cornhill EC3V 3QQ London

C P Interiors

Rue Des Pres Trading Estate

GB-JE2 7QN St Saviour Jersey



202817346

delivery note

223372718

Date of Print:

28.02.2024

delivery address

DSV Road Ltd

(NO UPS)

10 Brunel Way, Segensworth Industrial Estate

GB-PO15 5TX Hampshire, Fareham

Großbritannien

NO UPS

sales order no.:

202817346

order date:

22.02.2024

reference;

to Relish SO1744/201922684

Your order no.:

pos quantity article code

1 1 4100 Replacement motor for terrace awnings

expected delivery date : 11.03.2024
 Number of packages : 1
 weight (kg) : 5 (kg)
 Maximum package weight : 5 (kg)

mode of dispatch UK export

date signature

delivery exw Cologne
 weight 5 kg
 package 1 Stk.

weinor ltd
 73 Cornhill
 GB EC3V 3QQ London
 weinor GmbH

Managing Director
 Tim Faldner
 General partner
 Weinor Beteiligungs-GmbH
 Köln

VAT no. 335 238116
 Company no. 12193066
 UTR no. 3243124084
 EORI no. GB375238116000

Domestic transfers:
 Commerzbank London
 Sort Code: 406201
 Account Number: 30753710

International transfers:
 Commerzbank London
 IBAN: GB51 0830 4062 0130 7537 10
 Swift: MIDI GB22 a/c COBAGE2X



weinor Ltd 73 Cornhill EC3V 3QQ London

C P Interiors

Rue Des Pres Trading Estate

GB-JE2 7QN St Saviour Jersey



202817346

delivery note

223372718

Date of Print:

28.02.2024

delivery address

DSV Road Ltd

(NO UPS)

10 Brunel Way, Segensworth Industrial Estate

GB-PO15 5TX Hampshire, Fareham

Großbritannien

NO UPS

phone number: 0044-1534-768141
 customer: 165708
 representat. 654 Chris Spickett
 tel (representat.): 0044 (0) 7894443907

sales order no.: 202817346
 order date: 22.02.2024
 reference; to Relish SO1744/201922684
 Your order no.:

pos	quantity	article code	
1	1	4100	Replacement motor for terrace awnings

expected delivery date : 11.03.2024
 Number of packages : 1
 weight (kg) : 5 (kg)
 Maximum package weight : 5 (kg)

mode of dispatch UK export

date signature

delivery exw Cologne
 weight 5 kg
 package 1 Stk.

weinor Ltd
 73 Cornhill
 GB-EC3V 3QQ London
 weinor.com

Managing Director
 Tim Egidner
 General partner
 Weinor Beteiligungs-GmbH
 Köln

VAT no : 335 238116
 Company no : 12193666
 UTR no : 3348124084
 EORI no : GB335238116000

Domestic transfers:
 Commerzbank London
 Sort Code 406201
 Account Number 30753710
International transfers:
 Commerzbank London
 IBAN GB51008440020130753710
 Swift MIDLGB2244CORAG22X

weinor Ltd 73 Cornhill EC3V 3QQ London

C P Interiors

**Rue Des Pres Trading Estate
GB-JE2 7QN St Saviour Jersey**

delivery address

DSV Road Ltd
(NO UPS)
10 Brunel Way, Segensworth Industrial Estate
Hampshire, Fareham

offer (release 2)

sale offer 151186942
customer: 165708
offer date 21.02.2024
reference: to Relish SO1744/201922684
contact person: William Abbott
E-Mail WAbbott@weinor.de
phone number: +49-221-59709-472
representat. 654 Chris Spickett
tel (representat.): 0044 (0) 7894443907

SO15427
Amelle

quantity article code

Dear sir or madam,

we are pleased to send you this offer.

Thank you for your query. We would like to offer following items, according to our general conditions of delivery and payment and subject to a concrete assessment of the technical feasibility.

Please be advised that this quote is based on a rough planning.

For the final order an exact site measuring with a detailed planning will be necessary. Therefore dimensions and prices may vary slightly.

We hope we have been of help with this offer and are pleased to issue the order. Please feel free to contact us at the telephone number below if you have any question.

Kind regards
i.A. William Abbott

1 1,00 4100 Replacement motor for terrace awnings

Data of previous unit

width [cm] : 550 cm

Projection [cm] : 250 cm

Sale order for awning : 201922684 vom 22.07.2014 00:00:00 /
Kommission Relish
SO1744

Position of sale order for awning : 1 1400 Topas ohne Dach

Product in sales order : Topas without hood

weinor Ltd
73 Cornhill
GB-EC3V 3QQ London
weinor.com

Managing Director:
Tim Földner
General partner:
Weinor Beteiligungs-GmbH
Köln

VAT no.: 335 2381 16
Company no.: 12193066
UTR no.: 33431 24084
EORI no.: GB335238116000

Domestic transfers:
Commerzbank London
Sort Code: 406201
Account Number: 307 537 10

International transfers:
Commerzbank London
IBAN: GB51 COBA 4062 0130 7537 10
Swift: MIDLGB22 a/c COBAGB2X

weinor Ltd 73 Cornhill EC3V 3QQ London

customer: 165708

sale offer 151186942

Page 2 of 2

pos	quantity	article code		
basic data				
		type of control awning	: engine	
		Side of control (seen from the front)	: 0	
		colour: plastic consumables	: black	
		Type of engine awning	: 118831-0000	Motor Sfy Orion LT60 40/17 f.78er Welle - ohne Kabel 273,00
		lead cable	: 100637-0000	Kabel 4G0.75 L3000 OE/Hipro 13,00
		motor lager with adapter	: 106818-0000	Motoradapter für Somfy kompl., Opal 28,00
		length of handle	: 0	0
		Hirschmann plug?	: Hirschmann plug not assembled	14,00
		Cardboard container	: edges reinforcement	

value of goods	discount amount / %	net	VAT (0 %)	Total GBP
328,00	131,20 / 40,00	196,80	0,00	196,80
value of goods	discount amount	net	VAT (0 %)	Total GBP
328,00	131,20	196,80	0,00	196,80

Parts (£393.60)

In addition, our General Terms of Delivery and Payment as per 12/2021, published under the link provided below are valid and we are happy to provide you with them free of charge upon request.

<https://www.weinor.com/terms-and-conditions/>

This offer is valid until 29.02.2024

delivery exw Cologne
 payment: Direct debit / 3 days - 4% cash discount
 mode of dispatch UK export

LABOUR

APPROX

1 HQ

= £462.60

£69.00

weinor Ltd
 73 Cornhill
 GB-EC3V 3QQ London
 weinor.com

Managing Director:
 Tim Földner
 General partner:
 Weinor Beteiligungs-GmbH
 Köln

VAT no.: 335 2381 16
 Company no.: 12193066
 UTR no.: 33431 24084
 EORI no.: GB335238116000

Domestic transfers:
 Commerzbank London
 Sort Code: 406201
 Account Number: 307 537 10
International transfers:
 Commerzbank London
 IBAN: GB51 COBA 4062 0130 7537 10
 Swift: MDLGB22 a/c COBAGB2X

weinor Ltd 73 Cornhill EC3V 3QQ London

C P Interiors

**Rue Des Pres Trading Estate
GB-JE2 7QN St Saviour Jersey**

delivery address

DSV Road Ltd
(NO UPS)
10 Brunel Way, Segensworth Industrial Estate
GB-PO15 5TX Hampshire, Fareham
NO UPS

ORDER CONFIRMATION (release 2)

sales order no.: 202815074 of 07.02.2024
customer: 165708
reference: KAY SO15272
Your order no.:
contact person: William Abbott
E-Mail: WAbbott@weinor.de
phone number: +49-221-59709-472
representat. 654 Chris Spickett
tel (representat.): 0044 (0) 7894443907

pos	quantity	article code
-----	----------	--------------

Dear Customer,

We herewith confirm your order based on the dimensions specified by you.

IMPORTANT: With immediate effect, you can technically release your orders from the weinor E-shop yourself and will be provided with a delivery date immediately. Moreover, it is possible to stop orders in the weinor E-shop independently up to a specific production point.

Trust in fast and safe in the future: Orders possible via the weinor E-shop are processed faster. Additionally, errors are virtually ruled out. The system instantly checks and confirms your configuration for technical feasibility.

Please observe that we can only name a likely delivery date after your final release. Each change requires re-engineering, thus extending the delivery period.

Please also take into account that changes to an order after release cause costs which we may have to pass on to you.

Please send the release to our telefax no.: +49 221 59709-83602 or by E-mail:
freigabe@weinor.de

Many thanks!

weinor Ltd 73 Cornhill EC3V 3QQ London

customer: 165708 sales order 202815074

Page 2 of 4

pos quantity article code

Your APPROVAL:
 (Signature) (Date)

1 1,00 2645 Set of spares for WGM

Data of previous unit

Number of panels : 3
 Type conservatory awning : for WGM 2010 2020 2030
 Product in sales order : WGM 2030, flat unit
 Distance centre to centre field 1 : 420 cm
 Distance centre to centre field 2 : 420 cm
 Distance centre to centre field 3 : 420 cm
 distance centre to centre total : 1260 cm
 width of cassette total : 1269 cm
 projection WGM [cm] : 490 cm
 Base colour : RAL 9016 white

Data of set of spares for WGM

Number of set of rollers, (recommended 1 per field!) : 3 Piece 204,00
 Polyester cord compl., with shim +cable tie : Polyester cord, 5mm grey compl., with shim +cable tie 202,50
 Quantity polyester cord : 6 x Polyester cord
 length of rope field 1 [mm] : 13390
 length of rope field 2 [mm] : 13390
 length of rope field 3 [mm] : 13390
 Carriage, cons. awning compl. (left and right) : Carriage, W21+22, compl. 272,40
 Distance bar bracket, double : Distanzrohrhalter WGM 2010 Kopplung kpl. 176,10

value of goods	discount amount / %	net
855,00	342,00 / 40,00	513,00

weinor Ltd
 73 Cornhill
 GB-EC3V 3QQ London
 weinor.com

Managing Director:
 Tim Földner
 General partner:
 Weinor Beteiligungs-GmbH
 Köln

VAT no.: 335 2381 16
 Company no.: 12193066
 UTR no.: 33431 24084
 EORI no.: GB335238116000

Domestic transfers:
 Commerzbank London
 Sort Code: 406201
 Account Number: 307 537 10

International transfers:
 Commerzbank London
 IBAN: GB51 COBA 4062 0130 7537 10
 Swift: MIDLGB22 a/c COBAGB2X

weinor Ltd 73 Cornhill EC3V 3QQ London

customer: 165708 sales order 202815074

Page 3 of 4

pos	quantity	article code
-----	----------	--------------

2	2,00	109087-0003 Side channel, Quick cons. awning colour:9016 / length:500cm
---	------	--



Customer tour	:	430
term of payment	:	032
price per unit	:	103
Trimming length, profile (mm)	:	4659
sales unit	:	Piece

UK export	
Direct debit / 3 days - 4% cash discount	
GBP / Stück	103,00
mm	

value of goods	discount amount / %	net
206,00	82,40 / 40,00	123,60

weinor Ltd
73 Cornhill
GB-EC3V 3QQ London
weinor.com

Managing Director:
Tim Földner
General partner:
Weinor Beteiligungs-GmbH
Köln

VAT no.: 335 2381 16
Company no.: 12193066
UTR no.: 33431 24084
EORI no.: GB335238116000

Domestic transfers:
Commerzbank London
Sort Code: 406201
Account Number: 307 537 10

International transfers:
Commerzbank London
IBAN: GB51 COBA 4062 0130 7537 10
Swift: MIDLGB22 a/c COBAGB2X

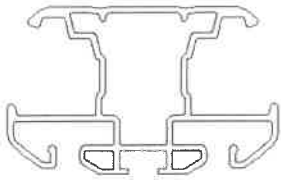
weinor Ltd 73 Cornhill EC3V 3QQ London

customer: 165708 sales order 202815074

Page 4 of 4

pos	quantity	article code
-----	----------	--------------

3	2,00	109088-0003	Coupling profile, quick-fit cons. awning colour:9016 / length:500cm
---	------	-------------	--



Customer tour : 430

term of payment : 032

price per unit : 208

Trimming length, profile (mm) : 4659

sales unit : Piece

UK export

Direct debit / 3 days - 4%
cash discount

GBP / Stück 208,00

mm

value of goods	discount amount / %	net
416,00	166,40 / 40,00	249,60

value of goods	discount amount	net	VAT (0 %)	Total GBP
1.477,00	590,80	886,20	0,00	886,20

In addition, our General Terms of Delivery and Payment as per 12/2021, published under the link provided below are valid and we are happy to provide you with them free of charge upon request.

<https://www.weinor.com/terms-and-conditions/>

delivery exw Cologne

payment: Direct debit / 3 days - 4% cash discount

mode of dispatch UK export

weinor Ltd
73 Cornhill
GB-EC3V 3QQ London
weinor.com

Managing Director:
Tim Földner
General partner:
Weinor Beteiligungs-GmbH
Köln

VAT no.: 335 2381 16
Company no.: 12193066
UTR no.: 33431 24084
EORI no.: GB335238116000

Domestic transfers:
Commerzbank London
Sort Code: 406201
Account Number: 307 537 10

International transfers:
Commerzbank London
IBAN: GB51 COBA 4062 0130 7537 10
Swift: MIDLGB22 a/c COBAGB2X

Scott Ruderham

From: Scott Ruderham
Sent: Wednesday, 7 February 2024 09:21
To: WAbbott@weinor.de
Cc: Natia Veliashvili (order@weinor.de)
Subject: FW: Your weinor offer 151186242 , customer detail: parts for 2030, as pdf-file
Attachments: 151186242.pdf

Good Morning Will

Please can I proceed with this order.

Ref: KAY SO15272

Many Thanks
Scotty

From: WAbbott@weinor.de <WAbbott@weinor.de>
Sent: Wednesday, January 24, 2024 7:12 AM
To: Sales <Sales@cpinteriors.ie>
Subject: Your weinor offer 151186242 , customer detail: parts for 2030, as pdf-file

Dear Sirs,

Thank you for your inquiry. Attached is our offer 151186242, customer information: parts for 2030, as pdf-file.. If you have further questions please contact your weinor sales rep. William Abbott. Tel/Fax numbers: +49-221-59709-472.

Mit freundlichen Grüßen / Yours sincerely
William Abbott
Customer Center



Markisen Terrassendächer Glasoasen®

weinor GmbH & Co. KG
Mathias-Brüggen-Straße 110
50829 Köln (Germany)

Telefon: +49-221-59709-472
E-Mail: WAbbott@weinor.de

www.weinor.de

Sitz der Gesellschaft:
Mathias-Brüggen-Straße 110, 50829 Köln
Amtsgericht Köln HRA 5676

Persönlich haftende Gesellschafterin:
weinor Beteiligungs GmbH
Mathias-Brüggen-Straße 110, 50829 Köln
Amtsgericht Köln HRB 4661

Geschäftsführer:
Tim Fuldner, Urs Neuhauser

Scott Ruderham

From: Scott Ruderham
Sent: Monday, 29 January 2024 10:22
To: William Kay
Subject: Quote for Awning Repairs

SO15272

Dear Mr Kay

I can advise on the below costs to carry out full repair to your awnings.

I have been liaising with our supplier and they have advised on the parts that will need replacing and fitting.

To Supply replacement parts including new awning arms and cords etc = £1772.40 + GST
Labour to be charged on hourly basis @ £69.00 per hour per fitter + GST for approx. 1 - 1.5 days for works.

If you wish to proceed, please feel free to let me know at your earliest convenience.

Kind regards,

Scotty
Ruderham

Logistics/Customer Care
scott@cpinteriors.je



Unit 28 Rue Des Pres Trading Estate
St Saviour
Jersey
JE2 7QN
01534 768141 | www.cpinteriors.je
📱 🌐



Discover what we do...
With our CP Price promise, we will beat any quote by 5% **
** On like for like products only

Quote

x parts = £ 1,772.40

x labour - hourly @ £69.00/h

weinor Ltd 73 Cornhill EC3V 3QQ London

C P Interiors**Rue Des Pres Trading Estate****GB-JE2 7QN St Saviour Jersey****delivery address**

DSV Road Ltd
 (NO UPS)
 10 Brunel Way, Segensworth Industrial Estate
 Hampshire, Fareham

offer (release 4)

sale offer 151186242
 customer: 165708
 offer date 18.01.2024
 reference: parts for 2030
 contact person: William Abbott
 E-Mail WAbbott@weinor.de
 phone number: +49-221-59709-472
 representat. 654 Chris Spickett
 tel (representat.): 0044 (0) 7894443907

quantity article code

In case of order, please confirm ral color and exact projection for the side channels

Dear sir or madam,

we are pleased to send you this offer.

Thank you for your query. We would like to offer following items, according to our general conditions of delivery and payment and subject to a concrete assessment of the technical feasibility.

Please be advised that this quote is based on a rough planning.

For the final order an exact site measuring with a detailed planning will be necessary. Therefore dimensions and prices may vary slightly.

We hope we have been of help with this offer and are pleased to issue the order.

Please feel free to contact us at the telephone number below if you have any question.

Kind regards

i.A. William Abbott

1 1,00 2645 Set of spares for WGM

Data of previous unit

Number of units : 3
 Type conservatory awning : for WGM 2010 2020 2030
 Product in sales order : WGM 2030, flat unit
 Distance centre to centre field 1 : 420 cm
 [cm]
 Distance centre to centre field 2 : 420 cm
 [cm]

weinor Ltd
 73 Cornhill
 GB-EC3V 3QQ London
 weinor.com

Managing Director:
 Tim Földner
 General partner:
 Weinor Beteiligungs-GmbH
 Köln

VAT no.: 335 2381 16
 Company no.: 12193066
 UTR no.: 33431 24084
 EORI no.: GB335238116000

Domestic transfers:
 Commerzbank London
 Sort Code: 406201
 Account Number: 307 537 10
International transfers:
 Commerzbank London
 IBAN: GB51 COBA 4062 0130 7537 10
 Swift: MIDLGB22 a/c COBAGB2X

weinor Ltd 73 Cornhill EC3V 3QQ London

customer: 165708

sale offer 151186242

Page 2 of 4

pos	quantity	article code			
		Distance centre to centre field 3 [cm]	: 420	cm	
		distance centre to centre total	: 1260	cm	
		width of cassette total	: 1269	cm	
		projection WGM [cm]	: 490	cm	
		Basic colour	: RAL 9016 white		
		Data of set of spares for WGM			
		Number of set of rollers, (recommended 1 per field!)	: 3	Piece	204,00
		Polyester cord compl., with shim +cable tie	: Polyester cord, 5mm grey compl., with shim +cable tie		202,50
		Quantity polyester cord	: 6 x Polyester cord		
		length of rope field 1 [mm]	: 13390		
		length of rope field 2 [mm]	: 13390		
		length of rope field 3 [mm]	: 13390		
		Carriage, cons. awning compl. (left and right)	: Carriage, W21+22, compl.		272,40
		Distance bar bracket, double	: Distanzrohrhalter WGM 2010 Kopplung kpl.		176,10
		value of goods			
		855,00			
		discount amount / %			
		342,00 / 40,00			
		net			
		513,00			

weinor Ltd
73 Cornhill
GB-EC3V 3QQ London
weinor.com

Managing Director:
Tim Földner
General partner:
Weinor Beteteiligungs-GmbH
Köln

VAT no.: 335 2381 16
Company no.: 12193066
UTR no.: 33431 24084
EORI no.: GB335238116000

Domestic transfers:
Commerzbank London
Sort Code: 406201
Account Number: 307 537 10

International transfers:
Commerzbank London
IBAN: GB51 COBA 4062 0130 7537 10
Swift: MIDLGB22 a/c COBAGB2X

weinor Ltd 73 Cornhill EC3V 3QQ London

customer: 165708

sale offer 151186242

Page 3 of 4

pos	quantity	article code
-----	----------	--------------

2	2,00	109087-0003 Side channel, Quick cons. awning colour:9016 / length:500cm
---	------	--

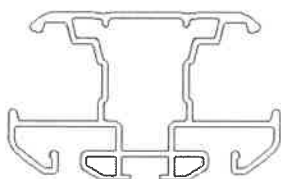


term of payment	: 032
price per unit	: 103
Trimming length, profile (mm)	: 4659
sales unit	: Piece

Direct debit / 3 days - 4% cash discount	
GBP / Stück	103,00
mm	

value of goods	discount amount / %	net
206,00	82,40 / 40,00	123,60

3	2,00	109088-0003 Coupling profile, quick-fit cons. awning colour:9016 / length:500cm
---	------	--



term of payment	: 032
price per unit	: 208
Trimming length, profile (mm)	: 4659
sales unit	: Piece

Direct debit / 3 days - 4% cash discount	
GBP / Stück	208,00
mm	

value of goods	discount amount / %	net
416,00	166,40 / 40,00	249,60

weinor Ltd
73 Cornhill
GB-EC3V 3QQ London
weinor.com

Managing Director:
Tim Fuldner
General partner:
Weinor Beteiligungs-GmbH
Köln

VAT no.: 335 2381 16
Company no.: 12193066
UTR no.: 33431 24084
EORI no.: GB335238116000

Domestic transfers:
Commerzbank London
Sort Code: 406201
Account Number: 307 537 10

International transfers:
Commerzbank London
IBAN: GB51 COBA 4062 0130 7537 10
Swift: MIDLGB22 a/c COBAGB2X

weinor Ltd 73 Cornhill EC3V 3QQ London

customer: 165708

sale offer 151186242

Page 4 of 4

pos	quantity	article code
-----	----------	--------------

999	1,00	127887-0000 net material cost surcharge
-----	------	---

price per unit : 0

value of goods	discount amount / %	net		
0,00	0,00 / 0,00	0,00		
value of goods	discount amount	net	VAT (0 %)	Total GBP
1.477,00	590,80	886,20	0,00	886,20

x2 =
£1,772.40

In addition, our General Terms of Delivery and Payment as per 12/2021, published under the link provided below are valid and we are happy to provide you with them free of charge upon request.

<https://www.weinor.com/terms-and-conditions/>

+Labour

This offer is valid until 31.01.2024

delivery exw Cologne
 payment: Direct debit / 3 days - 4% cash discount
 mode of dispatch UK export

Scott Ruderham

From: Scott Ruderham
Sent: Thursday, 18 January 2024 08:54
To: Natia Veliashvili
Cc: Ben Reed; WAbbott@weinor.de
Subject: RE: exploded drawing 2030

Hi Natia

Please see below.

Ben has indicated what would be required for the repair works for the clients awnings.

We would need the following:

Part No 76 – x 1

Part No 77 – x 1

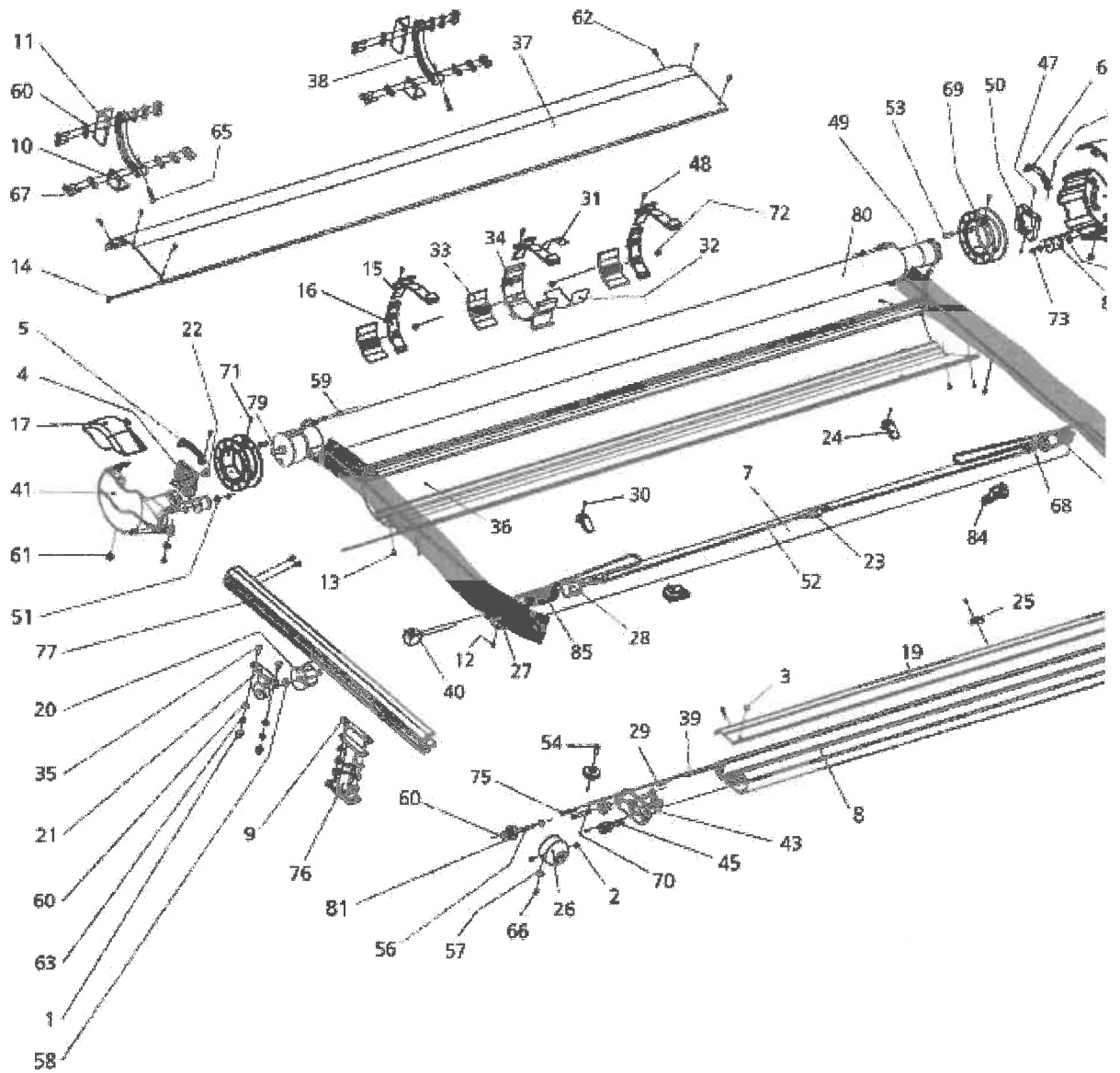
Part No 78 – x 1

2 x double arms for the awnings (replacements) (no part no on drawing)

6 x cords (highlighted) in red for the arms

Please can you advise/ cost up for us?

Thanks
Scotty



From: Natia Veliashvili <NVeliashvili@weinor.de>
Sent: Thursday, 11 January 2024 10:05
To: Scott Ruderham <scott@cpinteriors.je>
Subject: exploded drawing 2030

Mit freundlichen Grüßen / Yours sincerely
Natia Veliashvili

Customer Center | Order Ticket



Markisen Terrassendächer Glasoasen ®

weinor GmbH & Co. KG
Mathias-Brüggen-Straße 110
50829 Köln (Germany)

Telefon: +49-221-59709-494
E-Mail: NVeliashvili@weinor.de

www.weinor.de

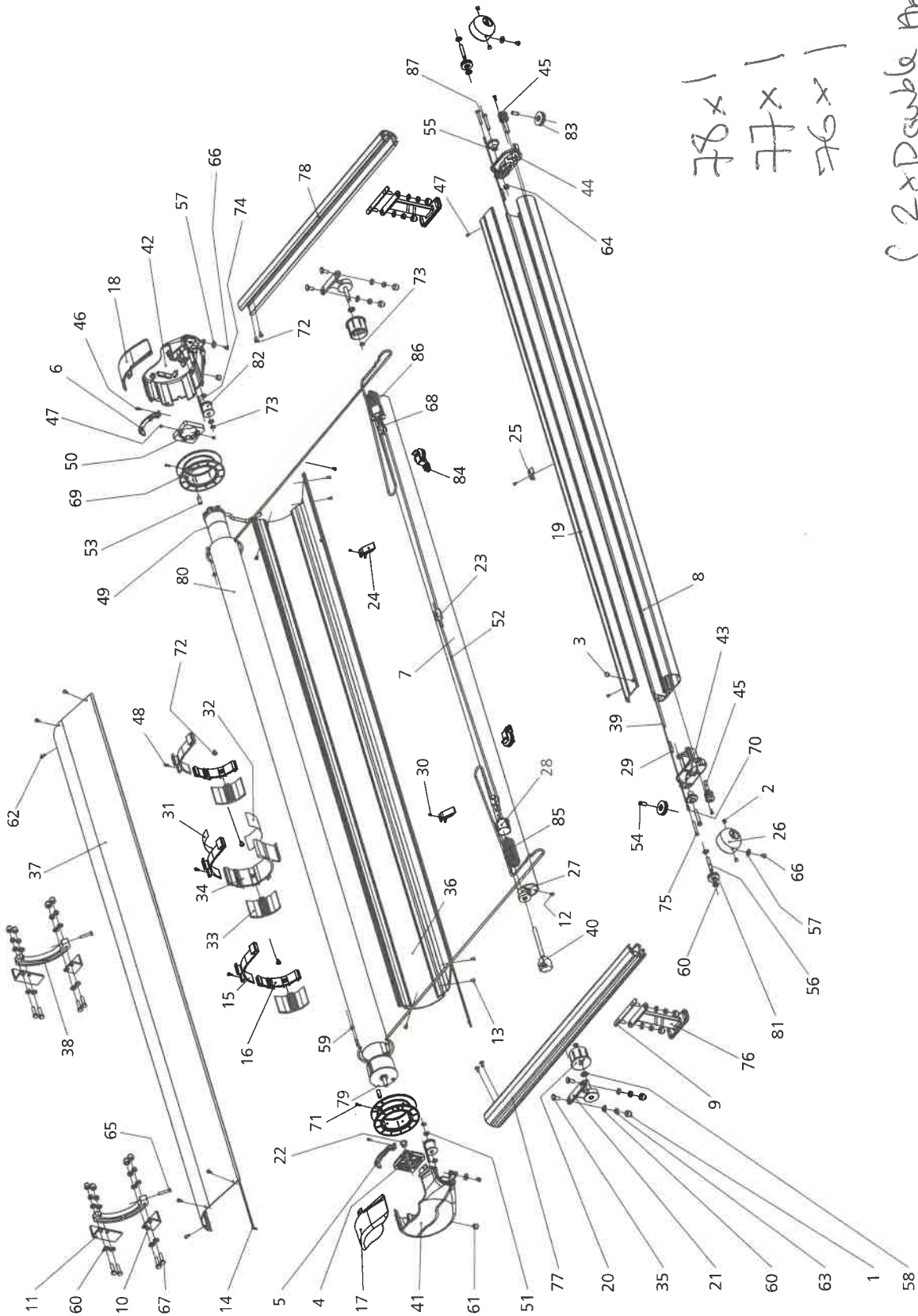
Sitz der Gesellschaft:
Mathias-Brüggen-Straße 110, 50829 Köln
Amtsgericht Köln HRA 5676

Persönlich haftende Gesellschafterin:
weinor Beteiligungs GmbH
Mathias-Brüggen-Straße 110, 50829 Köln
Amtsgericht Köln HRB 4661

Geschäftsführer:
Tim Földner, Urs Neuhauser

2. Exploded drawing

2. Vue éclatée



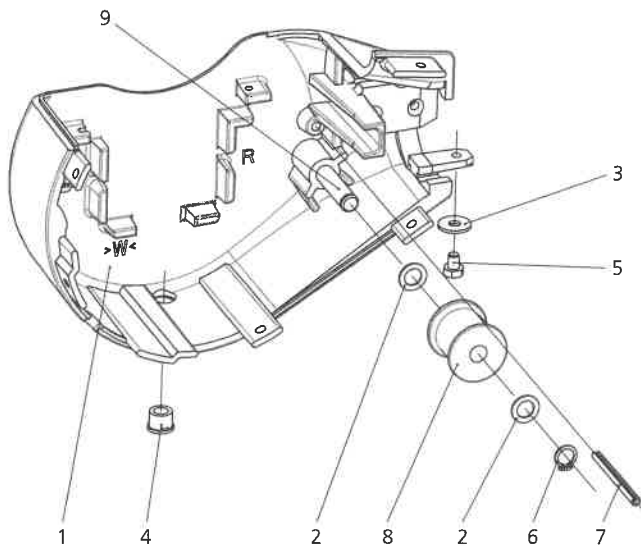
78x1
77x1
76x1

(2x Double Arms)
(6x cords)

- | | |
|---|---|
| 1 Cap, size 13 | 1 Cache de protection SW13 |
| 2 Cover plug B10/8 x 6,3 | 2 Bouchon de recouvrement B10/8 x 6,3 |
| 3 Cover plug B13/10 x 6,7 | 3 Bouchon de recouvrement B13/10 x 6,7 |
| 4 Adaptor 70 x 70 | 4 Adaptateur 70 x 70 |
| 5 Adaptor locking device, left | 5 Sécurité de l'adaptateur, à gauche |
| 6 Adaptor locking device, right | 6 Sécurité de l'adaptateur, à droite |
| 7 Aluminium pipe, 60 x 3 | 7 Tube en aluminium 60 x 3 |
| 8 Drop profile | 8 Barre de charge |
| 9 Clamping slider 2 x M8 x 22 x 80 x 14,5 x 120 | 9 Coulisseau de fixation 2 x M8 x 22 x 80 x 14,5 x 120 |
| 10 Angle bracket 40 x 40 x 5 x 40 for housing | 10 Équerre de fixation 40 x 40 x 5 x 40, caisson |
| 11 Angle bracket 40 x 40 x 5 x 80 for housing | 11 Équerre de fixation 40 x 40 x 5 x 80, caisson |
| 12 Blind rivet DIN 7337-A4 x 10 | 12 Rivet aveugle DIN 7337-A4 x 10 |
| 13 Blind rivet DIN 7337-A5 x 10 | 13 Rivet aveugle DIN 7337-A5 x 10 |
| 14 Brush IBS 175 m RB 4,8 GH 12 | 14 Brosse IBS 175 m RB 4,8 GH 12 |
| 15 Upper part of top bracket 30 mm, machined | 15 Partie supérieure du support de toit 30 mm, usinage méca. |
| 16 Lower part of top bracket 30 mm, machined | 16 Partie inférieure du support de toit 30 mm, usinage méca. |
| 17 Cover, right, machined | 17 Couvreclap, à droite, usinage méca. |
| 18 Cover for head plate, right, machined | 18 Couvreclap-plaque de recouvrement, à droite, usinage méca. |
| 19 Cover profile for drop profile | 19 Profilé de cache pour barre de charge |
| 20 Distance bar insert D60 x 44 | 20 Insert d'entretoise tubulaire D60 x 44 |
| 21 Distance bar insert with bolt | 21 Support d'entretoise tubulaire avec boulon |
| 22 DUB flanged bushing BB1212DUB | 22 Douille à collet DUB BB1212DUB |
| 23 Oval clamp | 23 Serre-câble ovale |
| 24 Stop cam | 24 Came d'entrée |
| 25 Stop cam, top | 25 Came d'entrée supérieur |
| 26 End cap, machined | 26 Embout, usinage méca. |
| 27 Spring slot | 27 Logement du ressort |
| 28 Spring cover | 28 Protection du ressort |
| 29 Fischer anchor S8 | 29 Cheville Fischer S8 |
| 30 Grub screw DIN 914-M4 x 8 | 30 Tige filetée DIN 914-M4 x 8 |
| 31 Glide tape 5423 148 x 25 mm | 31 Ruban adhésif lisse 5423 148 x 25 mm |
| 32 Glide tape 5423 148 x 51 mm | 32 Ruban adhésif lisse 5423 148 x 51 mm |
| 33 Sliding support clip 60 mm, machined | 33 Pièce de serrage du palier lisse 60 mm, usinage méca. |
| 34 Sliding support bearing 60 mm, machined | 34 Coussinet de palier lisse 60 mm, usinage méca. |
| 35 T-head screw M8 x 20 | 35 Vis à tête marteau M8 x 20 |
| 36 Profile for bottom of housing | 36 Profilé du fond de caisson |
| 37 Profile for top of housing | 37 Profilé du capot de caisson |
| 38 Housing bracket 16 mm | 38 Attache pour caisson 16 mm |
| 39 Beading 6,0 mm | 39 Jonc 6,0 mm |
| 40 1:1 bevel gears with short spindle | 40 Engrenage conique 1:1 avec axe court |
| 41 Head plate, left, machined | 41 Plaque de recouvrement, à gauche, usinage méca. |
| 42 Head plate, right, machined | 42 Plaque de recouvrement, à droite, usinage méca. |
| 43 Carriage, left, machined | 43 Chariot de roulement, à gauche, usinage méca. |
| 44 Carriage, right, machined | 44 Chariot de roulement, à droite, usinage méca. |
| 45 Carriage spindle, compl. | 45 Axe de chariot, compl. |
| 46 Slotted pan head screw DIN 7981-3,9 x 13-C-A2-H | 46 Vis à tête bombée DIN 7981-3,9 x 13-C-A2-H |
| 47 Slotted pan head screw DIN 7981-3,9 x 9,5-C-A2-H | 47 Vis à tête bombée DIN 7981-3,9 x 9,5-C-A2-H |
| 48 Slotted pan head screw DIN 7981-4,2 x 13-C-A2-H | 48 Vis à tête bombée DIN 7981-4,2 x 13-C-A2-H |
| 49 Motor | 49 Moteur |
| 50 Somfy Orea motor adaptor | 50 Adaptateur du moteur Somfy Orea |
| 51 Shim ring DIN 988 A2 10 x 16 x 1 | 51 Rondelle d'ajustage DIN 988 A2 10 x 16 x 1 |
| 52 Polyester cord, 5 mm, grey | 52 Corde polyester 5 mm, grise |
| 53 Knock-down fitting 25 x 9,5 | 53 Boulon à écrou transversal 25 x 9,5 |
| 54 Knurled nut D8 x 21 | 54 Boulon moleté D8 x 21 |
| 55 Roller D33 | 55 Rouleau D33 |
| 56 Knurled nut D8 x 51 | 56 Boulon moleté D8 x 51 |
| 57 Washer DIN 9021-6,4-A2 | 57 Rondelle DIN 9021-6,4-A2 |
| 58 Washer DIN 125A-10,5 x 20 x 1 | 58 Rondelle DIN 125A-10,5 x 20 x 1 |
| 59 Washer DIN 125A-6,4-A2 | 59 Rondelle DIN 125A-6,4-A2 |
| 60 Washer DIN 125A-8,4-A2 | 60 Rondelle DIN 125A-8,4-A2 |
| 61 Spring-loaded bushing 8 x 12,7 | 61 Manchon à emboîter 8 x 12,7 |
| 62 Hex self-tapping screw DIN 7976-5,5 x 13 | 62 Vis à tête hexagonale DIN 7976-5,5 x 13 |
| 63 Hexagon nut DIN 934-M8 | 63 Écrou hexagonal DIN 934-M8 |
| 64 Self-locking hexagon nut DIN 985-M8 | 64 Écrou hexagonal autobloquant DIN 985-M8 |
| 65 Hexagon head set screw DIN 933-M6 x 35 | 65 Vis à tête hexagonale DIN 933-M6 x 35 |
| 66 Hexagon head set screw DIN 933-M6 x 8 | 66 Vis à tête hexagonale DIN 933-M6 x 8 |
| 67 Hexagon head set screw DIN 933-M8 x 30 | 67 Vis à tête hexagonale DIN 933-M8 x 30 |
| 68 Rope block with swivel | 68 Poulie à émerillon |
| 69 Rope drum | 69 Tambour à câble |
| 70 Hex head self-tapping screw DIN 7982-ST4,2 x 16-C-A2-H | 70 Vis à tête conique DIN 7982-ST4,2 x 16-C-A2-H |
| 71 Countersunk DIN 965-M4 x 14 | 71 Vis à tête conique DIN 965-M4 x 14 |
| 72 Countersunk hex head screw DIN 7991-M6 x 14 | 72 Vis à tête conique et six pans creux DIN 7991-M6 x 14 |
| 73 Retaining ring DIN 471-10 x 1 | 73 Rondelle d'arrêt DIN 471-10 x 1 |
| 74 Spring pin DIN ISO 8752-5 x 60-A2 | 74 Goupille de serrage DIN ISO 8752-5 x 60-A2 |
| 75 Chipboard screw with countersunk head 6 x 50 | 75 Vis pour aggloméré, avec tête fraisée 6 x 50 |
| 76 Support bracket, modern, 150 mm | 76 Pied d'appui moderne 150 mm |
| 77 "Quick" side channel, left, machined | 77 Profilé de transport Quick, à gauche, usinage méca. |
| 78 "Quick" side channel, right, machined | 78 Profilé de transport Quick, à droite, usinage méca. |
| 79 Roller tube insert 85 mm NE 85-2:12 | 79 Insert de l'axe d'enroulement 85 mm NE 85-2:12 |
| 80 Roller tube profile 85 x 1,25 | 80 Profilé de l'axe d'enroulement 85 x 1,25 |
| 81 Pulley block D33 | 81 Poulie de renvoi D33 |
| 82 Pulley block D34 x 33 | 82 Poulie de renvoi D34 x 33 |
| 83 Pulley block D40 | 83 Poulie de renvoi D40 |
| 84 Pre-tensioning fork, compl. | 84 Fourche de pré-tension, compl. |
| 85 Tension spring 4,25 mm LK 80 mm, 1 eyelet | 85 Ressort de traction 4,25 mm LK 80 mm, 1 œillet |
| 86 Tension spring 4,25 mm LK 80 mm, 2 eyelets | 86 Ressort de traction 4,25 mm LK 80 mm, 2 œillets |
| 87 Socket head cap screw DIN 6912 M8 x 50 | 87 Vis cyl. avec six pans creux DIN 6912 M8 x 50 |

Exploded drawing head plate, right

Vue éclatée de la plaque de recouvrement à droite



- 1 Head plate, right, machined
- 2 Shim ring DIN 988 A2 10 x 16 x 1
- 3 Washer DIN 9021-6.4-PA6
- 4 Spring-loaded bushing 8 x 12.7
- 5 Hexagon head set screw DIN 933-M6 x 8
- 6 Retaining ring DIN 471-10 x 1
- 7 Spring pin DIN ISO 8752-5 x 60-A2
- 8 Pulley block D34 x 33
- 9 Grease bolts

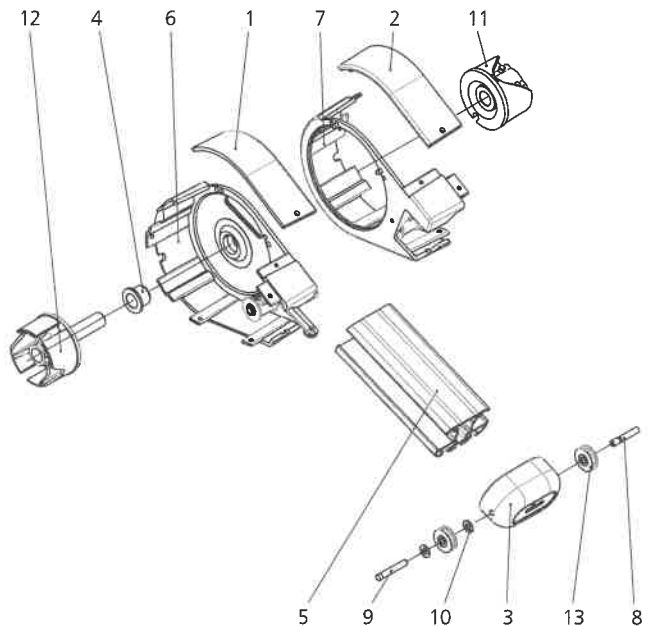
The other side is fitted as a mirror image to this one

- 1 Plaque de recouvrement, à droite, usinage méca.
- 2 Rondelle d'ajustage DIN 988 A2 10 x 16 x 1
- 3 Rondelle DIN 9021-6,4-PA6
- 4 Manchon à emboîter 8 x 12,7
- 5 Vis à tête hexagonale DIN 933-M6 x 8
- 6 Rondelle d'arrêt DIN 471-10 x 1
- 7 Goupille de serrage DIN ISO 8752-5 x 60-A2
- 8 Poulie de renvoi D34 x 33
- 9 Graisser le boulon

Montage « en miroir » pour l'autre côté

Exploded drawing coupling point

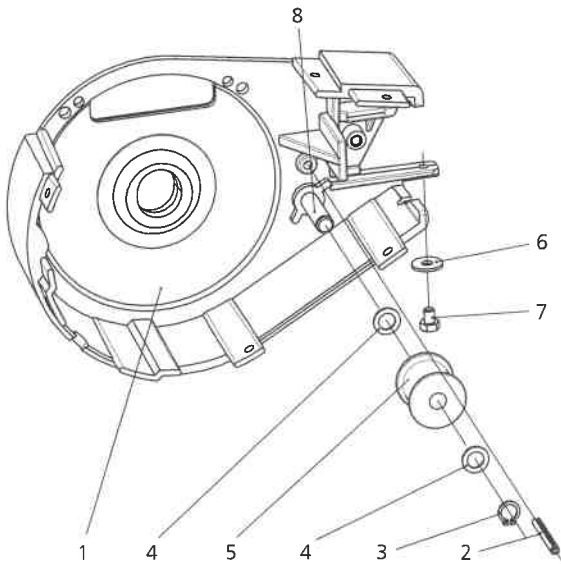
Vue éclatée de l'emplacement de couplage



- 1 Cover for centre head plate, left
- 2 Cover for centre head plate, right
- 3 End cap for coupling, machined
- 4 Slider bush
- 5 "Quick" coupling profile
- 6 Centre head plate, complete, left
- 7 Centre head plate, complete, right
- 8 Slotted bolt for coupling end cap
- 9 Knurled nut D8 x 51
- 10 Washer DIN 125A-8.4-A2
- 11 Fabric roller insert on clamping side
- 12 Fabric roller insert with bolts
- 13 Pulley block D33

- 1 Cache de la plaque de recouvrement centrale, à gauche
- 2 Cache de la plaque de recouvrement centrale, à droite
- 3 Embout de couplage, usinage mécanique
- 4 Bague flottante
- 5 Profilé de couplage Quick
- 6 Plaque de recouvrement centrale, complète, à gauche
- 7 Plaque de recouvrement centrale, complète, à droite
- 8 Boulon à rainure embout de couplage
- 9 Boulon moleté D8 x 51
- 10 Rondelle DIN 125A-8,4-A2
- 11 Insert de l'axe d'enroulement, côté borne
- 12 Insert de l'axe d'enroulement avec boulon
- 13 Poulie de renvoi D33

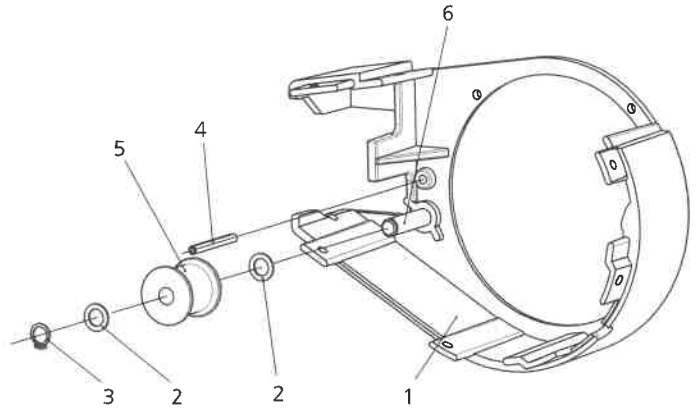
Exploded drawing centre head plate, left
Vue éclatée plaque de recouvrement à gauche



- 1 Centre head plate, left, machined
- 2 Spring pin DIN ISO 8752-5 x 45-A2
- 3 Retaining ring DIN 471-10 x 1
- 4 Shim ring DIN 988 A2 10 x 16 x 1
- 5 Pulley block D34 x 33
- 6 Washer DIN 9021-6.4-PA6
- 7 Hexagon head set screw DIN 933-M6 x 8
- 8 Grease bolts

- 1 Plaque de recouvrement, à gauche, usinage méca.
- 2 Goupille de serrage DIN ISO 8752-5 x 45-A2
- 3 Rondelle d'arrêt DIN 471-10 x 1
- 4 Rondelle d'ajustage DIN 988 A2 10 x 16 x 1
- 5 Poulie de renvoi D34 x 33
- 6 Rondelle DIN 9021-6,4-PA6
- 7 Vis à tête hexagonale DIN 933-M6 x 8
- 8 Graisser le boulon

Exploded drawing centre head plate, right
Vue éclatée plaque de recouvrement à droite



- 1 Centre head plate, right, machined
- 2 Shim ring DIN 988 A2 10 x 16 x 1
- 3 Retaining ring DIN 471-10 x 1
- 4 Spring pin DIN ISO 8752-5 x 45-A2
- 5 Pulley block D34 x 33
- 6 Grease bolts

- 1 Plaque de recouvrement, à droite, usinage méca
- 2 Rondelle d'ajustage DIN 988 A2 10 x 16 x 1
- 3 Rondelle d'arrêt DIN 471-10 x 1
- 4 Goupille de serrage DIN ISO 8752-5 x 45-A2
- 5 Poulie de renvoi D34 x 33
- 6 Graisser le boulon

Scott Ruderham

From: William Kay <william@r3treatfarm.com>
Sent: Saturday, 16 December 2023 15:41
To: Scott Ruderham
Subject: Re: Awning 3 Retreat Farm

Follow Up Flag: Follow up
Flag Status: Flagged

Thanks for the report Scott

Yes please go ahead as indicated

William

Sent from [Outlook for Android](#)

From: Scott Ruderham <scott@cpinteriors.je>
Sent: Friday, December 15, 2023 2:50:37 PM
To: William Kay <william@r3treatfarm.com>
Subject: RE: Awning 3 Retreat Farm

Hi Mr Kay

My installation manager Ben has attended this afternoon, and I am advised to report the following:

- The awnings have all got cords which have either snapped or are on the verge of snapping, there is also one of the legs where the awning arms sit that has broken.
We have put the awning back in and turned off the power for the rest as we advise not to use them as it could be a health and safety risk.

I would strongly advise not turning the power back on or using the awnings at all during the Xmas period, as we will be unable to attend due to closure if any of the other awnings do the same.

Ben and I will be looking through all the necessary options for repair early next week, but any thing we are required to order will take a minimum of 4-8 weeks approx.

I can compile a quote/estimate for you with the parts required and a plan of action for repair if you wish me to do so?

Please feel free to give me a call or Email when suitable if you wish to discuss further.

Kind Regards,

Scotty
CP Interiors

From: Scott Ruderham
Sent: Thursday, 14 December 2023 09:22
To: William Kay <william@r3treatfarm.com>
Subject: RE: Awning 3 Retreat Farm

Hi Mr Kay

Ok fab thanks for letting me know

Kind Regards
Scotty

From: William Kay <william@r3treatfarm.com>
Sent: Thursday, 14 December 2023 09:19
To: Scott Ruderham <scott@cpinteriors.je>
Subject: Re: Awning 3 Retreat Farm

Good morning Scott

I will leave the remote in a plastic bag outside conservatory for Ben on Friday

Thanks
William

Sent from Outlook for Android

From: Scott Ruderham <scott@cpinteriors.je>
Sent: Wednesday, December 13, 2023 1:13:02 PM
To: William Kay <william@r3treatfarm.com>
Subject: RE: Awning 3 Retreat Farm

Fab thanks
Il report back once Ben has attended Friday

All the best
scotty

From: William Kay <william@r3treatfarm.com>
Sent: Wednesday, 13 December 2023 13:11
To: Scott Ruderham <scott@cpinteriors.je>
Subject: Re: Awning 3 Retreat Farm

3 Retreat Farm
Rue du Vieux Menage
St Saviour
JE27XG

Sent from Outlook for Android

From: Scott Ruderham <scott@cpinteriors.je>
Sent: Wednesday, December 13, 2023 1:04:19 PM
To: William Kay <william@r3treatfarm.com>
Subject: RE: Awning 3 Retreat Farm

Thank you Mr Kay

Il send Ben along Friday afternoon
Can you just please confirm your address and il pass on instructions to Ben

Many thanks
scotty

From: William Kay <william@r3treatfarm.com>
Sent: Wednesday, 13 December 2023 12:45
To: Scott Ruderham <scott@cpinteriors.ie>
Subject: Re: Awning 3 Retreat Farm

Good afternoon Scott and thanks for yours

As mentioned I will be out for much of the next two days but access to the garden can be had through the garage. (I know your guys will take care of my new car in the garage!)

Looking forward to hearing from you

Kind regards
William

07797 716557
Sent from [Outlook for Android](#)

From: Scott Ruderham <scott@cpinteriors.ie>
Sent: Tuesday, December 12, 2023 3:04:28 pm
To: William Kay <william@r3treatfarm.com>
Subject: RE: Awning 3 Retreat Farm

Hi Mr Kay

Yes as I thought it looks like the drum rope which would need replacing.
Leave it with me and il show Ben my installation manager when he is in the office tomorrow and come back to you about us popping up to quickly assess the damage and we can go from there.

Il be in touch again tomorrow.

Kind Regards
Scotty

From: William Kay <william@r3treatfarm.com>
Sent: Tuesday, 12 December 2023 14:09
To: Scott Ruderham <scott@cpinteriors.ie>
Subject: Awning 3 Retreat Farm

Scott

As discussed just now here is photo showing location of snapped cord

Look forward to hearing about a date to examine/ fix

Thanks
William

William Kay
07797 716557

from [Outlook for Android](#)

weinor Ltd 73 Cornhill EC3V 3QQ London

C P Interiors

**Rue Des Pres Trading Estate
GB-JE2 7QN St Saviour Jersey**

delivery address

DSV Road Ltd
(NO UPS)
10 Brunel Way, Segensworth Industrial Estate
GB-PO15 5TX Hampshire, Fareham
NO UPS

ORDER CONFIRMATION (release 2)

sales order no.: 202816480 of 16.02.2024
customer: 165708
reference: SO3574 Drew
Your order no.:
contact person: William Abbott
E-Mail: WAbbott@weinor.de
phone number: +49-221-59709-472
representat. 654 Chris Spickett
tel (representat.): 0044 (0) 7894443907

pos	quantity	article code
-----	----------	--------------

Dear Customer,

We herewith confirm your order based on the dimensions specified by you.

IMPORTANT: With immediate effect, you can technically release your orders from the weinor E-shop yourself and will be provided with a delivery date immediately. Moreover, it is possible to stop orders in the weinor E-shop independently up to a specific production point.

Trust in fast and safe in the future: Orders possible via the weinor E-shop are processed faster. Additionally, errors are virtually ruled out. The system instantly checks and confirms your configuration for technical feasibility.

Please observe that we can only name a likely delivery date after your final release. Each change requires re-engineering, thus extending the delivery period.

Please also take into account that changes to an order after release cause costs which we may have to pass on to you.

Please send the release to our telefax no.: +49 221 59709-83602 or by E-mail: freigabe@weinor.de

Many thanks!

weinor Ltd
73 Cornhill
GB-EC3V 3QQ London
weinor.com

Managing Director:
Tim Földner
General partner:
Weinor Beteiligungs-GmbH
Köln

VAT no.: 335 2381 16
Company no.: 12193066
UTR no.: 33431 24084
EORI no.: GB335238116000

Domestic transfers:
Commerzbank London
Sort Code: 406201
Account Number: 307 537 10

International transfers:
Commerzbank London
IBAN: GB51 COBA 4062 0130 7537 10
Swift: MIDLGB22 a/c COBAGB2X

weinor Ltd 73 Cornhill EC3V 3QQ London

customer: 165708 sales order 202816480

Page 2 of 4

pos quantity article code

Your APPROVAL:
 (Signature) (Date)

2 6,00 124537-0000 LED Spot SuperSeal V2 komplett



Customer tour	:	: 430	UK export	
term of payment	:	: 032	Direct debit / 3 days - 4% cash discount	
price per unit	:	: 40	GBP / Stück	40,00
sales unit	:	: Piece		

value of goods	discount amount / %	net
240,00	96,00 / 40,00	144,00

weinor Ltd
 73 Cornhill
 GB-EC3V 3QQ London
 weinor.com

Managing Director:
 Tim Földner
 General partner:
 Weinor Beteiligungs-GmbH
 Köln

VAT no.: 335 2381 16
 Company no.: 12193066
 UTR no.: 33431 24084
 EORI no.: GB335238116000

Domestic transfers:
 Commerzbank London
 Sort Code: 406201
 Account Number: 307 537 10

International transfers:
 Commerzbank London
 IBAN: GB51 COBA 4062 0130 7537 10
 Swift: MIDLGB22 a/c COBAGB2X

weinor Ltd 73 Cornhill EC3V 3QQ London

customer: 165708 sales order 202816480

Page 3 of 4

pos	quantity	article code
-----	----------	--------------

3	1,00	114930-0000 Mitnehmer Somfy f. Optinut d80x1,25
---	------	---



Customer tour	: 430	UK export	
term of payment	: 032	Direct debit / 3 days - 4% cash discount	
price per unit	: 19,6	GBP / Stück	19,60
sales unit	: Piece		

value of goods	discount amount / %	net
19,60	7,84 / 40,00	11,76

4	1,00	117422-0000 Motoradapter für Somfy Orea RH 70x70
---	------	--



Customer tour	: 430	UK export	
term of payment	: 032	Direct debit / 3 days - 4% cash discount	
price per unit	: 13,3	GBP / Stück	13,30
sales unit	: Piece		

value of goods	discount amount / %	net
13,30	13,30 / 100,00	0,00

weinor Ltd
73 Cornhill
GB-EC3V 3QQ London
weinor.com

Managing Director:
Tim Földner
General partner:
Weinor Beteiligungs-GmbH
Köln

VAT no.: 335 2381 16
Company no.: 12193066
UTR no.: 33431 24084
EORI no.: GB335238116000

Domestic transfers:
Commerzbank London
Sort Code: 406201
Account Number: 307 537 10

International transfers:
Commerzbank London
IBAN: GB51 COBA 4062 0130 7537 10
Swift: MIDLGB22 a/c COBAGB2X

weinor Ltd 73 Cornhill EC3V 3QQ London

customer: 165708 sales order 202816480

Page 4 of 4

pos	quantity	article code
-----	----------	--------------

value of goods	discount amount	net	VAT (0 %)	Total GBP
272,90	117,14	155,76	0,00	155,76

In addition, our General Terms of Delivery and Payment as per 12/2021, published under the link provided below are valid and we are happy to provide you with them free of charge upon request.

<https://www.weinor.com/terms-and-conditions/>

delivery exw Cologne
 payment: Direct debit / 3 days - 4% cash discount
 mode of dispatch UK export

weinor Ltd
 73 Cornhill
 GB-EC3V 3QQ London
 weinor.com

Managing Director:
 Tim Földner
 General partner:
 Weinor Beteiligungs-GmbH
 Köln

VAT no.: 335 2381 16
 Company no.: 12193066
 UTR no.: 33431 24084
 EORI no.: GB335238116000

Domestic transfers:
 Commerzbank London
 Sort Code: 406201
 Account Number: 307 537 10

International transfers:
 Commerzbank London
 IBAN: GB51 COBA 4062 0130 7537 10
 Swift: MIDLGB22 a/c COBAGB2X

weinor Ltd 73 Cornhill EC3V 3QQ London

C P Interiors

**Rue Des Pres Trading Estate
GB-JE2 7QN St Saviour Jersey**

delivery address

DSV Road Ltd
(NO UPS)
10 Brunel Way, Segensworth Industrial Estate
GB-PO15 5TX Hampshire, Fareham
NO UPS

ORDER CONFIRMATION (release 1)

sales order no.: 202812910 of 29.01.2024
customer: 165708
reference: White
Your order no.: SO15223
contact person: William Abbott
E-Mail: WAbbott@weinor.de
phone number: +49-221-59709-472
representat.: 654 Chris Spickett
tel (representat.): 0044 (0) 7894443907

pos	quantity	article code
-----	----------	--------------

1	1,00	1883	Opal Design II
---	------	------	----------------

expected delivery date	:	04.03.2024	
Product use	:	private house	
width (cm)	:	600	cm
Projection [cm]	:	300	cm
Base colour	:	WT029/70786 Sparkling Iron Effect	3.611,00
Folding arm design	:	Arm with LongLife technology and high-tech belt	
no. of arms	:	2	arms
insulation [mm]	:	0	mm
bracket type 1	:	wall fixing 150 mm Opal Design II	
number of brackets 1	:	3	Piece
			117,00

weinor Ltd
73 Cornhill
GB-EC3V 3QQ London
weinor.com

Managing Director:
Tim Földner
General partner:
Weinor Beteiligungs-GmbH
Köln

VAT no.: 335 2381 16
Company no.: 12193066
UTR no.: 33431 24084
EORI no.: GB335238116000

Domestic transfers:
Commerzbank London
Sort Code: 406201
Account Number: 307 537 10

International transfers:
Commerzbank London
IBAN: GB51 COBA 4062 0130 7537 10
Swift: MIDLGB22 a/c COBAGB2X

weinor Ltd 73 Cornhill EC3V 3QQ London

customer: 165708 sales order 202812910

Page 3 of 4

pos	quantity	article code
-----	----------	--------------

weight	: 100	kg
--------	-------	----

value of goods	discount amount / %	net
3.742,00	1.496,80 / 40,00	2.245,20

2	1,00	2557	BiConnect
---	------	------	-----------

expected delivery date	: 04.03.2024
------------------------	--------------

deliver BiConnect separate?	: No; supply receiver and handheld remote control with awning
-----------------------------	---

shipment info	: The pre set receivers (except LED) and the handset will be packed with contract number 202812910 pos 1!
---------------	---

receiver for motor	: 1	BiRec MA, basic	116,00
--------------------	-----	-----------------	--------

control	: BiConnect BiEasy 1M (silver version)	104,00
---------	--	--------

learned on channel 1	: BiRec MA-K, basic	for order 202812910/1: Opal Design II engine left
----------------------	---------------------	--

No. of BiSens Agido-3V	: 1	Piece	162,00
------------------------	-----	-------	--------

value of goods	discount amount / %	net
382,00	152,80 / 40,00	229,20

999	1,00	127887-0000	net material cost surcharge
-----	------	-------------	-----------------------------

Pos 1 - Opal Design II - 48,00 GBP	48,00
------------------------------------	-------

value of goods	discount amount / %	net
48,00	0,00 / 0,00	48,00

weinor Ltd
73 Cornhill
GB-EC3V 3QQ London
weinor.com

Managing Director:
Tim Földner
General partner:
Weinor Beteiligungs-GmbH
Köln

VAT no.: 335 2381 16
Company no.: 12193066
UTR no.: 33431 24084
EORI no.: GB335238116000

Domestic transfers:
Commerzbank London
Sort Code: 406201
Account Number: 307 537 10

International transfers:
Commerzbank London
IBAN: GB51 COBA 4062 0130 7537 10
Swift: MIDLGB22 a/c COBAGB2X