

Any questions, please phone Rach ☺

Order, confirmed to Tony 20/12/23. RB

GUILLARD SO15260 – rachel@cpinteriors.je



Fabric Tay Jewell

Recover fabric with brass pins around edge.  
Underneath to be relined/recovered

Vertical stripes as existing.

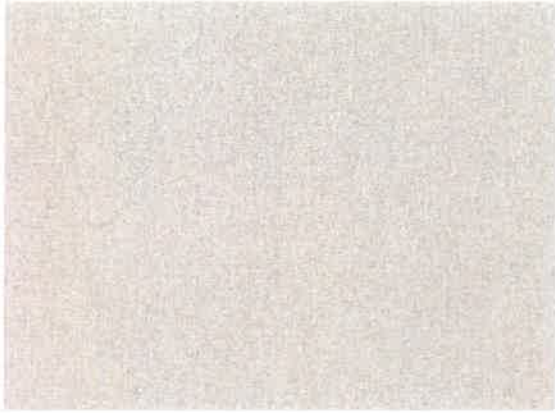


Fabric: Tay Jewell + Samuel & sons 131 piping

Recover fabric, with piping on all 4 sides, underneath  
to be relined/recovered

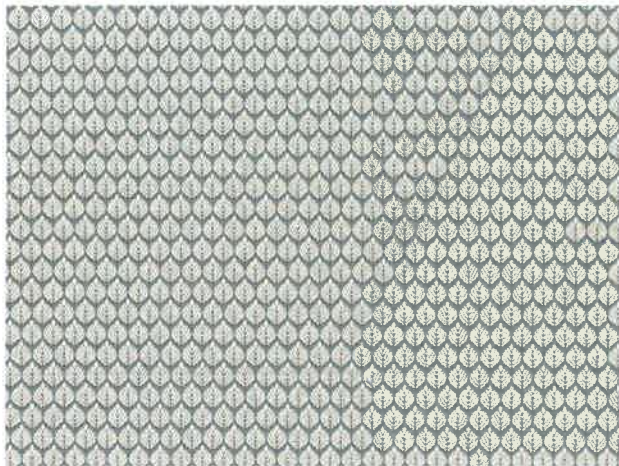
Vertical stripes, change direction from existing.





**Fabric: Orly Icicle**

Self Piped on top cushion, Lining to be replaced. Plus material triangle flap as existing to open lid. Keep existing chains and hinge inside.



**Fabric Henell Jasper**

Recover only, under lining to be replaced or recovered.



SO15260

(prices and amounts given  
on the phone by Tony)  
06/12/23

• Blanket box: £150

2m of fabric

• Stool (dressing table stool): £35

1m of fabric

• Large footstool: £50

• Dining chair: £50

~~1m of fabric for both~~

~~3m of piping if used on both (1.5m if  
only used on large footstool)~~

RA phoned: 3m piping for just  
stool, Tony advised wrong.  
+ £10 for brass pins which he  
missed off my quote.



sent to Tony Morris 05/12/23, confirmed for order  
20/12/23

Client: SO15260

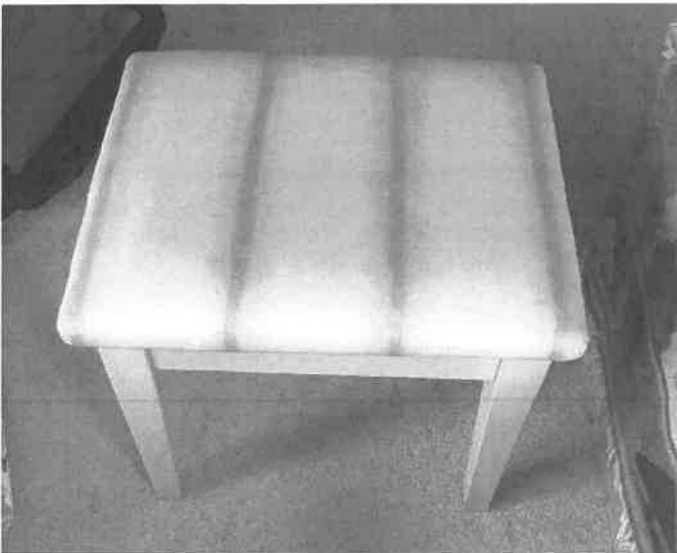


Blanket box with lift up lid.

570mm x 600mm x 325mm for box

570mm x 600mm x 110mm for cushion

Plain fabric, self piped on cushion (as photo) with small fabric flap to lift lid up. Inner lining to be replaced, plain.



Small Foot Stool

540mm x 500mm



**Large Foot Stool**

**690mm x 690mm stripe fabric with corded french piping (supplied by us). Underside to be re lined**



**660mm x 680mm stripe fabric with brass pins around base instead of cord.**

use NOTE: Measurements are the exact size of all the items, I have not allowed for extra material as per conversation with Rachel  
Thank you.

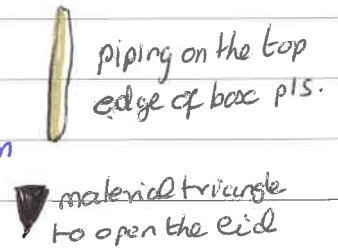
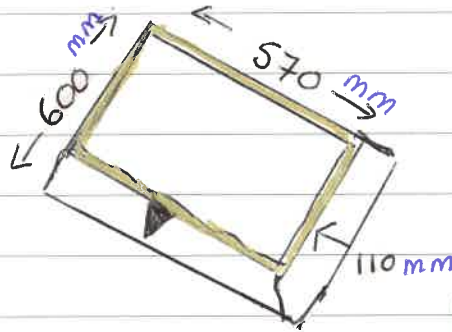
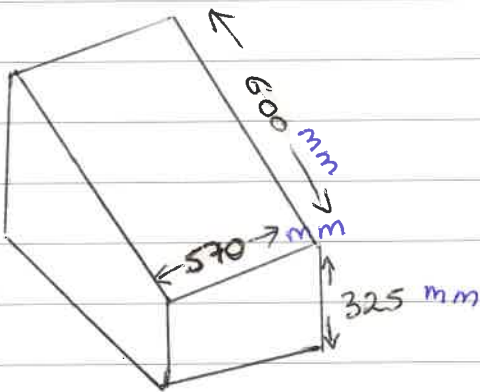
Mrs E. Guillard, La Clayere, St Clement JE2 6SG Tel 852537

"Blanket Box held by chain & hinge"

Romo "only" Kelby Icicle for Base & Lid of Box.

"Base of Box"

"Top half of box lid"



\* inside material to be replaced if needed

Large foot stool material: V3503/02

Chair

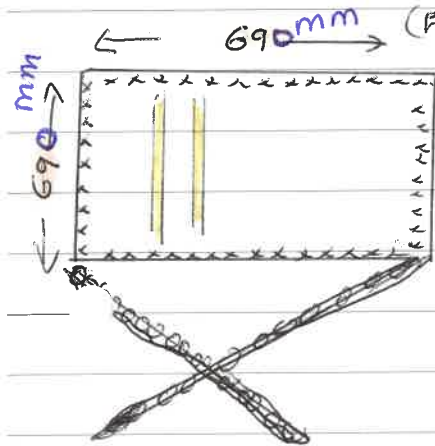
material: V3503/02

Tay Jewel.

(From Villa Nova marine)

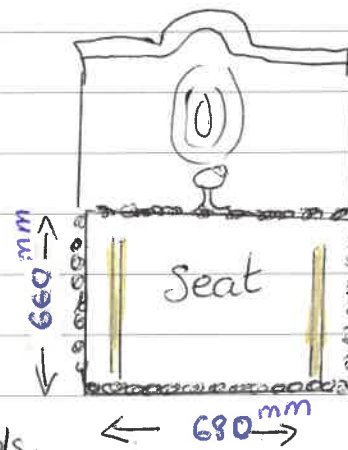
Tay Jewel.

(From Villa Nova marine)



\* check under seat if it needs recovering too?

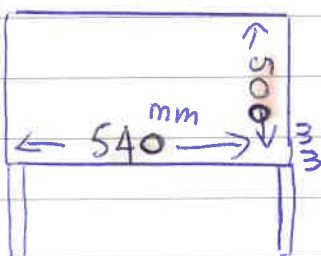
\* Stripes going down on both stool & chair pls.



\* under the seat need recovering also.

Little brass pins to add on pls.

xxxxxx = French piping along foot stool NO 126



Small foot stool

Romo 7859/04

Hennell Jasper

Collection ORTON

width 138cm

Repeat 4.0cm - 2.0cm.



1

2

3

4



# CP INTERIORS

Chrissie Guillard

La Cloyere  
Rue De La Lourderie  
St Clement

JE2 6SG

Date	Reference	Your Contact
06-12-2023	SO15260	Rachel

Customer Ref.

## Quote

Our Price Promise to you

We are so confident our pricing is competitive, that we will beat any written quotation for equivalent product by 5%

### Supply & Fit/Supply Only

Location	Description	QTY	Price
	Supply only- Upholstery, Blanket Box & Cushioned Lid with fabric flap and replacement lining in Orly Kelby Icicle,	1	£ 495.00
	Supply only- Upholstery, Dressing Table Stool in fabric Hennell Jasper 7859/04, <span style="border: 1px solid blue; border-radius: 50%; padding: 2px;">1</span>	1	£ 165.50
	Supply only- Upholstery, Large Footstool, including 0.5m Villa Nova Tay Jewel V3505/02 and 3m Samuel & Sons French Piping colour <del>126</del> , 131.	1	£ 162.00
	Supply only- Upholstery, Chair, including 0.5m Villa Nova Tay Jewel V3505/02 and brass pins,	1	<del>£ 121.25</del> 144.25

Terms : 50% deposit due with order, 50% on completion

BACS Payment	
Bank:	NatWest
Sort Code:	60 12 03
Account No:	66577772
Carpet Protection (C.I) Ltd T/A CP Interiors	

Phone and Card Payment
Payment can be made in person or by phone. If phone, please call us on 01534 768141 and have your card details ready. Note, we do not accept American Express or Cheque payments.

Subtotal :	<del>£ 943.75</del>
GST :	£ 47.19
Total :	<del>£ 990.94</del>

Please note: This quotation is only valid for acceptance for 14 days. Our estimate does not include any electrical work or additional carpentry work to install the above unless otherwise specified. Please note there is a handling charge on customer own fabric of £7.50 per metre. Due to high costs of labour, pre-arranged missed fitting appointments will be charged on a time-wasted basis. Settlement is due on completion of works and an administration charge of £25 will be added per month if unpaid within 30 days. We reserve the right to charge for design, advice and liaison work carried out should an order not be placed. Goods remain the property of CP Interiors until full settlement is received. Should payment not be received we reserve the right to attend premises during working hours to remove goods and not be required to make good. Our full terms and conditions apply and are available on request.