



CP INTERIORS

Charles White

La Maree
La Route De L'Etacq
L'Etacq
JE3 2FD

Date	Reference	Your Contact
30-11-2023	SO15223	Tamara

Customer Ref.

Quote

Our Price Promise to you
We are so confident our pricing is competitive, that we will beat any written quotation for equivalent product by 5%

Supply & Fit/Supply Only

Location	Description	QTY	Price
	Supply & Fit- Awning / Canopy, Weinor Opal electrically operated awning with full cassette and vibration sensor, powder coated in one of the standard colours available and with a trend and acrylic fabric in a colour TBC. Includes brackets and remote control. Size 6m wide x 3m projection Electrical works not included, <i>WT029/70786 Sparkling Iron Effect</i> <i>Denim A/3-847 2</i> <i>To be confirmed</i>	1	£ 6,545.00

Left Hand Side flates

Terms : 50% deposit due with order, 50% on completion

BACS Payment		Phone and Card Payment		Subtotal :	£ 6,545.00
Bank:	NatWest	Payment can be made in person or by phone. If phone, please call us on 01534 768141 and have your card details ready.		Discount:	£ 654.50
Sort Code:	60 12 03	Note, we do not accept American Express or Cheque payments.		GST :	£ 294.53
Account No:	66577772			Total :	£ 6,185.03
Carpet Protection (C.I) Ltd T/A CP Interiors					

Please note: This quotation is only valid for acceptance for 14 days. Our estimate does not include any electrical work or additional carpentry work to install the above unless otherwise specified. Please note there is a handling charge on customer own fabric of £7.50 per metre. Due to high costs of labour, pre-arranged missed fitting appointments will be charged on a time-wasted basis. Settlement is due on completion of works and an administration charge of £25 will be added per month if unpaid within 30 days. We reserve the right to charge for design, advice and liaison work carried out should an order not be placed. Goods remain the property of CP Interiors until full settlement is received. Should payment not be received we reserve the right to attend premises during working hours to remove goods and not be required to make good. Our full terms and conditions apply and are available on request.

- PORCELAIN A/3-847
- Sparkling Iron Effect WT029/70786



White (SO15223)

Opal Design II

29/11/2023



1 1x Opal Design II

2,245.20 GBP



2 1x BiConnect

229.20 GBP



999 1x net material cost surcharge

48.00 GBP

$$\begin{aligned} & \text{£}2245.20 + \text{£}229.20 + \text{£}2474.40 \times 2.5 = \text{£}6186 + \\ & \text{£}48 \end{aligned}$$

£6234

Configuration details

weinor Ltd 73 Cornhill EC3V 3QQ London

C P Interiors

Rue Des Pres Trading Estate
GB-JE2 7QN St Saviour Jersey

reference: White
Your order no.: SO15223
weinor customernumber: 165708
creation Date: 29.01.2024
weinor pers. in charge: William Abbott
phone / fax number: +49-221-59709-472
representat.: Chris Spickett
tel (representat.): 0044 (0) 7894443907

pos	quantity	article	price
1	1	weinor Opal Design II	3.742,00
		Product use : private house	
		width (cm) : 600 cm ✓	
		Projection [cm] : 300 cm ✓	3.611,00
		Base colour : WT029/70786 Sparkling Iron Effect ✓	
		Folding arm design : Arm with LongLife technology and high-tech belt	
		no. of arms : 2 arms	
		insulation [mm] : 0 mm	
		bracket type 1 : wall fixing 150 mm Opal Design II ✓	
		number of brackets 1 : 3 Piece	117,00
		FB1 Force 1 per fixing point : 3322 N	
		Torque per folding arm [Nm] : 844 Nm	
		bracket position left 1st array : 51,4 cm	
		bracket position centre 1st array : 300 cm	
		bracket position right 1st array : 51,4 cm	
		type of control : engine ✓	
		Side of control (seen from the front) : Left ✓	
		With remote control BiConnectWith : Yes! Please remind the separate order!	
		remote control BiConnect	
		Information on BiConnect : The BiConnect has been done in 503816515 position 2!	
		lead cable : 118841-0000 Kabel 3G1 L4200 OE/STAK3	
		Hirschmann plug? : Hirschmann plug not assembled	14,00
		type of motor :	
		real-design : WE3-847 ✓	
		colour of thread Saba : RAL 7001 Silver grey	

RB checked ✓

weinor Ltd
73 Cornhill
GB-EC3V 3QQ London
weinor.com

Managing Director:
Tim Földner
General partner:
Weinor Beteiligungs-GmbH
Köln

VAT no.: 335 2381 16
Company no.: 12193066
UTR no.: 33431 24084
EORI no.: GB335238116000

Domestic transfers:
Commerzbank London
Sort Code: 406201
Account Number: 307 537 10

International transfers:
Commerzbank London
IBAN: GB51 COBA 4062 0130 7537 10
Swift: MIDLGB22 a/c COBAGB2X

Configuration details

weinor Ltd 73 Cornhill EC3V 3QQ London

Page 2 of 2

customer: 165708 reference: White

pos	quantity	article	price
-----	----------	---------	-------

Cardboard packaging : edges reinforcement
weight : 100 kg

value of goods	discount amount / %	net
3.742,00	1.496,80 / 40,00	2.245,20

2	1	weinor BiConnect	382,00
----------	----------	-------------------------	---------------

deliver BiConnect separate? : No; supply receiver and handheld remote control with awning
shipment info : The pre set receivers (except LED) and the handset will be packed with contract number 503816515 pos 1!

receiver for motor : 1 BiRec MA, basic 116,00
control : BiConnect BiEasy 1M (silver version) 104,00
learned on channel 1 : BiRec MA-K, basic for order 503816515/1: Opal Design II engine left
No. of BiSens Agido-3V : 1 Piece ✓ 162,00

value of goods	discount amount / %	net
382,00	152,80 / 40,00	229,20

999	1	weinor Netto-Materialkostenzuschlag	48,00
------------	----------	--	--------------

price per unit : 48 48,00
Pos 1 - Opal Design II - 48,00 GBP

At least one item from your order has been ordered for approval. The later valid net material cost surcharge cannot currently be calculated and may differ from the value specified here.

value of goods	discount amount / %	net
48,00	0,00 / 0,00	48,00

value of goods GBP	discount amount	net GBP	VAT (0 %)	Total GBP
4.172,00	1.649,60	2.522,40	0,00	2.522,40

weinor Ltd
73 Cornhill
GB-EC3V 3QQ London
weinor.com

Managing Director:
Tim Fuldner
General partner:
Weinor Beteiligungs-GmbH
Köln

VAT no.: 335 2381 16
Company no.: 12193066
UTR no.: 33431 24084
EORI no.: GB335238116000

Domestic transfers:
Commerzbank London
Sort Code: 406201
Account Number: 307 537 10

International transfers:
Commerzbank London
IBAN: GB51 COBA 4062 0130 7537 10
Swift: MIDLGB22 a/c COBAGB2X

Tamara Lopez-Dominguez

From: Charles White <charles@cwd.je>
Sent: 26 January 2024 17:22
To: Tamara Lopez-Dominguez
Cc: hannah jolley
Subject: RE: Awning

Follow Up Flag: Follow up
Flag Status: Flagged

Hi Tamara,

I met with my electrician earlier and he thought it would be pretty simple. The motor should be located on the left of the awning when looking at the house from the outside.

Kind Regards,
Charles

From: Tamara Lopez-Dominguez <Tamara@cpinteriors.je>
Sent: Monday, January 22, 2024 3:53 PM
To: Charles White <charles@cwd.je>
Cc: hannah jolley <hannahjol89@hotmail.co.uk>
Subject: RE: Awning

Hi Charles,

We have spoken with the supplier, and as they had agreed to hold the price on the basis of a confirmed order, they said we need to place it by Monday next week the very latest, otherwise they will have to apply the price increase that came into effect on the 1st of January.

Kind Regards

Tamara
Lopez-Dominguez

Interior Design Advisor
tamara@cpinteriors.je



Unit 28 Rue Des Pres Trading Estate
St Saviour
Jersey
JE2 7QN
01534 768141 | www.cpinteriors.je
 



With our CP Price promise, we will beat any
** On like for like products only

Sorry I am struggling to get hold of our electrician. If I still cant in the next couple of days I will contact the person you suggested.

Thanks
Charles

From: Tamara Lopez-Dominguez <Tamara@cpinteriors.ie>
Sent: Friday, January 5, 2024 4:24 PM
To: Charles White <charles@cwd.ie>
Cc: hannah jolley <hannahjol89@hotmail.co.uk>
Subject: RE: Awning

Hi Charles,

No problem at all. I have updated the information in our records.

Just a quick question, have you managed to speak with your electrician? Only asking as we need to confirm the side of the motor, and this would make it easier. Many thanks.

Kind Regards

Tamara
Lopez-Dominguez

Interior Design Advisor
tamara@cpinteriors.ie



Unit 28 Rue Des Pres Trading Estate
St Saviour
Jersey
JE2 7QN
01534 768141 | www.cpinteriors.ie
 



With our CP Price promise, we will beat any
** On like for like products only

From: Charles White <charles@cwd.ie>
Sent: Friday, January 5, 2024 2:01 PM
To: Tamara Lopez-Dominguez <Tamara@cpinteriors.ie>
Cc: hannah jolley <hannahjol89@hotmail.co.uk>
Subject: RE: Awning

Hi Tamara,

We have considered all the options now and would like to go for 'porcelain A|3-847' for the fabric and 'Sparkling Iron Effect WT 029/70786' for the cassette colour please. I hope its not too late to make these changes?

Many Thanks,
Charles

weinor Ltd 73 Cornhill EC3V 3QQ London

C P Interiors

**Rue Des Pres Trading Estate
GB-JE2 7QN St Saviour Jersey**

delivery address

DSV Road Ltd
(NO UPS)
10 Brunel Way, Segensworth Industrial Estate
GB-PO15 5TX Hampshire, Fareham
NO UPS

ORDER CONFIRMATION (release 1)

sales order no.: 202812910 of 29.01.2024
customer: 165708
reference: White
Your order no.: SO15223
contact person: William Abbott
E-Mail: WAbbott@weinor.de
phone number: +49-221-59709-472
representat.: 654 Chris Spickett
tel (representat.): 0044 (0) 7894443907

pos	quantity	article code
-----	----------	--------------

1	1,00	1883	Opal Design II
---	------	------	----------------

expected delivery date	:	04.03.2024	
Product use	:	private house	
width (cm)	:	600	cm
Projection [cm]	:	300	cm
Base colour	:	WT029/70786 Sparkling Iron Effect	3.611,00
Folding arm design	:	Arm with LongLife technology and high-tech belt	
no. of arms	:	2	arms
insulation [mm]	:	0	mm
bracket type 1	:	wall fixing 150 mm Opal Design II	
number of brackets 1	:	3	Piece
			117,00

weinor Ltd
73 Cornhill
GB-EC3V 3QQ London
weinor.com

Managing Director:
Tim Földner
General partner:
Weinor Beteiligungs-GmbH
Köln

VAT no.: 335 2381 16
Company no.: 12193066
UTR no.: 33431 24084
EORI no.: GB335238116000

Domestic transfers:
Commerzbank London
Sort Code: 406201
Account Number: 307 537 10

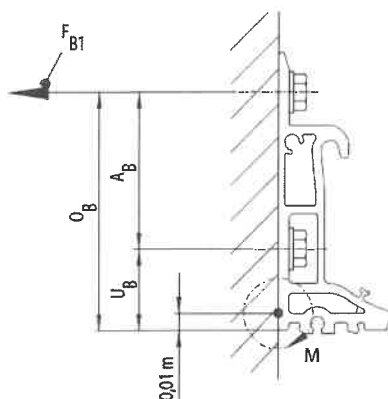
International transfers:
Commerzbank London
IBAN: GB51 COBA 4062 0130 7537 10
Swift: MIDLGB22 a/c COBAGB2X

weinor Ltd 73 Cornhill EC3V 3QQ London

customer: 165708 sales order 202812910

Page 2 of 4

pos	quantity	article code
-----	----------	--------------



Force 1 means the pull-out force per upper fastener F(B).

FB1 Force 1 per fixing point	: 3322	N
Torque per folding arm [Nm]	: 844	Nm

Please note that your selected awning configuration results in the following forces per upper fixing point (pull-out, lateral and/or shear forces). These must be accounted for by using suitable fixings.

bracket position left 1st array	: 51,4	cm
bracket position centre 1st array	: 300	cm
bracket position right 1st array	: 51,4	cm
type of control	: engine	
Side of control (seen from the front)	: Left	
With remote control	: Yes! Please remind the separate order!	
BiConnect		
Information on BiConnect	: The BiConnect has been done in 202812910 position 2!	
lead cable	: 118841-0000 Kabel 3G1 L4200 OE/STAK3	
Hirschmann plug?	: Hirschmann plug not assembled	14,00
type of motor	: Motor L50-17-E12-V1+ ohne Zubehör	
real-design	: WE3-847	porcelaine, my collections 2
colour of thread Saba	: RAL 7001 Silver grey	
Cardboard packaging	: edges reinforcement	

weinor Ltd
73 Cornhill
GB-EC3V 3QQ London
weinor.com

Managing Director:
Tim Földner
General partner:
Weinor Beteiligungs-GmbH
Köln

VAT no.: 335 2381 16
Company no.: 12193066
UTR no.: 33431 24084
EORI no.: GB335238116000

Domestic transfers:
Commerzbank London
Sort Code: 406201
Account Number: 307 537 10

International transfers:
Commerzbank London
IBAN: GB51 COBA 4062 0130 7537 10
Swift: MIDLGB22 a/c COBAGB2X

weinor Ltd 73 Cornhill EC3V 3QQ London

customer: 165708 sales order 202812910

Page 3 of 4

pos	quantity	article code	
	weight		: 100 kg
	value of goods	discount amount / %	net
	3.742,00	1.496,80 / 40,00	2.245,20

2 1,00 2557 BiConnect

expected delivery date : 04.03.2024

deliver BiConnect separate? : No; supply receiver and handheld remote control with awning

shipment info : The pre set receivers (except LED) and the handset will be packed with contract number 202812910 pos 1!

receiver for motor : 1 BiRec MA, basic 116,00

control : BiConnect BiEasy 1M (silver version) 104,00

learned on channel 1 : BiRec MA-K, basic for order 202812910/1: Opal Design II engine left

No. of BiSens Agido-3V : 1 Piece 162,00

value of goods	discount amount / %	net
382,00	152,80 / 40,00	229,20

999 1,00 127887-0000 net material cost surcharge

Pos 1 - Opal Design II - 48,00 GBP 48,00

value of goods	discount amount / %	net
48,00	0,00 / 0,00	48,00

weinor Ltd
73 Cornhill
GB-EC3V 3QQ London
weinor.com

Managing Director:
Tim Földner
General partner:
Weinor Beteiligungs-GmbH
Köln

VAT no.: 335 2381 16
Company no.: 12193066
UTR no.: 33431 24084
EORI no.: GB335238116000

Domestic transfers:
Commerzbank London
Sort Code: 406201
Account Number: 307 537 10

International transfers:
Commerzbank London
IBAN: GB51 COBA 4062 0130 7537 10
Swift: MIDLGB22 a/c COBAGB2X

weinor Ltd 73 Cornhill EC3V 3QQ London

customer: 165708 sales order 202812910

Page 4 of 4

pos	quantity	article code
-----	----------	--------------

value of goods	discount amount	net	VAT (0 %)	Total GBP
4.172,00	1.649,60	2.522,40	0,00	2.522,40

Our spoken and written advice focuses on an explanation of the best possible use of our products and services. It does not liberate you from the obligation to check fitness of our products and services for your particular purpose. That includes the inspection of the general condition and especially maximum capacity load of fixing base as well as forwarding all respective information in addition to your order to weinor. That way delivery of the correct type and number of brackets is guaranteed. If our product can not be used as upon agreement due to false or lacking information we or any auxiliary person do accept contractual or non-contractual liabilities only in case of malicious intent or gross negligence.

In order to mount all brackets corresponding their fixing base you will need suitable mounting systems. For mounting on concrete C20/25 we recommend heavy duty anchor-systems from fischer (e.g. FAZ II M12/10 GS or FAZ II M12/30 GS). In case of mounting on any other base referred to in our pricelist or on frontal concrete ceiling we recommend the use of injection systems from fischer (e.g. FIS V 360 S). You can order them directly from us.

If you use a different mounting system or your own brackets, you will need a table of pull-out resistance of screw anchors in order to determine the working load.

In addition, our General Terms of Delivery and Payment as per 12/2021, published under the link provided below are valid and we are happy to provide you with them free of charge upon request.

<https://www.weinor.com/terms-and-conditions/>

delivery exw Cologne
 payment: With direct debit 5% discount payment
 mode of dispatch UK export

Configuration details

weinor Ltd 73 Cornhill EC3V 3QQ London

C P Interiors

**Rue Des Pres Trading Estate
GB-JE2 7QN St Saviour Jersey**

reference: White
Your order no.: SO15223
weinor customernumber: 165708
creation Date: 29.11.2023
weinor pers. in charge: William Abbott
phone / fax number: +49-221-59709-472
representat.: Chris Spickett
tel (representat.): 0044 (0) 7894443907

pos	quantity	article	price
1	1	weinor Opal Design II	3.742,00
		Product use : private house	
		width (cm) : 600 cm	
		Projection [cm] : 300 cm	3.611,00
		Base colour : WT029/90146 Approx. RAL 9006 Metallic	
		Folding arm design : Arm with LongLife technology and high-tech belt	
		no. of arms : 2 arms	
		insulation [mm] : 0 mm	
		bracket type 1 : wall fixing 150 mm Opal Design II	
		number of brackets 1 : 3 Piece	117,00
		FB1 Force 1 per fixing point : 3322 N	
		Torque per folding arm [Nm] : 844 Nm	
		bracket position left 1st array : 51,4 cm	
		bracket position centre 1st array : 300 cm	
		bracket position right 1st array : 51,4 cm	
		type of control : engine	
		Side of control (seen from the front) : Left	
		With remote control BiConnectWith : Yes! Please remind the separate order!	
		remote control BiConnect	
		Information on BiConnect : The BiConnect has been done in 503816515 position 2!	
		lead cable : 118841-0000 Kabel 3G1 L4200 OE/STAK3	
		Hirschmann plug? : Hirschmann plug not assembled	14,00
		type of motor :	
		real-design : WE3-509	
		colour of thread Saba : RAL 7001 Silver grey	

weinor Ltd
73 Cornhill
GB-EC3V 3QQ London
weinor.com

Managing Director:
Thilo Weiermann
General partner:
Weinor Beteiligungs-GmbH
Köln

VAT no.: 335 2381 16
Company no.: 12193066
UTR no.: 33431 24084
EORI no.: GB335238116000

Domestic transfers:
Commerzbank London
Sort Code: 406201
Account Number: 307 537 10

International transfers:
Commerzbank London
IBAN: GB51 COBA 4062 0130 7537 10
Swift: MIDLGB22 a/c COBAGB2X

Configuration details

weinor Ltd 73 Cornhill EC3V 3QQ London

Page 2 of 2

customer:	165708	reference:	White		
pos	quantity	article			price
Cardboard packaging weight		: edges reinforcement : 94 kg			
		value of goods	discount amount / %		net
		3.742,00	1.496,80 / 40,00		2.245,20
2	1	weinor BiConnect			382,00
deliver BiConnect separate? shipment info		: No; supply receiver and handheld remote control with awning : The pre set receivers (except LED) and the handset will be packed with contract number 503816515 pos 1!			
receiver for motor control		: 1 BiRec MA, basic : weinor BiConnect BiEasy 1M silver			116,00 104,00
learned on channel 1		: BiRec MA-K, basic for order 503816515/1: Opal Design II engine left			
No. of BiSens Agido-3V		: 1 Piece			162,00
		value of goods	discount amount / %		net
		382,00	152,80 / 40,00		229,20
999	1	weinor Netto-Materialkostenzuschlag			48,00
price per unit		: 48 Pos 1 - Opal Design II - 48,00 GBP			48,00
		At least one item from your order has been ordered for approval. The later valid net material cost surcharge cannot currently be calculated and may differ from the value specified here.			
		value of goods	discount amount / %		net
		48,00	0,00 / 0,00		48,00
value of goods GBP	discount amount	net GBP	VAT (0 %)	Total GBP	
4.172,00	1.649,60	2.522,40	0,00	2.522,40	



CP INTERIORS

Charles White
La Maree
La Route De L'Etacq
L'Etacq
JE3 2FD

Date	Reference	Your Contact
29-11-2023	SO15223	Tamara
Customer Ref.		

Quote

Our Price Promise to you
We are so confident our pricing is competitive, that we will beat any written quotation for equivalent product by 5%

Supply & Fit/Supply Only

Location	Description	QTY	Price
	Supply & Fit- Awning / Canopy, Weino Opal electrically operated awning with full cassette and vibration sensor, powder coated in one of the standard colours available and with a trend and acrylic fabric in a colour TBC. Includes brackets and remote control. Size 6m wide x 3m projection Electrical works not included.	1	£ 6,234.00

Terms : 50% deposit due with order, 50% on completion

BACS Payment	
Bank:	NatWest
Sort Code:	60 12 03
Account No:	66577772
Carpet Protection (C.I) Ltd T/A CP Interiors	

Phone and Card Payment
Payment can be made in person or by phone. If phone, please call us on 01534 768141 and have your card details ready. Note, we do not accept American Express or Cheque payments.

Subtotal :	£ 6,234.00
<i>10% DISCOUNT.</i>	
GST :	£ 311.70
Total :	£ 6,545.70

Please note: This quotation is only valid for acceptance for 14 days. Our estimate does not include any electrical work or additional carpentry work to install the above unless otherwise specified. Please note there is a handling charge on customer own fabric of £7.50 per metre. Due to high costs of labour, pre-arranged missed fitting appointments will be charged on a time-wasted basis. Settlement is due on completion of works and an administration charge of £25 will be added per month if unpaid within 30 days. We reserve the right to charge for design, advice and liaison work carried out should an order not be placed. Goods remain the property of CP Interiors until full settlement is received. Should payment not be received we reserve the right to attend premises during working hours to remove goods and not be required to make good. Our full terms and conditions apply and are available on request.

+ have said offer 10% disc you or int free over 12 months with 20% dep.