

weinor Ltd 73 Cornhill EC3V 3QQ London

C P Interiors

Rue Des Pres Trading Estate
GB-JE2 7QN St Saviour Jersey

delivery address

DSV Road Ltd
(NO UPS)
10 Brunel Way, Segensworth Industrial Estate
Hampshire, Fareham

offer (release 4)

sale offer 151186610
customer: 165708
offer date 06.02.2024
reference: Colmar, broad street//plaza
contact person: William Abbott
E-Mail WAbbott@weinor.de
phone number: +49-221-59709-472
representat. 654 Chris Spickett
tel (representat.): 0044 (0) 7894443907

quantity article code

in case of order, there should be 2 orders of plazas

Dear sir or madam,

we are pleased to send you this offer.

Thank you for your query. We would like to offer following items, according to our general conditions of delivery and payment and subject to a concrete assessment of the technical feasibility.

Please be advised that this quote is based on a rough planning.

For the final order an exact site measuring with a detailed planning will be necessary. Therefore dimensions and prices may vary slightly.

We hope we have been of help with this offer and are pleased to issue the order.

Please feel free to contact us at the telephone number below if you have any question.

Kind regards

i.A. William Abbott

1	1,00	2681	Plaza Viva OptiStretch
in case of order, there should be 2 orders of plazas			

basic data

Product use : private house
length of row? : yes, multi-section unit
Number of units : 2-coupled unit
number of motors : two motors
Width of cassette total [mm] : 11000 mm

weinor Ltd
73 Cornhill
GB-EC3V 3QQ London
weinor.com

Managing Director:
Tim Fuldner
General partner:
Weinor Beteiligungs-GmbH
Köln

VAT no.: 335 2381 16
Company no.: 12193066
UTR no.: 33431 24084
EORI no.: GB335238116000

Domestic transfers:
Commerzbank London
Sort Code: 406201
Account Number: 307 537 10

International transfers:
Commerzbank London
IBAN: GB51 COBA 4062 0130 7537 10
Swift: MIDLGB22 a/c COBAGB2X

pos	quantity	article code		
		width of the left cassette(mm)	: 5500	
		width of the right cassette [mm]:	: 5500	
		Clearance height (mm)	: 2100	mm
		Installation height (Bottom edge of wall bracket) (mm)	: 2600	mm
		overhang straight (mm)	: 150	mm
		Total depth (mm)	: 2277	mm
		Depth up to inner edge of post (mm)	: 2092	mm
		projection [mm]	: 2300	mm
		Pitch of roof	: 14,8	Degree(s)
		Basic colour	: RAL 9005 deep black	
				9.542,00

Dessin

real-design	: WE3-573	bordeaux plain
cloth type	: longitudinal seam	
Glue fabric?	: no, sewn fabric	
colour of thread Tenara	: dark grey	

operation

type of control	: engine	
Side of control (seen from the front)	: motors centered	
With remote control BiConnect	: Yes! Please remind the separate order!	
connection cable	: 118822-0000 Kabel 3G1 L3200 OE/STAK3	
electrical engine connection	: 117543 Kabel 4G0.75 L340 AMP4/C-Plug	
Hirschmann plug tight?	: Hirschmann plug not assembled	28,00

attachment

Wall fixing (2 pieces standard)	: 4	Piece
Extraction force per fixing bracket	: 1	kN



weinor Ltd 73 Cornhill EC3V 3QQ London

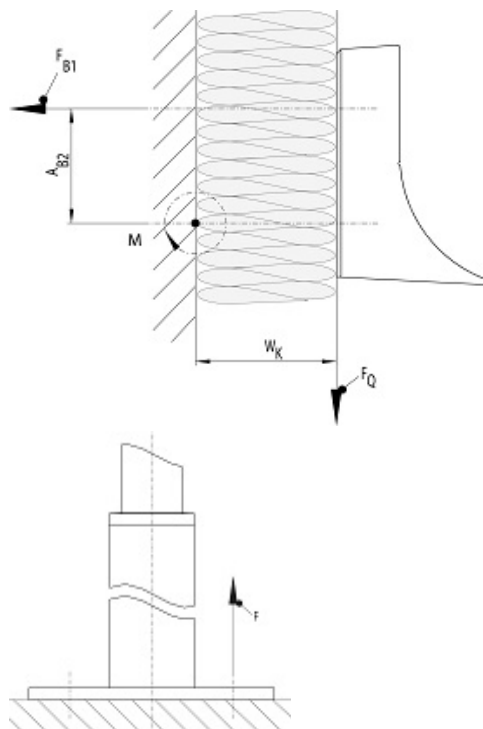
customer: 165708

sale offer 151186610

Page 3 of 8

pos quantity article code

Extraction force (wind suction) per post fixation	: 2,5	kN
Compressive force (wind pressure) per post fixation	: 2,5	kN
FQ = Shear force per fixing	: 2,265	kN



The maximum vertical load on the attachment points:

The maximum suction force at the middle post for extended system is approx. 3 kN, push force - approx. 4.5 kN.

The maximum suction force on the outer post for extended system is approx. 1.0 kN, push force - approx. 2.2 kN.

Volant Plus

- valance plus : with valance plus
- valance plus field 2 : with valance plus
- type of operation valance plus : crank

With Valance Plus with gear drive, the Valance Plus drop profile may close unevenly.

weinor Ltd
73 Cornhill
GB-EC3V 3QQ London
weinor.com

Managing Director:
Tim Fuldner
General partner:
Weinor Beteiligungs-GmbH
Köln

VAT no.: 335 2381 16
Company no.: 12193066
UTR no.: 33431 24084
EORI no.: GB335238116000

Domestic transfers:
Commerzbank London
Sort Code: 406201
Account Number: 307 537 10

International transfers:
Commerzbank London
IBAN: GB51 COBA 4062 0130 7537 10
Swift: MIDLGB22 a/c COBAGB2X

pos	quantity	article code		
		Operation side of valance plus	: Left	
		operation side of valance plus field 2	: right	
		Depth of valance plus	: 100	cm 1.806,00
		Valance Plus Collection	: WE(SCR)	screens by weinor
		Requested pattern, valance plus	: we7-104-325	bordeaux (extra-wide fabrics) 369,85
		Length of handle valance plus	: 100	cm

Pillar(s)

Please note : relocating of the posts is only possible with the standard post length of 2600 mm !

Number of fixed post	: 3	Piece
height of fixed post	: 2600	mm
Post attachment left	: 120226	post base plate standard
Post attachment right	: 120226	post base plate standard
Post attachment centre	: 120226	post base plate standard
post plate caps for post attachment left	: With	
post plate caps for post attachment right	: With	
post plate caps for post attachment middle	: With	
120226 post base plates Plaza Viva	: 3	Piece
101169 Cover cap for post plate weight	: 302	Piece kg
Cardboard container	: edges reinforcement	

value of goods	discount amount / %	net
11.745,85	4.698,34 / 40,00	7.047,51

weinor Ltd 73 Cornhill EC3V 3QQ London

customer: 165708

sale offer 151186610

Page 5 of 8

pos	quantity	article code
-----	----------	--------------

2	1,00	2557	BiConnect
---	------	------	-----------

Receiver for motor/ control	: 2	BiRec MA, basic	238,00
learned on channel 1	: weinor BiConnect BiEasy 5M black		131,00
	: BiRec MA-K, basic	for order 151186610/1: Plaza Viva OptiStretch engine left	
learned on channel 2	: BiRec MA-K, basic	for order 151186610/1: Plaza Viva OptiStretch engine right	

value of goods	discount amount / %	net
369,00	147,60 / 40,00	221,40

value of goods	discount amount	net	VAT (0 %)	Total GBP
12.114,85	4.845,94	7.268,91	0,00	7.268,91

weinor Ltd
73 Cornhill
GB-EC3V 3QQ London
weinor.com

Managing Director:
Tim Fuldner
General partner:
Weinor Beteiligungs-GmbH
Köln

VAT no.: 335 2381 16
Company no.: 12193066
UTR no.: 33431 24084
EORI no.: GB335238116000

Domestic transfers:
Commerzbank London
Sort Code: 406201
Account Number: 307 537 10

International transfers:
Commerzbank London
IBAN: GB51 COBA 4062 0130 7537 10
Swift: MIDLGB22 a/c COBAGB2X

pos quantity article code

In addition, our General Terms of Delivery and Payment as per 12/2021, published under the link provided below are valid and we are happy to provide you with them free of charge upon request.

<https://www.weinor.com/terms-and-conditions/>

This offer is valid until 29.02.2024

delivery exw Cologne
payment: Direct debit / 3 days - 4% cash discount
mode of dispatch UK export



weinor Ltd 73 Cornhill EC3V 3QQ London

customer: 165708

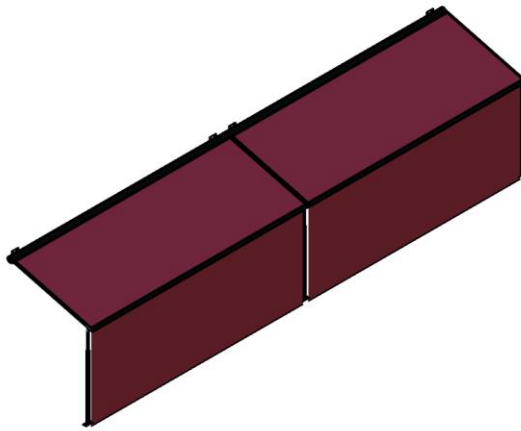
sale offer 151186610

Page 7 of 8

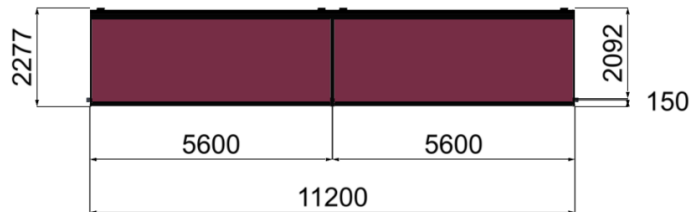
pos quantity article code

Position 1 - exterior view (images similar)

isometric view



top view



weinor Ltd
73 Cornhill
GB-EC3V 3QQ London
weinor.com

Managing Director:
Tim Földner
General partner:
Weinor Beteiligungs-GmbH
Köln

VAT no.: 335 2381 16
Company no.: 12193066
UTR no.: 33431 24084
EORI no.: GB335238116000

Domestic transfers:
Commerzbank London
Sort Code: 406201
Account Number: 307 537 10

International transfers:
Commerzbank London
IBAN: GB51 COBA 4062 0130 7537 10
Swift: MIDLGB22 a/c COBAGB2X



weinor Ltd 73 Cornhill EC3V 3QQ London

customer: 165708

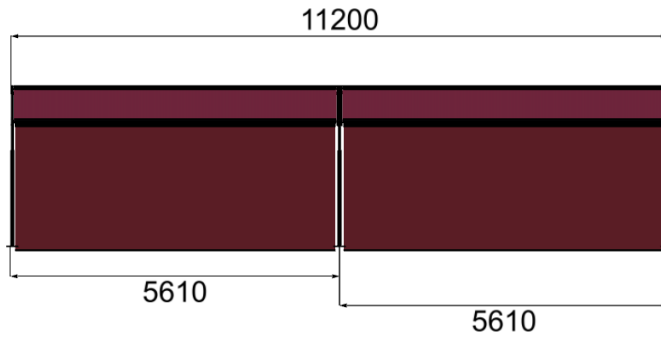
sale offer 151186610

Page 8 of 8

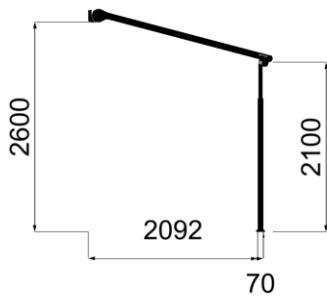
pos quantity article code

Position 1 - exterior view (images similar)

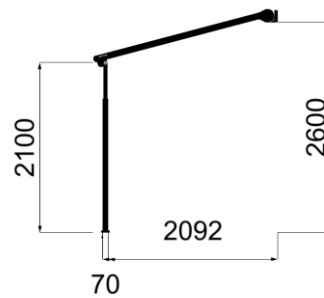
front view



side view left



side view right



weinor Ltd
73 Cornhill
GB-EC3V 3QQ London
weinor.com

Managing Director:
Tim Fuldner
General partner:
Weinor Beteiligungs-GmbH
Köln

VAT no.: 335 2381 16
Company no.: 12193066
UTR no.: 33431 24084
EORI no.: GB335238116000

Domestic transfers:
Commerzbank London
Sort Code: 406201
Account Number: 307 537 10

International transfers:
Commerzbank London
IBAN: GB51 COBA 4062 0130 7537 10
Swift: MIDLGB22 a/c COBAGB2X