



24, Avenue de Moka  
BP 30651  
35406 Saint Malo CEDEX  
FRANCE

Contact : BESEGHER ALICE ✉ : abesegher@morvanfils.com

**DELIVERY NOTE / POD**

Job Number : 2400905

Shipment Date : 02/03/2024

Delivery Date :

Ref :

11416001937

SUPPLIER	DELIVERY ADDRESS
<b>RENSON SUNPROTECTION SCREENS</b> KALKHOEVestraat 45 8790 WAREGEM BELGIQUE	<b>CP INTERIORS</b> RUE DES PRES TRADING ESTATE JE27QP JERSEY JERSEY Contact : SCOTT RUDERHAM ☎ : 01534 768141 ✉ : OFFICE@CPINTERIORS.JE

Nb / Type Colis No. & Kind of Packages				Description des marchandises / Description of goods	PBT / GWT (Kgs)	Dimensions (en mètres) / Measurements (in meters)				Trailer
Qty	Type	Qty	Type			Length	Width	Height	Vol.	
3	CAISSE(S)			PROTECTION SOLAIRE	1 060,00	4,24 5,24	0,75 0,75	0,80	5,09 3,14	MFT8-65 MFT8-65

*(Eagle Transport covered)*

*3x crates  
11-3-24*

RECEIVED  
11 MAR

SCANNED

*SO 1471502  
Gilmour*

*SO 14881*

*ivy construction*

**SPECIFIC INSTRUCTIONS :**

The boxes below (Delivery date, Print Name and Signature) must be completed upon reception

DELIVERY DATE	PRINT NAME	SIGNATURE

Received in good conditions unless otherwise specified here :

Jacob Surverying\_IVY Construction SO14881  
AA00229981

## Quote request

Project	Project ID	Requested by
Jacob Surverying	AA00229981	Rachel Allo 08/01/2024

### Quote Information

Invoice address	Quote reference	RIO ID
Rue des Pres. Tr. Est. 28  JE2 7QN Jersey elgium	Jacob Surverying_IVY Construction SO14881	AA00265998

### Quote details

1x	1 - Aero A horizontal, water-resistant sun protection roof with rotatable blades that can be integrated perfectly into new or existing structures.
----	---



Find the details of your quote on the next pages

## Details Attachment

Remote	Yes
Remote	Situo 1 IO Pure II
<b>Sensors</b>	
Wind sensor	No
Rain sensor	No

### STYLING

#### Colors

Color type of the structure and the columns	Textured
Colour category framework	Standard colors
Color of frame and columns	029/80271 - TIGER RAL9004 FINE TEXTURE
Color type of blades	Textured
Colour category blades	Standard colors
Color of blades	029/80271 - TIGER RAL9004 FINE TEXTURE

### TECHNICAL SPECS

#### General

Motor position	Pivot 1 (P1)
Drainage blade	Motor side
Blade rotation	Indirect sunlight

#### Water drainage

##### Corner 1A

Water drainage	Yes
Water drainage position	Drainage through gutter in P1
Position water drainage from corner 1A	700 mm

##### Corner 1B

Water drainage	No
----------------	----

##### Corner 2A

Water drainage	No
----------------	----

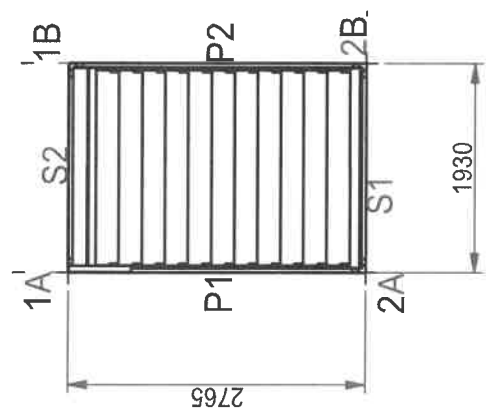
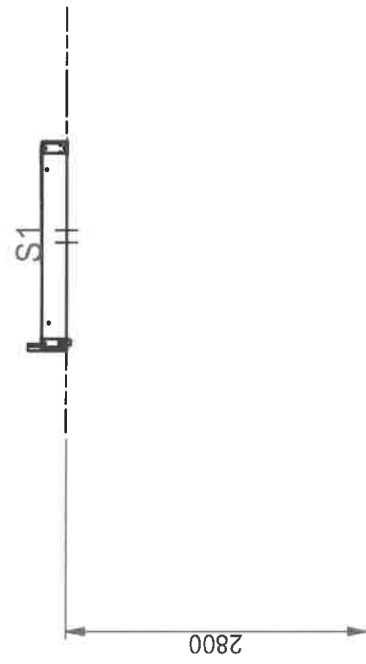
##### Corner 2B

Water drainage	No
----------------	----

#### Visibility

Visibility surface A	Yes
Visibility surface B	Yes
Visibility surface C	Yes

In the order drawing we integrate as much as possible any remarks and/or attachments. Remarks or attachments that can not be integrated in the order drawing will be considered when your order goes in





## Leeana Taft

---

**From:** Glen Flint <rbupholsteryltd@gmail.com>  
**Sent:** 08 September 2023 10:19  
**To:** Leeana Taft  
**Subject:** Re: Quote ref: SO14477 *FLAG HOUSE*

Hi leeana  
That works out to £140

Thanks, glen

On Fri, 8 Sep 2023 at 10:13, Leeana Taft <[Leeana@cpinteriors.ie](mailto:Leeana@cpinteriors.ie)> wrote:

Hi

Please can I have a quote for the below seat cushion in plain fabric, self-piped with a concealed zip.

Width 675mm

Depth 395mm

Thickness 70mm foam with Dacron wadding so feels more luxurious

Thanks

## Order confirmation

<b>Confirmation date</b>	10.01.2024	CP Interiors
<b>Order number</b>	30628	St. Saviour
<b>Customer number</b>	1001334	28 Rue des Pres. Tr. Est.
<b>Your VAT number</b>		JE2 7QN JERSEY
<b>Currency</b>	GBP	JERSEY
<b>Project reference</b>	GILMOUR	
<b>Order reference</b>	SO14715Q2	
<b>Latest delivery date</b>	01.03.2024	

<b>Incoterms</b>	DAP Jersey	<b>Delivery address</b> CP Interiors St. Saviour 28 Rue des Pres. Tr. Est. JE2 7QN JERSEY JERSEY
------------------	---------------	---

## Overview

Material	Quantity	Net amount	VAT %
001000 ALG3 ALGARVE	1,00 PC	11.088,00	

<b>Total before VAT</b>	<b>11.088,00</b>
<b>VAT</b>	<b>0,00</b>
<b>Total incl. VAT</b>	<b>11.088,00</b>

Free of VAT, export

### PAYMENT INFORMATION

Payment term 30 days end of month

For questions or remarks regarding this document, please send an email to [info@renson.be](mailto:info@renson.be)

The General Terms and Conditions of Sale are integral part of our agreement. See Professional Portal at <http://www.renson.eu/>

## Order confirmation

30628

10.01.2024

---

Transmitter	Situo 5 VAR IO Pure
Rain sensor	Ceramic rain sensor
<b>Styling</b>	
<b>Design</b>	
Design	Standard design
<b>Colors</b>	
Color category framework	Standard colors
Color code frame and columns	029/73205-TIGER RAL7004 FINE TEXTURE
Color category blades	Standard colors
Color of roof blades	AE30009002323-AXALTA BEL9010 MATT REYNAERS
<b>Technical specs</b>	
<b>General</b>	
Motor position	Pivot 1 (P1)
Drainage blade	Non-motor side
Blade rotation	Direct sunlight
<b>Columns</b>	
Mounting base 1A	Invisible reinforced
Mounting base 1B	Invisible reinforced
Mounting base 2A	Invisible reinforced
Mounting base 2B	Invisible reinforced
Direction of water drainage 1B	Pivot
Direction of water drainage 2B	Pivot
Height water drainage 1B	66 mm
Height water drainage 2B	66 mm

---