

weinor Ltd 73 Cornhill EC3V 3QQ London

C P Interiors

**Rue Des Pres Trading Estate
GB-JE2 7QN St Saviour Jersey**

delivery address

DSV Road Ltd
(NO UPS)
10 Brunel Way, Segensworth Industrial Estate
GB-PO15 5TX Hampshire, Fareham
NO UPS

ORDER CONFIRMATION (release 1)

sales order no.: 202808756 of 20.12.2023
customer: 165708
reference: Cafe Jac
Your order no.: SO14241Q1
contact person: William Abbott
E-Mail: WAbbott@weinor.de
phone number: +49-221-59709-472
representat. 654 Chris Spickett
tel (representat.): 0044 (0) 7894443907

pos	quantity	article code
-----	----------	--------------

1	1,00	1883	Opal Design II
---	------	------	----------------

Anticipated delivery	: 19.02.2024		
Product use	: for other commercial use		
width [cm]	: 600	cm	
Projection [cm]	: 400	cm	3.847,00
Basic colour	: WT029/80077 Approx. DB 703 Metallic		
Folding arm design	: Arm with LongLife technology and high-tech belt		
no. of arms	: 2	arms	
insulation [mm]	: 0	mm	
bracket type 1	: wall fixing 150 mm Opal Design II		
number of brackets 1	: 3	Piece	117,00

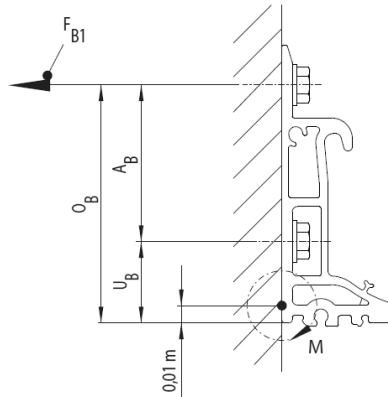
weinor Ltd
73 Cornhill
GB-EC3V 3QQ London
weinor.com

Managing Director:
Thilo Weiermann
General partner:
Weinor Beteiligungs-GmbH
Köln

VAT no.: 335 2381 16
Company no.: 12193066
UTR no.: 33431 24084
EORI no.: GB335238116000

Domestic transfers:
Commerzbank London
Sort Code: 406201
Account Number: 307 537 10

International transfers:
Commerzbank London
IBAN: GB51 COBA 4062 0130 7537 10
Swift: MIDLGB22 a/c COBAGB2X



Force 1 means the pull-out force per upper fastener F(B).

FB1 Force 1 per fixing point	: 5487	N
M = Torque per folding arm	: 1394	Nm

Please note that your selected awning configuration results in the following forces per upper fixing point (pull-out, lateral and/or shear forces). These must be accounted for by using suitable fixings.

bracket position left 1st array	: 43,4	cm
bracket position center 1st array	: 300	cm
bracket position right 1st array	: 43,4	cm
type of control	: engine	
Side of control (seen from the front)	: Left	
With remote control BiConnect	: Yes! Please remind the separate order!	
Information on BiConnect	: The BiConnect has been done in 202808756 position 3!	
connection cable	: 118841-0000 Kabel 3G1 L4200 OE/STAK3	
Hirschmann plug?	: Hirschmann plug not assembled	14,00
Type of engine	: Motor L50-17-E12-V1+ ohne Zubehör	
wall connection	: with wall connection	102,00
real-design	: WE3-860	fern, my collections 2
colour of thread Saba	: lindgrün	
Cardboard container	: edges reinforcement	
weight	: 94	kg

weinor Ltd 73 Cornhill EC3V 3QQ London

customer: 165708 sales order 202808756

Page 3 of 7

pos quantity article code

value of goods	discount amount / %	net
4.080,00	1.632,00 / 40,00	2.448,00

weinor Ltd
73 Cornhill
GB-EC3V 3QQ London
weinor.com

Managing Director:
Thilo Weiermann
General partner:
Weinor Beteiligungs-GmbH
Köln

VAT no.: 335 2381 16
Company no.: 12193066
UTR no.: 33431 24084
EORI no.: GB335238116000

Domestic transfers:
Commerzbank London
Sort Code: 406201
Account Number: 307 537 10

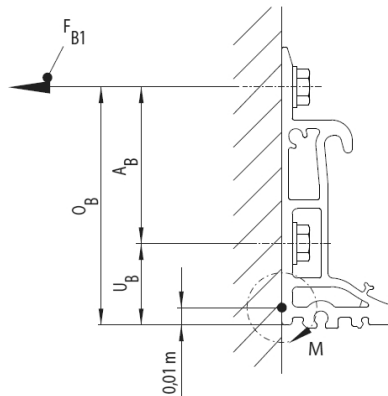
International transfers:
Commerzbank London
IBAN: GB51 COBA 4062 0130 7537 10
Swift: MIDLGB22 a/c COBAGB2X

pos	quantity	article code
-----	----------	--------------

2	1,00	1883	Opal Design II
---	------	------	----------------

Right side

Anticipated delivery	:	19.02.2024	
Product use	:	for other commercial use	
width [cm]	:	600	cm
Projection [cm]	:	400	cm
Basic colour	:	WT029/80077 Approx. DB 703 Metallic	3.847,00
Folding arm design	:	Arm with LongLife technology and high-tech belt	
no. of arms	:	2	arms
insulation [mm]	:	0	mm
bracket type 1	:	wall fixing 150 mm Opal Design II	
number of brackets 1	:	3	Piece
			117,00



Force 1 means the pull-out force per upper fastener F(B).

FB1 Force 1 per fixing point	:	5487	N
M = Torque per folding arm	:	1394	Nm

Please note that your selected awning configuration results in the following forces per upper fixing point (pull-out, lateral and/or shear forces). These must be accounted for by using suitable fixings.

bracket position left 1st array	:	43,4	cm
bracket position center 1st array	:	300	cm
bracket position right 1st array	:	43,4	cm

weinor Ltd 73 Cornhill EC3V 3QQ London

customer: 165708 sales order 202808756

Page 5 of 7

pos	quantity	article code
-----	----------	--------------

type of control	:	engine	
Side of control (seen from the front)	:	right	
With remote control BiConnect	:	Yes! Please remind the separate order!	
Information on BiConnect	:	The BiConnect has been done in 202808756 position 3!	
connection cable	:	118841-0000 Kabel 3G1 L4200 OE/STAK3	
Hirschmann plug?	:	Hirschmann plug not assembled	14,00
Type of engine	:	Motor L50-17-E12-V1+ ohne Zubehör	
wall connection	:	with wall connection	102,00
real-design	:	WE3-860 fern, my collections 2	
colour of thread Saba	:	lindgrün	
Cardboard container	:	edges reinforcement	
weight	:	94	kg

value of goods	discount amount / %	net
4.080,00	1.632,00 / 40,00	2.448,00

weinor Ltd
73 Cornhill
GB-EC3V 3QQ London
weinor.com

Managing Director:
Thilo Weiermann
General partner:
Weinor Beteiligungs-GmbH
Köln

VAT no.: 335 2381 16
Company no.: 12193066
UTR no.: 33431 24084
EORI no.: GB335238116000

Domestic transfers:
Commerzbank London
Sort Code: 406201
Account Number: 307 537 10

International transfers:
Commerzbank London
IBAN: GB51 COBA 4062 0130 7537 10
Swift: MIDLGB22 a/c COBAGB2X

weinor Ltd 73 Cornhill EC3V 3QQ London

customer: 165708 sales order 202808756

Page 6 of 7

pos	quantity	article code
-----	----------	--------------

3	1,00	2557	BiConnect
---	------	------	-----------

Anticipated delivery : 19.02.2024

deliver BiConnect separate? : No; supply receiver and handheld remote control with awning

shipment info : The pre set receivers (except LED) and the handset will be packed with contract number 202808756 pos 1!

Receiver for motor/ : 2 BiRec MA, basic 232,00

control : weinor BiConnect BiEasy 5M silver 127,00

learned on channel 1 : BiRec MA-K, basic for order 202808756/1:
Opal Design II engine leftlearned on channel 2 : BiRec MA-K, basic for order 202808756/2:
Opal Design II engine right

No. of BiSens Agido-3V : 2 Piece 324,00

value of goods	discount amount / %	net
683,00	273,20 / 40,00	409,80

999 1,00 127887-0000 net material cost surcharge

Pos 1 - Opal Design II - 48,00 GBP 96,00

Pos 2 - Opal Design II - 48,00 GBP

value of goods	discount amount / %	net
96,00	0,00 / 0,00	96,00

weinor Ltd
73 Cornhill
GB-EC3V 3QQ London
weinor.com

Managing Director:
Thilo Weiermann
General partner:
Weinor Beteiligungs-GmbH
Köln

VAT no.: 335 2381 16
Company no.: 12193066
UTR no.: 33431 24084
EORI no.: GB335238116000

Domestic transfers:
Commerzbank London
Sort Code: 406201
Account Number: 307 537 10

International transfers:
Commerzbank London
IBAN: GB51 COBA 4062 0130 7537 10
Swift: MIDLGB22 a/c COBAGB2X

pos	quantity	article code
-----	----------	--------------

value of goods	discount amount	net	VAT (0 %)	Total GBP
8.939,00	3.537,20	5.401,80	0,00	5.401,80

Our spoken and written advice focuses on an explanation of the best possible use of our products and services. It does not liberate you from the obligation to check fitness of our products and services for your particular purpose. That includes the inspection of the general condition and especially maximum capacity load of fixing base as well as forwarding all respective information in addition to your order to weinor. That way delivery of the correct type and number of brackets is guaranteed. If our product can not be used as upon agreement due to false or lacking information we or any auxiliary person do accept contractual or non-contractual liabilities only in case of malicious intent or gross negligence.

In addition, our General Terms of Delivery and Payment as per 12/2021, published under the link provided below are valid and we are happy to provide you with them free of charge upon request.

<https://www.weinor.com/terms-and-conditions/>

delivery exw Cologne
 payment: With direct debit 5% discount payment
 mode of dispatch UK export