



February 22, 2023

REF : SO14333

Mr. Brendan Kellett
The Penthouse
Sandy Lane
Victoria Avenue
St Helier
JE2 3LU

CUS. REF : Awning

Dear Mr. Brendan Kellett

As requested, we have pleasure in submitting our quotation for the following.

Description	QTY	Price
Balcony. To Supply and Fit ,Awning / Canopy, Cassita II full cassette electrical operated awning, with vibration sensor, powder coater frame in RAL 7016 Anthracite Grey, with a trend and acrylic fabric My Colletion A4-689. Width 2.9m x 1.6m projection, including remote control.	1	£ 3,810.00
.. Electrical works not included.		
	Subtotal :	£ 3,810.00
	GST :	£ 190.50
	Total :	£ 4,000.50

As with all our custom orders, we will require a deposit of 50%. All prices are subject to GST.

Our Price Promise to you, we will beat any written quotation by 5% (on equivalent specification).

Thank you for your enquiry and we hope you will find this quotation acceptable. Should you require any further information, please contact us.

Yours sincerely
Tamara

To accept the above quotation, please indicate which option is required, sign below and return this letter together with your deposit. Please note extract of our terms and conditions below.

.....
SIGNATURE **DATE**

Please note: This quotation is only valid for acceptance for 7 days. Our estimate does not include any electrical work or additional carpentry work to install the above unless otherwise specified. Please note there is a handling charge on customer own fabric of £5 per metre. Due to high costs of labour, pre-arranged missed fitting appointments will be charged on a time-wasted basis. Settlement is due on completion of works and an administration charge of £25 will be added per month if unpaid within 30 days. We reserve the right to charge for design, advice and liaison work carried out should an order not be placed. Goods remain the property of CP Interiors until full settlement is received. Should payment not be received we reserve the right to attend premises during working hours to remove goods and not be required to make good. Our full terms and conditions apply and are available on request.

As we no longer accept cheques, please do:

- Call us and pay by Card, we accept card transactions over the telephone and we will not charge you a handling fee.
- Bank details: Natwest, Sort Code 60-12-03, Account No 66577772 Carpet Protection (C.I) Ltd T/A CP Interiors

If you pay your deposit by BACS payment, please confirm the details of your order by returning a signed copy of this letter

Tel : (01534) 768141

www.cpinteriors.je

Rue des Pres Trading Estate, St Saviour, Jersey, JE2 7QN

weinor Ltd 73 Cornhill EC3V 3QQ London

C P Interiors

**Rue Des Pres Trading Estate
GB-JE2 7QN St Saviour Jersey**

delivery address

DSV Road Ltd
(NO UPS)
10 Brunel Way, Segensworth Industrial Estate
GB-PO15 5TX Hampshire, Fareham
NO UPS

ORDER CONFIRMATION (release 1)

sales order no.: 202738280 of 28.02.2023
customer: 165708
reference: **Brendan Kelfett**
Your order no.: **SO14333**
contact person: William Abbott
E-Mail: WAbbott@weinor.de
phone number: +49-221-59709-472
representat. 654 Chris Spickett
tel (representat.): 0044 (0) 7894443907

pos	quantity	article code	
-----	----------	--------------	--

1	1,00	1303	Cassita II
---	------	------	------------

Anticipated delivery	:	10.04.2023		
Product use	:	private house		
width [cm]	:	290	cm	
Projection [cm]	:	160	cm	2.049,00
Basic colour	:	RAL 7016 Anthracite grey		
	:			
no. of arms	:	2	Piece	
insulation [mm]	:	0	mm	
bracket type 1	:	wall fixing		
number of brackets 1	:	2	Piece	56,00

weinor Ltd
73 Cornhill
GB-EC3V 3QQ London
weinor.com

Managing Director:
Thilo Weiermann
General partner:
Weinor Beteiligungs-GmbH
Köln

VAT no.: 335 2381 16
Company no.: 12193066
UTR no.: 33431 24084
EORI no.: GB335238116000

Domestic transfers:
Commerzbank London
Sort Code: 406201
Account Number: 307 537 10

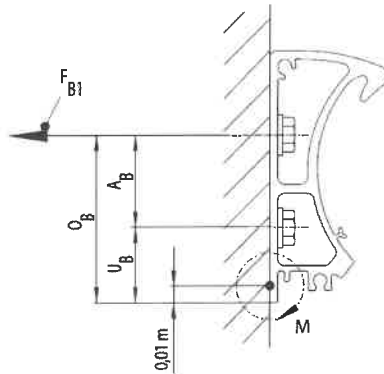
International transfers:
Commerzbank London
IBAN: GB51 COBA 4062 0130 7537 10
Swift: MIDLGB22 a/c COBAGB2X

weinor Ltd 73 Cornhill EC3V 3QQ London

customer: 165708 sales order 202738280

Page 2 of 4

pos	quantity	article code
-----	----------	--------------



Force 1 means the pull-out force per upper fastener F(B).

FB1 Force 1 per fixing point	: 686	N
M = Torque per folding arm	: 124	Nm

Please note that your selected awning configuration results in the following forces per upper fixing point (pull-out, lateral and/or shear forces). These must be accounted for by using suitable fixings.

bracket position left [mm]	: 90	mm
bracket position right [mm]	: 90	mm
arm position left	: 58	mm
arm position right	: 58	mm

type of control	: engine
-----------------	----------

Side of control (seen from the front)	: right
---------------------------------------	---------

With remote control BiConnect	: Yes! Please remind the separate order!
-------------------------------	--

Information on BiConnect	: The BiConnect has been done in 202738280 position 2!
--------------------------	--

electrical engine connection	: 112865-0000 Kabel 4G0.75 L400 STAS3/C-Plug
------------------------------	--

Hirschmann plug?	: Hirschmann plug not assembled	14,00
------------------	---------------------------------	-------

Type of engine	: Motor R30-17-E12-V1+ ohne Zubehör mit Steckzapfen
----------------	---

real-design	: WE4-689	limestone/quartz, my collections 2
-------------	-----------	------------------------------------

colour of thread Saba	: RAL 7001 Silver grey
-----------------------	------------------------

Cardboard container	: edges reinforcement
---------------------	-----------------------

weinor Ltd
73 Cornhill
GB-EC3V 3QQ London
weinor.com

Managing Director:
Thilo Weiermann
General partner:
Weinor Beteiligungs-GmbH
Köln

VAT no.: 335 2381 16
Company no.: 12193066
UTR no.: 33431 24084
EORI no.: GB335238116000

Domestic transfers:
Commerzbank London
Sort Code: 406201
Account Number: 307 537 10

International transfers:
Commerzbank London
IBAN: GB51 COBA 4062 0130 7537 10
Swift: MIDLGB22 a/c COBAGB2X

weinor Ltd 73 Cornhill EC3V 3QQ London

customer: 165708 sales order 202738280

Page 3 of 4

pos	quantity	article code	
	weight		: 38 kg
	value of goods	discount amount / %	net
	2.119,00	847,60 / 40,00	1.271,40

2 1,00 2557 BiConnect

Anticipated delivery : 10.04.2023

deliver BiConnect separate? : No; supply receiver and handheld remote control with awning

shipment info : The pre set receivers (except LED) and the handset will be packed with contract number 202738280 pos 1!

Receiver for motor/ : 1 BiRec MA, basic 116,00

control : BiConnect BiEasy 1M (silver version) 104,00

learned on channel 1 : weinor BiConnect BiRec MA for order 202738280/1: with black cable Cassita II engine right

No. of BiSens Agido-3V : 1 Piece 162,00

value of goods	discount amount / %	net
382,00	152,80 / 40,00	229,20

999 1,00 127887-0000 net material cost surcharge

price per unit : 23,2 23,20

Pos 1 - Cassita II - 23,20 GBP 23,20

value of goods	discount amount / %	net
23,20	0,00 / 0,00	23,20

weinor Ltd
73 Cornhill
GB-EC3V 3QQ London
weinor.com

Managing Director:
Thilo Weiermann
General partner:
Weinor Beteiligungs-GmbH
Köln

VAT no.: 335 2381 16
Company no.: 12193066
UTR no.: 33431 24084
EORI no.: GB335238116000

Domestic transfers:
Commerzbank London
Sort Code: 406201
Account Number: 307 537 10

International transfers:
Commerzbank London
IBAN: GB51 COBA 4062 0130 7537 10
Swift: MIDLGB22 a/c COBAGB2X

weinor Ltd 73 Cornhill EC3V 3QQ London

customer: 165708 sales order 202738280

Page 4 of 4

pos	quantity	article code
-----	----------	--------------

value of goods	discount amount	net	VAT (0 %)	Total GBP
2.524,20	1.000,40	1.523,80	0,00	1.523,80

Our spoken and written advice focuses on an explanation of the best possible use of our products and services. It does not liberate you from the obligation to check fitness of our products and services for your particular purpose. That includes the inspection of the general condition and especially maximum capacity load of fixing base as well as forwarding all respective information in addition to your order to weinor. That way delivery of the correct type and number of brackets is guaranteed. If our product can not be used as upon agreement due to false or lacking information we or any auxiliary person do accept contractual or non-contractual liabilities only in case of malicious intent or gross negligence.

In order to mount all brackets corresponding their fixing base you will need suitable mounting systems. For mounting on concrete C20/25 we recommend heavy duty anchor-systems from fischer (e.g. FAZ II M12/10 GS or FAZ II M12/30 GS). In case of mounting on any other base referred to in our pricelist or on frontal concrete ceiling we recommend the use of injection systems from fischer (e.g. FIS V 360 S). You can order them directly from us.

If you use a different mounting system or your own brackets, you will need a table of pull-out resistance of screw anchors in order to determine the working load.

In addition, our General Terms of Delivery and Payment as per 12/2021, published under the link provided below are valid and we are happy to provide you with them free of charge upon request.

<https://www.weinor.com/terms-and-conditions/>

delivery exw Cologne
 payment: With direct debit 5% discount payment
 mode of dispatch UK export

weinor Ltd
 73 Cornhill
 GB-EC3V 3QQ London
 weinor.com

Managing Director:
 Thilo Weiermann
 General partner:
 Weinor Beteiligungs-GmbH
 Köln

VAT no.: 335 2381 16
 Company no.: 12193066
 UTR no.: 33431 24084
 EORI no.: GB335238116000

Domestic transfers:
 Commerzbank London
 Sort Code: 406201
 Account Number: 307 537 10

International transfers:
 Commerzbank London
 IBAN: GB51 COBA 4062 0130 7537 10
 Swift: MIDLGB22 a/c COBAGB2X

Configuration details

weinor Ltd 73 Cornhill EC3V 3QQ London

C P Interiors

Rue Des Pres Trading Estate
GB-JE2 7QN St Saviour Jersey

sales order no.: 503567713
reference: Brendan Kellett
Your order no.: SO14333
weinor customernumber: 165708
creation Date: 22.02.2023
weinor pers. in charge: William Abbott
phone / fax number: +49-221-59709-472
representat.: Chris Spickett
tel (representat.): 0044 (0) 7894443907

pos	quantity	article	price
1	1	weinor Cassita II	2.119,00
		Product use : private house	
		width [cm] : 290 cm ↓	
		Projection [cm] : 160 cm ↓	2.049,00
		Basic colour : RAL 7016 Anthracite grey ↓	
		no. of arms : 2 Piece	
		insulation [mm] : 0 mm	
		bracket type 1 : wall fixing	
		number of brackets 1 : 2 Piece	56,00
		FB1 Force 1 per fixing point : 686 N	
		M = Torque per folding arm : 124 Nm	
		bracket position left [mm] : 90 mm	
		bracket position right [mm] : 90 mm	
		arm position left : 58 mm	
		arm position right : 58 mm	
		type of control : engine	
		Side of control (seen from the front) : right ↓	
		With remote control BiConnect : Yes! Please remind the separate order!	
		Information on BiConnect : The BiConnect has been done in 503567713 position 2!	
		electrical engine connection : 112865-0000 Kabel 4G0.75 L400 STAS3/C-Plug	
		Hirschmann plug? : Hirschmann plug not assembled	14,00
		Type of engine :	
		real-design : WE4-689 ↓	
		colour of thread Saba : RAL 7001 Silver grey	
		Cardboard container : edges reinforcement	
		weight : 38 kg	

weinor Ltd
73 Cornhill
GB-EC3V 3QQ London
weinor.com

Managing Director:
Thilo Weiermann
General partner:
Weinor Beteiligungs-GmbH
Köln

VAT no.: 335 2381 16
Company no.: 12193066
UTR no.: 33431 24084
EORI no.: GB335238116000

Domestic transfers:
Commerzbank London
Sort Code: 406201
Account Number: 307 537 10

International transfers:
Commerzbank London
IBAN: GB51 COBA 4062 0130 7537 10
Swift: MIDLGB22 a/c COBAGB2X

Configuration details

weinor Ltd 73 Cornhill EC3V 3QQ London

customer: 165708 reference: Brendan Kellett Page 2 of 2

pos	quantity	article			price
-----	----------	---------	--	--	-------

		value of goods	discount amount / %		net
		2.119,00	847,60 /	40,00	1.271,40

2	1	weinor BiConnect			382,00
----------	----------	-------------------------	--	--	---------------

deliver BiConnect separate?	: No; supply receiver and handheld remote control with awning				
shipment info	: The pre set receivers (except LED) and the handset will be packed with contract number 503567713 pos 1!				
Receiver for motor/ control	: 1 BiRec MA, basic				116,00
learned on channel 1	: weinor BiConnect BiEasy 1M silver				104,00
No. of BiSens Agido-3V	: weinor BiConnect BiRec MA with black cable for order 503567713/1: Cassita II engine right				162,00
	: 1 Piece				

		value of goods	discount amount / %		net
		382,00	152,80 /	40,00	229,20

999	1	weinor Netto-Materialkostenzuschlag			23,20
------------	----------	--	--	--	--------------

price per unit	: 23,2				23,20
	Pos 1 - Cassita II - 23,20 GBP				

At least one item from your order has been ordered for approval. The later valid net material cost surcharge cannot currently be calculated and may differ from the value specified here.

		value of goods	discount amount / %		net
		23,20	0,00 /	0,00	23,20

value of goods GBP	discount amount	net GBP	VAT (0 %)	Total GBP
2.524,20	1.000,40	1.523,80	0,00	1.523,80



1	1 x Cassita II	1,271.40 GBP		
2	1 x BiConnect	229.20 GBP		
999	1x net material cost surcharge	23.20 GBP		

£1523.8 x 2.5 = £3800

