

weinor Ltd 73 Cornhill EC3V 3QQ London

C P Interiors

**Rue Des Pres Trading Estate
GB-JE2 7QN St Saviour Jersey**

delivery address


DSV Road Ltd
(NO UPS)
10 Brunel Way, Segensworth Industrial Estate
GB-PO15 5TX Hampshire, Fareham
NO UPS

ORDER CONFIRMATION (release 1)

sales order no.: 202738280 of 28.02.2023
customer: 165708
reference: Brendan Kellett
Your order no.: SO14333
contact person: William Abbott
E-Mail: WAbbott@weinor.de
phone number: +49-221-59709-472
representat. 654 Chris Spickett
tel (representat.): 0044 (0) 7894443907

pos	quantity	article code
-----	----------	--------------

1	1,00	1303 Cassita II
---	------	-----------------

Anticipated delivery	: 10.04.2023		
Product use	: private house		
width [cm]	: 290	cm	
Projection [cm]	: 160	cm	2.049,00
Basic colour	: RAL 7016 Anthracite grey		
	: 		
no. of arms	: 2	Piece	
insulation [mm]	: 0	mm	
bracket type 1	: wall fixing		
number of brackets 1	: 2	Piece	56,00

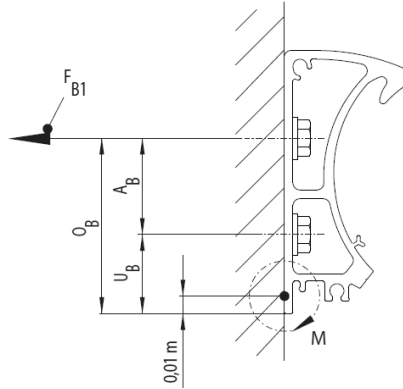
weinor Ltd
73 Cornhill
GB-EC3V 3QQ London
weinor.com

Managing Director:
Thilo Weiermann
General partner:
Weinor Beteiligungs-GmbH
Köln

VAT no.: 335 2381 16
Company no.: 12193066
UTR no.: 33431 24084
EORI no.: GB335238116000

Domestic transfers:
Commerzbank London
Sort Code: 406201
Account Number: 307 537 10

International transfers:
Commerzbank London
IBAN: GB51 COBA 4062 0130 7537 10
Swift: MIDLGB22 a/c COBAGB2X



Force 1 means the pull-out force per upper fastener F(B).

FB1 Force 1 per fixing point	: 686	N
M = Torque per folding arm	: 124	Nm

Please note that your selected awning configuration results in the following forces per upper fixing point (pull-out, lateral and/or shear forces). These must be accounted for by using suitable fixings.

bracket position left [mm]	: 90	mm
bracket position right [mm]	: 90	mm
arm position left	: 58	mm
arm position right	: 58	mm
type of control	: engine	
Side of control (seen from the front)	: right	
With remote control BiConnect	: Yes! Please remind the separate order!	
Information on BiConnect	: The BiConnect has been done in 202738280 position 2!	
electrical engine connection	: 112865-0000 Kabel 4G0.75 L400 STAS3/C-Plug	
Hirschmann plug?	: Hirschmann plug not assembled	14,00
Type of engine	: Motor R30-17-E12-V1+ ohne Zubehör mit Steckzapfen	
real-design	: WE4-689	limestone/quartz, my collections 2
colour of thread Saba	: RAL 7001 Silver grey	
Cardboard container	: edges reinforcement	

weinor Ltd 73 Cornhill EC3V 3QQ London

customer: 165708 sales order 202738280

Page 3 of 4

pos	quantity	article code
-----	----------	--------------

weight	: 38	kg
--------	------	----

value of goods	discount amount / %	net
2.119,00	847,60 / 40,00	1.271,40

2	1,00	2557	BiConnect
---	------	------	-----------

Anticipated delivery : 10.04.2023

deliver BiConnect separate? : No; supply receiver and handheld remote control with awning

shipment info : The pre set receivers (except LED) and the handset will be packed with contract number 202738280 pos 1!

Receiver for motor/ control	: 1	BiRec MA, basic	116,00
learned on channel 1	: BiConnect BiEasy 1M (silver version)		104,00
No. of BiSens Agido-3V	: 1	Piece	162,00

value of goods	discount amount / %	net
382,00	152,80 / 40,00	229,20

999	1,00	127887-0000	net material cost surcharge
-----	------	-------------	-----------------------------

price per unit : 23,2 23,20

Pos 1 - Cassita II - 23,20 GBP 23,20

value of goods	discount amount / %	net
23,20	0,00 / 0,00	23,20

weinor Ltd
73 Cornhill
GB-EC3V 3QQ London
weinor.com

Managing Director:
Thilo Weiermann
General partner:
Weinor Beteiligungs-GmbH
Köln

VAT no.: 335 2381 16
Company no.: 12193066
UTR no.: 33431 24084
EORI no.: GB335238116000

Domestic transfers:
Commerzbank London
Sort Code: 406201
Account Number: 307 537 10

International transfers:
Commerzbank London
IBAN: GB51 COBA 4062 0130 7537 10
Swift: MIDLGB22 a/c COBAGB2X

pos	quantity	article code
-----	----------	--------------

value of goods	discount amount	net	VAT (0 %)	Total GBP
2.524,20	1.000,40	1.523,80	0,00	1.523,80

Our spoken and written advice focuses on an explanation of the best possible use of our products and services. It does not liberate you from the obligation to check fitness of our products and services for your particular purpose. That includes the inspection of the general condition and especially maximum capacity load of fixing base as well as forwarding all respective information in addition to your order to weinor. That way delivery of the correct type and number of brackets is guaranteed. If our product can not be used as upon agreement due to false or lacking information we or any auxiliary person do accept contractual or non-contractual liabilities only in case of malicious intent or gross negligence.

In order to mount all brackets corresponding their fixing base you will need suitable mounting systems. For mounting on concrete C20/25 we recommend heavy duty anchor-systems from fischer (e.g. FAZ II M12/10 GS or FAZ II M12/30 GS). In case of mounting on any other base referred to in our pricelist or on frontal concrete ceiling we recommend the use of injection systems from fischer (e.g. FIS V 360 S). You can order them directly from us.

If you use a different mounting system or your own brackets, you will need a table of pull-out resistance of screw anchors in order to determine the working load.

In addition, our General Terms of Delivery and Payment as per 12/2021, published under the link provided below are valid and we are happy to provide you with them free of charge upon request.

<https://www.weinor.com/terms-and-conditions/>

delivery exw Cologne
 payment: With direct debit 5% discount payment
 mode of dispatch UK export