



# CP INTERIORS

March 03,2023

REF : SO14203Q1

Health & Social Services  
Finance & ICT Services  
Peter Crill House  
Gloucester Street  
St Helier  
JE1 3QS

CUS. REF : PO 4600009997 Greenfields Children Secure  
Centre. La Grande Route de St Martin

Rollers ✓

Dear Ms. Dee Hansford

As requested, we have pleasure in submitting our quotation for the following.

Description	QTY	Price
<b>Visiting Room,</b> To Supply and Fit ,Roller blind, in Unishade Blockout FR fabric in Charcoal. Manually operated with a right hand side silver chain ✓	3	£ 426.00
<b>Sensory Room,</b> To Supply and Fit ,Roller blind, in Unishade Blockout FR fabric in Charcoal. Manually operated with a left hand side silver chain ✓	1	£ 158.00
<b>Sensory Room,</b> To Supply and Fit ,Roller blind, in Unishade Blockout FR fabric in Charcoal. Manually operated with a right hand side silver chain ✓	1	£ 158.00
<b>Games Room,</b> To Supply and Fit ,Roller blind, in Unishade Blockout FR fabric in Charcoal. Manually operated with a right hand side silver chain ✓	1	£ 309.00
<b>Lounge,</b> To Supply and Fit ,Curtain, Pair of machine finished curtains, in a dimout fabric of your choice, with a tdouble pleat header and FR standard lining. ✓	1	£ 444.00
→ <b>Lounge,</b> To Supply and Fit ,Curtain Pole / Track, Silent Gliss SG6290 Safety Track in white. Hand operation and top fix	1	£ 98.00
<b>Lounge,</b> To Supply and Fit ,Curtain, Pair of machine finished curtains, in a dimout fabric of your choice, with a double pleat header and FR standard lining. ✓	1	£ 862.00
→ <b>Lounge,</b> To Supply and Fit ,Curtain Pole / Track, Silent Gliss SG6290 Safety Track in white. Hand operation and top fix	1	£ 156.00
<b>Lounge,</b> Fabric, 15.5m of Sekers Re-New 08 Azure FR Dim Out @£90 per metre, ✓	1	£ 1,395.00
<b>Lounge,</b> To Supply and Fit ,Roller blind, in Unishade Blockout FR fabric in Charcoal. Manually operated with a right hand side silver chain ✓	1	£ 158.00
<b>Lounge,</b> To Supply and Fit ,Roller blind, in Unishade Blockout FR fabric in Charcoal. Manually operated with a right hand side silver chain ✓	1	£ 152.00
<b>Lounge,</b> To Supply and Fit ,Roller blind, in Unishade Blockout FR fabric in Charcoal. Manually operated with a right hand side silver chain ✓	1	£ 148.00
<b>Quiet Room,</b> To Supply and Fit ,Roller blind, in Unishade Blockout FR fabric in Charcoal. Manually operated with a right hand side silver chain ✓	1	£ 131.00
<b>Office,</b> To Supply and Fit ,Roller blind, in Unishade Blockout FR fabric in Charcoal. Manually operated with a left hand side silver chain ✓	1	£ 192.00
<b>Office,</b> To Supply and Fit ,Roller blind, in Unishade Blockout FR fabric in Charcoal. Manually operated with a right hand side silver chain ✓	1	£ 192.00
<b>Office,</b> To Supply and Fit ,Roller blind, in Unishade Blockout FR fabric in Charcoal. Manually operated with a right hand side silver chain ✓	1	£ 133.00
<b>Laundry Room,</b> To Supply and Fit ,Roller blind, in Unishade Blockout FR fabric in Charcoal. Manually operated with a right hand side silver chain ✓	1	£ 142.00

Tel : (01534) 768141

[www.cpinteriors.je](http://www.cpinteriors.je)

Rue des Pres Trading Estate, St Saviour, Jersey, JE2 7QN

Blinds | Curtains | Awnings | Shutters | Furnishings | Interior Design | Project Management

**Subtotal :** £ 5,254.00  
**GST :** £ 262.70  
**Total :** £ 5,516.70

As with all our custom orders, we require a deposit of 40% at the time of placing your order, 40% on delivery to the Island and 20% balance on completion. All prices are subject to GST.  
Thank you for your enquiry and we hope you will find this quotation acceptable. Should you require any further information, please contact us.

Yours sincerely  
Tamara

**To accept the above quotation, please indicate which option is required, sign below and return this letter together with your deposit. Please note extract of our terms and conditions below.**

.....  
**SIGNATURE**

.....  
**DATE**

Please note: This quotation is only valid for acceptance for 7 days. Our estimate does not include any electrical work or additional carpentry work to install the above unless otherwise specified. Please note there is a handling charge on customer own fabric of £5 per metre. Due to high costs of labour, pre-arranged missed fitting appointments will be charged on a time-wasted basis. Settlement is due on completion of works and an administration charge of £25 will be added per month if unpaid within 30 days. We reserve the right to charge for design, advice and liaison work carried out should an order not be placed. Goods remain the property of CP Interiors until full settlement is received. Should payment not be received we reserve the right to attend premises during working hours to remove goods and not be required to make good. Our full terms and conditions apply and are available on request.

As we no longer accept cheques, please do:

- Call us and pay by Card, we accept card transactions over the telephone and we will not charge you a handling fee.
- Bank details: Natwest, Sort Code 60-12-03, Account No 66577772 Carpet Protection (C.I.) Ltd T/A CP Interiors

**If you pay your deposit by BACS payment, please confirm the details of your order by returning a signed copy of this letter**

Tel : (01534) 768141

[www.cpinteriors.je](http://www.cpinteriors.je)

Rue des Pres Trading Estate, St Saviour, Jersey, JE2 7QN

Blinds | Curtains | Awnings | Shutters | Furnishings | Interior Design | Project Management

**Tropical Blinds Ltd**

Unit 6 and 7 Five Arches Business Est  
off Maidstone Road  
Sidcup  
Kent DA14 5AE  
T: 020 8269 6400  
F: 020 8269 6401



**Order Acknowledgement**

Cust Order No : SO14203 GREENFIELDS CENTF  
Order Date : 06/03/2023  
Order No : 811901  
Account Ref : CPS007  
Despatch method : DHL Carrier 2 NEW  
Delivery Date : 14/03/2023  
Carriage Type : DHL Economy Select 2

**Order to :**  
C.P Interiors  
Rue Des Pres Trading Estate  
St. Saviour  
Jersey  
Channel Islands  
JE2 7QN

**Deliver to :**  
C.P Interiors 2  
Rue Des Pres Trading Estate  
St Saviour  
Jersey  
JE2 7QN

Type	Colour	Width	Drop	Quantity	Unit Price	Disc %	Net
Roller	Unishade Blockout FR Charcoal R/F 3m (D)	880	1080	3	84.68	51.92	122.14
32mm Roller Tube, Standard Brackets Req., Standard P.V.C. Bottom Rail - 5m - White, Right Hand Control, White, Silver					0.00		
No. 10 Metal Operating Chain, Easybreak No.10 Chain Connector - Grey For Metal Chain							

Measurement: Recess Size Spec. Ins:

Install Height: Not Specified Location: Visiting Room

Roller	Unishade Blockout FR Charcoal R/F 3m (D)	1100	1080	1	98.57	51.92	47.39
32mm Roller Tube, Standard Brackets Req., Standard P.V.C. Bottom Rail - 5m - White, Left Hand Control, White, Silver					0.00		
No. 10 Metal Operating Chain, Easybreak No.10 Chain Connector - Grey For Metal Chain							

Measurement: Recess Size Spec. Ins:

Install Height: Not Specified Location: Sensory Room

Roller	Unishade Blockout FR Charcoal R/F 3m (D)	1100	1080	1	98.57	51.92	47.39
32mm Roller Tube, Standard Brackets Req., Standard P.V.C. Bottom Rail - 5m - White, Right Hand Control, White, Silver					0.00		
No. 10 Metal Operating Chain, Easybreak No.10 Chain Connector - Grey For Metal Chain							

Measurement: Recess Size Spec. Ins:

Install Height: Not Specified Location: Sensory Room

Roller	Unishade Blockout FR Charcoal R/F 3m (D)	2900	1080	1	223.95	51.92	115.40
40mm Heavy Duty Roller Tube, Standard Brackets Req., Standard P.V.C. Bottom Rail - 5m - White, Right Hand Control, White, Silver					16.06		
No. 10 Metal Operating Chain, Easybreak No.10 Chain Connector - Grey For Metal Chain							

Measurement: Recess Size Spec. Ins:

Install Height: Not Specified Location: Games Room

Roller	Unishade Blockout FR Charcoal R/F 3m (D)	1100	1080	1	98.57	51.92	47.39
32mm Roller Tube, Standard Brackets Req., Standard P.V.C. Bottom Rail - 5m - White, Right Hand Control, White, Silver					0.00		
No. 10 Metal Operating Chain, Easybreak No.10 Chain Connector - Grey For Metal Chain							

Measurement: Recess Size Spec. Ins:

Install Height: Not Specified Location: Lounge

Roller	Unishade Blockout FR Charcoal R/F 3m (D) 1000	1300	1	93.53	51.92	44.97
32mm Roller Tube, Standard Brackets Req., Standard P.V.C. Bottom Rail - 5m - White, Right Hand Control, White, Silver				0.00		
No. 10 Metal Operating Chain, Easybreak No.10 Chain Connector - Grey For Metal Chain						

Measurement: Recess Size Spec. Ins:

Install Height: Not Specified Location: Lounge

Roller	Unishade Blockout FR Charcoal R/F 3m (D) 700	1400	1	89.43	51.92	43.00
32mm Roller Tube, Standard Brackets Req., Standard P.V.C. Bottom Rail - 5m - White, Right Hand Control, White, Silver				0.00		
No. 10 Metal Operating Chain, Easybreak No.10 Chain Connector - Grey For Metal Chain						

Measurement: Recess Size Spec. Ins:

Install Height: Not Specified Location: Lounge

Roller	Unishade Blockout FR Charcoal R/F 3m (D) 950	700	1	75.73	51.92	36.41
32mm Roller Tube, Standard Brackets Req., Standard P.V.C. Bottom Rail - 5m - White, Right Hand Control, White, Silver				0.00		
No. 10 Metal Operating Chain, Easybreak No.10 Chain Connector - Grey For Metal Chain						

Measurement: Blind Size Spec. Ins:

Install Height: Not Specified Location: Quiet Room

Roller	Unishade Blockout FR Charcoal R/F 3m (D) 1520	1150	1	126.41	51.92	60.78
32mm Roller Tube, Standard Brackets Req., Standard P.V.C. Bottom Rail - 5m - White, Left Hand Control, White, Silver				0.00		
No. 10 Metal Operating Chain, Easybreak No.10 Chain Connector - Grey For Metal Chain						

Measurement: Blind Size Spec. Ins:

Install Height: Not Specified Location: Office

Roller	Unishade Blockout FR Charcoal R/F 3m (D) 1460	1150	1	126.41	51.92	60.78
32mm Roller Tube, Standard Brackets Req., Standard P.V.C. Bottom Rail - 5m - White, Right Hand Control, White, Silver				0.00		
No. 10 Metal Operating Chain, Easybreak No.10 Chain Connector - Grey For Metal Chain						

Measurement: Blind Size Spec. Ins:

Install Height: Not Specified Location: Office

Roller	Unishade Blockout FR Charcoal R/F 3m (D) 600	1400	1	77.61	51.92	37.31
32mm Roller Tube, Standard Brackets Req., Standard P.V.C. Bottom Rail - 5m - White, Right Hand Control, White, Silver				0.00		
No. 10 Metal Operating Chain, Easybreak No.10 Chain Connector - Grey For Metal Chain						

Measurement: Blind Size Spec. Ins:

Install Height: Not Specified Location: Office

Roller	Unishade Blockout FR Charcoal R/F 3m (D) 970	1200	1	84.68	51.92	40.71
32mm Roller Tube, Standard Brackets Req., Standard P.V.C. Bottom Rail - 5m - White, Right Hand Control, White, Silver				0.00		
No. 10 Metal Operating Chain, Easybreak No.10 Chain Connector - Grey For Metal Chain						

Measurement: Blind Size Spec. Ins:

Install Height: Not Specified Location: Laundry Room

If a Premium carriage service is requested (Pre Noon, Pre 10.30, Saturday or Saturday Pre Noon) the relevant charge will be applied to your invoice. Goods delivered to the following areas: Cornwall, Dyfed, Powys, Anglesey, Gwynedd, Scotland, Isle of Wight, Isle of Man, Isle of Scilly, Channel Isles, Northern Ireland and Republic of Ireland will be subject to a carriage charge as detailed on Page 2 of our trade price list. These carriage charges may not appear on your order acknowledgement but will be applied to your invoice

Net Price :	£703.67
VAT :	£0.00
Total :	£703.67

**Tropical Blinds Ltd**

**Quotation**  
Customer Copy

Unit 6 and 7 Five Arches Business Est  
off Maidstone Road  
Sidcup  
Kent  
DA14 5AE  
Tel: 020 8269 6400 Fax: 020 8269 6401

**Vat No:** 324 0532 02  
**Cust Order No:** SO14203 GREENFIELDS CENTRE  
**Order Date:** 06/03/2023  
**Order No:** 3151646  
**Cust Ref:**  
**Account Ref:** CPS007  
**Despatch Method:**DHL Carrier 2 NEW

**Order To:**  
C.P Interiors 2  
Rue Des Pres Trading Estate  
St Saviour  
Jersey  
Channel Islands  
JE2 7QN

**Deliver To:**  
C.P Interiors 2  
Rue Des Pres Trading Estate  
St Saviour  
Jersey  
JE2 7QN

Type	Colour	Width	Drop	Quantity	Unit Price	Disc %	Net
Roller	Unishade Blockout FR Charcoal R/F 3m (D)880	880	1080	3	84.68	51.92	122.14
32mm Roller Tube, Standard Brackets Req., Standard P.V.C. Bottom Rail - 5m - White, Right Hand Control, White, Silver No. 10 Metal Operating Chain, No Scallop, No Braid Required, N/A, No Pole, No Finial, No Eyelets Required, No Pull Required, No Hold Down Clips Required, Standard Roll, No Specials, No Specials, Easybreak No.10 Chain Connector - Grey For Metal Chain, Not Applicable Measurement: Recess Size SWSpec. ins: Chain Length: 700 Location: Visiting Room Fitting ins:							
Roller	Unishade Blockout FR Charcoal R/F 3m (D)1100	1100	1080	1	98.57	51.92	47.39
32mm Roller Tube, Standard Brackets Req., Standard P.V.C. Bottom Rail - 5m - White, Left Hand Control, White, Silver No. 10 Metal Operating Chain, No Scallop, No Braid Required, N/A, No Pole, No Finial, No Eyelets Required, No Pull Required, No Hold Down Clips Required, Standard Roll, No Specials, No Specials, Easybreak No.10 Chain Connector - Grey For Metal Chain, Not Applicable Measurement: Recess Size SWSpec. ins: Chain Length: 700 Location: Sensory Room Fitting ins:							
Roller	Unishade Blockout FR Charcoal R/F 3m (D)1100	1100	1080	1	98.57	51.92	47.39
32mm Roller Tube, Standard Brackets Req., Standard P.V.C. Bottom Rail - 5m - White, Right Hand Control, White, Silver No. 10 Metal Operating Chain, No Scallop, No Braid Required, N/A, No Pole, No Finial, No Eyelets Required, No Pull Required, No Hold Down Clips Required, Standard Roll, No Specials, No Specials, Easybreak No.10 Chain Connector - Grey For Metal Chain, Not Applicable Measurement: Recess Size SWSpec. ins: Chain Length: 700 Location: Sensory Room Fitting ins:							
Roller	Unishade Blockout FR Charcoal R/F 3m (D)2900	2900	1080	1	223.95	51.92	115.40
40mm Roller Tube, Standard Brackets Req., Standard P.V.C. Bottom Rail - 5m - White, Right Hand Control, White, Silver No. 10 Metal Operating Chain, No Scallop, No Braid Required, N/A, No Pole, No Finial, No Eyelets Required, No Pull Required, No Hold Down Clips Required, Standard Roll, No Specials, No Specials, Easybreak No.10 Chain Connector - Grey For Metal Chain, Not Applicable Measurement: Recess Size SWSpec. ins: Chain Length: 700 Location: Games Room Fitting ins:							
Roller	Unishade Blockout FR Charcoal R/F 3m (D)1100	1100	1080	1	98.57	51.92	47.39
32mm Roller Tube, Standard Brackets Req., Standard P.V.C. Bottom Rail - 5m - White, Right Hand Control, White, Silver No. 10 Metal Operating Chain, No Scallop, No Braid Required, N/A, No Pole, No Finial, No Eyelets Required, No Pull Required, No Hold Down Clips Required, Standard Roll, No Specials, No Specials, Easybreak No.10 Chain Connector - Grey For Metal Chain, Not Applicable Measurement: Recess Size SWSpec. ins: Chain Length: 700 Location: Lounge Fitting ins:							
Roller	Unishade Blockout FR Charcoal R/F 3m (D)1000	1000	1300	1	93.53	51.92	44.97
32mm Roller Tube, Standard Brackets Req., Standard P.V.C. Bottom Rail - 5m - White, Right Hand Control, White, Silver No. 10 Metal Operating Chain, No Scallop, No Braid Required, N/A, No Pole, No Finial, No Eyelets Required, No Pull Required, No Hold Down Clips Required, Standard Roll, No Specials, No Specials, Easybreak No.10 Chain Connector - Grey For Metal Chain, Not Applicable							

*AA*

Measurement: Recess Size SWSpec. ins:  
Location: Lounge Fitting ins:

Chain Length: 800

Roller Unishade Blockout FR Charcoal R/F 3m (D)700 1400 1 89.43 51.92 43.00

32mm Roller Tube, Standard Brackets Req., Standard P.V.C. Bottom Rail - 5m - White, Right Hand Control, White, Silver No. 10 Metal Operating Chain, No Scallop, No Braid Required, N/A, No Pole, No Finial, No Eyelets Required, No Pull Required, No Hold Down Clips Required, Standard Roll, No Specials, No Specials, Easybreak No.10 Chain Connector - Grey For Metal Chain, Not Applicable

Measurement: Recess Size SWSpec. ins:  
Location: Lounge Fitting ins:

Chain Length: 900

Roller Unishade Blockout FR Charcoal R/F 3m (D)950 700 1 75.73 51.92 36.41

32mm Roller Tube, Standard Brackets Req., Standard P.V.C. Bottom Rail - 5m - White, Right Hand Control, White, Silver No. 10 Metal Operating Chain, No Scallop, No Braid Required, N/A, No Pole, No Finial, No Eyelets Required, No Pull Required, No Hold Down Clips Required, Standard Roll, No Specials, No Specials, Easybreak No.10 Chain Connector - Grey For Metal Chain, Not Applicable

Measurement: Blind Size Spec. ins:  
Location: Quiet Room Fitting ins:

Chain Length: 400

Roller Unishade Blockout FR Charcoal R/F 3m (D)1520 1150 1 126.41 51.92 60.78

32mm Roller Tube, Standard Brackets Req., Standard P.V.C. Bottom Rail - 5m - White, Left Hand Control, White, Silver No. 10 Metal Operating Chain, No Scallop, No Braid Required, N/A, No Pole, No Finial, No Eyelets Required, No Pull Required, No Hold Down Clips Required, Standard Roll, No Specials, No Specials, Easybreak No.10 Chain Connector - Grey For Metal Chain, Not Applicable

Measurement: Blind Size Spec. ins:  
Location: Office Fitting ins:

Chain Length: 700

Roller Unishade Blockout FR Charcoal R/F 3m (D)1460 1150 1 126.41 51.92 60.78

32mm Roller Tube, Standard Brackets Req., Standard P.V.C. Bottom Rail - 5m - White, Right Hand Control, White, Silver No. 10 Metal Operating Chain, No Scallop, No Braid Required, N/A, No Pole, No Finial, No Eyelets Required, No Pull Required, No Hold Down Clips Required, Standard Roll, No Specials, No Specials, Easybreak No.10 Chain Connector - Grey For Metal Chain, Not Applicable

Measurement: Blind Size Spec. ins:  
Location: Office Fitting ins:

Chain Length: 700

Roller Unishade Blockout FR Charcoal R/F 3m (D)600 1400 1 77.61 51.92 37.31

32mm Roller Tube, Standard Brackets Req., Standard P.V.C. Bottom Rail - 5m - White, Right Hand Control, White, Silver No. 10 Metal Operating Chain, No Scallop, No Braid Required, N/A, No Pole, No Finial, No Eyelets Required, No Pull Required, No Hold Down Clips Required, Standard Roll, No Specials, No Specials, Easybreak No.10 Chain Connector - Grey For Metal Chain, Not Applicable

Measurement: Blind Size Spec. ins:  
Location: Office Fitting ins:

Chain Length: 900

Roller Unishade Blockout FR Charcoal R/F 3m (D)970 1200 1 84.68 51.92 40.71

32mm Roller Tube, Standard Brackets Req., Standard P.V.C. Bottom Rail - 5m - White, Right Hand Control, White, Silver No. 10 Metal Operating Chain, No Scallop, No Braid Required, N/A, No Pole, No Finial, No Eyelets Required, No Pull Required, No Hold Down Clips Required, Standard Roll, No Specials, No Specials, Easybreak No.10 Chain Connector - Grey For Metal Chain, Not Applicable

Measurement: Blind Size Spec. ins:  
Location: Laundry Room Fitting ins:

Chain Length: 700

Net Total: 703.67

VAT: 0.00

Total: 703.67

**CURTAIN ORDER FORM WEBSITE**

<b>COMPANY</b> CP Interiors	<b>CUSTOMER:</b> Greenfields	<b>ORDER REF:</b> S014203Q1	<b>CONTACT NAME:</b> Tamara
--------------------------------	---------------------------------	--------------------------------	--------------------------------

<b>FABRIC DETAILS:</b> Sekers Re-New 08 Azure FR Dimout	<b>FABRIC WIDTH:</b> 300cm	<b>FABRIC REPEAT:</b> 0cm	<b>QUANTITY:</b> 15.5m	<b>RAILROAD:</b>
--	-------------------------------	------------------------------	---------------------------	------------------

<b>COLOUR OF LINING</b> IVORY OR ALMOND	
---	--

<b>DATE :</b> 13/03/2023	<b>PC PREMIUM LINING:</b>	<b>PC STANDARD LINING:</b> FR required	<b>PC BLACKOUT LINING:</b>	<b>PC INTERLINING:</b>	<b>PC SATIN FLEECE LINING:</b>
-----------------------------	---------------------------	---	----------------------------	------------------------	--------------------------------

<b>TRIM/BRAID /BORDER :</b>	<b>BORDER SIZE:</b>	<b>TOP:</b>	<b>BOTTOM:</b>	<b>LEADING EDGE:</b>	<b>RTN EDGE:</b>
-----------------------------	---------------------	-------------	----------------	----------------------	------------------

ALL MEASUREMENTS MUST BE IN METRIC	PAIR 1	PAIR 2	PAIR 3
<b>PAIR</b>	Lounge Pair 1	Lounge Pair 2	
<b>SINGLE</b>			
<b>WIDTHS PER CURTAIN</b>			
<b>OVERALL DROP</b>	2400mm	2400mm	
<b>HOOK HEIGHT EYE DROP</b>			
<b>TRACK SIZE</b>	2100mm	3970mm	
<b>OVERLAPS &amp; RETURNS</b>			

**ADDITIONAL INFORMATION:**  
15.5m of Re-New 08 Azure Dim Out arriving from Sekers for both pairs. Machine finished curtains with double pleat header and FR standard lining.

<b>INTERLINED - HANDSEWN</b>			
<b>LINED - HANDSEWN</b>			
<b>LINED - MACHINE</b>	YES	YES	
<b>HEADING PENCIL</b>			
<b>HEADING TRIPLE PINCH</b>			
<b>HEADING DOUBLE PINCH</b>	YES	YES	
<b>DEPTH OF BUCKRAM:</b>			
<b>SINGLE PLEAT &amp; CARTRIDGE PLEAT(CIRCUMFERENCE OF PLEAT IN CM)</b>			
<b>CARTRIDGE FILLED OR UNFILLED</b>			
<b>HEADING WAVE</b>			
<b>INVISIBLE WAVE</b>			
<b>THIS ORDER INCLUDES ON A SEPARATE SHEET (PLEASE TICK APPROPRIATE BOX)</b>			

# PREMIERCHOICE

MANUFACTURERS OF QUALITY CUSTOM MADE CURTAINS, PELMETS AND BLINDS

CP INTERIORS JERSEY  
CP INTERIORS  
RUE DES PRES TRADING ESTATE  
ST SAVIOUR  
JERSEY  
JE2 7QN

Re: 537 / 2 - SO14203 GREENFIELDS CENTRE

10 February 2023

Dear Customer,

THIS IS AN ESTIMATE ONLY. SHOULD YOU WISH TO PLACE AN ORDER KINDLY SEND A DETAILED WORKSHEET WHERE POSSIBLE USING THE PREMIER CHOICE ORDER FORM TO [orders@premierchoice.co.uk](mailto:orders@premierchoice.co.uk)

We thank you for your enquiry and we have the pleasure in estimating you as follows:

## LOUNGE

1 Pair of Curtains Double Pinch Pleat, Machine Finished Lined	£	177.52
Rail size of 210cm, Drop of 240cm, Overall rail size: 210cm, 2.6 Mts in each		
Making:	4	Widths
Fabric: Wide fabric - 300cm wide, no repeat	5.2	mts
Lining: FR Standard Lining	10.8	mts

£444

## LOUNGE

1 Pair of Curtains Double Pinch Pleat, Machine Finished Lined	£	344.78
Rail size of 397cm, Drop of 240cm, Overall rail size: 397cm, 4.7 Mts in each		
Making:	8	Widths
Fabric: Wide fabric - 300cm wide, no repeat	9.4	mts
Lining: FR Standard Lining	18.9	mts

£182

---

<b>Others Subtotal:</b>	£	<b>522.30</b>
-------------------------	---	---------------

---

<b>Total:</b>	£	<b>522.30</b>
---------------	---	---------------

---

Any additional work, not mentioned in the above estimate, will be invoiced for.

THIS IS AN ESTIMATE ONLY.

SHOULD YOU WISH TO PLACE AN ORDER KINDLY SEND A DETAILED WORKSHEET WHERE POSSIBLE USING THE PREMIERCHOICE ORDER FORM.

ALL EMAILED ORDERS PLEASE EMAIL TO [ORDERS@PREMIERCHOICE.CO.UK](mailto:ORDERS@PREMIERCHOICE.CO.UK)  
PLEASE QUOTE ESTIMATE NUMBER SUPPLIED.

Lead Times are subject to availability.

Assuring you of our best attention at all times.

E. & O.E

Yours Faithfully  
Sally Waddilove  
Premierchoice Ltd

## Tamara Lopez-Dominguez

---

**From:** Tamara Lopez-Dominguez  
**Sent:** 08 March 2023 17:27  
**To:** export@sekers.co.uk  
**Subject:** SO14203Q1 Health & Social Services Ref Greenfields

Good afternoon,

Could I please order **15.5m of Re-New 08 Azure** to be sent to the following address:

**Premier Choice**  
**3-5 Algores Way**  
**Wisbech**  
**PE132TQ**

Please include the above reference in your order confirmation and invoice.

Kind regards

*Tamara*

**Tamara Lopez Dominguez**  
*Interior Design Advisor*  
[tamara@cpinteriors.ie](mailto:tamara@cpinteriors.ie)



Tel: (01534) 768141 [www.cpinteriors.ie](http://www.cpinteriors.ie)  
Rue Des Pres Trading Estate, St Saviour, Jersey, JE2 7QP

Blinds | Curtains | Awnings | Shutters | Furnishings |  
Interior Design | Project Management

# Purchase Order: 4600014928

This purchase order was delivered by Ariba Network. For more information about Ariba and Ariba Network, visit <https://www.ariba.com>.



From:  
States of Jersey  
19-21 Broad Street  
St Helier

JE2 3RR  
Jersey

To:  
**Carpet Protection (C.I.) Ltd**  
Unit 28  
L'avenue le Bas  
La Rue le Gros  
La Rue des Pres Trading Estate  
St Saviour  
Jersey  
JE2 7QP  
Jersey  
Phone:  
Fax:  
Email: [accounts@cpinteriors.je](mailto:accounts@cpinteriors.je)

## Purchase Order

(Confirmed)  
4600014928  
Amount: £ 553.35 GBP  
Version: 1

### Payment Terms

NET 0

### Other Information

Payment Terms: Pay Immediately w/o Deduction  
Company Code: 1000  
Purchasing Unit Name: States of Jersey  
Legal Terms and Conditions of Purchase: The terms and conditions available at the link shall apply to the Purchase Order: <https://www.gov.je/Government/CommercialServices/Pages/TermsAndConditions.aspx>  
Invoicing Terms and Conditions of Purchase: Payment enquiries to:  
Tel. : 01534 440068  
Fax : 01534 440143  
Email: [FP.AccountsPayableInv@gov.je](mailto:FP.AccountsPayableInv@gov.je)

### SHIP ALL ITEMS TO

Greenfields Secure Children's Home  
  
La Grande Route De St. Martin  
Jersey  
St. Saviour, Jersey  
JE2 7GS  
Jersey  
Ship To Code: ADBuyer163301704  
  
Phone: +JE (01534) 872940  
Email: [s.young@health.gov.je](mailto:s.young@health.gov.je)

### BILL TO

States of Jersey  
19-21 Broad Street  
St Helier  
  
JE2 3RR  
Jersey

### DELIVER TO

Stephen Young  
Greenfields Secure Children's Home

### Line Items

Line #	No. Schedule Lines	Part # / Description	Type	Return	Qty (Unit)	Need By	Unit Price	Subtotal
1		Not Available Quote REF : SO14203Q1-Update	Material		1 (EA)	10 Mar 2023	£553.35 GBP	£553.35 GBP

STATUS

1

Confirmed (Estimated Delivery Date: 25 Apr 2023)  
With New  
Date

Other Information

Req. Line No.: 1  
Requester: Stephen Young  
PR No.: PR31339  
Plant.Description: States of Jersey  
Plant.ID: 1000  
Classification Domain: unspsc  
Classification Code: 521316

Incoterms Information

Incoterm Code:  
Incoterm Location:

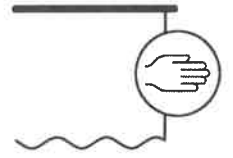
Order submitted on: Tuesday 7 Mar 2023 5:50 PM GMT+00:00  
Received by Ariba Network on: Tuesday 7 Mar 2023 5:50 PM GMT+00:00  
00

This Purchase Order was sent by Government of Jersey  
AN01685627124 and delivered by Ariba Network.

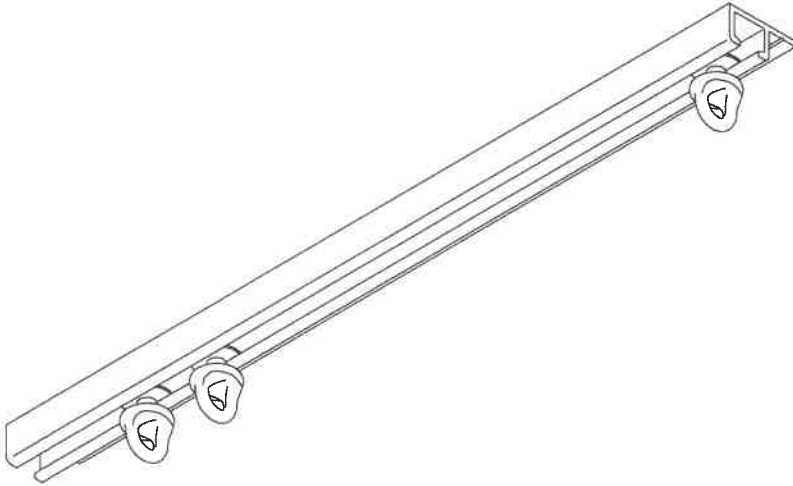
Sub-total: £ 553.35 GBP

PDF generated by Jacqueline Jepson on Wednesday 8 Mar 2023 4:21 PM GMT+00:00

# SG 6290



## SAFETY TRACK



The only SG safety track  
available as per Sally's email

### PRODUCT INFORMATION

- **Operation:** hand
- **Range:** S - M
- **Fitting:** ceiling
- **Colours:** white RAL 9016; special colours or anodised aluminum possible
- **Fabrics:** refer to Silent Gliss fabric collection

### **Features:**

- Suitable for schools, hospitals, retirement homes, etc.
- Yellow gliders release from profile when weight limit is exceeded (4 - 6 kg)
- Blue glider releases at higher weight limit (8 - 10 kg) due to higher pulling force at curtain leading edges

200 cm    £38.58 - 40% x 2.5 + £40 = £98

400 cm    £77.18 - 40% x 2.5 + £40 = £156

**Staff Name** Adrian  
**Order No** SO14203  
**Staff Name** Adrian  
**Measurer or Fitter** Measurer  
**Contact Address** Health & Social Services, Finance & ICT Services, Peter Crill House, Gloucester Street, St Helier, JE1 3QS, 872940, 07797832493, d.Hansford@health.gov.je ✓  
**Customer Ref** Greenfields Children Secure Centre, La Grande Route de St Martin  
**Date** 20-01-2023  
**Time** 15:00

PTB

Notes : To take measurements for curtains

Location	Supplier	Blind Type / Description	Colour	Qty	Width	Drop	Fitting Height	Blind/Recess	Controls	Brackets	Surface	Unit Price
Visiting Room		Roller	Blo	3	880	1080		Ree	RTR	TOP	3x142 = £426	
Senior Room		Roller	Blo	2	1100	1080		Ree	LTR	TOP	2x158 = £316	
Games Room		Roller	Blo	1	2900	1080		"	RTR	TOP	£309	
Lounge	Silent	Pair Curkani		1	1900	2400						£444
20	Shil / Premier	Triple Flex Machine		1	3270	2400						£862
	Proff	Silent Slit 506290										
		Antiligature										
Lounge		Roller	Blo	1	1100	1080		Ree	RTR			£158
				1	1000	1300		1	RTR			£152
				1	700	1400		1	RTR			£148
Quiet Room				1	950	700		15/5	RTR			£131

**Comments:**   
 Seters Laci TR (71°C) 300cm @ £56  
 Dim Cut  
 Requested quote from PC on 20/10

**Order Date**  
**Customer Signature**  
 X I have checked and agree with the above choices  
**Target Fitting Date**

~~P/O~~

office

1520 x 1150 g/s Ltr £192

1460 x 1150 " " Rtr £192

600 x 1400 " " Rtr £133

Laundry Room

970 x 1200 ~ Rtr £142

SGG290 white

# Purchase Order: 4600009997

This purchase order was delivered by Ariba Network. For more information about Ariba and Ariba Network, visit <https://www.ariba.com>.



From:  
States of Jersey  
19-21 Broad Street  
St Helier  
  
JE2 3RR  
Jersey

To:  
**Carpet Protection (C.I.) Ltd**  
Unit 28  
L'avenue le Bas  
La Rue le Gros  
La Rue des Pres Trading Estate  
St Saviour  
Jersey  
JE2 7QP  
Jersey  
Phone:  
Fax:  
Email: [accounts@cpinteriors.je](mailto:accounts@cpinteriors.je)

**Purchase Order**  
**(New)**  
4600009997  
Amount: £4,963.35 GBP  
Version: 1

## Payment Terms

NET 0

## Other Information

Payment Terms: Pay Immediately w/o Deduction  
Company Code: 1000  
Purchasing Unit Name: States of Jersey  
Legal Terms and Conditions of Purchase: The terms and conditions available at the link shall apply to the Purchase Order: <https://www.gov.je/Government/CommercialServices/Pages/TermsAndConditions.aspx>  
Invoicing Terms and Conditions of Purchase: Payment enquiries to:  
Tel. : 01534 440068  
Fax : 01534 440143  
Email: [FP.AccountsPayableInv@gov.je](mailto:FP.AccountsPayableInv@gov.je)

SHIP ALL ITEMS TO	BILL TO	DELIVER TO
Greenfields Secure Children's Home  La Grande Route De St. Martin Jersey St. Saviour, Jersey JE2 7GS Jersey Ship To Code: ADBuyer163301704  Phone: +JE (01534) 872940 Email: <a href="mailto:s.young@health.gov.je">s.young@health.gov.je</a>	States of Jersey 19-21 Broad Street St Helier  JE2 3RR Jersey	Stephen Young Greenfields Secure Children's Home

Line Items								
Line #	No. Schedule Lines	Part # / Description	Type	Return	Qty (Unit)	Need By	Unit Price	Subtotal
1		Not Available REF : SO14203Q1	Material		1 (EA)	27 Feb 2023	£4,963.35 GBP	£4,963.35 GBP
STATUS								

1

Unconfirmed

Other Information

Req. Line No.: 1  
Requester: Stephen Young  
PR No.: PR25592  
Plant.Description: States of Jersey  
Plant.ID: 1000  
Classification Domain: unspsc  
Classification Code: 521316

Incoterms Information

Incoterm Code:

Incoterm Location:

Order submitted on: Thursday 16 Feb 2023 3:51 PM GMT+00:00

Received by Ariba Network on: Thursday 16 Feb 2023 3:51 PM  
GMT+00:00

This Purchase Order was sent by Government of Jersey  
AN01685627124 and delivered by Ariba Network.

Sub-total: £ 4,963.35 GBP

PDF generated by Jacqueline Jepson on Friday 17 Feb 2023 9:54 AM GMT+00:00

# Purchase Order: 4600014928

This purchase order was delivered by Ariba Network. For more information about Ariba and Ariba Network, visit <https://www.ariba.com>.



**From:**  
 States of Jersey  
 19-21 Broad Street  
 St Helier  
  
 JE2 3RR  
 Jersey

**To:**  
**Carpet Protection (C.I.) Ltd**  
 Unit 28  
 L'avenue le Bas  
 La Rue le Gros  
 La Rue des Pres Trading Estate  
 St Saviour  
 Jersey  
 JE2 7QP  
 Jersey  
 Phone:  
 Fax:  
 Email: [accounts@cpinteriors.je](mailto:accounts@cpinteriors.je)

**Purchase Order**  
**(Confirmed)**  
 4600014928  
 Amount: £ 553.35 GBP  
 Version: 1

**Payment Terms**  
 NET 0

**Other Information**

**Payment Terms:** Pay Immediately w/o Deduction  
**Company Code:** 1000  
**Purchasing Unit Name:** States of Jersey  
**Legal Terms and Conditions of Purchase:** The terms and conditions available at the link shall apply to the Purchase Order: <https://www.gov.je/Government/CommercialServices/Pages/TermsAndConditions.aspx>  
**Invoicing Terms and Conditions of Purchase:** Payment enquiries to:  
 Tel. : 01534 440068  
 Fax : 01534 440143  
 Email: [FP.AccountsPayableInv@gov.je](mailto:FP.AccountsPayableInv@gov.je)

SHIP ALL ITEMS TO	BILL TO	DELIVER TO
Greenfields Secure Children's Home  La Grande Route De St. Martin Jersey St. Saviour, Jersey JE2 7GS Jersey Ship To Code: ADBuyer163301704  Phone: +JE (01534) 872940 Email: <a href="mailto:s.young@health.gov.je">s.young@health.gov.je</a>	States of Jersey 19-21 Broad Street St Helier  JE2 3RR Jersey	Stephen Young Greenfields Secure Children's Home

Line Items								
Line #	No. Schedule Lines	Part # / Description	Type	Return	Qty (Unit)	Need By	Unit Price	Subtotal
1		Not Available	Material		1 (EA)	10 Mar 2023	£553.35 GBP	£553.35 GBP
Quote REF : SO14203Q1-Update								
STATUS								

1  
Confirmed (Estimated Delivery Date: 25 Apr 2023)  
With New  
Date

Other Information

Req. Line No.: 1  
Requester: Stephen Young  
PR No.: PR31339  
Plant.Description: States of Jersey  
Plant.ID: 1000  
Classification Domain: unspsc  
Classification Code: 521316

Incoterms Information

Incoterm Code:

Incoterm Location:

Order submitted on: Tuesday 7 Mar 2023 5:50 PM GMT+00:00  
Received by Ariba Network on: Tuesday 7 Mar 2023 5:50 PM GMT+00:  
00

This Purchase Order was sent by Government of Jersey  
AN01685627124 and delivered by Ariba Network.

Sub-total: £ 553.35 GBP

PDF generated by Jacqueline Jepson on Wednesday 8 Mar 2023 4:21 PM GMT+00:00

February 10, 2023

REF : SO14203Q1

Health & Social Services  
Finance & ICT Services  
Peter Crill House  
Gloucester Street  
St Helier  
JE1 3QS

CUS. REF : Greenfields Children Secure Centre, La Grande  
Route de St Martin

*Charcoal for rollers*

**Dear Ms. Dee Hansford**

As requested, we have pleasure in submitting our quotation for the following.

Description	QTY	Price
<b>Visiting Room,</b> To Supply and Fit ,Roller blind, in Unishade Blockout FR fabric in a colour of your choice (band A). Manually operated with a right hand side silver chain	3	£ 426.00
<b>Sensory Room,</b> To Supply and Fit ,Roller blind, in Unishade Blockout FR fabric in a colour of your choice (band A). Manually operated with a left hand side silver chain	1	£ 158.00
<b>Sensory Room,</b> To Supply and Fit ,Roller blind, in Unishade Blockout FR fabric in a colour of your choice (band A). Manually operated with a right hand side silver chain	1	£ 158.00
<b>Games Room,</b> To Supply and Fit ,Roller blind, in Unishade Blockout FR fabric in a colour of your choice (band A). Manually operated with a right hand side silver chain	1	£ 309.00
<b>Lounge,</b> To Supply and Fit ,Curtain, Pair of machine finished curtains, in a dimout fabric of your choice, with a double pleat header and FR standard lining.	1	£ 444.00
<b>Lounge,</b> To Supply and Fit ,Curtain Pole / Track, Silent Gliss SG6290 Safety Track in white. Hand operation and top fix	1	£ 98.00
<b>Lounge,</b> To Supply and Fit ,Curtain, Pair of machine finished curtains, in a dimout fabric of your choice, with a double pleat header and FR standard lining.	1	£ 862.00
<b>Lounge,</b> To Supply and Fit ,Curtain Pole / Track, Silent Gliss SG6290 Safety Track in white. Hand operation and top fix	1	£ 156.00
<b>Lounge,</b> Fabric, 15.5m of Sekers Loci FR Dim Out 300cm fabric in a colour of your choice @£56 per metre,	1	£ 868.00
<b>Lounge,</b> To Supply and Fit ,Roller blind, in Unishade Blockout FR fabric in a colour of your choice (band A). Manually operated with a right hand side silver chain	1	£ 158.00
<b>Lounge,</b> To Supply and Fit ,Roller blind, in Unishade Blockout FR fabric in a colour of your choice (band A). Manually operated with a right hand side silver chain	1	£ 152.00
<b>Lounge,</b> To Supply and Fit ,Roller blind, in Unishade Blockout FR fabric in a colour of your choice (band A). Manually operated with a right hand side silver chain	1	£ 148.00
<b>Quiet Room,</b> To Supply and Fit ,Roller blind, in Unishade Blockout FR fabric in a colour of your choice (band A). Manually operated with a right hand side silver chain	1	£ 131.00
<b>Office,</b> To Supply and Fit ,Roller blind, in Unishade Blockout FR fabric in a colour of your choice (band A). Manually operated with a left hand side silver chain	1	£ 192.00
<b>Office,</b> To Supply and Fit ,Roller blind, in Unishade Blockout FR fabric in a colour of your choice (band A). Manually operated with a right hand side silver chain	1	£ 192.00
<b>Office,</b> To Supply and Fit ,Roller blind, in Unishade Blockout FR fabric in a colour of your choice (band A). Manually operated with a right hand side silver chain	1	£ 133.00
<b>Laundry Room,</b> To Supply and Fit ,Roller blind, in Unishade Blockout FR fabric in a colour of your choice (band A). Manually operated with a right hand side silver chain	1	£ 142.00

Tel : (01534) 768141

[www.cpinteriors.je](http://www.cpinteriors.je)

Rue des Pres Trading Estate, St Saviour, Jersey, JE2 7QN

Subtotal : £ 4,727.00  
GST : £ 236.35  
Total : £ 4,963.35

As with all our custom orders, we require a deposit of 40% at the time of placing your order, 40% on delivery to the Island and 20% balance on completion. All prices are subject to GST.

**Our Price Promise to you, we will beat any written quotation by 5% (on equivalent specification).**

Thank you for your enquiry and we hope you will find this quotation acceptable. Should you require any further information, please contact us.

Yours sincerely  
Tamara



**To accept the above quotation, please indicate which option is required, sign below and return this letter together with your deposit. Please note extract of our terms and conditions below.**

.....  
**SIGNATURE**

.....  
**DATE**

Please note: This quotation is only valid for acceptance for 7 days. Our estimate does not include any electrical work or additional carpentry work to install the above unless otherwise specified. Please note there is a handling charge on customer own fabric of £5 per metre. Due to high costs of labour, pre-arranged missed fitting appointments will be charged on a time-wasted basis. Settlement is due on completion of works and an administration charge of £25 will be added per month if unpaid within 30 days. We reserve the right to charge for design, advice and liaison work carried out should an order not be placed. Goods remain the property of CP Interiors until full settlement is received. Should payment not be received we reserve the right to attend premises during working hours to remove goods and not be required to make good. Our full terms and conditions apply and are available on request.

As we no longer accept cheques, please do:

- Call us and pay by Card, we accept card transactions over the telephone and we will not charge you a handling fee.
- Bank details: Natwest, Sort Code 60-12-03, Account No 66577772 Carpet Protection (C.I) Ltd T/A CP Interiors

**If you pay your deposit by BACS payment, please confirm the details of your order by returning a signed copy of this letter**

Tel : (01534) 768141

[www.cpinteriors.ie](http://www.cpinteriors.ie)

Rue des Pres Trading Estate, St Saviour, Jersey, JE2 7QN

Blinds | Curtains | Awnings | Shutters | Furnishings | Interior Design | Project Management



# CP INTERIORS

*email back info/brochure re Safety. ✓*

January 30, 2023

REF : SO14203

Health & Social Services  
Finance & ICT Services  
Peter Crill House  
Gloucester Street  
St Helier  
JE1 3QS

CUS. REF : Greenfields Children Secure Centre, La Grande  
Route de St Martin

**Dear Ms. Dee Hansford**

As requested, we have pleasure in submitting our quotation for the following.

Description	QTY	Price
<b>Visiting Room,</b> To Supply and Fit ,Roller blind, in a blackout fabric of your choice (band B). Manually operated with a right hand side silver chain	3	£ 480.00
<b>Sensory Room,</b> To Supply and Fit ,Roller blind, in a blackout fabric of your choice (band B). Manually operated with a left hand side silver chain	1	£ 179.00
<b>Sensory Room,</b> To Supply and Fit ,Roller blind, in a blackout fabric of your choice (band B). Manually operated with a right hand side silver chain	1	£ 179.00
<b>Games Room,</b> To Supply and Fit ,Roller blind, in a blackout fabric of your choice (band B). Manually operated with a right hand side silver chain	1	£ 335.00
<b>Lounge,</b> To Supply and Fit ,Curtain, Pair of machine finished curtains, in a dimout fabric of your choice, with a triple pleat header and FR standard lining.	1	£ 640.00
<b>Lounge,</b> To Supply and Fit ,Curtain Pole / Track, Silent Gliss SG6290 Safety Track in white. Hand operation and top fix	1	£ 98.00
<b>Lounge,</b> To Supply and Fit ,Curtain, Pair of machine finished curtains, in a dimout fabric of your choice, with a triple pleat header and FR standard lining.	1	£ 888.00
<b>Lounge,</b> To Supply and Fit ,Curtain Pole / Track, Silent Gliss SG6290 Safety Track in white. Hand operation and top fix	1	£ 156.00
<b>Lounge,</b> Fabric, 18m of Sekers Loci FR Dim Out 300cm fabric in a colour of your choice @£56 per metre,	1	£ 1,008.00
<b>Lounge,</b> To Supply and Fit ,Roller blind, in a blackout fabric of your choice (band B). Manually operated with a right hand side silver chain	1	£ 207.00
<b>Lounge,</b> To Supply and Fit ,Roller blind, in a blackout fabric of your choice (band B). Manually operated with a right hand side silver chain	1	£ 198.00
<b>Lounge,</b> To Supply and Fit ,Roller blind, in a blackout fabric of your choice (band B). Manually operated with a right hand side silver chain	1	£ 192.00
<b>Quiet Room,</b> To Supply and Fit ,Roller blind, in a blackout fabric of your choice (band B). Manually operated with a right hand side silver chain	1	£ 169.00
<b>Office,</b> To Supply and Fit ,Roller blind, in a blackout fabric of your choice (band B). Manually operated with a left hand side silver chain	1	£ 234.00
<b>Office,</b> To Supply and Fit ,Roller blind, in a blackout fabric of your choice (band B). Manually operated with a right hand side silver chain	1	£ 234.00
<b>Office,</b> To Supply and Fit ,Roller blind, in a blackout fabric of your choice (band B). Manually operated with a right hand side silver chain	1	£ 172.00
<b>Laundry Room,</b> To Supply and Fit ,Roller blind, in a blackout fabric of your choice (band B). Manually operated with a right hand side silver chain	1	£ 184.00

Tel : (01534) 768141

[www.cpinteriors.ie](http://www.cpinteriors.ie)

Rue des Pres Trading Estate, St Saviour, Jersey, JE2 7QN

Subtotal : £ 5,553.00  
GST : £ 277.65  
Total : £ 5,830.65

50%

As with all our custom orders, we require a deposit of 40% at the time of placing your order, 40% on delivery to the island and 20% balance on completion. All prices are subject to GST.

**Our Price Promise to you, we will beat any written quotation by 5% (on equivalent specification).**

Thank you for your enquiry and we hope you will find this quotation acceptable. Should you require any further information, please contact us.

Yours sincerely  
Tamara

**To accept the above quotation, please indicate which option is required, sign below and return this letter together with your deposit. Please note extract of our terms and conditions below.**

.....  
**SIGNATURE**

.....  
**DATE**

Please note: This quotation is only valid for acceptance for 7 days. Our estimate does not include any electrical work or additional carpentry work to install the above unless otherwise specified. Please note there is a handling charge on customer own fabric of £5 per metre. Due to high costs of labour, pre-arranged missed fitting appointments will be charged on a time-wasted basis. Settlement is due on completion of works and an administration charge of £25 will be added per month if unpaid within 30 days. We reserve the right to charge for design, advice and liaison work carried out should an order not be placed. Goods remain the property of CP Interiors until full settlement is received. Should payment not be received we reserve the right to attend premises during working hours to remove goods and not be required to make good. Our full terms and conditions apply and are available on request.

As we no longer accept cheques, please do:

- Call us and pay by Card, we accept card transactions over the telephone and we will not charge you a handling fee.
- Bank details: Natwest, Sort Code 60-12-03, Account No 66577772 Carpet Protection (C.I) Ltd T/A CP Interiors

**If you pay your deposit by BACS payment, please confirm the details of your order by returning a signed copy of this letter**

5% discount if  
just over £5,000  
TO BE REQUOTED

Tel : (01534) 768141

[www.cpinteriors.je](http://www.cpinteriors.je)

Rue des Pres Trading Estate, St Saviour, Jersey, JE2 7QN

# PREMIERCHOICE

MANUFACTURERS OF QUALITY CUSTOM MADE CURTAINS, PELMETS AND BLINDS

CP INTERIORS JERSEY  
CP INTERIORS  
RUE DES PRES TRADING ESTATE  
ST SAVIOUR  
JERSEY  
JE2 7QN

Re: 537 / 1 - SO14203 GREENFIELDS CENTRE

27 January 2023

Dear Customer,

THIS IS AN ESTIMATE ONLY. SHOULD YOU WISH TO PLACE AN ORDER KINDLY SEND A DETAILED WORKSHEET WHERE POSSIBLE USING THE PREMIER CHOICE ORDER FORM TO [orders@premierchoice.co.uk](mailto:orders@premierchoice.co.uk)

We thank you for your enquiry and we have the pleasure in estimating you as follows:

## LOUNGE

1 Pair of Curtains Triple Pinch Pleat, Machine Finished Lined	£	256.02
Rail size of 210cm, Drop of 240cm, Overall rail size: 210cm, 3.2 Mts in each		
Making:	6	Widths
Fabric: Wide fabric - 300cm wide, no repeat	6.4	mts
Lining: FR Standard Lining	13.5	mts

£640

## LOUNGE

1 Pair of Curtains Triple Pinch Pleat, Machine Finished Lined	£	355.04
Rail size of 397cm, Drop of 240cm, Overall rail size: 397cm, 5.6 Mts in each		
Making:	8	Widths
Fabric: Wide fabric - 300cm wide, no repeat	11.2	mts
Lining: FR Standard Lining	21.6	mts

£888

---

<b>Others Subtotal:</b>	£	<b>611.06</b>
<b>Total:</b>	£	<b>611.06</b>

---

Any additional work, not mentioned in the above estimate, will be invoiced for.

THIS IS AN ESTIMATE ONLY.

SHOULD YOU WISH TO PLACE AN ORDER KINDLY SEND A DETAILED WORKSHEET WHERE POSSIBLE USING THE PREMIERCHOICE ORDER FORM.

ALL EMAILED ORDERS PLEASE EMAIL TO [ORDERS@PREMIERCHOICE.CO.UK](mailto:ORDERS@PREMIERCHOICE.CO.UK)  
PLEASE QUOTE ESTIMATE NUMBER SUPPLIED.

Lead Times are subject to availability.

Assuring you of our best attention at all times.

E.& O.E

Yours Faithfully  
Sally Waddilove  
Premierchoice Ltd

**Tropical Blinds Ltd**

Unit 6 and 7 Five Arches Business Est  
 off Maidstone Road  
 Sidcup  
 Kent  
 DA14 5AE  
 Tel: 020 8269 6400 Fax: 020 8269 6401

**Quotation**  
 Customer Copy

**Vat No:** 324 0532 02  
**Cust Order No:** SO14203 GREENFIELDS CENTRE  
**Order Date:** 10/02/2023  
**Order No:** 3151646  
**Cust Ref:**  
**Account Ref:** CPS007  
**Despatch Method:** DHL Carrier 2 NEW

**Order To:**  
 C.P Interiors 2  
 Rue Des Pres Trading Estate  
 St Saviour  
 Jersey  
 Channel Islands  
 JE2 7QN

**Deliver To:**  
 C.P Interiors 2  
 Rue Des Pres Trading Estate  
 St Saviour  
 Jersey  
 JE2 7QN

Type	Colour	Width	Drop	Quantity	Unit Price	Disc %	Net
Roller	Unishade Blockout FR Ash R/F 3m (D)880	1080	1080	3	84.68	51.92	122.14
32mm Roller Tube, Standard Brackets Req., Standard P.V.C. Bottom Rail - 5m - White, Right Hand Control, White, Silver No. 10 Metal Operating Chain, No Scallop, No Braid Required, N/A, No Pole, No Finial, No Eyelets Required, No Pull Required, No Hold Down Clips Required, Standard Roll, No Specials, No Specials, Easybreak No.10 Chain Connector - Grey For Metal Chain, Not Applicable Measurement: Recess Size SWSpec. ins: Location: Visiting Room Fitting ins:							
Roller	Unishade Blockout FR Ash R/F 3m (D)1100	1080	1080	1	98.57	51.92	47.39
32mm Roller Tube, Standard Brackets Req., Standard P.V.C. Bottom Rail - 5m - White, Left Hand Control, White, Silver No. 10 Metal Operating Chain, No Scallop, No Braid Required, N/A, No Pole, No Finial, No Eyelets Required, No Pull Required, No Hold Down Clips Required, Standard Roll, No Specials, No Specials, Easybreak No.10 Chain Connector - Grey For Metal Chain, Not Applicable Measurement: Recess Size SWSpec. ins: Location: Sensory Room Fitting ins:							
Roller	Unishade Blockout FR Ash R/F 3m (D)1100	1080	1080	1	98.57	51.92	47.39
32mm Roller Tube, Standard Brackets Req., Standard P.V.C. Bottom Rail - 5m - White, Left Hand Control, White, Silver No. 10 Metal Operating Chain, No Scallop, No Braid Required, N/A, No Pole, No Finial, No Eyelets Required, No Pull Required, No Hold Down Clips Required, Standard Roll, No Specials, No Specials, Easybreak No.10 Chain Connector - Grey For Metal Chain, Not Applicable Measurement: Recess Size SWSpec. ins: Location: Sensory Room Fitting ins:							

*Handwritten:* £142 each x 3 = £426  
 £158 x 3 = £474

*Handwritten:* £158 x 2 = £316

32mm Roller Tube, Standard Brackets Req., Standard P.V.C. Bottom Rail - 5m - White, Right Hand Control, White, Silver No. 10 Metal Operating Chain, No Scallop, No Braid Required, N/A, No Pole, No Finial, No Eyelets Required, No Pull Required, No Hold Down Clips Required, Standard Roll, No Specials, No Specials, Easybreak No.10 Chain Connector - Grey For Metal Chain, Not Applicable

Measurement: Recess Size SW/Spec. ins:  
Location: Sensory Room

Chain Length: 700

Roller	Unishade Blockout FR Ash R/F 3m (D)2900	1080	1	223.95	51.92	115.40
40mm Roller Tube, Standard Brackets Req., Standard P.V.C. Bottom Rail - 5m - White, Right Hand Control, White, Silver No. 10 Metal Operating Chain, No Scallop, No Braid Required, N/A, No Pole, No Finial, No Eyelets Required, No Pull Required, No Hold Down Clips Required, Standard Roll, No Specials, No Specials, Easybreak No.10 Chain Connector - Grey For Metal Chain, Not Applicable					16.06	

Measurement: Recess Size SW/Spec. ins:  
Location: Games Room

Chain Length: 700

£309

Roller	Unishade Blockout FR Ash R/F 3m (D)1100	1080	1	98.57	51.92	47.39
--------	---	------	---	-------	-------	-------

32mm Roller Tube, Standard Brackets Req., Standard P.V.C. Bottom Rail - 5m - White, Right Hand Control, White, Silver No. 10 Metal Operating Chain, No Scallop, No Braid Required, N/A, No Pole, No Finial, No Eyelets Required, No Pull Required, No Hold Down Clips Required, Standard Roll, No Specials, No Specials, Easybreak No.10 Chain Connector - Grey For Metal Chain, Not Applicable

Measurement: Recess Size SW/Spec. ins:  
Location: Lounge

Chain Length: 700

£158

Roller	Unishade Blockout FR Ash R/F 3m (D)1000	1300	1	93.53	51.92	44.97
--------	---	------	---	-------	-------	-------

32mm Roller Tube, Standard Brackets Req., Standard P.V.C. Bottom Rail - 5m - White, Right Hand Control, White, Silver No. 10 Metal Operating Chain, No Scallop, No Braid Required, N/A, No Pole, No Finial, No Eyelets Required, No Pull Required, No Hold Down Clips Required, Standard Roll, No Specials, No Specials, Easybreak No.10 Chain Connector - Grey For Metal Chain, Not Applicable

Measurement: Recess Size SW/Spec. ins:  
Location: Lounge

Chain Length: 800

£152

Roller	Unishade Blockout FR Ash R/F 3m (D)700	1400	1	89.43	51.92	43.00
--------	--	------	---	-------	-------	-------

32mm Roller Tube, Standard Brackets Req., Standard P.V.C. Bottom Rail - 5m - White, Right Hand Control, White, Silver No. 10 Metal Operating Chain, No Scallop, No Braid Required, N/A, No Pole, No Finial, No Eyelets Required, No Pull Required, No Hold Down Clips Required, Standard Roll, No Specials, No Specials, Easybreak No.10 Chain Connector - Grey For Metal Chain, Not Applicable

Measurement: Recess Size SW/Spec. ins:

Chain Length: 900

£148

Location: Lounge

Fitting ins:

Roller Unishade Blockout FR Ash R/F 3m (D)950 700 1 75.73 51.92 36.41

32mm Roller Tube, Standard Brackets Req., Standard P.V.C. Bottom Rail - 5m - White, Right Hand Control, White, Silver No. 10 Metal Operating Chain, No Scallop, No Braid Required, N/A, No Pole, No Finial, No Eyelets Required, No Pull Required, No Hold Down Clips Required, Standard Roll, No Specials, No Specials, Easybreak No.10 Chain Connector - Grey For Metal Chain, Not Applicable

Measurement: Blind Size Spec. ins: Chain Length: 400  
Location: Quiet Room Fitting ins:

£131

Roller Unishade Blockout FR Ash R/F 3m (D)1520 1150 1 126.41 51.92 60.78

32mm Roller Tube, Standard Brackets Req., Standard P.V.C. Bottom Rail - 5m - White, Left Hand Control, White, Silver No. 10 Metal Operating Chain, No Scallop, No Braid Required, N/A, No Pole, No Finial, No Eyelets Required, No Pull Required, No Hold Down Clips Required, Standard Roll, No Specials, No Specials, Easybreak No.10 Chain Connector - Grey For Metal Chain, Not Applicable

Measurement: Blind Size Spec. ins: Chain Length: 700  
Location: Office Fitting ins:

£192

Roller Unishade Blockout FR Ash R/F 3m (D)1460 1150 1 126.41 51.92 60.78

32mm Roller Tube, Standard Brackets Req., Standard P.V.C. Bottom Rail - 5m - White, Right Hand Control, White, Silver No. 10 Metal Operating Chain, No Scallop, No Braid Required, N/A, No Pole, No Finial, No Eyelets Required, No Pull Required, No Hold Down Clips Required, Standard Roll, No Specials, No Specials, Easybreak No.10 Chain Connector - Grey For Metal Chain, Not Applicable

Measurement: Blind Size Spec. ins: Chain Length: 700  
Location: Office Fitting ins:

£192

Roller Unishade Blockout FR Ash R/F 3m (D)600 1400 1 77.61 51.92 37.31

32mm Roller Tube, Standard Brackets Req., Standard P.V.C. Bottom Rail - 5m - White, Right Hand Control, White, Silver No. 10 Metal Operating Chain, No Scallop, No Braid Required, N/A, No Pole, No Finial, No Eyelets Required, No Pull Required, No Hold Down Clips Required, Standard Roll, No Specials, No Specials, Easybreak No.10 Chain Connector - Grey For Metal Chain, Not Applicable

Measurement: Blind Size Spec. ins: Chain Length: 900  
Location: Office Fitting ins:

£133

Roller Unishade Blockout FR Ash R/F 3m (D)970 1200 1 84.68 51.92 40.71

£142

32mm Roller Tube, Standard Brackets Req., Standard P.V.C. Bottom Rail - 5m - White, Right Hand Control, White, Silver No. 10 Metal Operating Chain, No Scallop, No Braid Required, N/A, No Pole, No Finial, No Eyelets Required, No Pull Required, No Hold Down Clips Required, Standard Roll, No Specials, No Specials, Easybreak No.10 Chain Connector - Grey For Metal Chain, Not Applicable  
Measurement: Blind Size Spec. ins:  
Location: Laundry Room Fitting ins:

Chain Length: 700

Net Total: 703.67  
VAT: 0.00  
Total: 703.67