

**EYELET CURTAIN ORDER FORM WEBSITE**

<b>COMPANY</b> CP Interiors	<b>CUSTOMER:</b> Nicola Greber	<b>ORDER REF:</b> SO14214	<b>CONTACT NAME:</b> Tamara
--------------------------------	-----------------------------------	------------------------------	--------------------------------

<b>FABRIC DETAILS:</b> Romo Linara Magenta 2494/282	<b>FABRIC WIDTH:</b> 140cm	<b>FABRIC REPEAT:</b> 0cm	<b>QUANTITY:</b> 10m	<b>RAILROAD:</b>
--	-------------------------------	------------------------------	-------------------------	------------------

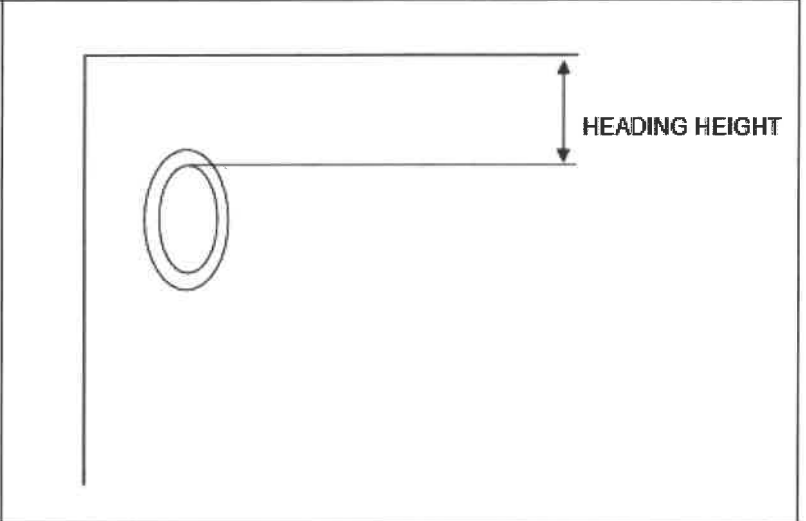
<b>COLOUR OF LINING IVORY OR ALMOND</b>	Ivory
---	-------

<b>DATE :</b> 09/02/2023	<b>PC PREMIUM LINING:</b> YES	<b>PC STANDARD LINING:</b>	<b>PC BLACKOUT LINING:</b>	<b>PC INTERLINING:</b>	<b>PC SATIN FLEECE LINING:</b>
-----------------------------	----------------------------------	----------------------------	----------------------------	------------------------	--------------------------------

<b>TRIM/BRAID /BORDER :</b>	<b>BORDER SIZE:</b>	<b>TOP:</b>	<b>BOTTOM:</b>	<b>LEADING EDGE:</b>	<b>RTN EDGE:</b>
-----------------------------	---------------------	-------------	----------------	----------------------	------------------

ALL MEASUREMENTS MUST BE IN METRIC		PAIR 1	PAIR 2	PAIR 3
<b>PAIR</b>		Dining Area Pair		
<b>SINGLE</b>				
<b>WIDTHS PER CURTAIN</b>				
<b>OVERALL DROP</b>		2190mm		
<b>HEADING HEIGHT</b>				
<b>TRACK SIZE</b>		2400mm		
<b>INTERLINED - HANDSEWN</b>				
<b>LINED - HANDSEWN</b>		YES		
<b>LINED - MACHINE</b>				
<b>BLACKOUT - HAND</b>				
<b>BLACKOUT - MACHINE</b>				

**ADDITIONAL INFORMATION:**  
10m of Romo Linara Magenta 2494/282 arriving from Romo. Fabric drop (hem to hem) is 2190mm, heading height is 3cm. Please return any fabric left.



EYELET SIZE	BLACK	BRASS	CHROME	COPPER	SATIN SILVER	ANTIQUE BRASS	OLD NICKEL
40MM					YES		
66MM							

<b>THIS ORDER INCLUDES ON A SEPARATE SHEET (PLEASE TICK APPROPRIATE BOX)</b>	CURTAINS
--	----------

*RA*

**EYELET CURTAIN ORDER FORM WEBSITE**

<b>COMPANY</b> CP Interiors	<b>CUSTOMER:</b> Nicola Greber	<b>ORDER REF:</b> S014214	<b>CONTACT NAME:</b> Tamara
--------------------------------	-----------------------------------	------------------------------	--------------------------------

<b>FABRIC DETAILS:</b> Romo Linara Lisianthus 2494/483	<b>FABRIC WIDTH:</b> 140cm	<b>FABRIC REPEAT:</b> 0cm	<b>QUANTITY:</b> 15.5m	<b>RAILROAD:</b>
---	-------------------------------	------------------------------	---------------------------	------------------

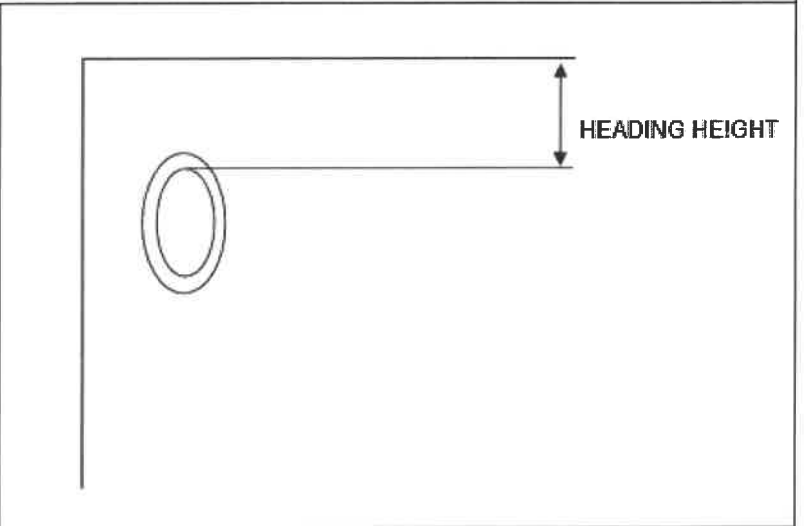
<b>COLOUR OF LINING IVORY OR ALMOND</b>	Ivory
---	-------

<b>DATE :</b> 09/02/2023	<b>PC PREMIUM LINING:</b> YES	<b>PC STANDARD LINING:</b>	<b>PC BLACKOUT LINING:</b>	<b>PC INTERLINING:</b>	<b>PC SATIN FLEECE LINING:</b>
-----------------------------	----------------------------------	----------------------------	----------------------------	------------------------	--------------------------------

<b>TRIM/BRAID /BORDER :</b>	<b>BORDER SIZE:</b>	<b>TOP:</b>	<b>BOTTOM:</b>	<b>LEADING EDGE:</b>	<b>RTN EDGE:</b>
-----------------------------	---------------------	-------------	----------------	----------------------	------------------

ALL MEASUREMENTS MUST BE IN METRIC		PAIR 1	PAIR 2	PAIR 3
<b>PAIR</b>		Living Area Pair		
<b>SINGLE</b>				
<b>WIDTHS PER CURTAIN</b>				
<b>OVERALL DROP</b>		2230mm		
<b>HEADING HEIGHT</b>				
<b>TRACK SIZE</b>		3450mm		
<b>INTERLINED - HANDSEWN</b>				
<b>LINED - HANDSEWN</b>		YES		
<b>LINED - MACHINE</b>				
<b>BLACKOUT - HAND</b>				
<b>BLACKOUT - MACHINE</b>				

**ADDITIONAL INFORMATION:**  
15.5m of Linara Lisianthus 2494/483 arriving from Romo. Fabric drop (hem to hem) is 2230mm, heading height is 3cm. Please return any fabric left



<b>EYELET SIZE</b>	<b>BLACK</b>	<b>BRASS</b>	<b>CHROME</b>	<b>COPPER</b>	<b>SATIN SILVER</b>	<b>ANTIQUE BRASS</b>	<b>OLD NICKEL</b>
40MM					YES		
66MM							

**THIS ORDER INCLUDES ON A SEPARATE SHEET (PLEASE TICK APPROPRIATE BOX)** CURTAINS

*RA*