



CP INTERIORS

November 16, 2022

REF : SO14011

Mr & Mrs. James & Charlotte Mulholland
Les Prairies Farm
La Rue Des Haies
Trinity,
Jersey
JE3 5FY

CUS. REF : Sails

Dear Mr & Mrs. James & Charlotte Mulh

As requested, we have pleasure in submitting our quotation for the following.

| Description | QTY | Price |
|--|-----|------------|
| Conservatory, Ivory chosen 29/11 To Supply and Fit ,Shade Sail, For medium coverage in a ISX fabric of your choice (colour to be decided), 3 sails per side. Budget price. | 1 | £ 4,200.00 |

.. Please note that the price and design can be tailored to suit your requirements. If you are interested in proceeding with the quote based on this estimate we will require an initial deposit of 10% of budget costing.
We will then arrange for a consultation where details of design options can be reviewed together with costings based on your final design.
As with all custom orders we will require an additional 40% deposit to proceed with the order with a 50% balance payable upon completion.,

Subtotal : £ 4,200.00

GST : £ 210.00

Total : £ 4,410.00

As with all our custom orders, we will require a deposit of 50%. All prices are subject to GST.

Our Price Promise to you, we will beat any written quotation by 5% (on equivalent specification).

Thank you for your enquiry and we hope you will find this quotation acceptable. Should you require any further information, please contact us.

Yours sincerely

Tamara

To accept the above quotation, please indicate which option is required, sign below and return this letter together with your deposit. Please note extract of our terms and conditions below.

.....
SIGNATURE

.....
DATE

Please note: This quotation is only valid for acceptance for 7 days. Our estimate does not include any electrical work or additional carpentry work to install the above unless otherwise specified. Please note there is a handling charge on customer own fabric of £5 per metre. Due to high costs of labour, pre-arranged missed fitting appointments will be charged on a time-wasted basis. Settlement is due on completion of works and an administration charge of £25 will be added per month if unpaid within 30 days. We reserve the right to charge for design, advice and liaison work carried out should an order not be placed. Goods remain the property of CP Interiors until full settlement is received. Should payment not be received we reserve the right to attend premises during working hours to remove goods and not be required to make good. Our full terms and conditions apply and are available on request.

As we no longer accept cheques, please do:

- Call us and pay by Card, we accept card transactions over the telephone and we will not charge you a handling fee.
- Bank details: Natwest, Sort Code 60-12-03, Account No 66577772
Carpet Protection (C.) Ltd T/A CP Interiors

If you pay your deposit by BACS payment, please confirm the details of your order by returning a signed copy of this letter

Tel : (01534) 768141

www.cpinteriors.je

Rue des Pres Trading Estate, St Saviour, Jersey, JE2 7QN

Blinds | Curtains | Awnings | Shutters | Furnishings | Interior Design | Project Management

QUOTATION QU-017458

Quote Date 30/11/2022
Valid Until 30/11/2022

| CUSTOMER | SHIP TO |
|---|---|
| CP Interiors Rue des Pres Trading Estate St Saviour Jersey JE2 7QN United Kingdom 01534 768 141 | Cp Sunblinds Rue des Pres Trading Estate St Saviour JE2 7QN United Kingdom 01534 768 141 |
| PO Code 9620-Mulholland-Opt01-ISX-Ivo | Payment Term 50% Deposit, 50% prior to Despatch Shipping Term Standard Delivery Charge |

| Item Name | Qty | UM | Item Description | Price | Disc % | Net Price | Ext Price |
|-----------------|------|------|---|--------|--------|-----------|-----------|
| MTM Sail (ISX) | 2.00 | EACH | InShade Sail 01/04 - Made to Measure Sail - See Returns Policy for Restrictions - 6 sided sail - ISX - NFR - Solid Ivory | 815.17 | 40.00 | 489.10 | 978.20 |
| MTM Sail (ISX) | 2.00 | EACH | InShade Sail 02/03 - Made to Measure Sail - See Returns Policy for Restrictions - 6 sided sail - ISX - NFR - Solid Ivory | 801.74 | 40.00 | 481.04 | 962.08 |
| IS fittings (6) | 4.00 | EACH | Inshade fitting kit (set of 6) - IS Fitting - 6mm eye plate - IS Fitting - 3/4" stainless screw - IS Fitting - jaw-hook swivel | 42.00 | 40.00 | 25.20 | 100.80 |
| NONSTOCK | 1.00 | EACH | Channel Islands Delivery | 22.00 | .00 | 22.00 | 22.00 |

This Quotation is based on supplied dimensions. Any changes to these or the specification will affect the final price.

To accept this Quotation, sign below and return with your payment - cheques made payable to Shadeplus. Cheques must be cleared before order despatch. We also accept payment by bank transfer or credit/debit card.

Sign here _____

| | |
|------------------|----------|
| Sub Total | 2,063.08 |
| P&P | .00 |
| Other | .00 |
| VAT | .00 |
| Due Total | 2,063.08 |
| Credits | .00 |
| Payments | .00 |
| Balance | 2,063.08 |

By accepting this Quotation, you agree to our standard Terms and Conditions.

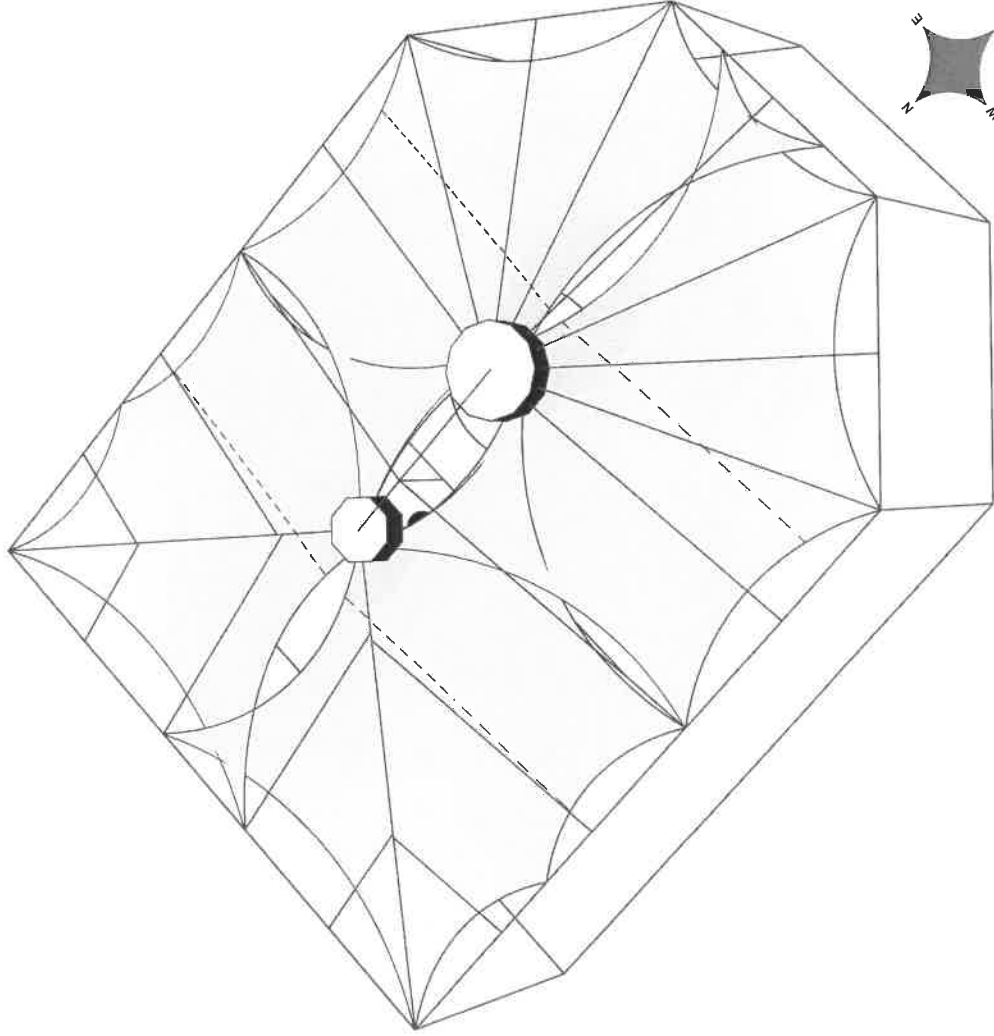
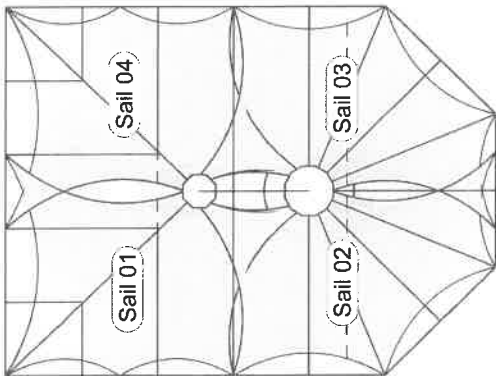
BANK DETAILS:

Lloyds TSB, Acc no. 00426122, Sort Code: 30-25-84, IBAN: GB66 TSBS 3025 8400 4261 22, BIC: TSBSGB21277

Design Proposal - Option 01

DESIGN NOTE ***please read before agreeing to design***

- Some sails may require a colour matched seam. This will be shown as red dashed lines where applicable.



Notes:

Edge curvatures are indicative only and may vary from those of the final product.

Design Shows :

4 x Made to Measure InShade Sails - ISX - Ivory (Sails are shown in Ivory for design clarity)

Obstructions: Tie-Bar

Special Fittings: None

Some sails may require a colour matched seam, this will be confirmed on receipt of final dimensions.

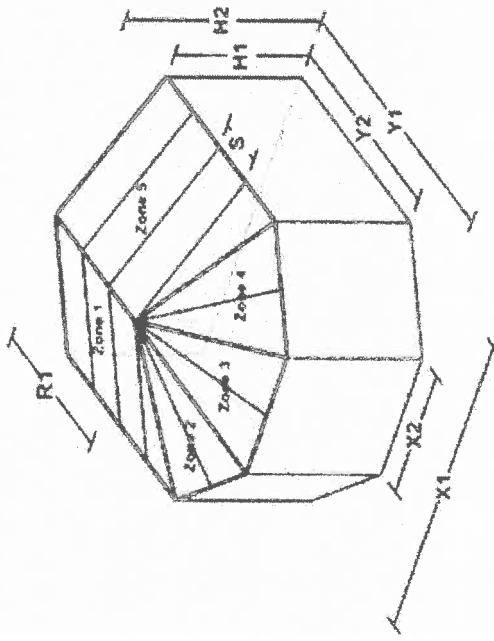
Supplied By :



t : 01534 768141 e : info@cpinteriors.je

Project: 72292-9620-Mulholland

Date: 28.11.22 Drawn: AB Check: --



All dims in mm

| | |
|----|------|
| X1 | 4470 |
| X2 | 1850 |
| Y1 | 6000 |
| Y2 | 4650 |
| H1 | 3300 |
| H2 | 3050 |
| R1 | 3300 |

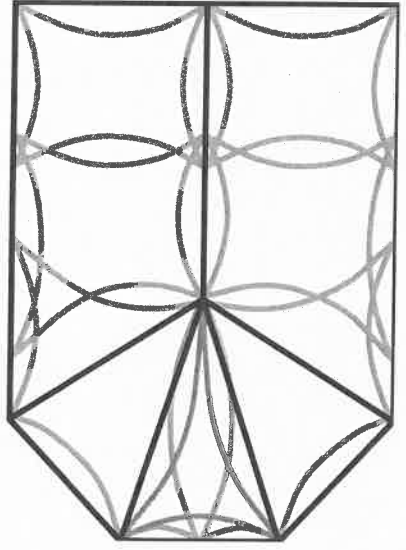
| | |
|--------------------------|------------------|
| Select coverage | Cover both sides |
| Number of sails per side | 3 |
| Front triangle sail | Yes |
| Middle triangle sails | No |
| Back triangle sail | No |

| | |
|---------------------------|----------|
| Reduce front gap size | Standard |
| Reduce middle gap size | 50% |
| Reduce right gap size | 50% |
| Total additional fittings | 0 |
| Total tie-bar loops | 0 |
| Total straight edges | 0 |

| | |
|------------------------|-----------------|
| Colour of main sails | ISX Solid |
| Colour of triangles | ISX Solid |
| Colour of fittings | Stainless steel |
| Number of window vents | 0 |

| | |
|--------------------|------|
| Max length of sail | 2249 |
| Max width of sail | 3375 |

Please note that sails larger than 2100mm in both directions, will require a colour matched seam.



Plan view - looking from above

Total budget cost incl.
Installation+VAT+Delivery

~~£4,128.36~~

We have told customer £4200.00

Tamara Lopez-Dominguez

From: InShade Sails <InShade@shadeplus.co.uk>
Sent: 16 November 2022 09:38
To: Tamara Lopez-Dominguez
Subject: RE: SO14011 Mulholland

Follow Up Flag: Follow up
Flag Status: Flagged

Hi Tamara,

Thanks for your email.

Please use the Victorian tab on the costing tool for this one with either a 4 or 6 sail design working well.

This will provide a close enough image and accurate costing for you to present to client initially. If the client is then interested in a solution at those rates please send us photos, a copy of the budget tool you created and the full client contact info so we can book in an online design session.

Thank

Matt

From: Tamara Lopez-Dominguez <Tamara@cpinteriors.ie>
Sent: 16 November 2022 09:31
To: InShade Sails <InShade@shadeplus.co.uk>
Subject: SO14011 Mulholland

Good morning,

We have a customer who is thinking of having some sails fitted in their conservatory.

As the design is not included in the spreadsheet we normally use to calculate the estimate, please see attached a drawing. If you could please provide a budget cost for medium and medium-high coverage, that would be great. Many thanks!

Kind regards

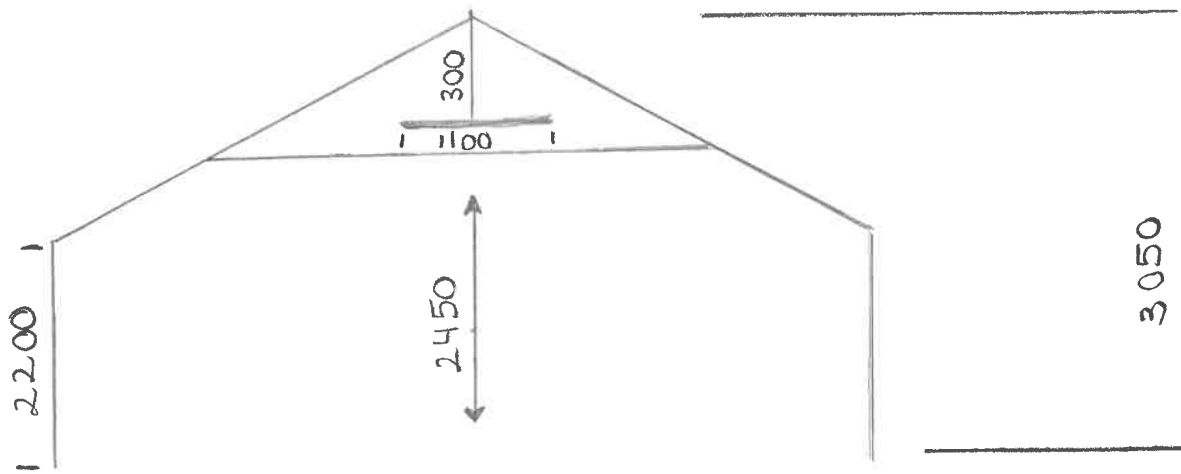
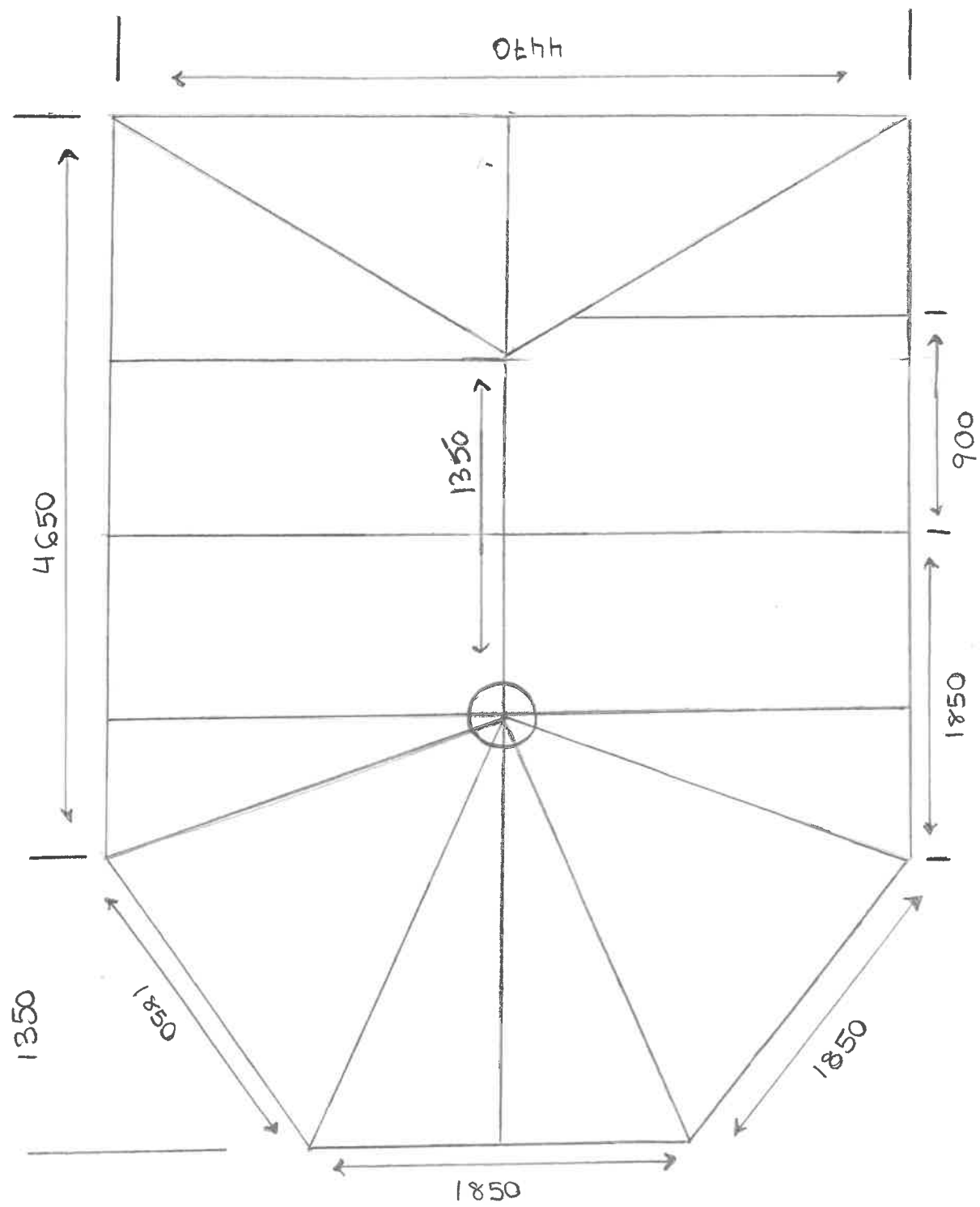
Tamara

Tamara Lopez Dominguez
Interior Design Advisor
tamara@cpinteriors.ie



Tel: (01534) 768141 www.cpinteriors.ie
Rue Des Pres Trading Estate, St Saviour, Jersey, JE2 7QP

Blinds | Curtains | Awnings | Shutters | Furnishings |
Interior Design | Project Management



Custom Sail Survey - Option 01

Additional Required Dims :

| S | Sail 01 | Sail 02 | Sail 03 | Sail 04 |
|------|----------|----------|----------|----------|
| 4.5 | AC 30.75 | AE 24.80 | AN 24.75 | AR 23.50 |
| 6.5 | AD 25.25 | EG 18.30 | NM 18.30 | RQ 25.70 |
| 5.5 | AE 24.80 | GH 18.00 | ML 18.05 | QP 13.00 |
| 1.60 | BD 30.00 | HJ 13.60 | LK 13.55 | PN 13.90 |
| | BE 38.50 | JF 23.15 | KF 24.05 | NF 24.05 |
| | FC 44.10 | FA 17.00 | FA 17.00 | FA 17.00 |
| | FD 34.20 | FE 26.10 | FN 26.20 | AQ 30.75 |
| | EY 6.75 | FG 24.70 | FM 24.70 | AP 25.00 |
| | | FH 24.10 | FL 24.05 | AN 24.75 |
| | | AG 34.10 | AM 34.10 | RP 30.05 |
| | | EH 33.75 | NL 33.80 | RN 38.50 |
| | | EJ 41.35 | NK 41.40 | FQ 44.05 |
| | | GJ 29.45 | MK 29.50 | FP 34.25 |
| | | | | NZ 6.80 |

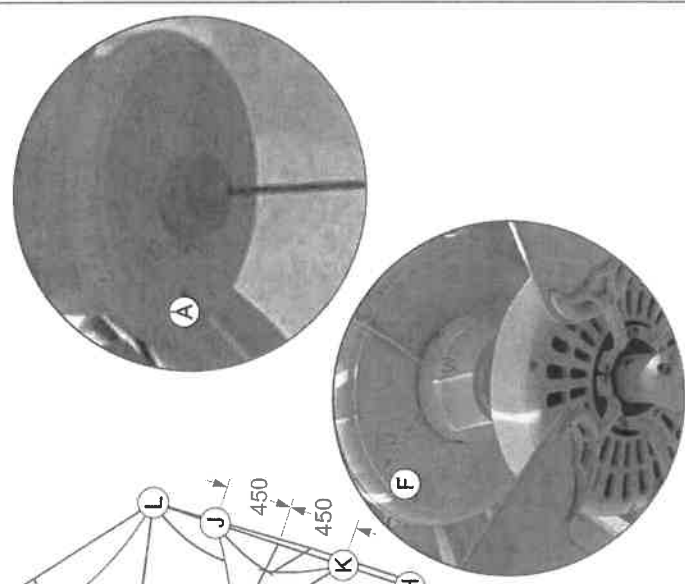
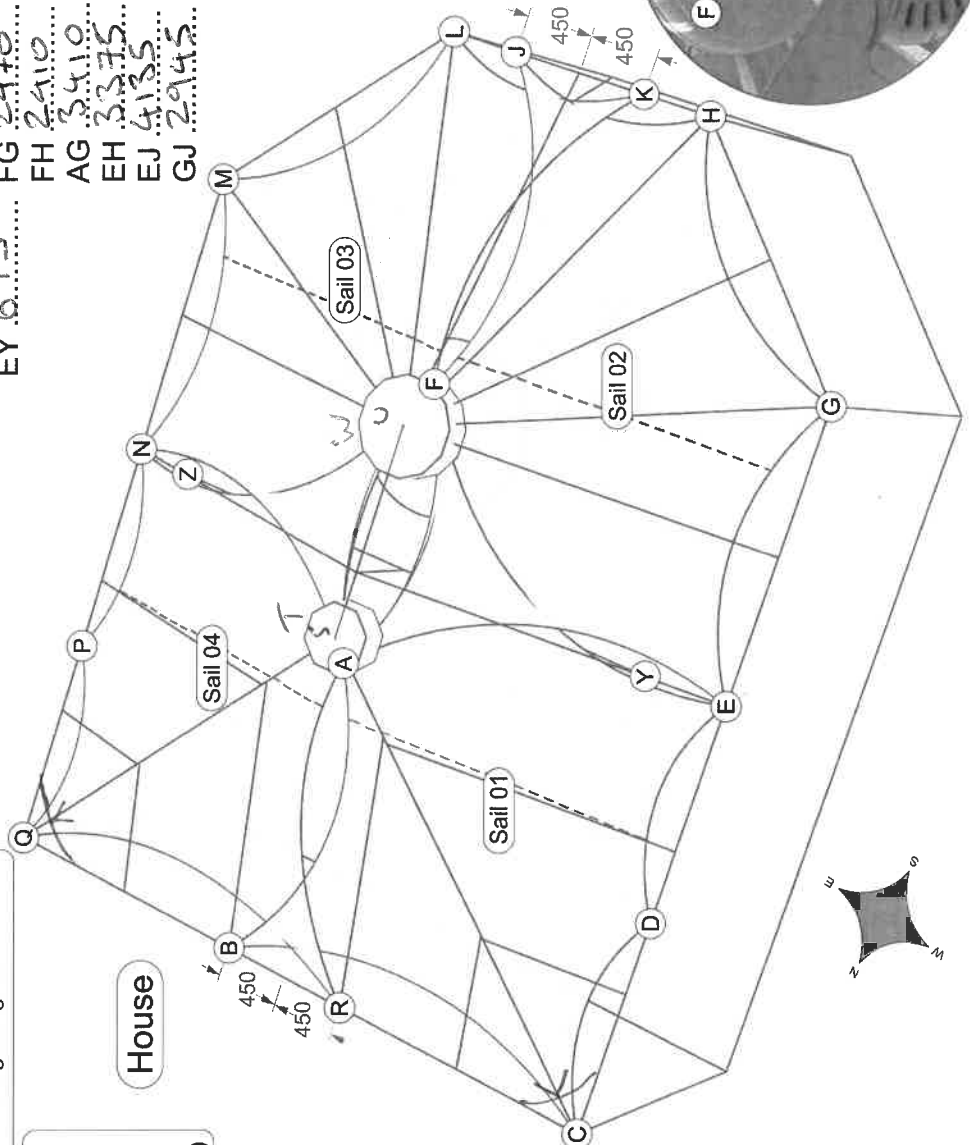
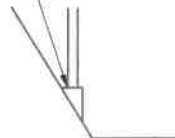
SURVEY CHECKLIST: ***to be completed on site***

- Points A/F to be positioned on the underside of timber bosses as per inset photos - as close to the outer edge as possible. Take additional dimensions - S/U are distances from eye-plates to fan/light base and T/W are diameters of fan/light base.
- All lower fitting points should be fixed to the fascia at a suitable for fixing level, with C/Q on the house side fascia and G/H/L/M on the chamfer fascias. D/P to be at midpoints of glazing panels.
- Points B/P to be set at 450mm away from the central glazing panel midpoint or in-line with glazing bars if difference is less than 30mm.
- Points K/J to be set at 450mm away from the glazing bar.

Confirmation required for the following:

- Colour of Fabric
 - Colour of Fittings
- (Please note white & gold fittings carry a surcharge of £2+VAT per sail corner.)

Measure Y & Z to this point on top of tie bar



| | |
|--|-----------------------------|
| Notes: | |
| Survey points to be taken from point on conservatory where eye plates are to be fixed. | |
| MARK ALL POINTS BEFORE COMMENCING SURVEY | |
| Dimensions should be taken as accurately as possible ideally +/-3mm | |
| Design Shows: 4 x Made to Measure InShade Sails - ISX - Ivory (Sails are shown in Ivory for design clarity) | |
| Obstructions: Tie-Bar | |
| Special Fittings: None | |
| t : 01788 450083 | e : inshade@shadepius.co.uk |
| Project: 72292-9620-Mulholland | |
| Date: 07.12.22 | Drawn: AB |
| | Check: LW |

Mulholland

5014011

