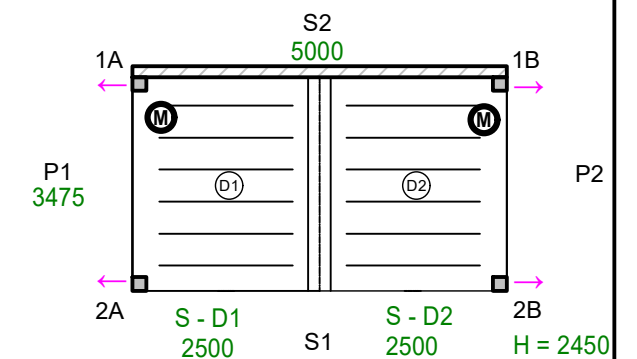
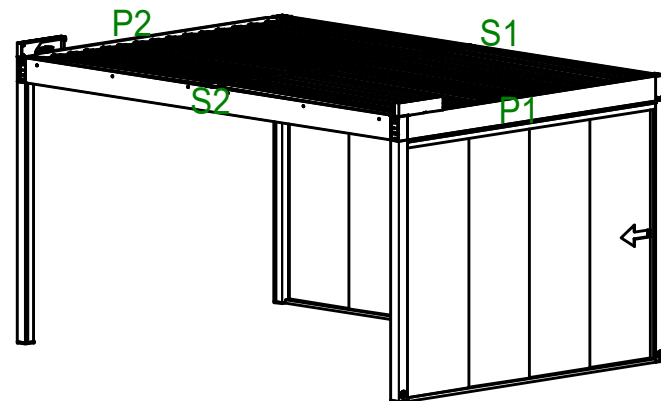
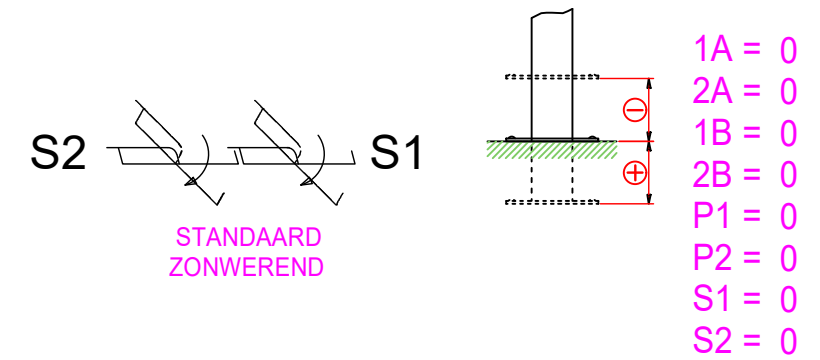
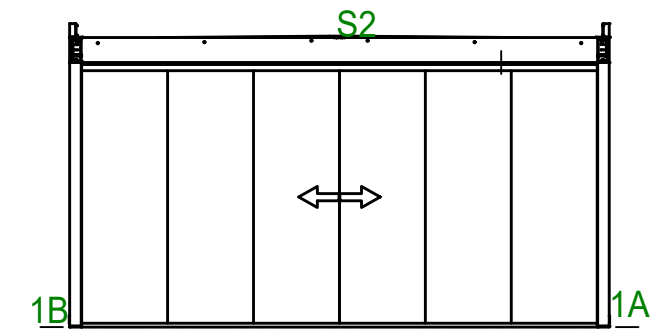
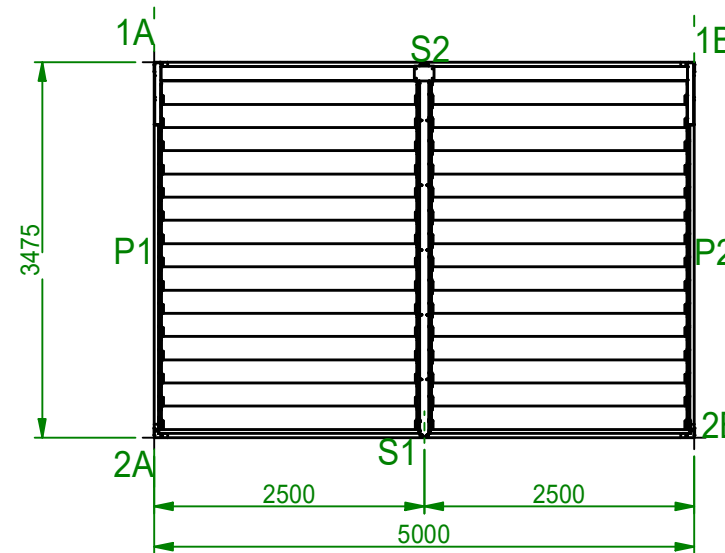
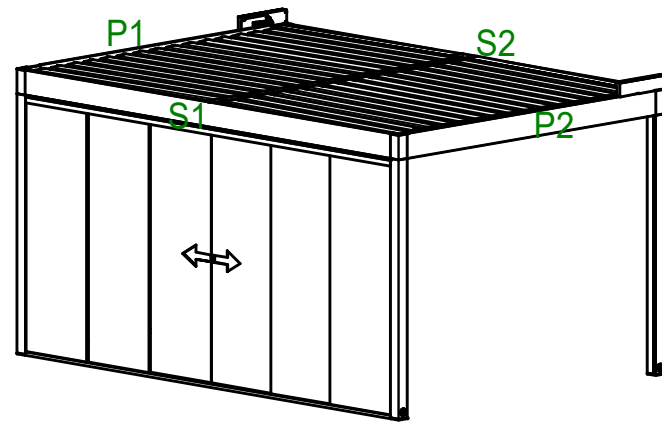
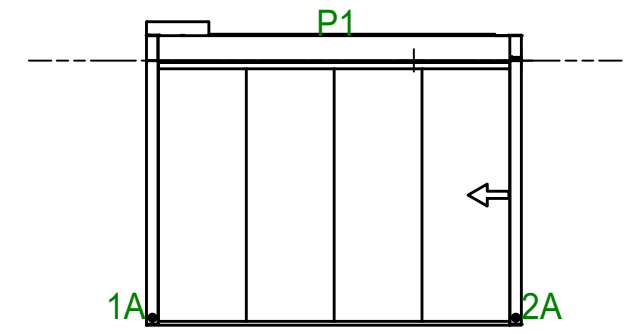
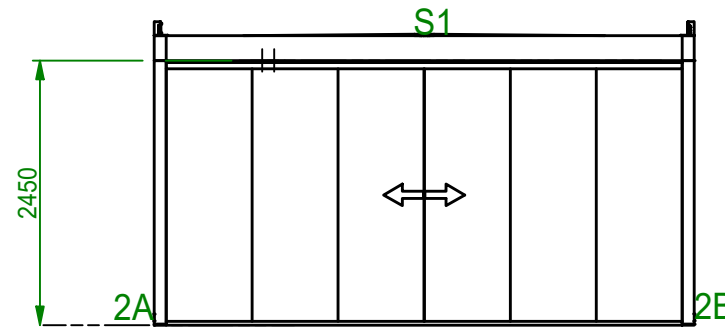
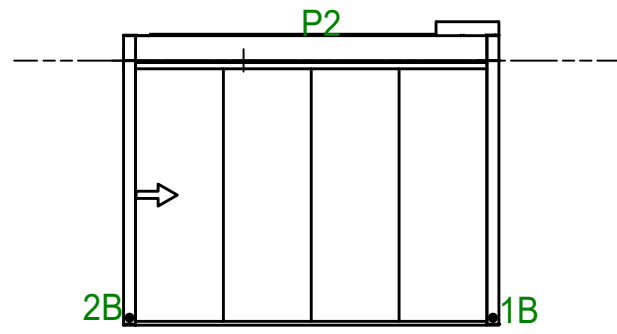



Depending on the phase you are in you have received a quote or an order drawing. The quote drawing is a standard drawing based on a standard configuration. Any remarks and/or attachments are not visible on the quote drawing. In the order drawing we integrate as much as possible any remarks and/or attachments. Remarks or attachments that can not be integrated in the order drawing will be considered when your order goes in production.



 <small>www.renson.eu - 8790 Waregem (Belgium)</small> <small>This drawing is owned by RENSON and may not be copied or shown to third parties without written permission.</small>	Client Reference :	Sheet : 1/1
	Orderline ref. : 20052147001000.112379	Scale : 1:1
Client :	Creation date : 11/10/2022 - 14:31:01	Drawn : autohoc10
Color :	Size : A3	units in mm