

weinor Ltd 73 Cornhill EC3V 3QQ London

C P Interiors

**Rue Des Pres Trading Estate
GB-JE2 7QN St Saviour Jersey**

delivery address

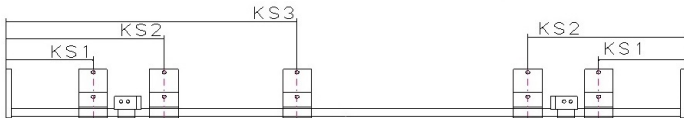
DSV Road Ltd
(NO UPS)
10 Brunel Way, Segensworth Industrial Estate
GB-PO15 5TX Hampshire, Fareham
NO UPS

ORDER CONFIRMATION (release 1)

sales order no.: 202712489 of 28.09.2022
customer: 165708
reference: El Tico Manual
Your order no.: SO13686
contact person: William Abbott
E-Mail: WAbbott@weinor.de
phone number: +49-221-59709-472
representat.: 654 Chris Spickett
tel (representat.): 0044 (0) 7894443907

pos	quantity	article code
-----	----------	--------------

1	1,00	1540 I 2000
---	------	-------------



expected delivery date	: 24.10.2022		
Product use	: private house		
width (cm)	: 650	cm	
Number of panels	: one-piece		
Projection [cm]	: 250	cm	3.590,00
Base colour	: WT029/90147 Approx. RAL 9007 Metallic		
no. of arms	: 2	Piece	
insulation [mm]	: 0	mm	
bracket type 1	: wall bracket 85 mm compl.		
number of brackets 1	: 3	Piece	66,00

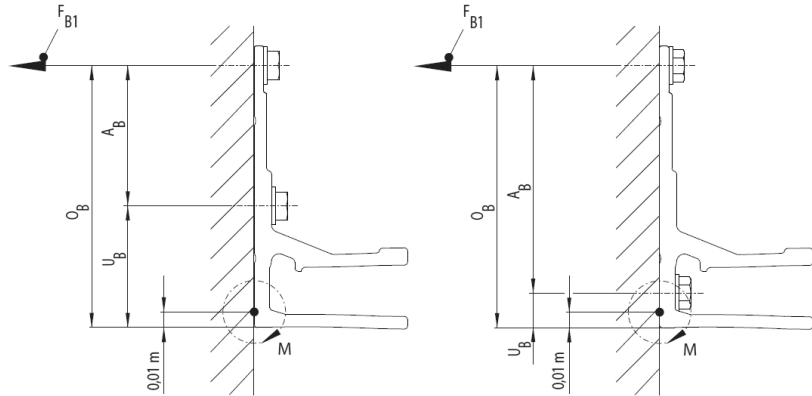
weinor Ltd
73 Cornhill
GB-EC3V 3QQ London
weinor.com

Managing Director:
Thilo Weiermann
General partner:
Weinor Beteiligungs-GmbH
Köln

VAT no.: 335 2381 16
Company no.: 12193066
UTR no.: 33431 24084
EORI no.: GB335238116000

Domestic transfers:
Commerzbank London
Sort Code: 406201
Account Number: 307 537 10

International transfers:
Commerzbank London
IBAN: GB51 COBA 4062 0130 7537 10
Swift: MIDLGB22 a/c COBAGB2X



Force 1 means the pull-out force per upper fastener F(B).

FB1 Force 1 per fixing point	: 3656	N
Torque per folding arm [Nm]	: 578	Nm

Please note that your selected awning configuration results in the following forces per upper fixing point (pull-out, lateral and/or shear forces). These must be accounted for by using suitable fixings.

Bracket position KS 1 left [mm]	: 460	mm	
bracket position KS 1 right [mm]	: 460	mm	
bracket position KS 3 [mm]	: 3105	mm	
arm position A1 left	: 550	mm	
arm position A1 right	: 550	mm	
type of control	: crank		-258,00
type of gear	: 4.4 zu 1	Freilaufgetriebe 4.4 zu 1 + Metallscheibe	
Side of control (seen from the front)	: right		
length of handle	: 200	cm	
real-design	: WE3-509	my collections	
Glue fabric?	: no, sewn fabric		
colour of thread Saba	: RAL 7001 Silver grey		
Cardboard packaging	: edges reinforcement		
weight	: 100,5	kg	

weinor Ltd 73 Cornhill EC3V 3QQ London

customer: 165708 sales order 202712489

Page 3 of 4

pos	quantity	article code
-----	----------	--------------

value of goods	discount amount / %	net
3.398,00	1.359,20 / 40,00	2.038,80

999 1,00 127887-0000 net material cost surcharge

price per unit	: 52	52,00
Pos 1 - I 2000 - 52,00 GBP		52,00

value of goods	discount amount / %	net
52,00	0,00 / 0,00	52,00

value of goods	discount amount	net	VAT (0 %)	Total GBP
3.450,00	1.359,20	2.090,80	0,00	2.090,80

weinor Ltd
73 Cornhill
GB-EC3V 3QQ London
weinor.com

Managing Director:
Thilo Weiermann
General partner:
Weinor Beteiligungs-GmbH
Köln

VAT no.: 335 2381 16
Company no.: 12193066
UTR no.: 33431 24084
EORI no.: GB335238116000

Domestic transfers:
Commerzbank London
Sort Code: 406201
Account Number: 307 537 10

International transfers:
Commerzbank London
IBAN: GB51 COBA 4062 0130 7537 10
Swift: MIDLGB22 a/c COBAGB2X

Our spoken and written advice focuses on an explanation of the best possible use of our products and services. It does not liberate you from the obligation to check fitness of our products and services for your particular purpose. That includes the inspection of the general condition and especially maximum capacity load of fixing base as well as forwarding all respective information in addition to your order to weinor. That way delivery of the correct type and number of brackets is guaranteed. If our product can not be used as upon agreement due to false or lacking information we or any auxiliary person do accept contractual or non-contractual liabilities only in case of malicious intent or gross negligence.

Attention! In case of missing specification regarding brackets we deliver the awning including the correspondent brackets for wall fixing on concrete C20/25 with a header cowling up to 200 mm (non pressure resistant base). Please note that those brackets are not suitable for wall fixing other than concrete C20/25.

In this case we extend the delivery period in order for you to check your specific application and if necessary hand in the required information.

In order to mount all brackets corresponding their fixing base you will need suitable mounting systems. For mounting on concrete C20/25 we recommend heavy duty anchor-systems from fischer (e.g. FAZ II M12/10 GS or FAZ II M12/30 GS). In case of mounting on any other base referred to in our pricelist or on frontal concrete ceiling we recommend the use of injection systems from fischer (e.g. FIS V 360 S). You can order them directly from us.

If you use a different mounting system or your own brackets, you will need a table of pull-out resistance of screw anchors in order to determine the working load.

In addition, our General Terms of Delivery and Payment as per 12/2021, published under the link provided below are valid and we are happy to provide you with them free of charge upon request.

<https://www.weinor.com/terms-and-conditions/>

delivery exw Cologne
 payment: With direct debit 5% discount payment
 mode of dispatch UK export