



Tried ringing customer. No answer. Emailed them instead.
REF: SO13608
23/09

August 30, 2022

Ms. Julie Leventhal
Le Camelia
2 Le Catelet
La Route De St Jean
St John
JE3 4EN

Dear Ms. Julie Leventhal

As requested, we have pleasure in submitting our quotation for the following.

Description	QTY	Price
Living Area, To Supply and Fit ,Awning / Canopy, Opal Design II full cassette electrical operated awning, with vibration sensor, powder coated frame in WT029/90147, and in a P/6-374 fabric. Width 4m x 3.5m projection, including remote control.	1	£ 5,335.00
Dining Area, To Supply and Fit ,Awning / Canopy, Opal Design II full cassette electrical operated awning, with vibration sensor, powder coated frame in WT029/90147, and in a P/6-374 fabric. Width 5m x 4m projection, including remote control.	1	£ 5,935.00
.. Electrical works not included,		
Subtotal :		£ 11,270.00
GST :		£ 563.50
Total :		£ 11,833.50

As with all our custom orders, we will require a deposit of 50%. All prices are subject to GST.

Our Price Promise to you, we will beat any written quotation by 5% (on equivalent specification).

Thank you for your enquiry and we hope you will find this quotation acceptable. Should you require any further information, please contact us.

Yours sincerely
showroom

To accept the above quotation, please indicate which option is required, sign below and return this letter together with your deposit. Please note extract of our terms and conditions below.

.....
SIGNATURE

.....
DATE

Please note: This quotation is only valid for acceptance for 7 days. Our estimate does not include any electrical work or additional carpentry work to install the above unless otherwise specified. Please note there is a handling charge on customer own fabric of £5 per metre. Due to high costs of labour, pre-arranged missed fitting appointments will be charged on a time-wasted basis. Settlement is due on completion of works and an administration charge of £25 will be added per month if unpaid within 30 days. We reserve the right to charge for design, advice and liaison work carried out should an order not be placed. Goods remain the property of CP Interiors until full settlement is received. Should payment not be received we reserve the right to attend premises during working hours to remove goods and not be required to make good. Our full terms and conditions apply and are available on request.

As we no longer accept cheques, please do:

- Call us and pay by Card, we accept card transactions over the telephone and we will not charge you a handling fee.
- Bank details: Natwest, Sort Code 60-12-03, Account No 66577772

If you pay your deposit by BACS payment, please confirm the details of your order by returning a signed copy of this letter

Tel : (01534) 768141

www.cpinteriors.je

Rue des Pres Trading Estate, St Saviour, Jersey, JE2 7QN

Configuration details



weinor Ltd 73 Cornhill EC3V 3QQ London

C P Interiors

Rue Des Pres Trading Estate
GB-JE2 7QN St Saviour Jersey

sales order no.: 503437344
reference: Peter Leventhal
Your order no.: SO13608
weinor customernumber: 165708
creation Date: 11.11.2022
weinor pers. in charge: William Abbott
phone / fax number: +49-221-59709-472
representat.: Chris Spickett
tel (representat.): 0044 (0) 7894443907

pos	quantity	article	price
1	1	weinor Opal Design II	3.103,60

Product use	: private house	
width (cm)	: 400 cm	
Projection [cm]	: 350 cm	2.973,00
Base colour	: WT029/90147 Approx. RAL 9007 Metallic	
Folding arm design	: Arm with LongLife technology and high-tech belt	
no. of arms	: 2 arms	
insulation [mm]	: 0 mm	
bracket type 1	: wall fixing 150 mm Opal Design II	
number of brackets 1	: 2 Piece	74,00
FB1 Force 1 per fixing point	: 2706 N	
Torque per folding arm [Nm]	: 687 Nm	
bracket position left 1st array	: 16,5 cm	
bracket position right 1st array	: 16,5 cm	
type of control	: engine	
Side of control (seen from the front)	: right	
With remote control BiConnectWith remote control BiConnect	: Yes! Please remind the separate order!	
Information on BiConnect	: The BiConnect has been done in 503437344 position 3!	
Info Agido	: Due to the dimensions of this unit, the Agido cannot be used here!	
lead cable	: 118841-0000 Kabel 3G1 L4200 OE/STAK3	
Hirschmann plug?	: Hirschmann plug not assembled	13,00
type of motor	:	
Wall connection seal	: with wall connection	43,60
real-design	: WE6-374/Weitex Classic my collections	

*(position Added) ✓
later on*

weinor Ltd
73 Cornhill
GB-EC3V 3QQ London
weinor.com

Managing Director:
Thilo Weiermann
General partner:
Weinor Beteiligungs-GmbH
Köln

VAT no.: 335 2381 16
Company no.: 12193066
UTR no.: 33431 24084
EORI no.: GB335238116000

Domestic transfers:
Commerzbank London
Sort Code: 406201
Account Number: 307 537 10

International transfers:
Commerzbank London
IBAN: GB51 COBA 4062 0130 7537 10
Swift: MIDLGB22 a/c COBAG82X

Configuration details

weinor Ltd 73 Cornhill EC3V 3QQ London

customer:	165708	reference:	Peter Leventhal	Page 2 of 5	
pos	quantity	article			price
colour of thread Saba		: RAL 7001 Silver grey			
Cardboard packaging		: edges reinforcement			
weight		: 64 kg			
			value of goods	discount amount / %	net
			3.103,60	1.241,44 / 40,00	1.862,16

Configuration details



weinor Ltd 73 Cornhill EC3V 3QQ London

customer: 165708 reference: Peter Leventhal Page 3 of 5

pos quantity article price

2 1 weinor Opal Design II 3.503,50

Product use : private house
width (cm) : 500 cm ✓
Projection [cm] : 400 cm ✓
Base colour : WT029/90147 Approx. RAL 9007 Metallic
Folding arm design : Arm with LongLife technology and high-tech belt
no. of arms : 2 arms
insulation [mm] : 0 mm
bracket type 1 : wall fixing 150 mm Opal Design II ✓
number of brackets 1 : 2 Piece 74,00
FB1 Force 1 per fixing point : 4682 N
Torque per folding arm [Nm] : 1189 Nm
bracket position left 1st array : 25 cm
bracket position right 1st array : 25 cm
type of control : engine
Side of control (seen from the front) : left ✓

With remote control BiConnectWith : Yes! Please remind the separate order! ✓
remote control BiConnect

Information on BiConnect : The BiConnect has been done in 503437344 position 3!
lead cable : 118841-0000 Kabel 3G1 L4200 OE/STAK3
Hirschmann plug? : Hirschmann plug not assembled 13,00
type of motor :
Wall connection seal : with wall connection 54,50
real-design : WE6-374 Weitex Classic my collections
colour of thread Saba : RAL 7001 Silver grey
Cardboard packaging : edges reinforcement
weight : 79 kg

value of goods	discount amount / %	net
3.503,50	1.401,40 / 40,00	2.102,10

Configuration details

weinor Ltd 73 Cornhill EC3V 3QQ London

customer: 165708 reference: Peter Leventhal Page 4 of 5

pos	quantity	article	price
-----	----------	---------	-------

3	1	weinor BiConnect	497,00
---	---	------------------	--------

deliver BiConnect separate?	: No; supply receiver and handheld remote control with awning		
shipment info	: The pre set receivers (except LED) and the handset will be packed with contract number 503437344 pos 1!		
receiver for motor	: 2 BiRec MA, basic ✓		222,00
control	: weinor BiConnect BiEasy 5M silver ✓		121,00
learned on channel 1	: BiRec MA-K, basic for order 503437344/1: Opal Design II engine right ✓		
learned on channel 2	: BiRec MA-K, basic for order 503437344/2: Opal Design II engine left ✓		
No. of BiSens Agido-3V	: 1 Piece ✓ (second Agido ordered separately)		154,00
	value of goods	discount amount / %	net
	497,00	198,80 / 40,00	298,20

4	1	weinor BiConnect Individual components	154,00
---	---	--	--------

Base colour	: WT029/90147 Approx. RAL 9007 Metallic ✓		
116987-0000 BiSens Agido-3V	: 1 Piece ✓		154,00
	value of goods	discount amount / %	net
	154,00	61,60 / 40,00	92,40

Configuration details

weinor Ltd 73 Cornhill EC3V 3QQ London

customer: 165708 reference: Peter Leventhal Page 5 of 5

pos	quantity	article	price
999	1	weinor Netto-Materialkostenzuschlag	72,00

price per unit : 72 72,00
 Pos 1 - Opal Design II - 32,00 GBP
 Pos 2 - Opal Design II - 40,00 GBP

At least one item from your order has been ordered for approval. The later valid net material cost surcharge cannot currently be calculated and may differ from the value specified here.

value of goods	discount amount / %	net
72,00	0,00 / 0,00	72,00

value of goods GBP	discount amount	net GBP	VAT (0 %)	Total GBP
7.330,10	2.903,24	4.426,86	0,00	4.426,86



1	1x Opal Design II	1,862.16 GBP		
2	1x Opal Design II	2,102.10 GBP		
3	1x BiConnect	298.20 GBP		
4	1x BiConnect Individual components	92.40 GBP		
999	1x net material cost surcharge	72.00 GBP		

weinor Ltd 73 Cornhill EC3V 3QQ London

C P Interiors

Rue Des Pres Trading Estate GB-JE2 7QN St Saviour Jersey

delivery address

DSV Road Ltd
(NO UPS)
10 Brunel Way, Segensworth Industrial Estate
GB-PO15 5TX Hampshire, Fareham
NO UPS

ORDER CONFIRMATION (release 1)

sales order no.: 202721648 of 11.11.2022
customer: 165708
reference: Peter Leventhal
Your order no.: SO13608
contact person: William Abbott
E-Mail: WAbbott@weinor.de
phone number: +49-221-59709-472
representat.: 654 Chris Spickett
tel (representat.): 0044 (0) 7894443907

pos	quantity	article code
-----	----------	--------------

1	1,00	1883	Opal Design II
---	------	------	----------------

expected delivery date	:	05.12.2022	
Product use	:	private house	
width (cm)	:	400	cm
Projection [cm]	:	350	cm 2.973,00
Base colour	:	WT029/90147 Approx. RAL 9007 Metallic	
Folding arm design	:	Arm with LongLife technology and high-tech belt	
no. of arms	:	2	arms
insulation [mm]	:	0	mm
bracket type 1	:	wall fixing 150 mm Opal Design II	
number of brackets 1	:	2	Piece 74,00

weinor Ltd
73 Cornhill
GB-EC3V 3QQ London
weinor.com

Managing Director:
Thilo Weiermann
General partner:
Weinor Beteiligungs- GmbH
Köln

VAT no.: 335 2381 16
Company no.: 12193066
UTR no.: 33431 24084
EORI no.: GB335238116000

Domestic transfers:
Commerzbank London
Sort Code: 406201
Account Number: 307 537 10

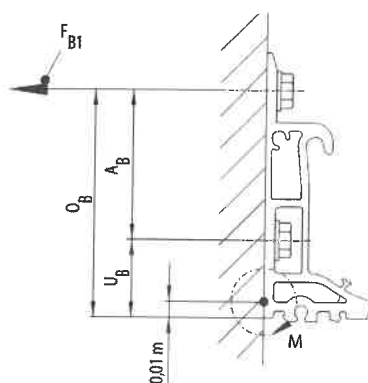
International transfers:
Commerzbank London
IBAN: GB51 COBA 4062 0130 7537 10
Swift: MIDLGB22 a/c COBAGB2X

weinor Ltd 73 Cornhill EC3V 3QQ London

customer: 165708 sales order 202721648

Page 2 of 7

pos	quantity	article code
-----	----------	--------------



Force 1 means the pull-out force per upper fastener F(B).

FB1 Force 1 per fixing point : 2706 N

Torque per folding arm [Nm] : 687 Nm

Please note that your selected awning configuration results in the following forces per upper fixing point (pull-out, lateral and/or shear forces). These must be accounted for by using suitable fixings.

bracket position left 1st array : 16,5 cm

bracket position right 1st array : 16,5 cm

type of control : engine

Side of control (seen from the front) : right

With remote control : Yes! Please remind the separate order!

BiConnectWith remote control
BiConnect

Information on BiConnect : The BiConnect has been done in 202721648 position 3!

Info Agido : Due to the dimensions of this unit, the Agido cannot be used here!

lead cable : 118841-0000 Kabel 3G1 L4200 OE/STAK3

Hirschmann plug? : Hirschmann plug not assembled 13,00

type of motor : Motor L50-17-E12-V1+ ohne Zubehör

Wall connection seal : with wall connection 43,60

real-design : WE6-374 weitex classic my collections

weinor Ltd
73 Cornhill
GB-EC3V 3QQ London
weinor.com

Managing Director:
Thilo Weiermann
General partner:
Weinor Beteiligungs-GmbH
Köln

VAT no.: 335 2381 16
Company no.: 12193066
UTR no.: 33431 24084
EORI no.: GB335238116000

Domestic transfers:
Commerzbank London
Sort Code: 406201
Account Number: 307 537 10

International transfers:
Commerzbank London
IBAN: GB51 COBA 4062 0130 7537 10
Swift: MIDLGB22 a/c COBAGB2X

weinor Ltd 73 Cornhill EC3V 3QQ London

customer: 165708 sales order 202721648

Page 3 of 7

pos quantity article code

colour of thread Saba : RAL 7001 Silver grey
 Cardboard packaging : edges reinforcement
 weight : 64 kg

value of goods	discount amount / %	net
3.103,60	1.241,44 / 40,00	1.862,16

weinor Ltd
 73 Cornhill
 GB-EC3V 3QQ London
 weinor.com

Managing Director:
 Thilo Weiermann
 General partner:
 Weinor Beteiligungs-GmbH
 Köln

VAT no.: 335 2381 16
 Company no.: 12193066
 UTR no.: 33431 24084
 EORI no.: GB335238116000

Domestic transfers:
 Commerzbank London
 Sort Code: 406201
 Account Number: 307 537 10

International transfers:
 Commerzbank London
 IBAN: GB51 COBA 4062 0130 7537 10
 Swift: MIDLGB22 a/c COBAGB2X

weinor Ltd 73 Cornhill EC3V 3QQ London

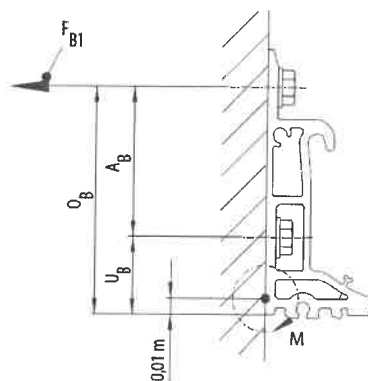
customer: 165708 sales order 202721648

Page 4 of 7

pos	quantity	article code
-----	----------	--------------

2	1,00	1883	Opal Design II
---	------	------	----------------

expected delivery date	: 05.12.2022		
Product use	: private house		
width (cm)	: 500	cm	
Projection [cm]	: 400	cm	3.362,00
Base colour	: WT029/90147 Approx. RAL 9007 Metallic		
Folding arm design	: Arm with LongLife technology and high-tech belt		
no. of arms	: 2	arms	
insulation [mm]	: 0	mm	
bracket type 1	: wall fixing 150 mm Opal Design II		
number of brackets 1	: 2	Piece	74,00



Force 1 means the pull-out force per upper fastener F(B).

FB1 Force 1 per fixing point	: 4682	N
Torque per folding arm [Nm]	: 1189	Nm

Please note that your selected awning configuration results in the following forces per upper fixing point (pull-out, lateral and/or shear forces). These must be accounted for by using suitable fixings.

bracket position left 1st array	: 25	cm
bracket position right 1st array	: 25	cm
type of control	: engine	

weinor Ltd
73 Cornhill
GB-EC3V 3QQ London
weinor.com

Managing Director:
Thilo Weiermann
General partner:
Weinor Beteiligungs-GmbH
Köln

VAT no.: 335 2381 16
Company no.: 12193066
UTR no.: 33431 24084
EORI no.: GB335238116000

Domestic transfers:
Commerzbank London
Sort Code: 406201
Account Number: 307 537 10

International transfers:
Commerzbank London
IBAN: GB51 COBA 4062 0130 7537 10
Swift: MIDLGB22 a/c COBAGB2X

weinor Ltd 73 Cornhill EC3V3QQ London

customer: 165708 sales order 202721648

Page 5 of 7

pos	quantity	article code
-----	----------	--------------

Side of control (seen from the front)	:	left	
With remote control BiConnect With remote control BiConnect	:	Yes! Please remind the separate order!	
Information on BiConnect	:	The BiConnect has been done in 202721648 position 3!	
lead cable	:	118841-0000 Kabel 3G1 L4200 OE/STAK3	
Hirschmann plug?	:	Hirschmann plug not assembled	13,00
type of motor	:	Motor L50-17-E12-V1+ ohne Zubehör	
Wall connection seal	:	with wall connection	54,50
real-design	:	WE6-374	weitex classic my collections
colour of thread Saba	:	RAL 7001 Silver grey	
Cardboard packaging	:	edges reinforcement	
weight	:	79	kg

value of goods	discount amount / %	net
3.503,50	1.401,40 / 40,00	2.102,10

weinor Ltd
73 Cornhill
GB-EC3V 3QQ London
weinor.com

Managing Director:
Thilo Weiermann
General partner:
Weinor Beteiligungs-GmbH
Köln

VAT no.: 335 2381 16
Company no.: 12193066
UTR no.: 33431 24084
EORI no.: GB335238116000

Domestic transfers:
Commerzbank London
Sort Code: 406201
Account Number: 307 537 10

International transfers:
Commerzbank London
IBAN: GB51 COBA 4062 0130 7537 10
Swift: MIDLGB22 a/c COBAGB2X

weinor Ltd 73 Cornhill EC3V 3QQ London

customer: 165708 sales order 202721648

pos quantity article code

3 1,00 2557 BiConnect

expected delivery date : 05.12.2022

deliver BiConnect separate? : No; supply receiver and handheld remote control with awning

shipment info : The pre set receivers (except LED) and the handset will be packed with contract number 202721648 pos 1!

receiver for motor : 2 BiRec MA, basic 222,00

control : BiConnect BiEasy 5M (silver version) 121,00

learned on channel 1 : BiRec MA-K, basic for order 202721648/1: Opal Design II engine right

learned on channel 2 : BiRec MA-K, basic for order 202721648/2: Opal Design II engine left

No. of BiSens Agido-3V : 1 Piece 154,00

value of goods	discount amount / %	net
497,00	198,80 / 40,00	298,20

4 1,00 2558 BiConnect Individual components

expected delivery date : 05.12.2022

Base colour : WT029/90147 Approx. RAL 9007 Metallic

116987-0000 BiSens Agido-3V : 1 Piece 154,00

value of goods	discount amount / %	net
154,00	61,60 / 40,00	92,40

weinor Ltd 73 Cornhill EC3V 3QQ London

customer: 165708 sales order 202721648

Page 7 of 7

pos	quantity	article code
-----	----------	--------------

999	1,00	127887-0000 net material cost surcharge
-----	------	---

price per unit	72	72,00
Pos 1 - Opal Design II - 32,00 GBP		72,00
Pos 2 - Opal Design II - 40,00 GBP		

value of goods	discount amount / %	net		
72,00	0,00 / 0,00	72,00		
value of goods	discount amount	net	VAT (0 %)	Total GBP
7.330,10	2.903,24	4.426,86	0,00	4.426,86

Our spoken and written advice focuses on an explanation of the best possible use of our products and services. It does not liberate you from the obligation to check fitness of our products and services for your particular purpose. That includes the inspection of the general condition and especially maximum capacity load of fixing base as well as forwarding all respective information in addition to your order to weinor. That way delivery of the correct type and number of brackets is guaranteed. If our product can not be used as upon agreement due to false or lacking information we or any auxiliary person do accept contractual or non-contractual liabilities only in case of malicious intent or gross negligence.

In addition, our General Terms of Delivery and Payment as per 12/2021, published under the link provided below are valid and we are happy to provide you with them free of charge upon request.

<https://www.weinor.com/terms-and-conditions/>

delivery exw Cologne
 payment: With direct debit 5% discount payment
 mode of dispatch UK export

weinor Ltd
 73 Cornhill
 GB-EC3V 3QQ London
 weinor.com

Managing Director:
 Thilo Weiermann
 General partner:
 Weinor Beteiligungs-GmbH
 Köln

VAT no.: 335 2381 16
 Company no.: 12193066
 UTR no.: 33431 24084
 EORI no.: GB335238116000

Domestic transfers:
 Commerzbank London
 Sort Code: 406201
 Account Number: 307 537 10

International transfers:
 Commerzbank London
 IBAN: GB51 COBA 4062 0130 7537 10
 Swift: MIDLGB22 a/c COBAGB2X