

weinor Ltd 73 Cornhill EC3V 3QQ London

## C P Interiors

**Rue Des Pres Trading Estate  
GB-JE2 7QN St Saviour Jersey**

### delivery address

DSV Road Ltd  
(NO UPS)  
10 Brunel Way, Segensworth Industrial Estate  
GB-PO15 5TX Hampshire, Fareham  
NO UPS

## ORDER CONFIRMATION (release 1)

sales order no.: 202721648 of 11.11.2022  
customer: 165708  
reference: Peter Leventhal  
Your order no.: SO13608  
contact person: William Abbott  
E-Mail: WAbbott@weinor.de  
phone number: +49-221-59709-472  
representat. 654 Chris Spickett  
tel (representat.): 0044 ( 0) 7894443907

pos	quantity	article code	
-----	----------	--------------	--

1	1,00	1883	Opal Design II
---	------	------	----------------

expected delivery date	:	05.12.2022	
Product use	:	private house	
width (cm)	:	400	cm
Projection [cm]	:	350	cm
Base colour	:	WT029/90147 Approx. RAL 9007 Metallic	2.973,00
Folding arm design	:	Arm with LongLife technology and high-tech belt	
no. of arms	:	2	arms
insulation [mm]	:	0	mm
bracket type 1	:	wall fixing 150 mm Opal Design II	
number of brackets 1	:	2	Piece
			74,00

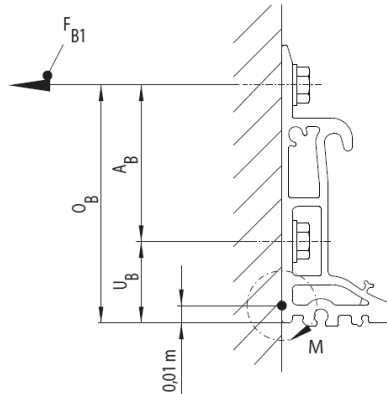
weinor Ltd  
73 Cornhill  
GB-EC3V 3QQ London  
weinor.com

Managing Director:  
Thilo Weiermann  
General partner:  
Weinor Beteiligungs-GmbH  
Köln

VAT no.: 335 2381 16  
Company no.: 12193066  
UTR no.: 33431 24084  
EORI no.: GB335238116000

**Domestic transfers:**  
Commerzbank London  
Sort Code: 406201  
Account Number: 307 537 10

**International transfers:**  
Commerzbank London  
IBAN: GB51 COBA 4062 0130 7537 10  
Swift: MIDLGB22 a/c COBAGB2X



**Force 1 means the pull-out force per upper fastener F(B).**

FB1 Force 1 per fixing point	: 2706	N
Torque per folding arm [Nm]	: 687	Nm

**Please note that your selected awning configuration results in the following forces per upper fixing point (pull-out, lateral and/or shear forces). These must be accounted for by using suitable fixings.**

bracket position left 1st array	: 16,5	cm
bracket position right 1st array	: 16,5	cm
type of control	: engine	
Side of control (seen from the front)	: right	
With remote control	: Yes! Please remind the separate order!	
BiConnectWith remote control		
BiConnect		
Information on BiConnect	: The BiConnect has been done in 202721648 position 3!	
Info Agido	: Due to the dimensions of this unit, the Agido cannot be used here!	
lead cable	: 118841-0000 Kabel 3G1 L4200 OE/STAK3	
Hirschmann plug?	: Hirschmann plug not assembled	13,00
type of motor	: Motor L50-17-E12-V1+ ohne Zubehör	
Wall connection seal	: with wall connection	43,60
real-design	: WE6-374	weitex classic my collections

weinor Ltd 73 Cornhill EC3V 3QQ London

customer: 165708 sales order 202721648

Page 3 of 7

**pos quantity article code**

colour of thread Saba : RAL 7001 Silver grey  
 Cardboard packaging : edges reinforcement  
 weight : 64 kg

value of goods	discount amount / %	net
3.103,60	1.241,44 / 40,00	1.862,16

weinor Ltd  
 73 Cornhill  
 GB-EC3V 3QQ London  
 weinor.com

Managing Director:  
 Thilo Weiermann  
 General partner:  
 Weinor Beteiligungs-GmbH  
 Köln

VAT no.: 335 2381 16  
 Company no.: 12193066  
 UTR no.: 33431 24084  
 EORI no.: GB335238116000

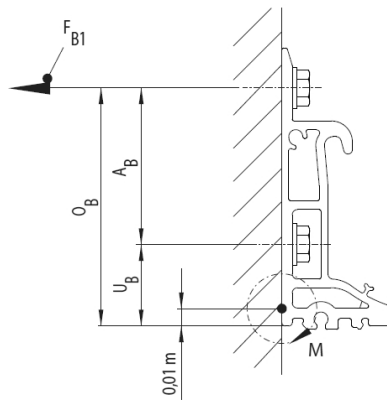
**Domestic transfers:**  
 Commerzbank London  
 Sort Code: 406201  
 Account Number: 307 537 10

**International transfers:**  
 Commerzbank London  
 IBAN: GB51 COBA 4062 0130 7537 10  
 Swift: MIDLGB22 a/c COBAGB2X

pos	quantity	article code
-----	----------	--------------

2	1,00	1883	Opal Design II
---	------	------	----------------

expected delivery date	: 05.12.2022		
Product use	: private house		
width (cm)	: 500	cm	
Projection [cm]	: 400	cm	3.362,00
Base colour	: WT029/90147 Approx. RAL 9007 Metallic		
Folding arm design	: Arm with LongLife technology and high-tech belt		
no. of arms	: 2	arms	
insulation [mm]	: 0	mm	
bracket type 1	: wall fixing 150 mm Opal Design II		
number of brackets 1	: 2	Piece	74,00



**Force 1 means the pull-out force per upper fastener F(B).**

FB1 Force 1 per fixing point	: 4682	N
Torque per folding arm [Nm]	: 1189	Nm

**Please note that your selected awning configuration results in the following forces per upper fixing point (pull-out, lateral and/or shear forces). These must be accounted for by using suitable fixings.**

bracket position left 1st array	: 25	cm
bracket position right 1st array	: 25	cm
type of control	: engine	

weinor Ltd 73 Cornhill EC3V 3QQ London

customer: 165708 sales order 202721648

Page 5 of 7

pos	quantity	article code
-----	----------	--------------

Side of control (seen from the front)	:	left	
With remote control BiConnect	:	Yes! Please remind the separate order!	
Information on BiConnect	:	The BiConnect has been done in 202721648 position 3!	
lead cable	:	118841-0000 Kabel 3G1 L4200 OE/STAK3	
Hirschmann plug?	:	Hirschmann plug not assembled	13,00
type of motor	:	Motor L50-17-E12-V1+ ohne Zubehör	
Wall connection seal	:	with wall connection	54,50
real-design	:	WE6-374	weitex classic my collections
colour of thread Saba	:	RAL 7001 Silver grey	
Cardboard packaging	:	edges reinforcement	
weight	:	79	kg

value of goods	discount amount / %	net
3.503,50	1.401,40 / 40,00	2.102,10

weinor Ltd  
73 Cornhill  
GB-EC3V 3QQ London  
weinor.com

Managing Director:  
Thilo Weiermann  
General partner:  
Weinor Beteiligungs-GmbH  
Köln

VAT no.: 335 2381 16  
Company no.: 12193066  
UTR no.: 33431 24084  
EORI no.: GB335238116000

**Domestic transfers:**  
Commerzbank London  
Sort Code: 406201  
Account Number: 307 537 10

**International transfers:**  
Commerzbank London  
IBAN: GB51 COBA 4062 0130 7537 10  
Swift: MIDLGB22 a/c COBAGB2X

weinor Ltd 73 Cornhill EC3V 3QQ London

customer: 165708 sales order 202721648

Page 6 of 7

pos	quantity	article code
-----	----------	--------------

3	1,00	2557	BiConnect
---	------	------	-----------

expected delivery date	: 05.12.2022
------------------------	--------------

deliver BiConnect separate?	: No; supply receiver and handheld remote control with awning
-----------------------------	---

shipment info	: The pre set receivers (except LED) and the handset will be packed with contract number 202721648 pos 1!
---------------	---

receiver for motor	: 2	BiRec MA, basic	222,00
--------------------	-----	-----------------	--------

control	: BiConnect BiEasy 5M (silver version)	121,00
---------	--	--------

learned on channel 1	: BiRec MA-K, basic	for order 202721648/1: Opal Design II engine right
----------------------	---------------------	---

learned on channel 2	: BiRec MA-K, basic	for order 202721648/2: Opal Design II engine left
----------------------	---------------------	--

No. of BiSens Agido-3V	: 1	Piece	154,00
------------------------	-----	-------	--------

value of goods	discount amount / %	net
497,00	198,80 / 40,00	298,20

4	1,00	2558	BiConnect Individual components
---	------	------	---------------------------------

expected delivery date	: 05.12.2022
------------------------	--------------

Base colour	: WT029/90147 Approx. RAL 9007 Metallic
-------------	---

116987-0000 BiSens Agido-3V	: 1	Piece	154,00
-----------------------------	-----	-------	--------

value of goods	discount amount / %	net
154,00	61,60 / 40,00	92,40

weinor Ltd  
73 Cornhill  
GB-EC3V 3QQ London  
weinor.com

Managing Director:  
Thilo Weiermann  
General partner:  
Weinor Beteiligungs-GmbH  
Köln

VAT no.: 335 2381 16  
Company no.: 12193066  
UTR no.: 33431 24084  
EORI no.: GB335238116000

**Domestic transfers:**  
Commerzbank London  
Sort Code: 406201  
Account Number: 307 537 10

**International transfers:**  
Commerzbank London  
IBAN: GB51 COBA 4062 0130 7537 10  
Swift: MIDLGB22 a/c COBAGB2X

weinor Ltd 73 Cornhill EC3V 3QQ London

customer: 165708 sales order 202721648

Page 7 of 7

pos	quantity	article code
-----	----------	--------------

999	1,00	127887-0000 net material cost surcharge
-----	------	---

price per unit	: 72	72,00
Pos 1 - Opal Design II - 32,00 GBP		72,00
Pos 2 - Opal Design II - 40,00 GBP		

value of goods	discount amount / %	net
72,00	0,00 / 0,00	72,00

value of goods	discount amount	net	VAT (0 %)	Total GBP
7.330,10	2.903,24	4.426,86	0,00	4.426,86

Our spoken and written advice focuses on an explanation of the best possible use of our products and services. It does not liberate you from the obligation to check fitness of our products and services for your particular purpose. That includes the inspection of the general condition and especially maximum capacity load of fixing base as well as forwarding all respective information in addition to your order to weinor. That way delivery of the correct type and number of brackets is guaranteed. If our product can not be used as upon agreement due to false or lacking information we or any auxiliary person do accept contractual or non-contractual liabilities only in case of malicious intent or gross negligence.

In addition, our General Terms of Delivery and Payment as per 12/2021, published under the link provided below are valid and we are happy to provide you with them free of charge upon request.

<https://www.weinor.com/terms-and-conditions/>

delivery exw Cologne  
 payment: With direct debit 5% discount payment  
 mode of dispatch UK export

weinor Ltd  
 73 Cornhill  
 GB-EC3V 3QQ London  
 weinor.com

Managing Director:  
 Thilo Weiermann  
 General partner:  
 Weinor Beteiligungs-GmbH  
 Köln

VAT no.: 335 2381 16  
 Company no.: 12193066  
 UTR no.: 33431 24084  
 EORI no.: GB335238116000

**Domestic transfers:**  
 Commerzbank London  
 Sort Code: 406201  
 Account Number: 307 537 10

**International transfers:**  
 Commerzbank London  
 IBAN: GB51 COBA 4062 0130 7537 10  
 Swift: MIDLGB22 a/c COBAGB2X