



CP INTERIORS

mail boelwe ✓

August 03, 2022

REF : SO13557

Mrs. Horsfall
Apt 15 Southbeach
Greve Dazette
St Clement

JE2-6PX

Dear Mrs. Horsfall

As requested, we have pleasure in submitting our quotation for the following.


Description	QTY	Price
Balcony, To Supply and Fit ,Awning / Canopy, Cassita II full cassette electrical operated awning, with vibration sensor, powder coated in RAL 9010 with a standard acrylic fabric of your choice. 5.5m x 2m projection, including remote control	1	£ 4,904.00
Subtotal :		£ 4,904.00
GST :		£ 245.20
Total :		£ 5,149.20

excludes electrical works

As with all our custom orders, we will require a deposit of 50%. All prices are subject to GST.

Our Price Promise to you, we will beat any written quotation by 5% (on equivalent specification).

Thank you for your enquiry and we hope you will find this quotation acceptable. Should you require any further information, please contact us.

Yours sincerely
Tamara 

To accept the above quotation, please indicate which option is required, sign below and return this letter together with your deposit. Please note extract of our terms and conditions below.

.....
SIGNATURE

.....
DATE

Please note: This quotation is only valid for acceptance for 7 days. Our estimate does not include any electrical work or additional carpentry work to install the above unless otherwise specified. Please note there is a handling charge on customer own fabric of £5 per metre. Due to high costs of labour, pre-arranged missed fitting appointments will be charged on a time-wasted basis. Settlement is due on completion of works and an administration charge of £25 will be added per month if unpaid within 30 days. We reserve the right to charge for design, advice and liaison work carried out should an order not be placed. Goods remain the property of CP Interiors until full settlement is received. Should payment not be received we reserve the right to attend premises during working hours to remove goods and not be required to make good. Our full terms and conditions apply and are available on request.

As we no longer accept cheques, please do:

- Call us and pay by Card, we accept card transactions over the telephone and we will not charge you a handling fee.
- Bank details: Natwest, Sort Code 60-12-03, Account No 66577772

If you pay your deposit by BACS payment, please confirm the details of your order by returning a signed copy of this letter

Tel : (01534) 768141

www.cpinteriors.je

Rue des Pres Trading Estate, St Saviour, Jersey, JE2 7QN

Blinds | Curtains | Awnings | Shutters | Furnishings | Interior Design | Project Management

weinor Ltd 73 Cornhill EC3V 3QQ London

C P Interiors

**Rue Des Pres Trading Estate
GB-JE2 7QN St Saviour Jersey**

delivery address

DSV Road Ltd
(NO UPS)
10 Brunel Way, Segensworth Industrial Estate
GB-PO15 5TX Hampshire, Fareham
NO UPS

ORDER CONFIRMATION (release 1)

sales order no.:	202708660 of 12.09.2022
customer:	165708
reference:	Horsfall
Your order no.:	SO13557
contact person:	William Abbott
E-Mail	WAbbott@weinor.de
phone number:	+49-221-59709-472
representat.	654 Chris Spickett
tel (representat.):	0044 (0) 7894443907

Dear Weinor Partner,

with immediate effect our new bank account for the weinor Ltd. is active and can be used !

We kindly ask you to send and place all payment in the favour of weinor Ltd. to the following Bank Details.


Commerzbank London
Sort Code: 406201
Account Number: 307 537 10
In favour of : Weinor Ltd.

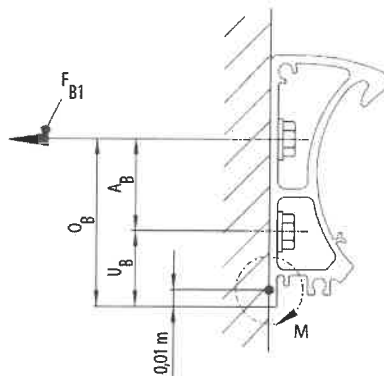
Thank you very much for your support.

weinor Ltd 73 Cornhill EC3V 3QQ London

pos	quantity	article code
-----	----------	--------------

1	1,00	1303 Cassita II
---	------	-----------------

expected delivery date	: 24.10.2022		
Product use	: private house		
width (cm)	: 550	cm	
Projection [cm]	: 200	cm	2.589,00
Base colour	: RAL 9010 Pure white		
	: 		
no. of arms	: 2	Piece	
insulation [mm]	: 0	mm	
bracket type 1	: wall fixing		
number of brackets 1	: 2	Piece	54,00



Force 1 means the pull-out force per upper fastener F(B).

FB1 Force 1 per fixing point	: 1699	N
Torque per folding arm [Nm]	: 306	Nm

Please note that your selected awning configuration results in the following forces per upper fixing point (pull-out, lateral and/or shear forces). These must be accounted for by using suitable fixings.

bracket position left [mm]	: 90	mm
bracket position right [mm]	: 90	mm

weinor Ltd
73 Cornhill
GB-EC3V 3QQ London
weinor.com

Managing Director:
Thilo Weiermann
General partner:
Weinor Beteiligungs-GmbH
Köln

VAT no.: 335 2381 16
Company no.: 12193066
UTR no.: 33431 24084
EORI no.: GB335238116000

Domestic transfers:
Commerzbank London
Sort Code: 406201
Account Number: 307 537 10

International transfers:
Commerzbank London
IBAN: GB51 COBA 4062 0130 7537 10
Swift: MIDLGB22 a/c COBAGB2X

weinor Ltd 73 Cornhill EC3V 3QQ London

customer: 165708 sales order 202708660

Page 3 of 4

pos	quantity	article code
-----	----------	--------------

arm position left	:	58	mm	
arm position right	:	58	mm	
type of control	:	ioHomeControl		123,00
Side of control (seen from the front)	:	left		
Hirschmann plug?	:	Hirschmann plug not assembled		13,00
control	:	without control		
info about radio engine without hand transmitter	:	A suitable hand-held transmitter is required to operate the remote-controlled motor! The awning cannot be opened or retracted without a transmitter		
type of motor	:	Motor Sfy Sunea50 io 40/17	ohne Zubehör	
real-design	:	WE4-778	my collections	
colour of thread Saba	:	dark blue		
Cardboard packaging	:	edges reinforcement		
weight	:	72	kg	

value of goods	discount amount / %	net
2.779,00	1.111,60 / 40,00	1.667,40

999 1,00 127887-0000 net material cost surcharge

price per unit	:	44		44,00
Pos 1 - Cassita II - 44,00 GBP				44,00

value of goods	discount amount / %	net
44,00	0,00 / 0,00	44,00

weinor Ltd
73 Cornhill
GB-EC3V 3QQ London
weinor.com

Managing Director:
Thilo Weiermann
General partner:
Weinor Beteiligungs-GmbH
Köln

VAT no.: 335 2381 16
Company no.: 12193066
UTR no.: 33431 24084
EORI no.: GB335238116000

Domestic transfers:
Commerzbank London
Sort Code: 406201
Account Number: 307 537 10

International transfers:
Commerzbank London
IBAN: GB51 COBA 4062 0130 7537 10
Swift: MIDLGB22 a/c COBAGB2X

weinor Ltd 73 Cornhill EC3V 3QQ London

customer: 165708 sales order 202708660

Page 4 of 4

pos	quantity	article code
-----	----------	--------------

value of goods	discount amount	net	VAT (0 %)	Total GBP
2.823,00	1.111,60	1.711,40	0,00	1.711,40

Our spoken and written advice focuses on an explanation of the best possible use of our products and services. It does not liberate you from the obligation to check fitness of our products and services for your particular purpose. That includes the inspection of the general condition and especially maximum capacity load of fixing base as well as forwarding all respective information in addition to your order to weinor. That way delivery of the correct type and number of brackets is guaranteed. If our product can not be used as upon agreement due to false or lacking information we or any auxiliary person do accept contractual or non-contractual liabilities only in case of malicious intent or gross negligence.

In order to mount all brackets corresponding their fixing base you will need suitable mounting systems. For mounting on concrete C20/25 we recommend heavy duty anchor-systems from fischer (e.g. FAZ II M12/10 GS or FAZ II M12/30 GS). In case of mounting on any other base referred to in our pricelist or on frontal concrete ceiling we recommend the use of injection systems from fischer (e.g. FIS V 360 S). You can order them directly from us.

If you use a different mounting system or your own brackets, you will need a table of pull-out resistance of screw anchors in order to determine the working load.

This order confirmation is according to the current terms of payment and delivery.

<https://www.weinor.com/agb/>

delivery exw Cologne
 payment: With direct debit 5% discount payment
 mode of dispatch UK export

Configuration details

weinor Ltd 73 Cornhill EC3V 3QQ London

C P Interiors

Rue Des Pres Trading Estate
GB-JE2 7QN St Saviour Jersey

sales order no.: 503427292
reference: Horsfall
Your order no.: SO13557
weinor customernumber: 165708
~~creation Date: 08.09.2022~~
weinor pers. in charge: William Abbott
phone / fax number: +49-221-59709-472
representat.: Chris Spickett
tel (representat.): 0044 (0) 7894443907

pos	quantity	article	price
1	1	weinor Cassita II ✓	2.779,00

Product use	: private house	
width (cm)	: 550 cm ✓	
Projection [cm]	: 200 cm ✓	2.589,00
Base colour	: RAL 9010 Pure white ✓	
no. of arms	: 2 Piece	
insulation [mm]	: 0 mm	
bracket type 1	: wall fixing ✓	
number of brackets 1	: 2 Piece	54,00
FB1 Force 1 per fixing point	: 1699 N	
Torque per folding arm [Nm]	: 306 Nm	
bracket position left [mm]	: 90 mm	
bracket position right [mm]	: 90 mm	
arm position left	: 58 mm	
arm position right	: 58 mm	
type of control	: ioHomeControl ✓	123,00
Side of control (seen from the front)	: left ✓	
Hirschmann plug?	: Hirschmann plug not assembled	13,00
control	: without control <i>we will supply the Situa I + Somfy Equis 3D</i>	
info about radio engine without hand transmitter	: A suitable hand-held transmitter is required to operate the remote-controlled motor! The awning cannot be opened or retracted without a transmitter	
type of motor	: Motor Sfy Sunea50 io 40/17 ohne Zubehör ✓	
real-design	: WE4-778 my collections ✓	
colour of thread Saba	: dark blue	
Cardboard packaging	: edges reinforcement	

weinor Ltd
73 Cornhill
GB-EC3V 3QQ London
weinor.com

Managing Director:
Thilo Weiermann
General partner:
Weinor Beteiligungs-GmbH
Köln

VAT no.: 335 2381 16
Company no.: 12193066
UTR no.: 33431 24084
EORI no.: GB335238116000

Domestic transfers:
Commerzbank London
Sort Code: 406201
Account Number: 307 537 10

International transfers:
Commerzbank London
IBAN: GB51 COBA 4062 0130 7537 10
Swift: MIDLGB22 a/c COBAGB2X



Configuration details

weinor Ltd 73 Cornhill EC3V 3QQ London

customer: 165708 reference: Horsfall Page 2 of 2

pos	quantity	article	price
-----	----------	---------	-------

weight : 72 kg

value of goods	discount amount / %	net
2.779,00	1.111,60 / 40,00	1.667,40

999	1	weinor Netto-Materialkostenzuschlag	44,00
-----	---	-------------------------------------	-------

price per unit : 44
Pos 1 - Cassita II - 44,00 GBP

At least one item from your order has been ordered for approval. The later valid net material cost surcharge cannot currently be calculated and may differ from the value specified here.

value of goods	discount amount / %	net
44,00	0,00 / 0,00	44,00

value of goods GBP	discount amount	net GBP	VAT (0 %)	Total GBP
2.823,00	1.111,60	1.711,40	0,00	1.711,40

Configuration details

weinor Ltd 73 Cornhill EC3V 3QQ London

C P Interiors

Rue Des Pres Trading Estate
GB-JE2 7QN St Saviour Jersey

sales order no.: 503427292
reference: Horsfall
Your order no.: SO13557
weinor customernumber: 165708
creation Date: 15.08.2022
weinor pers. in charge: William Abbott
phone / fax number: +49-221-59709-472
representat.: Chris Spickett
tel (representat.): 0044 (0) 7894443907

pos	quantity	article	price
1	1	weinor Cassita II	3.049,00
		Product use : private house	
		width [cm] : 550 cm ✓	
		Projection [cm] : 200 cm ✓	2.589,00
		Basic colour : RAL 9010 Pure white ✓	
		no. of arms : 2 Piece	
		insulation [mm] : 0 mm	
		bracket type 1 : wall fixing	
		number of brackets 1 : 2 Piece	54,00
		FB1 Force 1 per fixing point : 1699 N	
		Torque per folding arm [Nm] : 306 Nm	
		bracket position left [mm] : 90 mm	
		bracket position right [mm] : 90 mm	
		arm position left : 58 mm	
		arm position right : 58 mm	
		type of control : ioHomeControl	123,00
		Side of control (seen from the front) : left	
		Hirschmann plug? : Hirschmann plug not assembled ✓	13,00
		control : hand transmitter Situo 1 io Pure II ✓	92,00
		Type of engine : Motor Sfy Sunea50 io 40/17 ohne Zubehör	
		Somfy radio wind sensor io WHITE : with Somfy Eolis 3D WireFree io; white housing	178,00
		real-design : WE4-778 my collections ✓	
		colour of thread Saba : dark blue	
		Cardboard container : edges reinforcement	
		weight : 72 kg	

RA checked ✓

weinor Ltd
73 Cornhill
GB-EC3V 3QQ London
weinor.com

Managing Director:
Thilo Weiermann
General partner:
Weinor Beteiligungs-GmbH
Köln

VAT no.: 335 2381 16
Company no.: 12193066
UTR no.: 33431 24084
EORI no.: GB335238116000

Domestic transfers:
Commerzbank London
Sort Code: 406201
Account Number: 307 537 10

International transfers:
Commerzbank London
IBAN: GB51 COBA 4062 0130 7537 10
Swift: MIDLGB22 a/c COBAGB2X

Configuration details

weinor Ltd 73 Cornhill EC3V 3QQ London

customer: 165708 reference: Horsfall Page 2 of 2

pos	quantity	article			price
-----	----------	---------	--	--	-------

		value of goods	discount amount / %	net
		3.049,00	1.219,60 / 40,00	1.829,40

999	1	weinor Netto-Materialkostenzuschlag			44,00
-----	---	-------------------------------------	--	--	-------

price per unit	: 44			44,00
	Pos 1 - Cassita II - 44,00 GBP			

At least one item from your order has been ordered for approval. The later valid net material cost surcharge cannot currently be calculated and may differ from the value specified here.

		value of goods	discount amount / %	net
		44,00	0,00 / 0,00	44,00

value of goods GBP	discount amount	net GBP	VAT (0 %)	Total GBP
3.093,00	1.219,60	1.873,40	0,00	1.873,40

Configuration details

weinor Ltd 73 Cornhill EC3V 3QQ London

C P Interiors

**Rue Des Pres Trading Estate
GB-JE2 7QN St Saviour Jersey**

sales order no.: 503427292
reference: Horsfall
Your order no.: SO13557
weinor customernumber: 165708
creation Date: 03.08.2022
weinor pers. in charge: William Abbott
phone / fax number: +49-221-59709-472
representat.: Chris Spickett
tel (representat.): 0044 (0) 7894443907

pos	quantity	article	price
1	1	weinor Cassita II	3.049,00
		Product use : private house	
		width [cm] : 550 cm	
		Projection [cm] : 200 cm	2.589,00
		Basic colour : RAL 9010 Pure white	
		no. of arms : 2 Piece	
		insulation [mm] : 0 mm	
		bracket type 1 : wall fixing	
		number of brackets 1 : 2 Piece	54,00
		FB1 Force 1 per fixing point : 1699 N	
		Torque per folding arm [Nm] : 306 Nm	
		bracket position left [mm] : 90 mm	
		bracket position right [mm] : 90 mm	
		arm position left : 58 mm	
		arm position right : 58 mm	
		type of control : ioHomeControl	123,00 ✓
		Side of control (seen from the front) : left	
		Hirschmann plug? : Hirschmann plug not assembled	13,00
		control : hand transmitter Situo 1 io Pure II	92,00 ✓
		Type of engine : Motor Sfy Sunea50 io 40/17 ohne Zubehör	
		Somfy radio wind sensor io WHITE : with Somfy Eolis 3D WireFree io; white housing	178,00 ✓
		real-design : WE3-864 my collections	
		colour of thread Saba : white	
		Cardboard container : edges reinforcement	
		weight : 72 kg	

weinor Ltd
73 Cornhill
GB-EC3V 3QQ London
weinor.com

Managing Director:
Thilo Weiermann
General partner:
Weinor Beteiligungs-GmbH
Köln

VAT no.: 335 2381 16
Company no.: 12193066
UTR no.: 33431 24084
EORI no.: GB335238116000

Domestic transfers:
Commerzbank London
Sort Code: 406201
Account Number: 307 537 10

International transfers:
Commerzbank London
IBAN: GB51 COBA 4062 0130 7537 10
Swift: MIDLGB22 a/c COBAGB2X

Configuration details

weinor Ltd 73 Cornhill EC3V 3QQ London

customer: 165708 reference: Horsfall Page 2 of 2

pos	quantity	article			price
-----	----------	---------	--	--	-------

	value of goods	discount amount / %	net
	3.049,00	1.219,60 / 40,00	1.829,40

999	1	weinor Netto-Materialkostenzuschlag	44,00
-----	---	-------------------------------------	-------

price per unit	: 44		44,00
	Pos 1 - Cassita II - 44,00 GBP		

At least one item from your order has been ordered for approval. The later valid net material cost surcharge cannot currently be calculated and may differ from the value specified here.

	value of goods	discount amount / %	net
	44,00	0,00 / 0,00	44,00

value of goods GBP	discount amount	net GBP	VAT (0 %)	Total GBP
3.093,00	1.219,60	1.873,40	0,00	1.873,40



Horsfall (SO13557)

Cassita II

03/08/2022



1 1x Cassita II

1,829.40 GBP



999 1x net material cost surcharge

44.00 GBP

£1873.40 x 2.5 = £4684

+ £220 (4 man delivery)

£4904

Q

Q



Rue des Pres Trading Estate
 St Saviour
 Jersey
 JE2 7QP
 Phone : 01534 768141

Deposit Invoice

CP INTERIORS

Invoice To
Mrs. Horsfall Apt 15 Southbeach Greve Dazette St Clement
JE2-6PX

GST REG. No.	Invoice Date	Invoice No.
0005218	13-08-2022	SO13557

Customer Ref.

Location	Description	Qty	Price
Balcony	<p>To Supply and Fit ,Cassita II full cassette electrical operated awning, with vibration sensor, powder coated in RAL 9010 with a standard acrylic fabric of your choice. 5.5m x 2m projection, including remote control</p> <p>Total price of £ 4,904.00</p> <p>Deposit required 50%</p> <p><i>RAL 9010 Scratchproof. W110797</i></p> <p><i>FABRIC COLOUR 778 (possibly W110797 to match neighbours, will confirm in week.)</i></p> <p><i>A4-778 ✓</i></p> <p><i>Brought back samples same day!</i></p>	1	2,452.00

Terms : Deposit due pre order, balance on completion

Bank Details	
Bank:	NatWest
Sort Code:	60 12 03
Account No:	66577772
Account Name:	Carpet Protection (C.I) Ltd T/A CP Interiors

Deposit Due	2,452.00
GST 5%	122.60
Total	2,574.60

paid 13/08/22 RA

Goods remain the property of CP Interiors until full settlement is received.

