

weinor Ltd 73 Cornhill EC3V 3QQ London

C P Interiors

**Rue Des Pres Trading Estate
GB-JE2 7QN St Saviour Jersey**

delivery address

DSV Road Ltd
(NO UPS)
10 Brunel Way, Segensworth Industrial Estate
GB-PO15 5TX Hampshire, Fareham
NO UPS

ORDER CONFIRMATION (release 1)

sales order no.:	202708660 of 12.09.2022
customer:	165708
reference:	Horsfall
Your order no.:	SO13557
contact person:	William Abbott
E-Mail	WAbbott@weinor.de
phone number:	+49-221-59709-472
representat.	654 Chris Spickett
tel (representat.):	0044 (0) 7894443907

Dear Weinor Partner,

with immediate effect our new bank account for the weinor Ltd. is active and can be used !

We kindly ask you to send and place all payment in the favour of weinor Ltd. to the following Bank Details.


Commerzbank London
Sort Code: 406201
Account Number: 307 537 10
In favour of : Weinor Ltd.

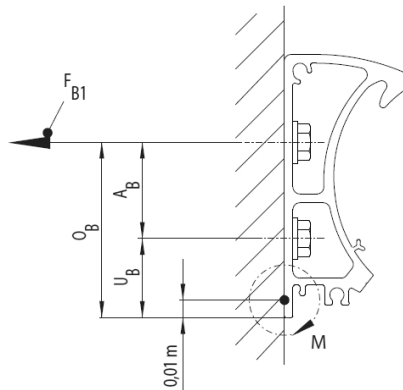
Thank you very much for your support.

weinor Ltd 73 Cornhill EC3V 3QQ London

pos	quantity	article code
-----	----------	--------------

1	1,00	1303	Cassita II
---	------	------	------------

expected delivery date	:	24.10.2022	
Product use	:	private house	
width (cm)	:	550	cm
Projection [cm]	:	200	cm
			2.589,00
Base colour	:	RAL 9010 Pure white	
	:		
no. of arms	:	2	Piece
insulation [mm]	:	0	mm
bracket type 1	:	wall fixing	
number of brackets 1	:	2	Piece
			54,00



Force 1 means the pull-out force per upper fastener F(B).

FB1 Force 1 per fixing point	:	1699	N
Torque per folding arm [Nm]	:	306	Nm

Please note that your selected awning configuration results in the following forces per upper fixing point (pull-out, lateral and/or shear forces). These must be accounted for by using suitable fixings.

bracket position left [mm]	:	90	mm
bracket position right [mm]	:	90	mm

weinor Ltd
73 Cornhill
GB-EC3V 3QQ London
weinor.com

Managing Director:
Thilo Weiermann
General partner:
Weinor Beteiligungs-GmbH
Köln

VAT no.: 335 2381 16
Company no.: 12193066
UTR no.: 33431 24084
EORI no.: GB335238116000

Domestic transfers:
Commerzbank London
Sort Code: 406201
Account Number: 307 537 10


International transfers:
Commerzbank London
IBAN: GB51 COBA 4062 0130 7537 10
Swift: MIDLGB22 a/c COBAGB2X

weinor Ltd 73 Cornhill EC3V 3QQ London

customer: 165708 sales order 202708660

Page 3 of 4

pos	quantity	article code
-----	----------	--------------

arm position left	: 58	mm	
arm position right	: 58	mm	
type of control	: ioHomeControl		123,00
Side of control (seen from the front)	: left		
Hirschmann plug?	: Hirschmann plug not assembled		13,00
control	: without control		
info about radio engine without hand transmitter	: A suitable hand-held transmitter is required to operate the remote-controlled motor! The awning cannot be opened or retracted without a transmitter		
type of motor	: Motor Sfy Sunea50 io 40/17 ohne Zubehör		
real-design	: WE4-778	my collections	
colour of thread Saba	: dark blue 		
Cardboard packaging	: edges reinforcement		
weight	: 72	kg	

value of goods	discount amount / %	net
2.779,00	1.111,60 / 40,00	1.667,40

999 1,00 127887-0000 net material cost surcharge

price per unit	: 44	44,00
Pos 1 - Cassita II - 44,00 GBP		44,00

value of goods	discount amount / %	net
44,00	0,00 / 0,00	44,00

weinor Ltd
73 Cornhill
GB-EC3V 3QQ London
weinor.com

Managing Director:
Thilo Weiermann
General partner:
Weinor Beteiligungs-GmbH
Köln

VAT no.: 335 2381 16
Company no.: 12193066
UTR no.: 33431 24084
EORI no.: GB335238116000

Domestic transfers:
Commerzbank London
Sort Code: 406201
Account Number: 307 537 10

International transfers:
Commerzbank London
IBAN: GB51 COBA 4062 0130 7537 10
Swift: MIDLGB22 a/c COBAGB2X

pos	quantity	article code
-----	----------	--------------

value of goods	discount amount	net	VAT (0 %)	Total GBP
2.823,00	1.111,60	1.711,40	0,00	1.711,40

Our spoken and written advice focuses on an explanation of the best possible use of our products and services. It does not liberate you from the obligation to check fitness of our products and services for your particular purpose. That includes the inspection of the general condition and especially maximum capacity load of fixing base as well as forwarding all respective information in addition to your order to weinor. That way delivery of the correct type and number of brackets is guaranteed. If our product can not be used as upon agreement due to false or lacking information we or any auxiliary person do accept contractual or non-contractual liabilities only in case of malicious intent or gross negligence.

In order to mount all brackets corresponding their fixing base you will need suitable mounting systems. For mounting on concrete C20/25 we recommend heavy duty anchor-systems from fischer (e.g. FAZ II M12/10 GS or FAZ II M12/30 GS). In case of mounting on any other base referred to in our pricelist or on frontal concrete ceiling we recommend the use of injection systems from fischer (e.g. FIS V 360 S). You can order them directly from us.

If you use a different mounting system or your own brackets, you will need a table of pull-out resistance of screw anchors in order to determine the working load.

This order confirmation is according to the current terms of payment and delivery.

<https://www.weinor.com/agb/>

delivery exw Cologne
 payment: With direct debit 5% discount payment
 mode of dispatch UK export