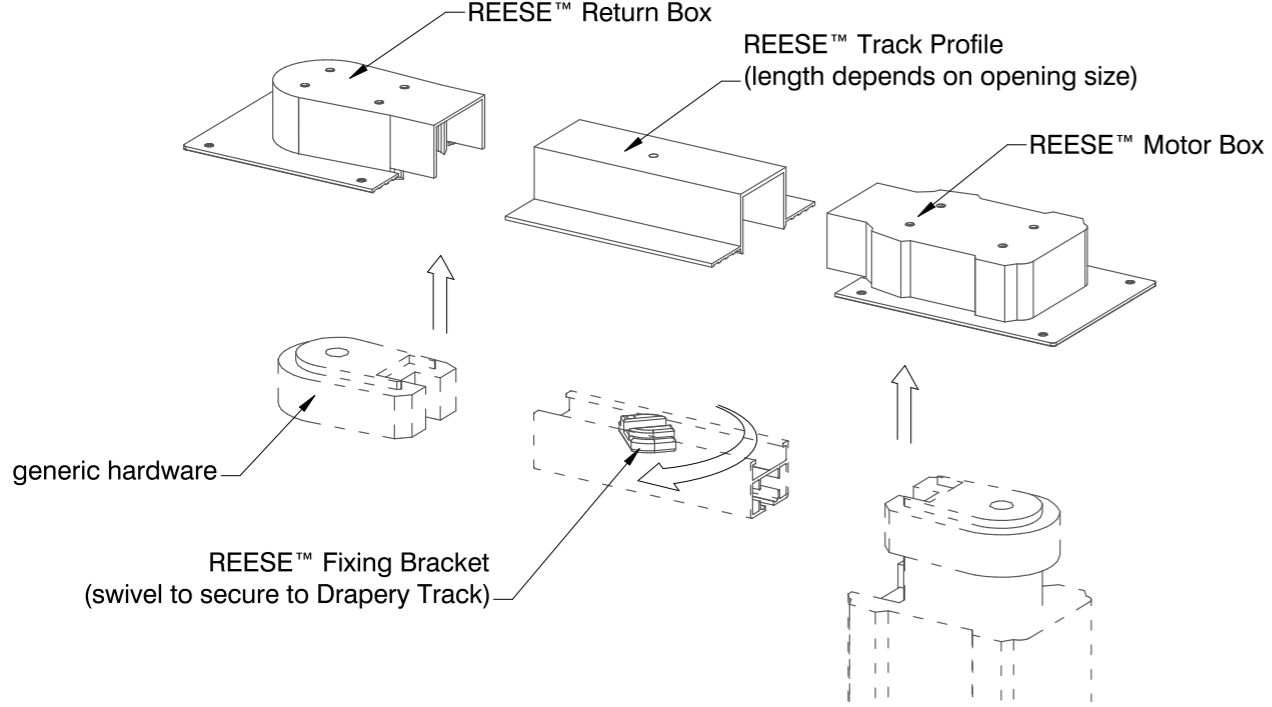


**REESE™ Return Box**  
item: SGRB56F

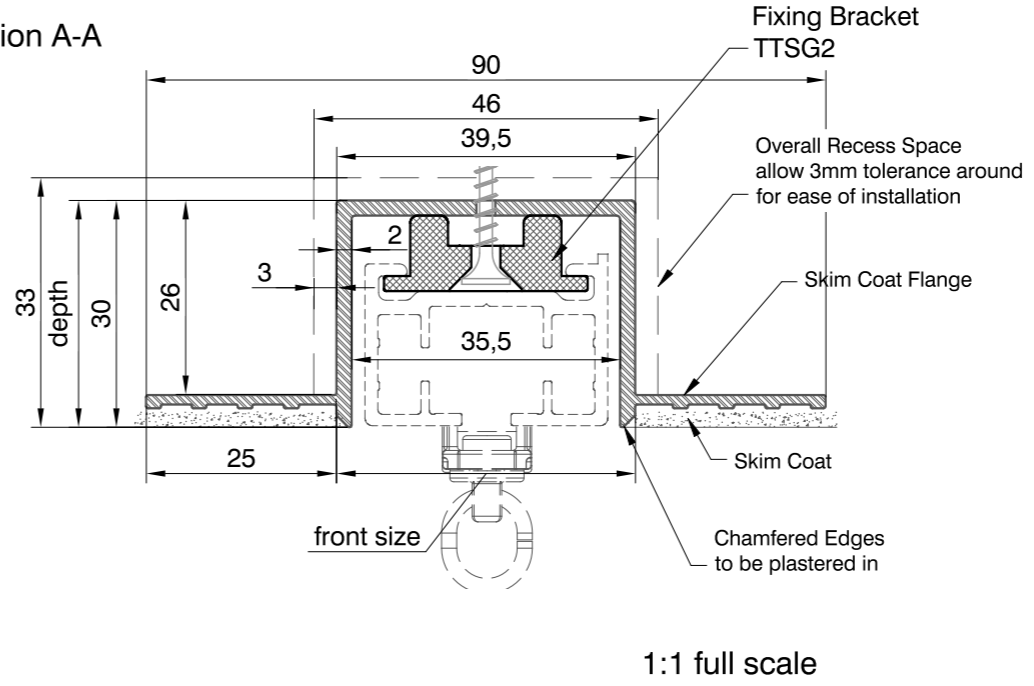
**REESE™ Track Profile**  
item: RT1F

**REESE™ Motor Box**  
item: SGMB56F

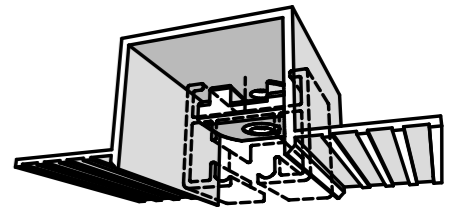
**generic system composition**



**section A-A**



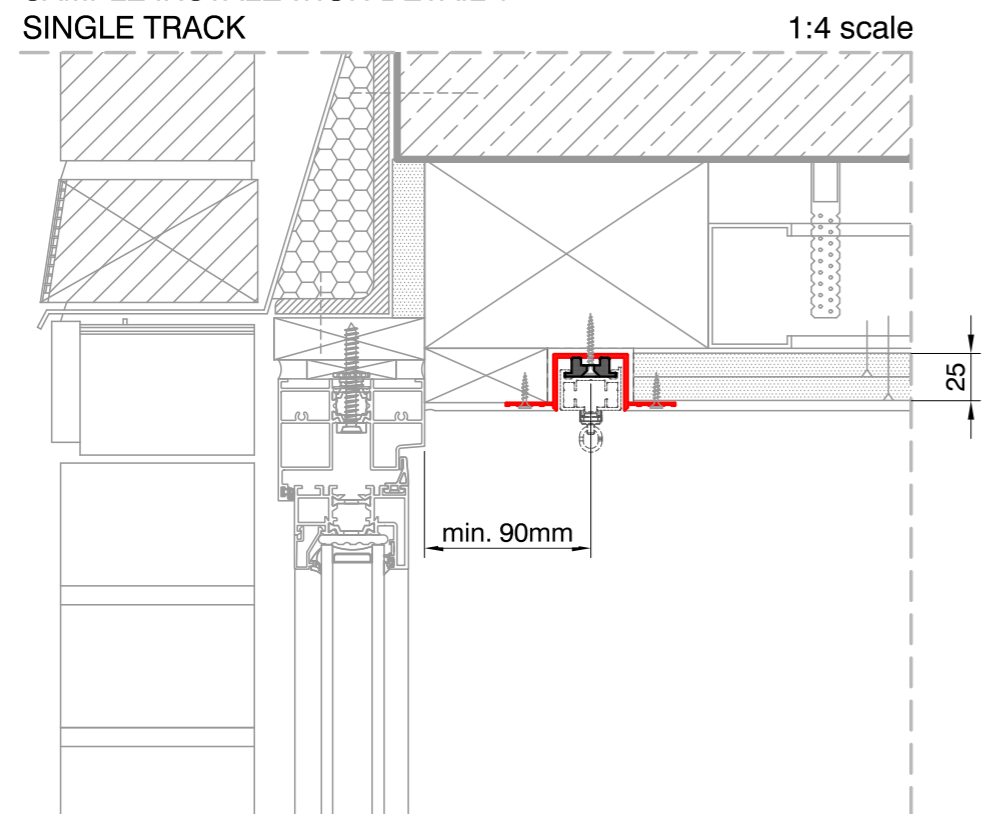
**1:1 full scale**



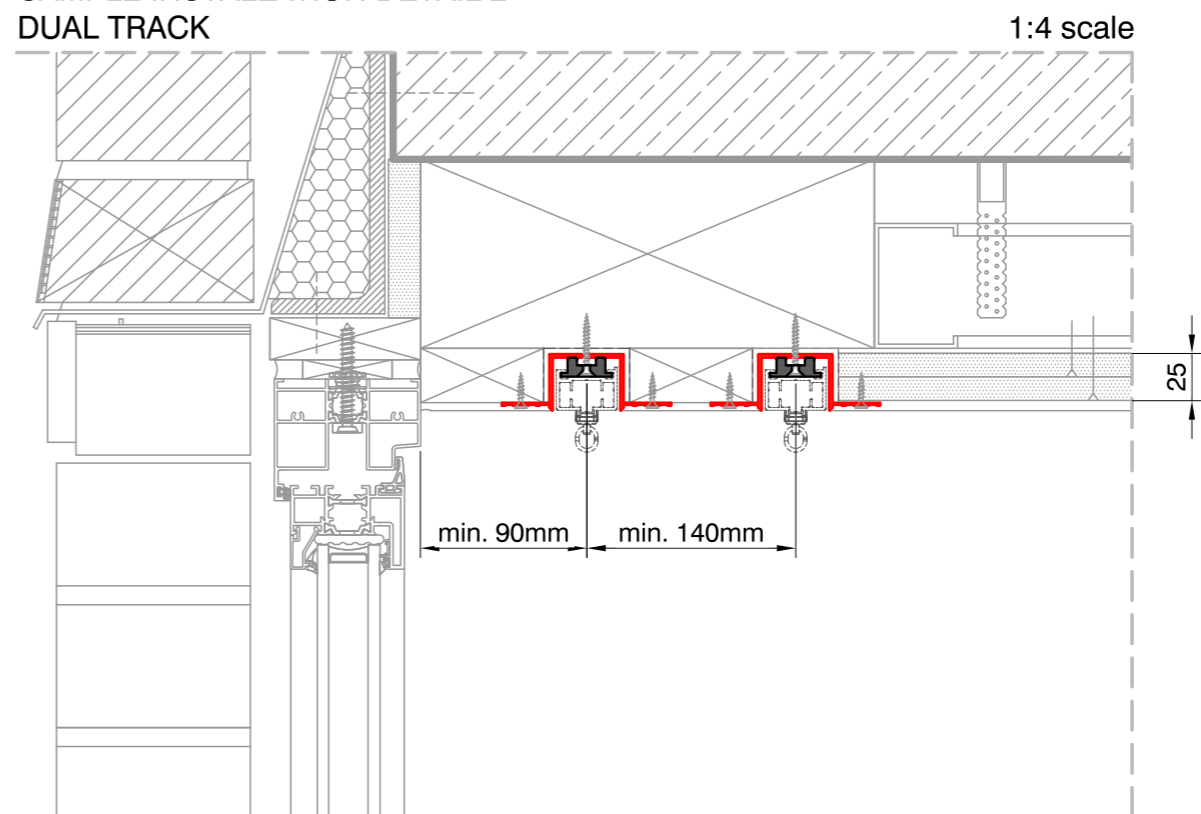
Product	Reese SG56F
Description	Recessed profiles to house curtain tracks
Material	U-profile: Anodized Aluminium, grade: EN 6060 T66 End cap: Plastic POM Polymer
Finishes	White to be plastered in and decorated at site to match ceiling.
Tracks sizes	Curtain Tracks Sizes to fit inside the profiles: space available for third party track profile: W35xH27
Installation	Anchoring with countersink screws through profile walls near the center of profiles are recommended. The finished plaster level should be flush with chamfered edge.
Drawing	Standard Reese Track system SG56F
Item name	RT1F, SGMB56F, SGRB56F, TTSG2
Notes	Dimensions in mm Do not scale from drawing
Drawn by	M. Kozak, B. Dzieza
	A. Sundelin
Revision	change: R-01 first issue date: 2021-06-21

Print date	2021-06-21
Print file	reese_sg56f_v02.dwg
Page size	ISO A3 420x297
Remarks	

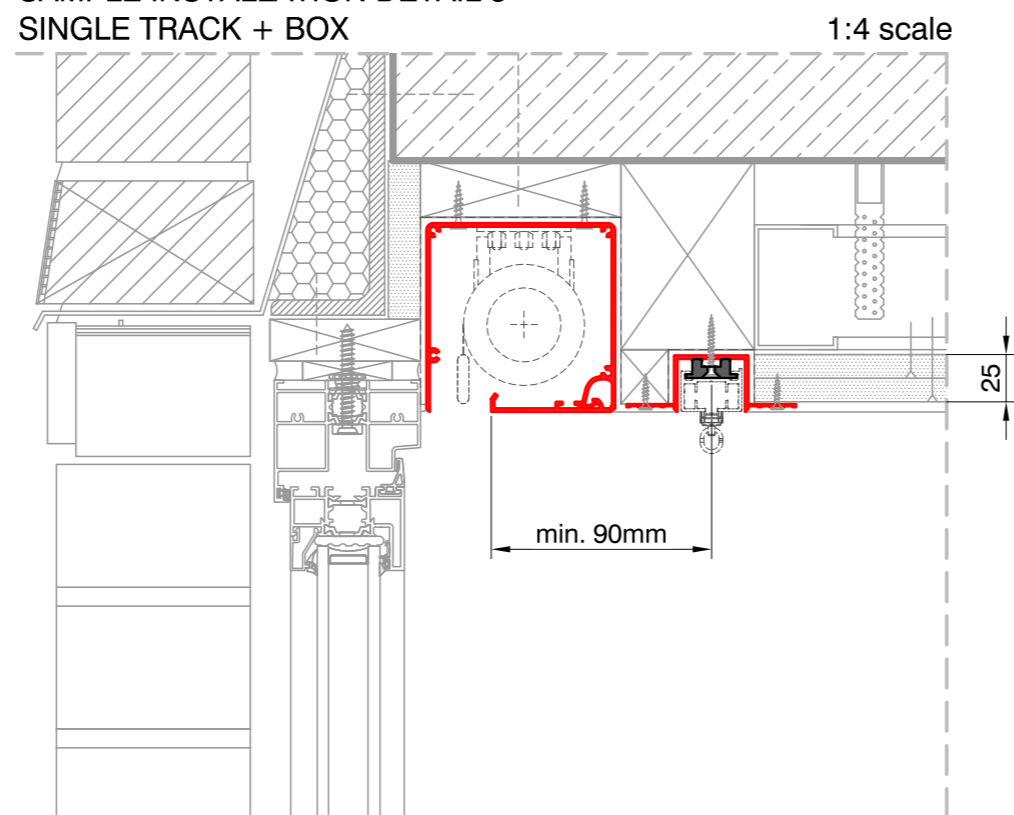
SAMPLE INSTALLATION DETAIL 1  
SINGLE TRACK



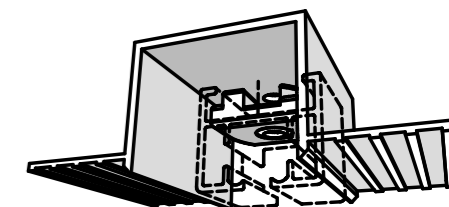
SAMPLE INSTALLATION DETAIL 2  
DUAL TRACK



SAMPLE INSTALLATION DETAIL 3  
SINGLE TRACK + BOX



Product	Reese SG56F
Description	Recessed profiles to house curtain tracks
Material	U-profile: Anodized Aluminium, grade: EN 6060 T66 End cap: Plastic POM Polymer
Finishes	White to be plastered in and decorated at site to match ceiling.
Tracks sizes	Curtain Tracks Sizes to fit inside the profiles: space available for third party track profile: W35xH27
Installation	Anchoring with countersink screws through profile walls near the center of profiles are recommended. The finished plaster level should be flush with chamfered edge.
Drawing	Standard Reese Track system SG56F
Item name	RT1F, SGMB56F, SGRB56F, TTSG2
Notes	Dimensions in mm Do not scale from drawing
Drawn by	M. Kozak, B. Dzieza
	A. Sundelin
Revision	change: R-01 first issue date: 2021-06-21



Print date	2021-06-21
Print file	reese_sg56f_v02.dwg
Page size	ISO A3 420x297
Remarks	

**DISCLAIMER:**  
Note that the architectural detail is shown for reference only and might not show proper solution for a specific building application.  
All architectural details shown shall not be used for construction, and shall be drawn by an architect accordingly to a specific building section.  
Drawing intent shows possible placement of Blindspace® and/or Reese™ products within generic drywall application.