



CP INTERIORS

July 16, 2022

REF : SO13516

Mrs. Hattie Carlton
6 The Priory
La Grande Route De St Clement
St. Clement
Jersey
JE2 6GU

DICKSON
FABRIC

Dear Mrs. Hattie Carlton

As requested, we have pleasure in submitting our quotation for the following.

Description	QTY	Price
To Supply and Fit ,Awning / Canopy, Cassita II full cassette electrical operated awning, with vibration sensor, powder coated frame in RAL9010 Pure White and in a Dickson D18907 Grey and White fabric. 4.5m width x 3m projection, including remote control and special brackets	1	£ 5,689.00
	Subtotal :	£ 5,689.00
	GST :	£ 284.45
	Total :	£ 5,973.45

WT 29/10797

↓
Adrian will get them sorted.

As with all our custom orders, we will require a deposit of 50%. All prices are subject to GST.

Our Price Promise to you, we will beat any written quotation by 5% (on equivalent specification).

Thank you for your enquiry and we hope you will find this quotation acceptable. Should you require any further information, please contact us.

Yours sincerely
Tamara

To accept the above quotation, please indicate which option is required, sign below and return this letter together with your deposit. Please note extract of our terms and conditions below.

.....
SIGNATURE

.....
DATE

Please note: This quotation is only valid for acceptance for 7 days. Our estimate does not include any electrical work or additional carpentry work to install the above unless otherwise specified. Please note there is a handling charge on customer own fabric of £5 per metre. Due to high costs of labour, pre-arranged missed fitting appointments will be charged on a time-wasted basis. Settlement is due on completion of works and an administration charge of £25 will be added per month if unpaid within 30 days. We reserve the right to charge for design, advice and liaison work carried out should an order not be placed. Goods remain the property of CP Interiors until full settlement is received. Should payment not be received we reserve the right to attend premises during working hours to remove goods and not be required to make good. Our full terms and conditions apply and are available on request.

As we no longer accept cheques, please do:

- Call us and pay by Card, we accept card transactions over the telephone and we will not charge you a handling fee.
- Bank details: Natwest, Sort Code 60-12-03, Account No 66577772

If you pay your deposit by BACS payment, please confirm the details of your order by returning a signed copy of this letter

checked with Re...
Adrian confirmed special brackets needed to send ASAP.

£1194.69 = 20%
paid by card
on 20/07/22

Contacts sent to
Cherry Godfrey for
Interest free option

Tel : (01534) 768141

www.cpinteriors.ie

Rue des Pres Trading Estate, St Saviour, Jersey, JE2 7QN

Reference/
Order no.

Order no. Product

Order date Delivery date

Hattie Carlton (SO135...

Cassita II

20/07/2022

1 1x Cassita II

2,007.30 GBP

999 1x net material cost surcharge

36.00 GBP



Configuration details

weinor Ltd 73 Cornhill EC3V 3QQ London

C P Interiors

Rue Des Pres Trading Estate
GB-JE2 7QN St Saviour Jersey

sales order no.: 503411322
reference: Hattie Carlton
Your order no.: SO13516
weinor customernumber: 165708
creation Date: 20.07.2022
weinor pers. in charge: William Abbott
phone / fax number: +49-221-59709-472
representat.: Chris Spickett
tel (representat.): 0044 (0) 7894443907

pos	quantity	article	price
1	1	weinor Cassita II	3.345,50
		Product use : private house ✓	
		width [cm] : 450 cm ✓	
		Projection [cm] : 300 cm ✓	2.575,00
		Basic colour : WT029/10797 Approx. RAL 9010 ✓	
		no. of arms : 2 Piece	
		insulation [mm] : 0 mm	
		bracket type 1 : wall fixing	
		number of brackets 1 : 2 Piece	54,00
		FB1 Force 1 per fixing point : 2829 N	
		Torque per folding arm [Nm] : 509 Nm	
		bracket position left [mm] : 90 mm	
		bracket position right [mm] : 90 mm	
		arm position left : 58 mm	
		arm position right : 58 mm	
		type of control : ioHomeControl	123,00
		Side of control (seen from the front) : right	
		Hirschmann plug? : Hirschmann plug not assembled	13,00
		control : hand transmitter Situo 1 io Pure II ✓	92,00
		Type of engine : Motor Sfy Sunea50 io 40/17 ohne Zubehör	
		Somfy radio wind sensor io : with Somfy Eolis 3D WireFree io; white housing	178,00
		real-design : DI8907 grey -white, block ✓	310,50
		colour of thread Saba : white	
		Cardboard container : edges reinforcement	
		weight : 58 kg	

weinor Ltd
73 Cornhill
GB-EC3V 3QQ London
weinor.com

Managing Director:
Thilo Weiermann
General partner:
Weinor Beteiligungs-GmbH
Köln

VAT no.: 335 2381 16
Company no.: 12193066
UTR no.: 33431 24084
EORI no.: GB335238116000

Domestic transfers:
Commerzbank London
Sort Code: 406201
Account Number: 307 537 10

International transfers:
Commerzbank London
IBAN: GB51 COBA 4062 0130 7537 10
Swift: MIDLGB22 a/c COBAGB2X

Configuration details

weinor Ltd 73 Cornhill EC3V 3QQ London

customer: 165708 reference: Hattie Carlton Page 2 of 2

pos	quantity	article			price
-----	----------	---------	--	--	-------

		value of goods	discount amount / %	net
		3.345,50	1.338,20 / 40,00	2.007,30

999	1	weinor Netto-Materialkostenzuschlag			36,00
-----	---	-------------------------------------	--	--	-------

price per unit	: 36				36,00
	Pos 1 - Cassita II - 36,00 GBP				

At least one item from your order has been ordered for approval. The later valid net material cost surcharge cannot currently be calculated and may differ from the value specified here.

		value of goods	discount amount / %	net
		36,00	0,00 / 0,00	36,00

value of goods GBP	discount amount	net GBP	VAT (0 %)	Total GBP
3.381,50	1.338,20	2.043,30	0,00	2.043,30

Reference/
Order no.

Order no. Product

Order date Delivery date

Hattie Carlton (SO135...

Cassita II

15/07/2022

1 1x Cassita II

2,099.70 GBP

999 1x net material cost surcharge

36.00 GBP

$$£2099.70 + £36 = £2135.7 \times 2.5 = £5339$$

Special Brackets ~~£400~~ 350

£5689

DICKSON FABRIC

Configuration details

weinor Ltd 73 Cornhill EC3V 3QQ London

C P Interiors

Rue Des Pres Trading Estate
GB-JE2 7QN St Saviour Jersey

sales order no.: 503411322
reference: Hattie Carlton
Your order no.: SO13516
weinor customernumber: 165708
creation Date: 15.07.2022
weinor pers. in charge: William Abbott
phone / fax number: +49-221-59709-472
representat.: Chris Spickett
tel (representat.): 0044 (0) 7894443907

pos	quantity	article	price
1	1	weinor Cassita II	3.499,50

Product use	: private house	
width [cm]	: 450 cm ✓	
Projection [cm]	: 300 cm ✓	2.575,00
Basic colour	: RAL 9010 Pure white ✓	
no. of arms	: 2 Piece	
insulation [mm]	: 0 mm	
bracket type 1	: wall fixing	
number of brackets 1	: 2 Piece	54,00
FB1 Force 1 per fixing point	: 2829 N	
M = Torque per folding arm	: 509 Nm	
bracket position left [mm]	: 90 mm	
bracket position right [mm]	: 90 mm	
arm position left	: 58 mm	
arm position right	: 58 mm	
type of control	: Remote-controlled motor IO Homecontrol ✓	123,00
Side of control (seen from the front)	: right	
Hirschmann plug?	: Hirschmann plug not assembled	13,00
control	: hand transmitter Situo 1 io Pure II	92,00
Type of engine	: Motor Sfy Sunea50 io 40/17 ohne Zubehör	
Somfy radio wind sensor io	: with Somfy Eolis 3D WireFree io; white housing	178,00
real-design	: DI8907 grey -white, block	310,50
colour of thread Saba	: white	
valance model	: with valance (standard) ✗	154,00
shape	: scalloped ✗	
valance pattern repeat	: standard Pattern ✗	

weinor Ltd
73 Cornhill
GB-EC3V 3QQ London
weinor.com

Managing Director:
Thilo Weiermann
General partner:
Weinor Beteiligungs-GmbH
Köln

VAT no.: 335 2381 16
Company no.: 12193066
UTR no.: 33431 24084
EORI no.: GB335238116000

Domestic transfers:
Commerzbank London
Sort Code: 406201
Account Number: 307 537 10

International transfers:
Commerzbank London
IBAN: GB51 COBA 4062 0130 7537 10
Swift: MIDLGB22 a/c COBAGB2X

Configuration details

weinor Ltd 73 Cornhill EC3V 3QQ London

customer: 165708 reference: Hattie Carlton Page 2 of 2

pos	quantity	article	price
-----	----------	---------	-------

depth of valance [cm] : 15 cm ✕
 binding tape standard : 18 grey ✕
 colour of thread Saba binding tape : 411 silbergrau

colour of thread Saba valance : white
 Cardboard container : edges reinforcement
 weight : 58 kg

value of goods	discount amount / %	net
3.499,50	1.399,80 / 40,00	2.099,70

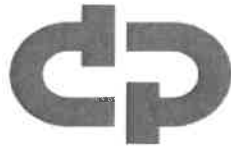
999 1	weinor Netto-Materialkostenzuschlag	36,00
--------------	--	--------------

price per unit	: 36 Pos 1 - Cassita II - 36,00 GBP	36,00
----------------	--	-------

At least one item from your order has been ordered for approval. The later valid net material cost surcharge cannot currently be calculated and may differ from the value specified here.

value of goods	discount amount / %	net
36,00	0,00 / 0,00	36,00

value of goods GBP	discount amount	net GBP	VAT (0 %)	Total GBP
3.535,50	1.399,80	2.135,70	0,00	2.135,70



CP INTERIORS

July 18, 2022

REF : SO13516

Mrs. Hattie Carlton
6 The Priory
La Grande Route De St Clement
St. Clement
Jersey
JE2 6GU

CUS. REF : Semina Option

Dear Mrs. Hattie Carlton

As requested, we have pleasure in submitting our quotation for the following.

Description	QTY	Price
To Supply and Fit ,Awning / Canopy, Semina full cassette electrical operated awning, with vibration sensor, powder coated frame in RAL9010 Pure White and in a Dickson D18907 Grey and White fabric. 4.5m width x 3m projection, including remote control and special brackets	1	£ 5,029.00
Subtotal :		£ 5,029.00
GST :		£ 251.45
Total :		£ 5,280.45

As with all our custom orders, we will require a deposit of 50%. All prices are subject to GST.

Our Price Promise to you, we will beat any written quotation by 5% (on equivalent specification).

Thank you for your enquiry and we hope you will find this quotation acceptable. Should you require any further information, please contact us.

Yours sincerely
Tamara

To accept the above quotation, please indicate which option is required, sign below and return this letter together with your deposit. Please note extract of our terms and conditions below.

.....
SIGNATURE

.....
DATE

Please note: This quotation is only valid for acceptance for 7 days. Our estimate does not include any electrical work or additional carpentry work to install the above unless otherwise specified. Please note there is a handling charge on customer own fabric of £5 per metre. Due to high costs of labour, pre-arranged missed fitting appointments will be charged on a time-wasted basis. Settlement is due on completion of works and an administration charge of £25 will be added per month if unpaid within 30 days. We reserve the right to charge for design, advice and liaison work carried out should an order not be placed. Goods remain the property of CP Interiors until full settlement is received. Should payment not be received we reserve the right to attend premises during working hours to remove goods and not be required to make good. Our full terms and conditions apply and are available on request.

As we no longer accept cheques, please do:

- Call us and pay by Card, we accept card transactions over the telephone and we will not charge you a handling fee.
- Bank details: Natwest, Sort Code 60-12-03, Account No 66577772

if you pay your deposit by BACS payment, please confirm the details of your order by returning a signed copy of this letter

1 1x Semina

1,848.90 GBP

999 1x net material cost surcharge

22.50 GBP

$£1871.4 \times 2.5 = £4679$

£350 (special brackets)

£5029 (FINAL PRICE)

Configuration details

weinor Ltd 73 Cornhill EC3V 3QQ London

C P Interiors

Rue Des Pres Trading Estate
GB-JE2 7QN St Saviour Jersey

sales order no.: 503412545
reference: Carlton (Semina Option)
Your order no.: SO13516
weinor customernumber: 165708
creation Date: 18.07.2022
weinor pers. in charge: William Abbott
phone / fax number: +49-221-59709-472
representat.: Chris Spickett
tel (representat.): 0044 (0) 7894443907

pos	quantity	article	price
1	1	weinor Semina	3.081,50
Product use : private house width [cm] : 450 cm Projection [cm] : 300 cm 2.299,00 Basic colour : RAL 9010 Pure white no. of arms : 2 Piece insulation [mm] : 0 mm bracket type 1 : wall bracket 85 mm compl. number of brackets 1 : 3 Piece 66,00 FB1 Force 1 per fixing point : 3889 N Torque per folding arm [Nm] : 614 Nm bracket position KS 2 left [mm] : 570 mm bracket position KS 2 right [mm] : 570 mm bracket position KS 3 [mm] : 2105 mm arm position A1 left : 450 mm arm position A1 right : 450 mm type of control : ioHomeControl 123,00 Side of control (seen from the front) : right Hirschmann plug? : Hirschmann plug not assembled 13,00 control : hand transmitter Situo 1 io Pure II 92,00 Type of engine : Motor Sfy Sunea50 io 40/17- 78We- Somfy radio wind sensor io : with Somfy Eolis 3D WireFree io; white housing 178,00 real-design : DI8907 grey -white, block 310,50 Glue fabric? : no, sewn fabric colour of thread Saba : white Cardboard container : edges reinforcement			

weinor Ltd
73 Cornhill
GB-EC3V 3QQ London
weinor.com

Managing Director:
Thilo Weiermann
General partner:
Weinor Beteiligungs-GmbH
Köln

VAT no.: 335 2381 16
Company no.: 12193066
UTR no.: 33431 24084
EORI no.: GB335238116000

Domestic transfers:
Commerzbank London
Sort Code: 406201
Account Number: 307 537 10

International transfers:
Commerzbank London
IBAN: GB51 COBA 4062 0130 7537 10
Swift: MIDLGB22 a/c COBAGB2X

Configuration details

weinor Ltd 73 Cornhill EC3V 3QQ London

customer: 165708 reference: Carlton (Semina Option) Page 2 of 2

pos	quantity	article	price
-----	----------	---------	-------

weight : 70 kg

	value of goods	discount amount / %	net
	3.081,50	1.232,60 / 40,00	1.848,90

999	1	weinor Netto-Materialkostenzuschlag	22,50
-----	---	-------------------------------------	-------

price per unit : 22,5 22,50
Pos 1 - Semina - 22,50 GBP

At least one item from your order has been ordered for approval. The later valid net material cost surcharge cannot currently be calculated and may differ from the value specified here.

	value of goods	discount amount / %	net
	22,50	0,00 / 0,00	22,50

value of goods GBP	discount amount	net GBP	VAT (0 %)	Total GBP
3.104,00	1.232,60	1.871,40	0,00	1.871,40



CP INTERIORS

1

July 16, 2022

REF : SO13516

Mrs. Hattie Carlton
6 The Priory
La Grande Route De St Clement
St. Clement
Jersey
JE2 6GU

CUS. REF : Weignor Fabric

Dear Mrs. Hattie Carlton

As requested, we have pleasure in submitting our quotation for the following.

Description	QTY	Price
To Supply and Fit .Awning / Canopy, Cassita II full cassette electrical operated awning, with vibration sensor, powder coated frame in RAL9010 Pure White and in a Weignor WE3-876 fabric. 4.5m width x 3m projection, including remote control and special brackets	1	£ 5,224.00
Subtotal :		£ 5,224.00
	GST :	£ 261.20
	Total :	£ 5,485.20

As with all our custom orders, we will require a deposit of 50%. All prices are subject to GST.

Our Price Promise to you, we will beat any written quotation by 5% (on equivalent specification).

Thank you for your enquiry and we hope you will find this quotation acceptable. Should you require any further information, please contact us.

Yours sincerely
Tamara

To accept the above quotation, please indicate which option is required, sign below and return this letter together with your deposit. Please note extract of our terms and conditions below.

.....
SIGNATURE

.....
DATE

Please note: This quotation is only valid for acceptance for 7 days. Our estimate does not include any electrical work or additional carpentry work to install the above unless otherwise specified. Please note there is a handling charge on customer own fabric of £5 per metre. Due to high costs of labour, pre-arranged missed fitting appointments will be charged on a time-wasted basis. Settlement is due on completion of works and an administration charge of £25 will be added per month if unpaid within 30 days. We reserve the right to charge for design, advice and liaison work carried out should an order not be placed. Goods remain the property of CP Interiors until full settlement is received. Should payment not be received we reserve the right to attend premises during working hours to remove goods and not be required to make good. Our full terms and conditions apply and are available on request.

As we no longer accept cheques, please do:

- Call us and pay by Card, we accept card transactions over the telephone and we will not charge you a handling fee.
- Bank details: Natwest, Sort Code 60-12-03, Account No 66577772

If you pay your deposit by BACS payment, please confirm the details of your order by returning a signed copy of this letter

Tel : (01534) 768141

www.cpinteriors.je

Rue des Pres Trading Estate, St Saviour, Jersey, JE2 7QN

Reference/ Order no. Order no. Product Order date Delivery date

Hattie Carifton (50135... Cassita II 16/07/2022

1	1x Cassita II	1,913.40 GBP
999	1x net material cost surcharge	36.00 GBP

$$£1913.40 + 36 = £1949.40 \times 2.5 = £4873.50$$

Special brackets £350

£5224

WEINOR FABRIC

Configuration details

weinor Ltd 73 Cornhill EC3V 3QQ London

C P Interiors

**Rue Des Pres Trading Estate
GB-JE2 7QN St Saviour Jersey**

sales order no.: 503411322
reference: Hattie Carlton
Your order no.: SO13516
weinor customernumber: 165708
creation Date: 16.07.2022
weinor pers. in charge: William Abbott
phone / fax number: +49-221-59709-472
representat.: Chris Spickett
tel (representat.): 0044 (0) 7894443907

pos	quantity	article	price
1	1	weinor Cassita II	3.189,00
		Product use : private house	
		width [cm] : 450 cm	
		Projection [cm] : 300 cm	2.575,00
		Basic colour : RAL 9010 Pure white	
		no. of arms : 2 Piece	
		insulation [mm] : 0 mm	
		bracket type 1 : wall fixing	
		number of brackets 1 : 2 Piece	54,00
		FB1 Force 1 per fixing point : 2829 N	
		Torque per folding arm [Nm] : 509 Nm	
		bracket position left [mm] : 90 mm	
		bracket position right [mm] : 90 mm	
		arm position left : 58 mm	
		arm position right : 58 mm	
		type of control : ioHomeControl	123,00
		Side of control (seen from the front) : right	
		Hirschmann plug? : Hirschmann plug not assembled	13,00
		control : hand transmitter Situo 1 io Pure II	92,00
		Type of engine : Motor Sty Sunea50 io 40/17 ohne Zubehör	
		Somfy radio wind sensor io : with Somfy Eolis 3D WireFree io; white housing	178,00
		real-design : WE3-876 my collections	
		colour of thread Saba : RAL 7001 Silver grey	
		valance model : with valance (standard)	154,00
		shape : scalloped	
		valance pattern repeat : standard Pattern	

weinor Ltd
73 Cornhill
GB-EC3V 3QQ London
weinor.com

Managing Director:
Thilo Weiermann
General partner:
Weinor Beteiligungs-GmbH
Köln

VAT no.: 335 2381 16
Company no.: 12193066
UTR no.: 33431 24084
EORI no.: GB335238116000

Domestic transfers:
Commerzbank London
Sort Code: 406201
Account Number: 307 537 10
International transfers:
Commerzbank London
IBAN: GB51 COBA 4062 0130 7537 10
Swift: MIDLGB22 a/c COBAGB2X

Configuration details

weinor Ltd 73 Cornhill EC3V 3QQ London

customer: 165708 reference: Hattie Carlton Page 2 of 2

pos	quantity	article	price
-----	----------	---------	-------

depth of valance [cm] : 15 cm
 binding tape standard : 18 grey
 colour of thread Saba binding tape : 411 silbergrau

colour of thread Saba valance : RAL 7001 Silver grey
 Cardboard container : edges reinforcement
 weight : 58 kg

value of goods	discount amount / %	net
3.189,00	1.275,60 / 40,00	1.913,40

999	1	weinor Netto-Materialkostenzuschlag	36,00
------------	----------	--	--------------

price per unit	: 36 Pos 1 - Cassita II - 36,00 GBP	36,00
----------------	--	-------

At least one item from your order has been ordered for approval. The later valid net material cost surcharge cannot currently be calculated and may differ from the value specified here.

value of goods	discount amount / %	net
36,00	0,00 / 0,00	36,00

value of goods GBP	discount amount	net GBP	VAT (0 %)	Total GBP
3.225,00	1.275,60	1.949,40	0,00	1.949,40

weinor Ltd 73 Cornhill EC3V 3QQ London

C P Interiors

**Rue Des Pres Trading Estate
GB-JE2 7QN St Saviour Jersey**

delivery address

DSV Road Ltd

10 Brunel Way, Segensworth Industrial Estate
GB-PO15 5TX Hampshire, Fareham

ORDER CONFIRMATION (release 1)

sales order no.: 202696087 of 22.07.2022
customer: 165708
reference: Hattie Carlton
Your order no.: SO13516
contact person: William Abbott
E-Mail: WAbbott@weinor.de
phone number: +49-221-59709-472
representat. 654 Chris Spickett
tel (representat.): 0044 (0) 7894443907

Dear Weinor Partner,

with immediate effect our new bank account for the weinor Ltd. is active and can be used !

We kindly ask you to send and place all payment in the favour of weinor Ltd. to the following Bank Details.

Commerzbank London
Sort Code: 406201
Account Number: 307 537 10
In favour of : Weinor Ltd.

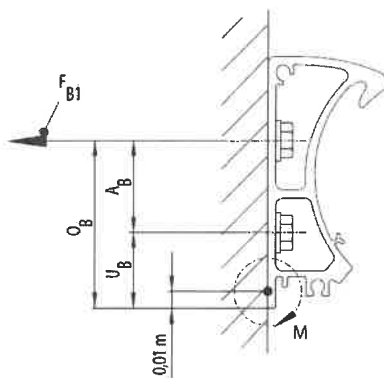
Thank you very much for your support.

weinor Ltd 73 Cornhill EC3V 3QQ London

pos	quantity	article code
-----	----------	--------------

1	1,00	1303	Cassita II
---	------	------	------------

Anticipated delivery	:	05.09.2022	
Product use	:	private house	
width [cm]	:	450	cm
Projection [cm]	:	300	cm
			2.575,00
Basic colour	:	WT029/10797 Approx. RAL 9010	
no. of arms	:	2	Piece
insulation [mm]	:	0	mm
bracket type 1	:	wall fixing	
number of brackets 1	:	2	Piece
			54,00



Force 1 means the pull-out force per upper fastener F(B).

FB1 Force 1 per fixing point	:	2829	N
Torque per folding arm [Nm]	:	509	Nm

Please note that your selected awning configuration results in the following forces per upper fixing point (pull-out, lateral and/or shear forces). These must be accounted for by using suitable fixings.

bracket position left [mm]	:	90	mm
bracket position right [mm]	:	90	mm
arm position left	:	58	mm

weinor Ltd
73 Cornhill
GB-EC3V 3QQ London
weinor.com

Managing Director:
Thilo Weiermann
General partner:
Weinor Beteiligungs-GmbH
Köln

VAT no.: 335 2381 16
Company no.: 12193066
UTR no.: 33431 24084
EORI no.: GB335238116000

Domestic transfers:
Commerzbank London
Sort Code: 406201
Account Number: 307 537 10

International transfers:
Commerzbank London
IBAN: GB51 COBA 4062 0130 7537 10
Swift: MIDLGB22 a/c COBAGB2X

weinor Ltd 73 Cornhill EC3V 3QQ London

customer: 165708 sales order 202696087

Page 3 of 4

pos	quantity	article code
-----	----------	--------------

arm position right	: 58	mm	
type of control	: ioHomeControl		123,00
Side of control (seen from the front)	: right		
Hirschmann plug?	: Hirschmann plug not assembled		13,00
control	: hand transmitter Situo 1 io Pure II		92,00
Type of engine	: Motor Sfy Sunea50 io 40/17 ohne Zubehör		
real-design	: DI8907	grey -white, block	310,50
colour of thread Saba	: white		
Cardboard container	: edges reinforcement		
weight	: 58	kg	

value of goods	discount amount / %	net
3.167,50	1.267,00 / 40,00	1.900,50

999 1,00 127887-0000 net material cost surcharge

price per unit	: 36	36,00
Pos 1 - Cassita II - 36,00 GBP		36,00

value of goods	discount amount / %	net
36,00	0,00 / 0,00	36,00

value of goods	discount amount	net	VAT (0 %)	Total GBP
3.203,50	1.267,00	1.936,50	0,00	1.936,50

weinor Ltd
73 Cornhill
GB-EC3V 3QQ London
weinor.com

Managing Director:
Thilo Weiermann
General partner:
Weinor Beteiligungs-GmbH
Köln

VAT no.: 335 2381 16
Company no.: 12193066
UTR no.: 33431 24084
EORI no.: GB335238116000

Domestic transfers:
Commerzbank London
Sort Code: 406201
Account Number: 307 537 10

International transfers:
Commerzbank London
IBAN: GB51 COBA 4062 0130 7537 10
Swift: MIDLGB22 a/c COBAGB2X

weinor Ltd 73 Cornhill EC3V 3QQ London

customer: 165708 sales order 202696087

Page 4 of 4

Our spoken and written advice focuses on an explanation of the best possible use of our products and services. It does not liberate you from the obligation to check fitness of our products and services for your particular purpose. That includes the inspection of the general condition and especially maximum capacity load of fixing base as well as forwarding all respective information in addition to your order to weinor. That way delivery of the correct type and number of brackets is guaranteed. If our product can not be used as upon agreement due to false or lacking information we or any auxiliary person do accept contractual or non-contractual liabilities only in case of malicious intent or gross negligence.

In order to mount all brackets corresponding their fixing base you will need suitable mounting systems. For mounting on concrete C20/25 we recommend heavy duty anchor-systems from fischer (e.g. FAZ II M12/10 GS or FAZ II M12/30 GS). In case of mounting on any other base referred to in our pricelist or on frontal concrete ceiling we recommend the use of injection systems from fischer (e.g. FIS V 360 S). You can order them directly from us.

If you use a different mounting system or your own brackets, you will need a table of pull-out resistance of screw anchors in order to determine the working load.

This order confirmation is according to the current terms of payment and delivery.

<https://www.weinor.com/agb/>

delivery exw Cologne
payment: With direct debit 5% discount payment
mode of dispatch UK export