

weinor Ltd 73 Cornhill EC3V 3QQ London

## C P Interiors

**Rue Des Pres Trading Estate  
GB-JE2 7QN St Saviour Jersey**

### delivery address

DSV Road Ltd

10 Brunel Way, Segensworth Industrial Estate  
GB-PO15 5TX Hampshire, Fareham

## ORDER CONFIRMATION (release 1)

sales order no.:	202696087 of 22.07.2022
customer:	165708
reference:	Hattie Carlton
Your order no.:	SO13516
contact person:	William Abbott
E-Mail	WAbbott@weinor.de
phone number:	+49-221-59709-472
representat.	654 Chris Spickett
tel (representat.):	0044 ( 0) 7894443907

Dear Weinor Partner,

with immediate effect our new bank account for the weinor Ltd. is active and can be used !

We kindly ask you to send and place all payment in the favour of weinor Ltd. to the following Bank Details.

Commerzbank London  
Sort Code: 406201  
Account Number: 307 537 10  
In favour of : Weinor Ltd.

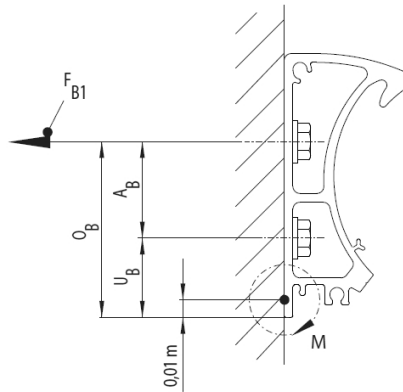
Thank you very much for your support.

weinor Ltd 73 Cornhill EC3V 3QQ London

pos	quantity	article code
-----	----------	--------------

1	1,00	1303	Cassita II
---	------	------	------------

Anticipated delivery	: 05.09.2022		
Product use	: private house		
width [cm]	: 450	cm	
Projection [cm]	: 300	cm	2.575,00
Basic colour	: WT029/10797 Approx. RAL 9010		
no. of arms	: 2	Piece	
insulation [mm]	: 0	mm	
bracket type 1	: wall fixing		
number of brackets 1	: 2	Piece	54,00



**Force 1 means the pull-out force per upper fastener F(B).**

FB1 Force 1 per fixing point	: 2829	N
Torque per folding arm [Nm]	: 509	Nm

**Please note that your selected awning configuration results in the following forces per upper fixing point (pull-out, lateral and/or shear forces). These must be accounted for by using suitable fixings.**

bracket position left [mm]	: 90	mm
bracket position right [mm]	: 90	mm
arm position left	: 58	mm

weinor Ltd  
73 Cornhill  
GB-EC3V 3QQ London  
weinor.com

Managing Director:  
Thilo Weiermann  
General partner:  
Weinor Beteiligungs-GmbH  
Köln

VAT no.: 335 2381 16  
Company no.: 12193066  
UTR no.: 33431 24084  
EORI no.: GB335238116000

**Domestic transfers:**  
Commerzbank London  
Sort Code: 406201  
Account Number: 307 537 10

**International transfers:**  
Commerzbank London  
IBAN: GB51 COBA 4062 0130 7537 10  
Swift: MIDLGB22 a/c COBAGB2X

weinor Ltd 73 Cornhill EC3V 3QQ London

customer: 165708 sales order 202696087

Page 3 of 4

**pos quantity article code**

arm position right	: 58	mm	
type of control	: ioHomeControl		123,00
Side of control (seen from the front)	: right		
Hirschmann plug?	: Hirschmann plug not assembled		13,00
control	: hand transmitter Situo 1 io Pure II		92,00
Type of engine	: Motor Sfy Sunea50 io 40/17 ohne Zubehör		
real-design	: DI8907	grey -white, block	310,50
colour of thread Saba	: white		
Cardboard container	: edges reinforcement		
weight	: 58	kg	

value of goods	discount amount / %	net
3.167,50	1.267,00 / 40,00	1.900,50

999 1,00 127887-0000 net material cost surcharge

price per unit	: 36	36,00
Pos 1 - Cassita II - 36,00 GBP		36,00

value of goods	discount amount / %	net
36,00	0,00 / 0,00	36,00

value of goods	discount amount	net	VAT (0 %)	Total GBP
3.203,50	1.267,00	1.936,50	0,00	1.936,50

weinor Ltd  
73 Cornhill  
GB-EC3V 3QQ London  
weinor.com

Managing Director:  
Thilo Weiermann  
General partner:  
Weinor Beteiligungs-GmbH  
Köln

VAT no.: 335 2381 16  
Company no.: 12193066  
UTR no.: 33431 24084  
EORI no.: GB335238116000

**Domestic transfers:**  
Commerzbank London  
Sort Code: 406201  
Account Number: 307 537 10

**International transfers:**  
Commerzbank London  
IBAN: GB51 COBA 4062 0130 7537 10  
Swift: MIDLGB22 a/c COBAGB2X

Our spoken and written advice focuses on an explanation of the best possible use of our products and services. It does not liberate you from the obligation to check fitness of our products and services for your particular purpose. That includes the inspection of the general condition and especially maximum capacity load of fixing base as well as forwarding all respective information in addition to your order to weinor. That way delivery of the correct type and number of brackets is guaranteed. If our product can not be used as upon agreement due to false or lacking information we or any auxiliary person do accept contractual or non-contractual liabilities only in case of malicious intent or gross negligence.

In order to mount all brackets corresponding their fixing base you will need suitable mounting systems. For mounting on concrete C20/25 we recommend heavy duty anchor-systems from fischer (e.g. FAZ II M12/10 GS or FAZ II M12/30 GS). In case of mounting on any other base referred to in our pricelist or on frontal concrete ceiling we recommend the use of injection systems from fischer (e.g. FIS V 360 S). You can order them directly from us.

If you use a different mounting system or your own brackets, you will need a table of pull-out resistance of screw anchors in order to determine the working load.

This order confirmation is according to the current terms of payment and delivery.

<https://www.weinor.com/agb/>

delivery exw Cologne  
payment: With direct debit 5% discount payment  
mode of dispatch UK export