



Creating healthy spaces  
 NV RENSON® Sunprotection-Screens SA

Gone through measurements,  
 colours, etc. Tamara

## Quotation

<b>Quotation date</b>	07.11.2022	CP Interiors
<b>Quotation number</b>	20054078	St. Saviour
<b>Customer number</b>	1001334	28 Rue des Pres. Tr. Est.
<b>Your VAT number</b>		JE2 7QN JERSEY
<b>Currency</b>	GBP	JERSEY
<b>Project reference</b>	Dwyer SO13334 final measure	
<b>Order reference</b>	DWYER SO13334	
<b>Validity from-to</b>	07.11.2022 - 07.12.2022	

**Incoterms** DAP  
 Jersey

### Delivery address

CP Interiors  
 St. Saviour  
 28 Rue des Pres. Tr. Est.  
 JE2 7QN JERSEY  
 JERSEY

## Overview

Material	Quantity	Net amount	VAT %
001000 CAM2 CAMARGUE	1,00 PC	19.337,51	

<b>Total before VAT</b>	<b>19.337,51</b>
<b>VAT</b>	<b>0,00</b>
<b>Total incl. VAT</b>	<b>19.337,51</b>

Free of VAT, export

### PAYMENT INFORMATION

Payment term 30 days end of month

For questions or remarks regarding this document, please send an email to [outdoor-uk@renson.be](mailto:outdoor-uk@renson.be)

The General Terms and Conditions of Sale are integral part of our agreement. See Professional Portal at <http://www.renson.eu/>



Creating healthy spaces  
NV RENSON® Sunprotection-Screens SA

## Quotation

20054078

07.11.2022

Design Style	No
<b>Side Infills</b>	
<b>Span 2 (S2)</b>	
Infill S2	Glass sliding panels
Opening direction S2	Opening right to left
Height glass sliding panels S2	Passage height
<b>Pivot 1 (P1)</b>	
Infill P1	Glass panels & Fixscreen
Opening direction P1	Sliding open from the middle
Height glass sliding panels P1	Passage height
<b>General specifications</b>	
Infill height Fixscreen	Passage height
Glass included	Yes
Type glas	Clear glass
Sealing for glass panels	Yes
<b>Comfort</b>	
<b>Lighting</b>	
Position UpDown led	Pivot 1 + 2
Color led 'UP'	RGB
Color led 'DOWN'	Warm white
<b>Comfort &amp; Design</b>	
Protecto on roof part 1	Yes
Protecto side	P1 & P2
Waterproof wall connection	Yes
<b>Automation</b>	
Country of installation	United Kingdom
Motor control	Somfy IO
Renson Connect App	Yes
Frost/Snow function	No
Transmitter	Situo 5 IO Pure II
Rain sensor	Ceramic rain sensor
Voltage motor	230V
Electrical certification	CE (Standard)
Is there a Tahoma account	No
<b>Styling</b>	
<b>Colors</b>	
Color type frame and columns	Textured
Color code frame and columns	068771764-TIGER RAL7021 TEXTURE
Color type of roof blades	Matt
Color of roof blades	AE20107226021-AXALTA RAL9007 MATT SMOOTH
<b>Type of fabrics</b>	
Type of fabric Fixscreen	Fibreglass fabric Sergé
Fabric code Fixscreen	FG-SC 0130 GREY-CHARCOAL
Confection side	Confection side 1
<b>Technical specs</b>	
<b>General</b>	
Motor position	Pivot 2 (P2)
Blade rotation	Indirect sunlight
<b>Columns</b>	
Mounting base 1A	Invisible reinforced
Mounting holes in the col. 1A	Yes
Direction of water drainage 1A	Pivot
Height water drainage 1A	66 mm/ 2.60" + overlength
Mounting base 1B	Invisible reinforced

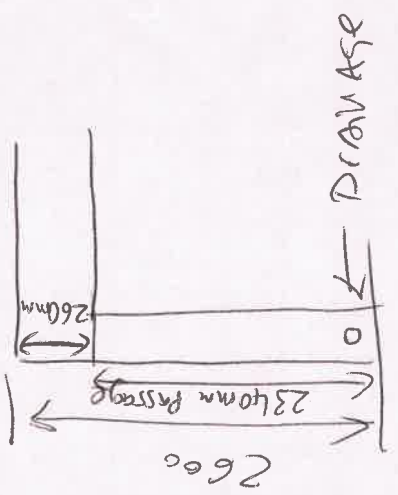
# FINAL MEASURE

3 posts



To 2600 Top

~~Flange~~



WALL 2952

EXIST PRAIN

5400

our outer drainage



# CP INTERIORS

June 09, 2022

REF : SO13334

Mr. Jamey Dwyer  
Station House  
La Grande Route de St Pierre  
St Peter  
JE3 7AX

Dear Mr. Jamey Dwyer

As requested, we have pleasure in submitting our quotation for the following.

*confirmed in showroom*

Description	QTY	Price
To Supply and Fit ,Bladed Roof Systems, Renson Camargue, with 3 columns, electric operation of louvres with rain sensor. Powder coated in colour of your choice (RAL702 <input checked="" type="checkbox"/> MBC) Size: 3m span x 5.5m pivot x 2.6m complete height, Passage Height 2.45m <i>MAT 9007 FOR ROOF BLADES (contrasting)</i>	1	£ 31,202.00
To Supply and Fit ,Bladed Roof Systems, 1 x Fixscreen to Pivot side in a serge fabric to be decided <i>SCO130 serge.</i>	1	£ 4,175.00
To Supply and Fit ,Bladed Roof Systems, Glass sliding doors to 1 x span & 1 x pivot sides. Left side stacking back towards house, front side splitting from the middle outwards.	1	£ 12,895.00
To Supply and Fit ,Bladed Roof Systems, 2 x updown LED - warm white down and RGB up - to both Pivot sides	1	£ 5,690.00
.. Above operated by Remote control.		
Option for Tahoma Switch box to allow operation via Somfy App,	1	£ 250.00

.. Please note these structures are designed as garden rooms and as such may not be completely water tight.

Excludes electrical works.,

Subtotal : £ 54,212.00  
 GST : £ 2,710.60  
 Total : £ 56,922.60

Please note these structure are designed as garden rooms and as such may not be completely water tight. As with all our custom orders, we require a deposit of 40% at the time of placing your order, 40% on delivery to the Island and 20% balance on completion. All prices are subject to GST.

**Our Price Promise to you, we will beat any written quotation by 5% (on equivalent specification).**

Thank you for your enquiry and we hope you will find this quotation acceptable. Should you require any further information, please contact us.

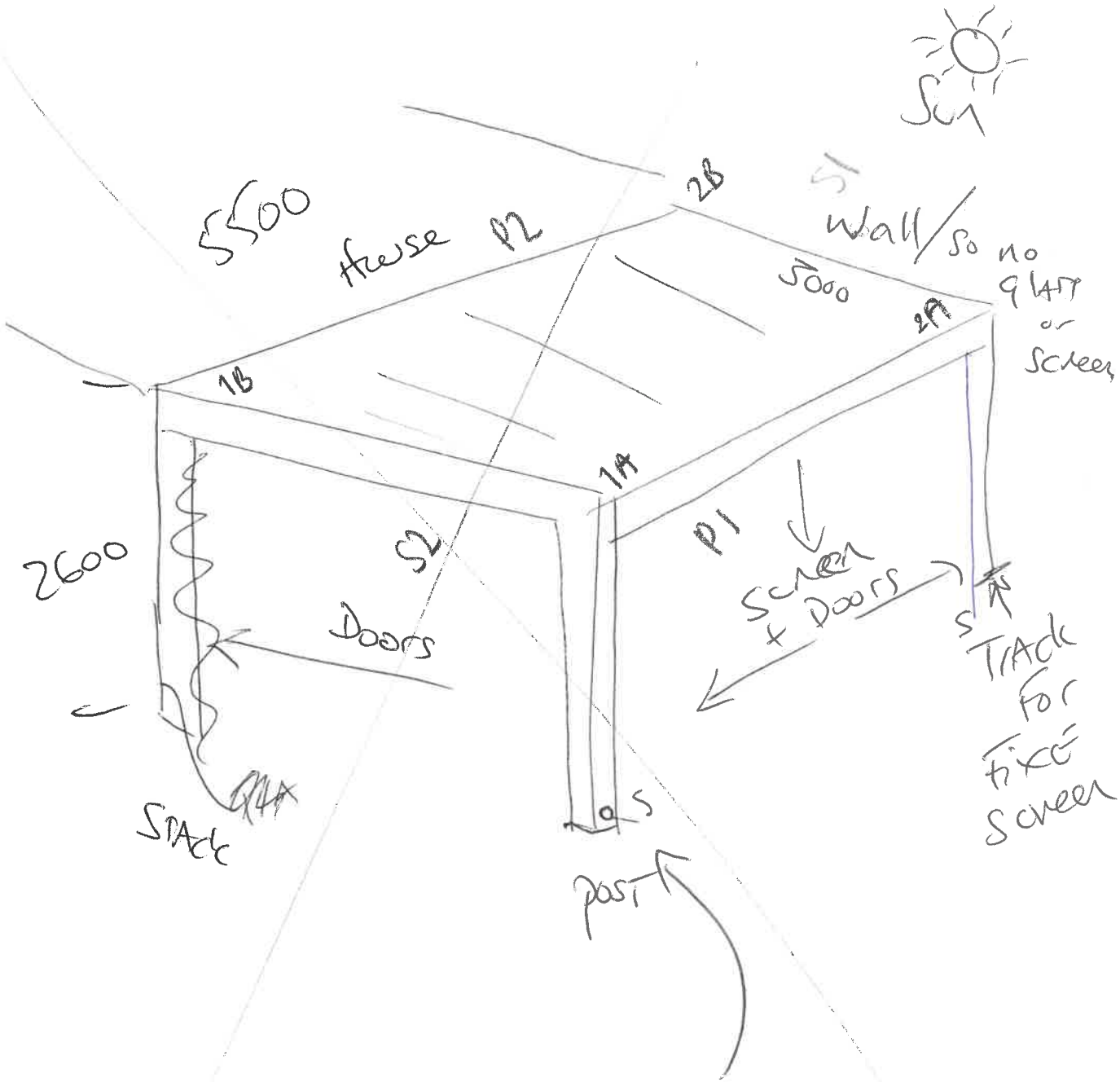
Yours sincerely  
Leeana

**To accept the above quotation, please indicate which option is required, sign below and return this letter together with your deposit. Please note extract of our terms and conditions below.**

.....  
SIGNATURE

.....  
DATE

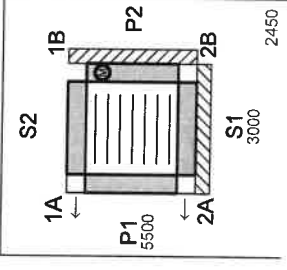
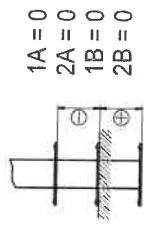
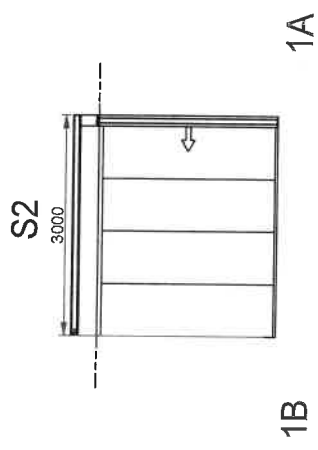
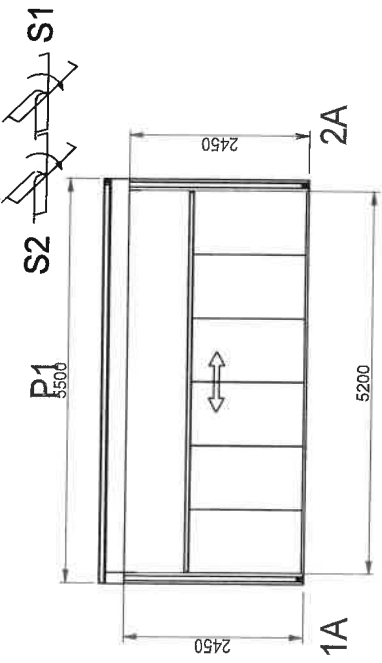
# # FIRST MEASURE



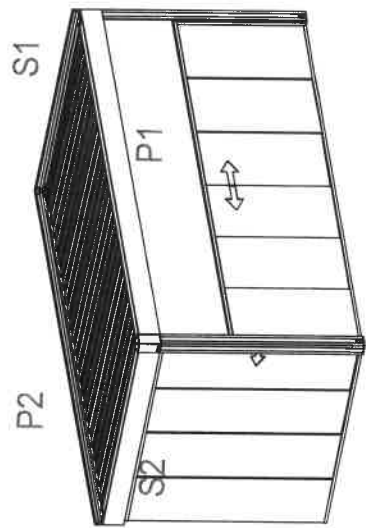
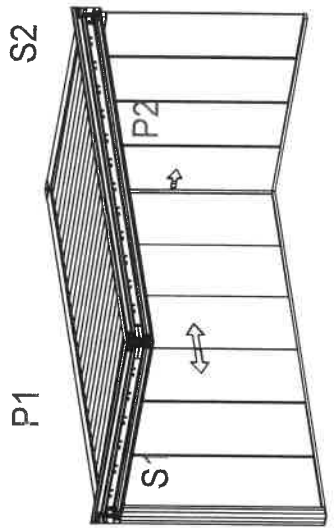
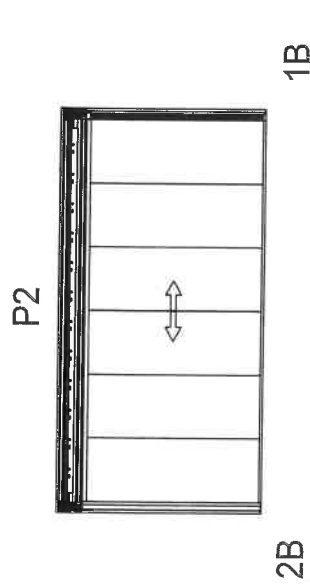
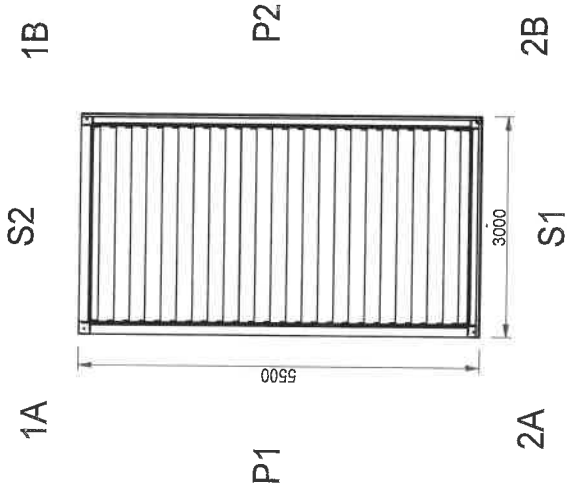
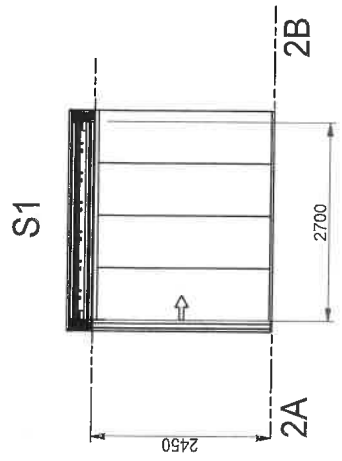
Slab going here  
& need to know  
where abouts drainage  
is. Builder is  
Lawrence, his no ↓

07797 935135

Filling on wed 30  
Please contact before  
then.



Depending on the phase you are in, you have received a quote or an order drawing.  
 The quote drawing is a standard drawing based on a standard configuration.  
 Any remarks and/or attachments are not visible on the quote drawing.  
 In the order drawing we integrate as much as possible any remarks and/or attachments.  
 Remarks or attachments that can not be integrated in the order drawing will be considered when your order goes in production.



Client Reference :	Sheet : 1 / 1
<b>RENSON®</b> Creating healthy spaces www.renson.nl - 8790 Wierum (België)	Scale : 1 : 60
Orderline ref. : 20041644002000.90423	Drawn: AutoHOC
Client :	Size : A3
Creation date : 30/05/2022 - 17:41:51	Color:
This drawing is issued by RENSON® and is the property of RENSON®. It is not to be used or shown to third parties without written permission.	



# CP INTERIORS

May 30, 2022

REF : SO13334

Mr. Jamey Dwyer  
 Station House  
 La Grande Route de St Pierre  
 St Peter  
 JE3 7AX

Dear Mr. Jamey Dwyer

As requested, we have pleasure in submitting our quotation for the following.

Description	QTY	Price
To Supply and Fit ,Bladed Roof Systems, Renson Camargue, with 2 columns, electric operation of louvres with rain sensor. Install against building on two sides. Powder coated in colour of your choice (RAL7021 TBC) to structure and louvres Size: 3m span x 5.5m pivot x 2.6m complete height, Passage Height 2.45m	1	£ 31,202.00
To Supply and Fit ,Bladed Roof Systems, 1 x Fixscreen to Pivot side in a Serge fabric to be decided	1	£ 4,175.00
To Supply and Fit ,Bladed Roof Systems, Glass sliding doors to 1 x span side stacking back towards house, 1 x pivot side splitting from the middle outwards.	1	£ 12,895.00
To Supply and Fit ,Bladed Roof Systems, 2 x updown LED - warm white down and RGB up - to both Pivot sides	1	£ 5,690.00
.. Above operated by Remote control,		
Option for Tahoma Switch box to allow operation via Somfy App,	1	£ 250.00
.. Please note these structures are designed as garden rooms and as such may not be completely water tight.		
Excludes electrical works.,		
	<b>Subtotal :</b>	<b>£ 54,212.00</b>
	<b>GST :</b>	<b>£ 2,710.60</b>
	<b>Total :</b>	<b>£ 56,922.60</b>

Please note these structure are designed as garden rooms and as such may not be completely water tight. As with all our custom orders, we require a deposit of 40% at the time of placing your order, 40% on delivery to the Island and 20% balance on completion. All prices are subject to GST.

**Our Price Promise to you, we will beat any written quotation by 5% (on equivalent specification).**

Thank you for your enquiry and we hope you will find this quotation acceptable. Should you require any further information, please contact us.

Yours sincerely  
 Leana

**To accept the above quotation, please indicate which option is required, sign below and return this letter together with your deposit. Please note extract of our terms and conditions below.**

.....  
 SIGNATURE

.....  
 DATE

Tel : (01534) 768141

[www.cpinteriors.ie](http://www.cpinteriors.ie)

Rue des Prés trading Estate, St Saviour, Jersey, JE2 7GN

## Leeana Taft

---

**From:** jameydwyer <jameydwyer@yahoo.co.uk>  
**Sent:** 14 May 2022 12:17  
**To:** Leeana Taft  
**Cc:** Lyndsay  
**Subject:** Station House - Renson Pergola

Hi Leeana

I popped in to your showroom on Wednesday and we discussed Renson pergolas and Weinor glasshouses. Thanks for your time in talking through options.

Would it be possible to give us an estimated price for a Renson Camargue Skye if we share approximate dimensions and details of what we're looking for in terms of specification? We'd like a ballpark figure to help us with our calculations now we have decided against proceeding with the originally planned extension.

Once we understand the financials we can discuss with Lawrence of Innovate Builders and progress to proper measurements for ordering.

We would like a Pergola to fit a space of approx 5.70m wide and 2.80m deep.

*PIVOT 1 SPAN 2.*

Two sides will be walls, one being the house along the long side (5.70m) with another wall extending from the house at a right angle to approx 2.80m.

We'd like ~~glass sliders~~ on both the non-walled sides but with a fixed screen in the shorter side. We'd like a ~~sound and heat bar~~ and built in lighting. In terms of colour we would like RAL7021. *LONGER*

Would it be possible to price the same for Camargue also should there be a major difference in price between Carmargue and Carmargue Skye?

If it would help to discuss please let me know but hopefully enough information for a ball park quote. We like the models in pages 75/76 and 77 of the Renson brochure.

Many thanks

Jamey Dwyer

DWYER.

Price breakdown

x

step 2 56,328

1 -

1.1 -

Name	Quantity	Price/piece	Gross price	Discount	Net price (excl. VAT)
Camargue	1	15.125,00 GBP	15.125,00 GBP		
Camargue Line column	3	550,00 GBP	1.650,00 GBP		
Camargue Line reinforced mounting base	1	208,00 GBP	208,00 GBP		
			<b>16.983,00 EUR</b>	<b>40 %</b>	<b>10.189,80 EUR</b>
Integrated Fixscreen	1	1.639,00 GBP	1.639,00 GBP		
			<b>1.639,00 EUR</b>	<b>40 %</b>	<b>983,40 EUR</b>
Glass sliding panels	1	2.804,00 GBP	2.804,00 GBP		
Glass sliding panels	1	4.806,00 GBP	4.806,00 GBP		
Emergency locking with Allen key	3	89,00 GBP	267,00 GBP		
Rubber sealing	9	37,00 GBP	333,00 GBP		
			<b>8.210,00 EUR</b>	<b>40 %</b>	<b>4.926,00 EUR</b>
UpDown Led : 2x Up White + Down White	1	3.609,00 GBP	3.609,00 GBP		
			<b>3.609,00 EUR</b>	<b>40 %</b>	<b>2.165,40 EUR</b>
1 Heat + Sound + Bluetooth	1	2.495,00 GBP	2.495,00 GBP		
Amplifier	1	806,00 GBP	806,00 GBP		
Heating receiver	1	362,00 GBP	362,00 GBP		
			<b>3.663,00 EUR</b>	<b>40 %</b>	<b>2.197,80 EUR</b>
Protecto	1	1.420,00 GBP	1.420,00 GBP		
Situo 5 RTS Pure - 5-channel transmitter	1	90,32 GBP	90,32 GBP		
Watertight wall connection (installation profile)	1	417,00 GBP	417,00 GBP		
Watertight wall connection (installation profile)	1	784,00 GBP	784,00 GBP		
			<b>2.711,32 EUR</b>	<b>40 %</b>	<b>1.626,79 EUR</b>
<b>Total (incl. discount)</b>			<b>36.815,32 GBP</b>		<b>22.089,19 GBP</b>

+ 1626 = x2.5 = 29537  
= 2457.

= 12315

x2.5 = 5412

of heater only inc. 1230.  
Received = 3075.

of = 5492.

RGB up  
White Down } = 5800  
P1 + P2

# Price breakdown

X

Camargue	1	14,664.00 GBP	14,664.00 GBP						
Camargue Line column	1	550.00 GBP	2,200.00 GBP						
Camargue Line reinforced mounting base	4	208.00 GBP	832.00 GBP						
Integrated Fixscreen	1	2,783.00 GBP	2,783.00 GBP	40 %	17,716.00 EUR	10,629.60 EUR	31202		
Glass sliding panels	1	2,964.00 GBP	2,964.00 GBP	40 %	2,783.00 EUR	1,669.80 EUR	4175		
Glass sliding panels	2	4,599.00 GBP	4,599.00 GBP						
Emergency locking with Allen key	3	59.00 GBP	267.00 GBP						
Rubber sealing	3	37.00 GBP	333.00 GBP						
Up/Down Led : 2x Up RGB - Down White	1	3,794.00 GBP	3,794.00 GBP	40 %	8,263.00 EUR	4,957.80 EUR	12395		
Protecto	1	1,393.00 GBP	1,393.00 GBP	40 %	3,794.00 EUR	2,276.40 EUR	4553 (x2)		
Rain sensor	1	236.86 GBP	236.86 GBP						
Sibus 5.10 Pure II - 5-channel transmitter	1	90.32 GBP	90.32 GBP						
Tahoma	1	198.00 GBP	198.00 GBP						
Watertight wall connection installation profile)	1	417.00 GBP	417.00 GBP						
Watertight wall connection (installation profile)	1	750.00 GBP	750.00 GBP	40 %	3,085.18 EUR	1,851.11 EUR			