

DSV

3/8/22

Weinor

~~8015291~~

Buckley

1x box - awning

+ 2x leaders

ASSOCIATED FREIGHT SERVICES LTD **AFS**

INTERNATIONAL FREIGHT FORWARDERS

DELIVERY ADDRESS

GP INTERIORS C/O DSV ROAD LIMITED
10 BRUNEL WAY
SEGENSWORTH INDUSTRIAL ESTATE
FAREHAM, PO15 5TX
United Kingdom

Our reference: 5736/22-14-1

Your reference: 202677902

Date: 14/07/2022

DELIVERY NOTE

SHIPPER:

WEINOR GMBH
MATHIAS-BRUGGEN-STRASSE 110
50829 KÖLN
Germany

Special Instructions:

Terms of Shipment:

Number of Packages: 3 CARTONS: 580

Gross Weight: 101.000

Description of Goods: AWNINGS/BLINDS
202677902

Buckley

RECIEVED:

DATE:

SIGNED:

PRINT:

PALLETS/CARTONS RECIEVED IN GOOD CONDITION

Subject to our terms and conditions, no claims for damages or shortages will be accepted unless made in writing within 7 days of delivery.

Unit 3E, Falcon Way off Central Way, Feltham, Middlesex, TW14 0JQ

Tel: 020 8890 1066 - Fax: 020 8890 3398 - Email: info@afs-uk.co.uk - www.associatedfreight.co.uk

Registered office: Plaza Building, Lee High Road, London SE13 5PT - Registered in England No 2389525 - VAT No 584 4555 09



BRITISH INTERNATIONAL
FREIGHT ASSOCIATION

weinor Ltd 73 Cornhill EC3V 3QQ London

C P Interiors

**Rue Des Pres Trading Estate
GB-JE2 7QN St Saviour Jersey**

delivery address

DSV Road Ltd

10 Brunel Way, Segensworth Industrial Estate
GB-PO15 5TX Hampshire, Fareham

ORDER CONFIRMATION (release 1)

sales order no.: 202677902 of 20.05.2022
customer: 165708
reference: Buckley SO13291
Your order no.:
contact person: William Abbott
E-Mail: WAbbott@weinor.de
phone number: +49-221-59709-472
representat. 654 Chris Spickett
tel (representat.): 0044 (0) 7894443907

Dear Weinor Partner,

with immediate effect our new bank account for the weinor Ltd. is active and can be used !

We kindly ask you to send and place all payment in the favour of weinor Ltd. to the following Bank Details.

Commerzbank London
Sort Code: 406201
Account Number: 307 537 10
In favour of : Weinor Ltd.

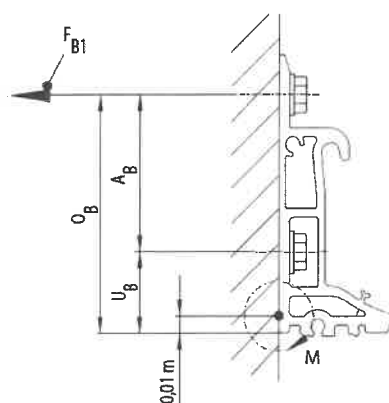
Thank you very much for your support.

weinor Ltd 73 Cornhill EC3V 3QQ London

pos	quantity	article code
-----	----------	--------------

1	1,00	1883	Opal Design II
---	------	------	----------------

Anticipated delivery	:	04.07.2022	
Product use	:	private house	
width [cm]	:	550	cm
Projection [cm]	:	300	cm
Basic colour	:	WT029/10797 Approx. RAL 9010	3.306,00
Folding arm design	:	Arm with LongLife technology and high-tech belt	
no. of arms	:	2	arms
insulation [mm]	:	0	mm
bracket type 1	:	wall fixing 150 mm Opal Design II	
number of brackets 1	:	3	Piece
			111,00



Force 1 means the pull-out force per upper fastener F(B).

FB1 Force 1 per fixing point	:	2745	N
M = Torque per folding arm	:	697	Nm

Please note that your selected awning configuration results in the following forces per upper fixing point (pull-out, lateral and/or shear forces). These must be accounted for by using suitable fixings.

bracket position left 1st array	:	46,5	cm
bracket position center 1st array	:	275	cm

weinor Ltd
73 Cornhill
GB-EC3V 3QQ London
weinor.com

Managing Director:
Thilo Weiermann
General partner:
Weinor Beteiligungs-GmbH
Köln

VAT no.: 335 2381 16
Company no.: 12193066
UTR no.: 33431 24084
EORI no.: GB335238116000

Domestic transfers:
Commerzbank London
Sort Code: 406201
Account Number: 307 537 10

International transfers:
Commerzbank London
IBAN: GB51 COBA 4062 0130 7537 10
Swift: MIDLGB22 a/c COBAGB2X

weinor Ltd 73 Cornhill EC3V 3QQ London

customer: 165708 sales order 202677902

Page 3 of 6

pos	quantity	article code
-----	----------	--------------

bracket position right 1st array	: 46,5	cm	
type of control	: engine		
Side of control (seen from the front)	: right		
with remote control BiConnect	: Yes! Please remind the separate order!		
Information on BiConnect	: The BiConnect has been done in 202677902 position 2!		
electrical engine connection	: 118841-0000 Kabel 3G1 L4200 OE/STAK3		
Hirschmann plug?	: without Hirschmann plug		
Type of engine	: Motor L50-17-E12-V1+ ohne Zubehör		
Wall connection seal	: with wall connection		59,95
real-design	: WE6-409	weitex classic my collections	
colour of thread Saba	: RAL 7001 Silver grey		
Cardboard container	: edges reinforcement		
weight	: 87	kg	

value of goods	discount amount / %	net
3.476,95	1.390,78 / 40,00	2.086,17

weinor Ltd
73 Cornhill
GB-EC3V 3QQ London
weinor.com

Managing Director:
Thilo Weiermann
General partner:
Weinor Beteiligungs-GmbH
Köln

VAT no.: 335 2381 16
Company no.: 12193066
UTR no.: 33431 24084
EORI no.: GB335238116000

Domestic transfers:
Commerzbank London
Sort Code: 406201
Account Number: 307 537 10

International transfers:
Commerzbank London
IBAN: GB51 COBA 4062 0130 7537 10
Swift: MIDLGB22 a/c COBAGB2X

weinor Ltd 73 Cornhill EC3V 3QQ London

customer: 165708 sales order 202677902

Page 4 of 6

pos	quantity	article code
-----	----------	--------------

2	1,00	2557	BiConnect
---	------	------	-----------

Anticipated delivery : 04.07.2022

deliver BiConnect separate? : No; supply receiver and handheld remote control with awning

shipment info : The pre set receivers (except LED) and the handset will be packed with contract number 202677902 pos 1!

Receiver for motor/ : 1 BiRec MA, basic 104,00

control : BiConnect BiEasy 5M (silver version) 121,00

learned on channel 1 : BiRec MA-K, basic for order 202677902/1:
Opal Design II engine right

No. of BiSens Agido-3V : 1 Piece 154,00

value of goods	discount amount / %	net
----------------	---------------------	-----

379,00	151,60 / 40,00	227,40
--------	----------------	--------

3	2,00	1950	Tempura
---	------	------	---------

Execution : Tempura 1,5 KW

Anticipated delivery : 04.07.2022

Product use : private house

Utilisation : for type Opal

width : 50 cm 521,00

operation : Standard hard wired - no remote control

access : Hirschmann plug (standard)

Basic colour : WT029/10797 Approx. RAL 9010

weight : 2 kg

value of goods	discount amount / %	net
----------------	---------------------	-----

1.042,00	416,80 / 40,00	625,20
----------	----------------	--------

weinor Ltd
73 Cornhill
GB-EC3V 3QQ London
weinor.com

Managing Director:
Thilo Weiermann
General partner:
Weinor Beteiligungs-GmbH
Köln

VAT no.: 335 2381 16
Company no.: 12193066
UTR no.: 33431 24084
EORI no.: GB335238116000

Domestic transfers:
Commerzbank London
Sort Code: 406201
Account Number: 307 537 10

International transfers:
Commerzbank London
IBAN: GB51 COBA 4062 0130 7537 10
Swift: MIDLGB22 a/c COBAGB2X

weinor Ltd 73 Cornhill EC3V 3QQ London

customer: 165708 sales order 202677902

Page 5 of 6

pos	quantity	article code
-----	----------	--------------

999	1,00	127887-0000 net material cost surcharge
-----	------	---

price per unit	44	44,00
----------------	----	-------

Pos 1 - Opal Design II - 44,00 GBP		44,00
------------------------------------	--	-------

value of goods	discount amount / %	net
44,00	0,00 / 0,00	44,00

value of goods	discount amount	net	VAT (0 %)	Total GBP
4.941,95	1.959,18	2.982,77	0,00	2.982,77

weinor Ltd
73 Cornhill
GB-EC3V 3QQ London
weinor.com

Managing Director:
Thilo Weiermann
General partner:
Weinor Beteiligungs-GmbH
Köln

VAT no.: 335 2381 16
Company no.: 12193066
UTR no.: 33431 24084
EORI no.: GB335238116000

Domestic transfers:
Commerzbank London
Sort Code: 406201
Account Number: 307 537 10

International transfers:
Commerzbank London
IBAN: GB51 COBA 4062 0130 7537 10
Swift: MIDLGB22 a/c COBAGB2X

weinor Ltd 73 Cornhill EC3V 3QQ London

customer: 165708 sales order 202677902

Page 6 of 6

Our spoken and written advice focuses on an explanation of the best possible use of our products and services. It does not liberate you from the obligation to check fitness of our products and services for your particular purpose. That includes the inspection of the general condition and especially maximum capacity load of fixing base as well as forwarding all respective information in addition to your order to weinor. That way delivery of the correct type and number of brackets is guaranteed. If our product can not be used as upon agreement due to false or lacking information we or any auxiliary person do accept contractual or non-contractual liabilities only in case of malicious intent or gross negligence.

In order to mount all brackets corresponding their fixing base you will need suitable mounting systems. For mounting on concrete C20/25 we recommend heavy duty anchor-systems from fischer (e.g. FAZ II M12/10 GS or FAZ II M12/30 GS). In case of mounting on any other base referred to in our pricelist or on frontal concrete ceiling we recommend the use of injection systems from fischer (e.g. FIS V 360 S). You can order them directly from us.

If you use a different mounting system or your own brackets, you will need a table of pull-out resistance of screw anchors in order to determine the working load.

This order confirmation is according to the current terms of payment and delivery.

<https://www.weinor.com/agb/>

delivery exw Cologne
 payment: With direct debit 5% discount payment
 mode of dispatch UK export

weinor Ltd
 73 Cornhill
 GB-EC3V 3QQ London
 weinor.com

Managing Director:
 Thilo Weiermann
 General partner:
 Weinor Beteteiligungs-GmbH
 Köln

VAT no.: 335 2381 16
 Company no.: 12193066
 UTR no.: 33431 24084
 EORI no.: GB335238116000

Domestic transfers:
 Commerzbank London
 Sort Code: 406201
 Account Number: 307 537 10

International transfers:
 Commerzbank London
 IBAN: GB51 COBA 4062 0130 7537 10
 Swift: MIDLGB22 a/c COBAGB2X