

weinor Ltd 73 Cornhill EC3V 3QQ London

C P Interiors

**Rue Des Pres Trading Estate
GB-JE2 7QN St Saviour Jersey**

delivery address

DSV Road Ltd

10 Brunel Way, Segensworth Industrial Estate
GB-PO15 5TX Hampshire, Fareham

ORDER CONFIRMATION (release 1)

sales order no.:	202677902 of 20.05.2022
customer:	165708
reference:	Buckley SO13291
Your order no.:	
contact person:	William Abbott
E-Mail	WAbbott@weinor.de
phone number:	+49-221-59709-472
representat.	654 Chris Spickett
tel (representat.):	0044 (0) 7894443907

Dear Weinor Partner,

with immediate effect our new bank account for the weinor Ltd. is active and can be used !

We kindly ask you to send and place all payment in the favour of weinor Ltd. to the following Bank Details.

Commerzbank London
Sort Code: 406201
Account Number: 307 537 10
In favour of : Weinor Ltd.

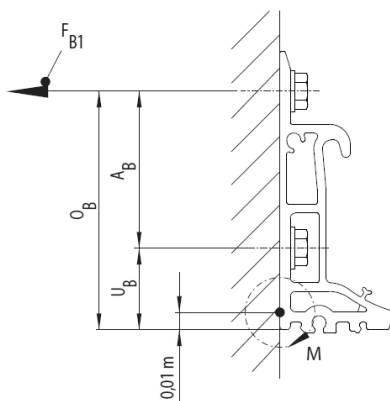
Thank you very much for your support.

weinor Ltd 73 Cornhill EC3V 3QQ London

pos	quantity	article code
-----	----------	--------------

1	1,00	1883	Opal Design II
---	------	------	----------------

Anticipated delivery	: 04.07.2022		
Product use	: private house		
width [cm]	: 550	cm	
Projection [cm]	: 300	cm	3.306,00
Basic colour	: WT029/10797 Approx. RAL 9010		
Folding arm design	: Arm with LongLife technology and high-tech belt		
no. of arms	: 2	arms	
insulation [mm]	: 0	mm	
bracket type 1	: wall fixing 150 mm Opal Design II		
number of brackets 1	: 3	Piece	111,00



Force 1 means the pull-out force per upper fastener F(B).

FB1 Force 1 per fixing point	: 2745	N
M = Torque per folding arm	: 697	Nm

Please note that your selected awning configuration results in the following forces per upper fixing point (pull-out, lateral and/or shear forces). These must be accounted for by using suitable fixings.

bracket position left 1st array	: 46,5	cm
bracket position center 1st array	: 275	cm

weinor Ltd
73 Cornhill
GB-EC3V 3QQ London
weinor.com

Managing Director:
Thilo Weiermann
General partner:
Weinor Beteiligungs-GmbH
Köln

VAT no.: 335 2381 16
Company no.: 12193066
UTR no.: 33431 24084
EORI no.: GB335238116000

Domestic transfers:
Commerzbank London
Sort Code: 406201
Account Number: 307 537 10

International transfers:
Commerzbank London
IBAN: GB51 COBA 4062 0130 7537 10
Swift: MIDLGB22 a/c COBAGB2X

weinor Ltd 73 Cornhill EC3V 3QQ London

customer: 165708 sales order 202677902

Page 3 of 6

pos	quantity	article code
-----	----------	--------------

bracket position right 1st array	: 46,5	cm	
type of control	: engine		
Side of control (seen from the front)	: right		
with remote control BiConnect	: Yes! Please remind the separate order!		
Information on BiConnect	: The BiConnect has been done in 202677902 position 2!		
electrical engine connection	: 118841-0000 Kabel 3G1 L4200 OE/STAK3		
Hirschmann plug?	: without Hirschmann plug		
Type of engine	: Motor L50-17-E12-V1+ ohne Zubehör		
Wall connection seal	: with wall connection		59,95
real-design	: WE6-409	weitex classic my collections	
colour of thread Saba	: RAL 7001 Silver grey		
Cardboard container	: edges reinforcement		
weight	: 87	kg	

value of goods	discount amount / %	net
3.476,95	1.390,78 / 40,00	2.086,17

weinor Ltd
73 Cornhill
GB-EC3V 3QQ London
weinor.com

Managing Director:
Thilo Weiermann
General partner:
Weinor Beteiligungs-GmbH
Köln

VAT no.: 335 2381 16
Company no.: 12193066
UTR no.: 33431 24084
EORI no.: GB335238116000

Domestic transfers:
Commerzbank London
Sort Code: 406201
Account Number: 307 537 10

International transfers:
Commerzbank London
IBAN: GB51 COBA 4062 0130 7537 10
Swift: MIDLGB22 a/c COBAGB2X

weinor Ltd 73 Cornhill EC3V 3QQ London

customer: 165708 sales order 202677902

Page 4 of 6

pos	quantity	article code
-----	----------	--------------

2	1,00	2557	BiConnect
---	------	------	-----------

Anticipated delivery : 04.07.2022

deliver BiConnect separate? : No; supply receiver and handheld remote control with awning

shipment info : The pre set receivers (except LED) and the handset will be packed with contract number 202677902 pos 1!

Receiver for motor/ : 1 BiRec MA, basic 104,00

control : BiConnect BiEasy 5M (silver version) 121,00

learned on channel 1 : BiRec MA-K, basic for order 202677902/1: Opal Design II engine right

No. of BiSens Agido-3V : 1 Piece 154,00

value of goods	discount amount / %	net
----------------	---------------------	-----

379,00	151,60 / 40,00	227,40
--------	----------------	--------

3	2,00	1950	Tempura
---	------	------	---------

Execution : Tempura 1,5 KW

Anticipated delivery : 04.07.2022

Product use : private house

Utilisation : for type Opal

width : 50 cm 521,00

operation : Standard hard wired - no remote control

access : Hirschmann plug (standard)

Basic colour : WT029/10797 Approx. RAL 9010

:

weight : 2 kg

value of goods	discount amount / %	net
----------------	---------------------	-----

1.042,00	416,80 / 40,00	625,20
----------	----------------	--------

weinor Ltd
73 Cornhill
GB-EC3V 3QQ London
weinor.com

Managing Director:
Thilo Weiermann
General partner:
Weinor Beteiligungs-GmbH
Köln

VAT no.: 335 2381 16
Company no.: 12193066
UTR no.: 33431 24084
EORI no.: GB335238116000

Domestic transfers:
Commerzbank London
Sort Code: 406201
Account Number: 307 537 10

International transfers:
Commerzbank London
IBAN: GB51 COBA 4062 0130 7537 10
Swift: MIDLGB22 a/c COBAGB2X

weinor Ltd 73 Cornhill EC3V 3QQ London

customer: 165708 sales order 202677902

Page 5 of 6

pos	quantity	article code
-----	----------	--------------

999	1,00	127887-0000 net material cost surcharge
-----	------	---

price per unit	: 44	44,00
----------------	------	-------

Pos 1 - Opal Design II - 44,00 GBP		44,00
------------------------------------	--	-------

value of goods	discount amount / %	net
44,00	0,00 / 0,00	44,00

value of goods	discount amount	net	VAT (0 %)	Total GBP
4.941,95	1.959,18	2.982,77	0,00	2.982,77

weinor Ltd
73 Cornhill
GB-EC3V 3QQ London
weinor.com

Managing Director:
Thilo Weiermann
General partner:
Weinor Beteiligungs-GmbH
Köln

VAT no.: 335 2381 16
Company no.: 12193066
UTR no.: 33431 24084
EORI no.: GB335238116000

Domestic transfers:
Commerzbank London
Sort Code: 406201
Account Number: 307 537 10

International transfers:
Commerzbank London
IBAN: GB51 COBA 4062 0130 7537 10
Swift: MIDLGB22 a/c COBAGB2X

Our spoken and written advice focuses on an explanation of the best possible use of our products and services. It does not liberate you from the obligation to check fitness of our products and services for your particular purpose. That includes the inspection of the general condition and especially maximum capacity load of fixing base as well as forwarding all respective information in addition to your order to weinor. That way delivery of the correct type and number of brackets is guaranteed. If our product can not be used as upon agreement due to false or lacking information we or any auxiliary person do accept contractual or non-contractual liabilities only in case of malicious intent or gross negligence.

In order to mount all brackets corresponding their fixing base you will need suitable mounting systems. For mounting on concrete C20/25 we recommend heavy duty anchor-systems from fischer (e.g. FAZ II M12/10 GS or FAZ II M12/30 GS). In case of mounting on any other base referred to in our pricelist or on frontal concrete ceiling we recommend the use of injection systems from fischer (e.g. FIS V 360 S). You can order them directly from us.

If you use a different mounting system or your own brackets, you will need a table of pull-out resistance of screw anchors in order to determine the working load.

This order confirmation is according to the current terms of payment and delivery.

<https://www.weinor.com/agb/>

delivery exw Cologne
payment: With direct debit 5% discount payment
mode of dispatch UK export