

weinor Ltd 73 Cornhill EC3V 3QQ London

C P Interiors

**Rue Des Pres Trading Estate
GB-JE2 7QN St Saviour Jersey**

delivery address

DSV Road Ltd

10 Brunel Way, Segensworth Industrial Estate
GB-PO15 5TX Hampshire, Fareham

ORDER CONFIRMATION (release 3)

sales order no.:	202674719 of 11.05.2022
customer:	165708
reference:	Gilley SO13091
Your order no.:	SO13091
contact person:	William Abbott
E-Mail	WAbbott@weinor.de
phone number:	+49-221-59709-472
representat.	654 Chris Spickett
tel (representat.):	0044 (0) 7894443907

Dear Weinor Partner,

with immediate effect our new bank account for the weinor Ltd. is active and can be used !

We kindly ask you to send and place all payment in the favour of weinor Ltd. to the following Bank Details.

Commerzbank London
Sort Code: 406201
Account Number: 307 537 10
In favour of : Weinor Ltd.

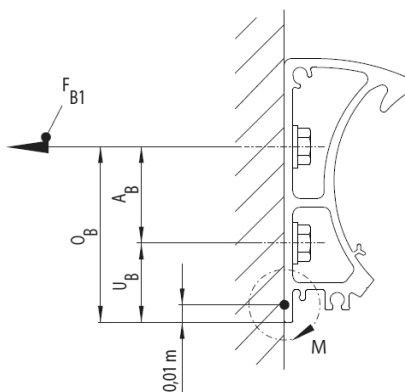
Thank you very much for your support.

weinor Ltd 73 Cornhill EC3V 3QQ London

pos	quantity	article code
-----	----------	--------------

New order confirmatyion:
changed to IO SOMfy+ handset and fabrc to 6-417

1	1,00	1303	Cassita II		
	Anticipated delivery	:	01.08.2022		
	Product use	:	private house		
	width [cm]	:	380	cm	
	Projection [cm]	:	300	cm	2.396,00
	Basic colour	:	WT029/80077 Approx. DB 703 Metallic		
	no. of arms	:	2	Piece	
	insulation [mm]	:	0	mm	
	bracket type 1	:	wall fixing		
	number of brackets 1	:	2	Piece	54,00



Force 1 means the pull-out force per upper fastener F(B).

FB1 Force 1 per fixing point	:	2447	N
M = Torque per folding arm	:	441	Nm

Please note that your selected awning configuration results in the following forces per upper fixing point (pull-out, lateral and/or shear forces). These must be accounted for by using suitable fixings.

bracket position left [mm]	:	90	mm
----------------------------	---	----	----

weinor Ltd
73 Cornhill
GB-EC3V 3QQ London
weinor.com

Managing Director:
Thilo Weiermann
General partner:
Weinor Beteiligungs-GmbH
Köln

VAT no.: 335 2381 16
Company no.: 12193066
UTR no.: 33431 24084
EORI no.: GB335238116000

Domestic transfers:
Commerzbank London
Sort Code: 406201
Account Number: 307 537 10

International transfers:
Commerzbank London
IBAN: GB51 COBA 4062 0130 7537 10
Swift: MIDLGB22 a/c COBAGB2X

weinor Ltd 73 Cornhill EC3V 3QQ London

customer: 165708 sales order 202674719

Page 3 of 4

pos	quantity	article code
-----	----------	--------------

bracket position right [mm]	: 90	mm	
arm position left	: 58	mm	
arm position right	: 58	mm	
type of control	: Remote-controlled motor IO Homecontrol		123,00
Side of control (seen from the front)	: right		
Hirschmann plug?	: without Hirschmann plug		
control	: hand transmitter Situo 1 io Pure II		92,00
Type of engine	: Motor Sfy Sunea50 io 40/17 ohne Zubehör		
real-design	: WE6-417	weitex classic my collections	
colour of thread Saba	: RAL 7001 Silver grey		
Cardboard container	: edges reinforcement		
weight	: 49	kg	

value of goods	discount amount / %	net
2.665,00	1.066,00 / 40,00	1.599,00

999 1,00 127887-0000 net material cost surcharge

price per unit	: 30,4	30,40
Pos 1 - Cassita II - 30,40 GBP		30,40

value of goods	discount amount / %	net
30,40	0,00 / 0,00	30,40

weinor Ltd
73 Cornhill
GB-EC3V 3QQ London
weinor.com

Managing Director:
Thilo Weiermann
General partner:
Weinor Beteiligungs-GmbH
Köln

VAT no.: 335 2381 16
Company no.: 12193066
UTR no.: 33431 24084
EORI no.: GB335238116000

Domestic transfers:
Commerzbank London
Sort Code: 406201
Account Number: 307 537 10

International transfers:
Commerzbank London
IBAN: GB51 COBA 4062 0130 7537 10
Swift: MIDLGB22 a/c COBAGB2X

pos	quantity	article code
-----	----------	--------------

value of goods	discount amount	net	VAT (0 %)	Total GBP
2.695,40	1.066,00	1.629,40	0,00	1.629,40

Our spoken and written advice focuses on an explanation of the best possible use of our products and services. It does not liberate you from the obligation to check fitness of our products and services for your particular purpose. That includes the inspection of the general condition and especially maximum capacity load of fixing base as well as forwarding all respective information in addition to your order to weinor. That way delivery of the correct type and number of brackets is guaranteed. If our product can not be used as upon agreement due to false or lacking information we or any auxiliary person do accept contractual or non-contractual liabilities only in case of malicious intent or gross negligence.

In order to mount all brackets corresponding their fixing base you will need suitable mounting systems. For mounting on concrete C20/25 we recommend heavy duty anchor-systems from fischer (e.g. FAZ II M12/10 GS or FAZ II M12/30 GS). In case of mounting on any other base referred to in our pricelist or on frontal concrete ceiling we recommend the use of injection systems from fischer (e.g. FIS V 360 S). You can order them directly from us.

If you use a different mounting system or your own brackets, you will need a table of pull-out resistance of screw anchors in order to determine the working load.

This order confirmation is according to the current terms of payment and delivery.

<https://www.weinor.com/agb/>

delivery exw Cologne
 payment: With direct debit 5% discount payment
 mode of dispatch UK export