

Off Name Adrian

Work Diary

Customer Ref

Date 02-02-2022 Time 08:00

Order No SOT2861
 Measurer Mr & Mrs Rob & Emily Stewart, 2 Jardin De La Cachette, Ruelle Du Marais, St Peter, JE3 7BU, 07829783147, emilybstewart@hotmail.com

Notes : 0 New Property - The Rosary, Hansford Lane, St Heller, JE2 3JL
 Mr Rob Stewart .. just purchased this property .. would like a quote for some sail shade blinds .. !
 have emailed you the conservatory dims he has sent

Location	Supplier	Blind Type /Description	Colour	Qty	Width	Drop	Fitting Height	Blind/Recess	Controls	Brackets	Surface	Unit Price
Conservatory Top	Polers	Li-ion Battery	TBA	1	825 925	1446		R/S				
1st flr	RS SURRAY	for	Ⓢ	1	925	2116						
	1st Floor	Quote		1	430	1440						
	FASCIS			1	1710	1440						
				1	1740	1440						
				1	1700	1440						
				1	1810	1440						
				1	885	1440						
	TEUS 45						AM	Reverne	Roll			
	Hand held											
1st flr	Roller & Down			1	1805	1020		Ree				
	RS L-16A											
	TEUS 1											
	MAN											
Conservatory	Roller	ON	Roller	2								

Comments: Order Date

Customer Signature
 X I have checked and agree with the above choices
 Target Fitting Date

Staff Name Adrian

Work Diary

Customer Ref

Date 02-02-2022

Time 08:00

Order No S012861

Measurer or Fitter Measurer

Contact Address Mr & Mrs. Rob & Emily Stewart, 2 Jardin De La Cachette, Ruelle Du Marais, St Peter, JE3 7BU, 07829783147, emilybstewart@hotmail.com

Notes : 0 New Property - The Rosary, Hansford Lane, St Heller, JE2 3JL
 Mr Rob Stewart .. just purchased this property .. would like a quote for some sail shade blinds ... ! have emailed you the conservatory dims he has sent

Location	Supplier	Blind Type /Description	Colour	Qty	Width	Drop	Fitting Height	Blind/Recess	Controls	Brackets	Surface	Unit Price
Conservatory Top		Rollers	TSA	1	825	1446		R/S				
Roller		Li-ion Battery	Ⓢ	1	925	2110						
		RAS SURRA	for	1	925	2110						
		+ Flown	Quote	1	430	1440						
		FASCIS		1	1410	1440						
				1	1260	1440						
				1	1700	1440						
				1	1810	1440						
				1	885	1440						
		TEUS 45							AM	Reverse	Roll	
		Hand held										
Roller		Roller of Flown		1	1805	1020		Rec				
		RAS L-16A										
		TRUIT 1										
		MAN										
Conservatory		Roller	Roller	2								

Comments:

Order Date

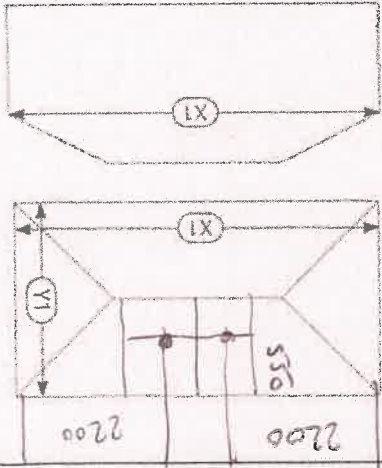
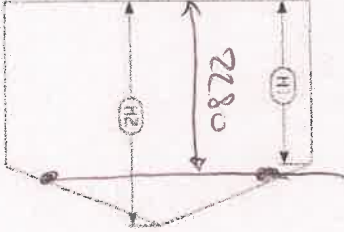
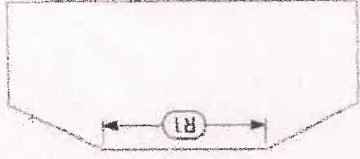
Customer Signature

X I have checked and agree with the above choices

Target Fitting Date

Georgian Double Hipped

Survey dimension sheet – all dimensions should be measured from inside. If possible measure in mm and give dimensions to the nearest 5mm. Watch the video to get tips on where to measure from.

<p>Main Plan Dimensions</p> <p>The most important dimensions are the overall length and width of the space. Measure the width (X1) from fascia to fascia and the length (Y1) from fascia to fascia.</p> <p>X1 = 5280 Y1 = 2700</p>	
<p>Heights</p> <p>In order to work out the full area of the roof we need the vertical dimension to the bottom and top of the roof. Measure H1 from the floor to the top of the fascia and H2 from the floor to the underside of the ridge.</p> <p>H1 = 2270 H2 = 2860</p>	
<p>Ridge Length</p> <p>Measure from the centre of the capping piece to the centre of the capping piece. If you have a light or fixture at either end, measure from the middle of that and be sure to include an extra photo of this.</p> <p>R1 = 2680</p>	
<p>Additional Dimensions: Use the final section to provide dimensions of any large box outs that may affect the design. If you want you can also include dimensions for opening windows, lights or fans but we will also cover this later in the process if it is required.</p>	