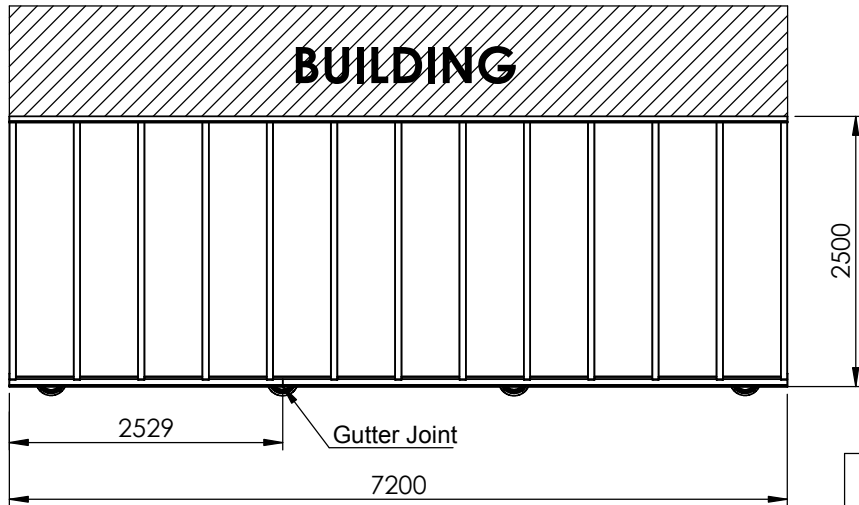
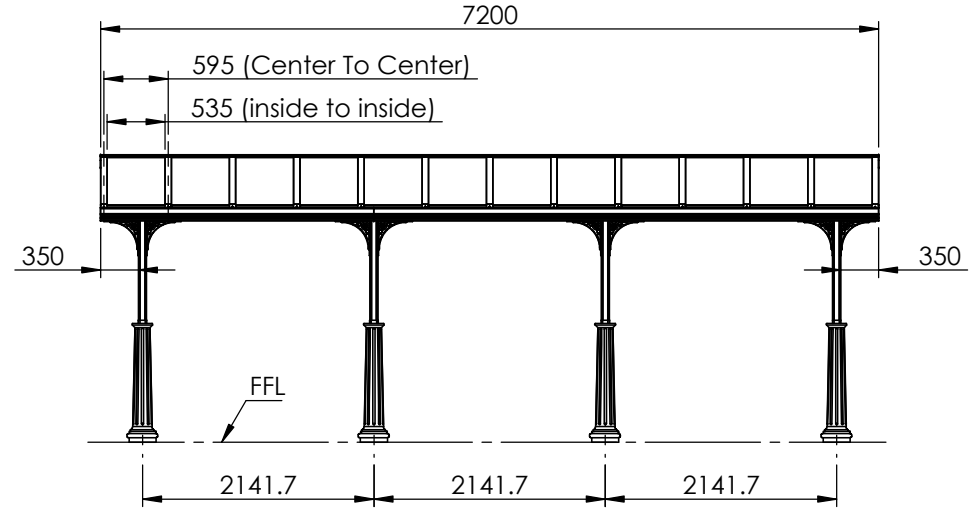
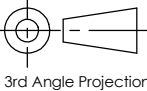


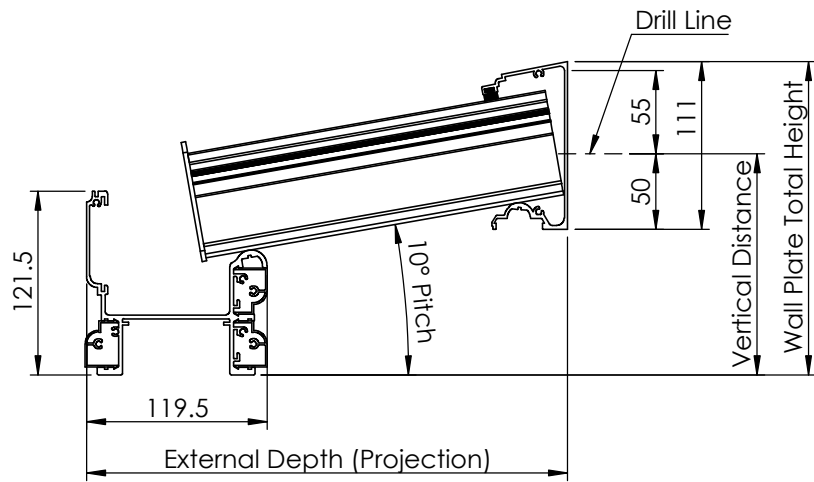
FRONT VIEW & ROOF TOP VIEW WITH BUILDING



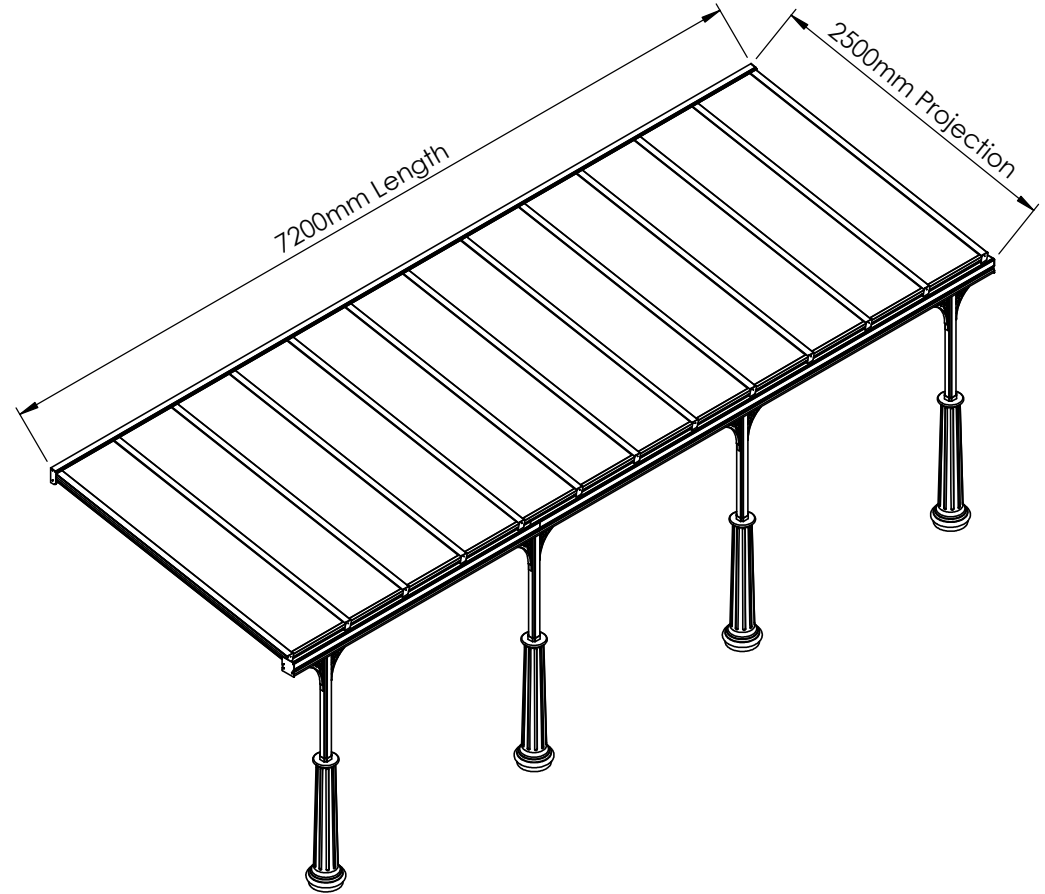
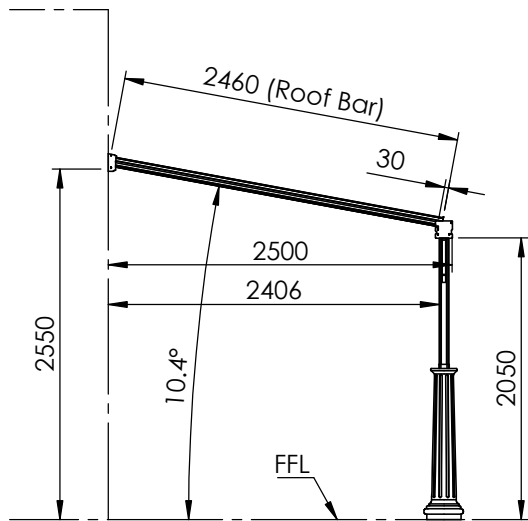
Finish : Powder coated to RAL 6011 Matt.
Glass : 6mm Clear Self Cleaning Glass Roof Panels.

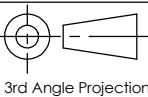
Customer Reference : Mallet	Drawing Title : CP Interiors					
	Product Name : Simplicity 6					
Customer Sign :	 3rd Angle Projection	Page 1 OF 6	Date 05/05/17	Page Size A4 (L)	Scale NTS	Drawn SHYAM
Order No. :		Finish PPC	Issuer ACS	(Tol) +/- 1 mm	Sequence 000001	Revision v1.2

CROSS SECTION VIEW & ISOMETRIC VIEW

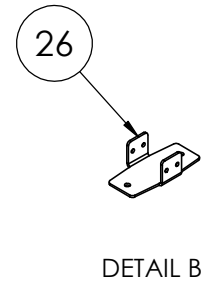
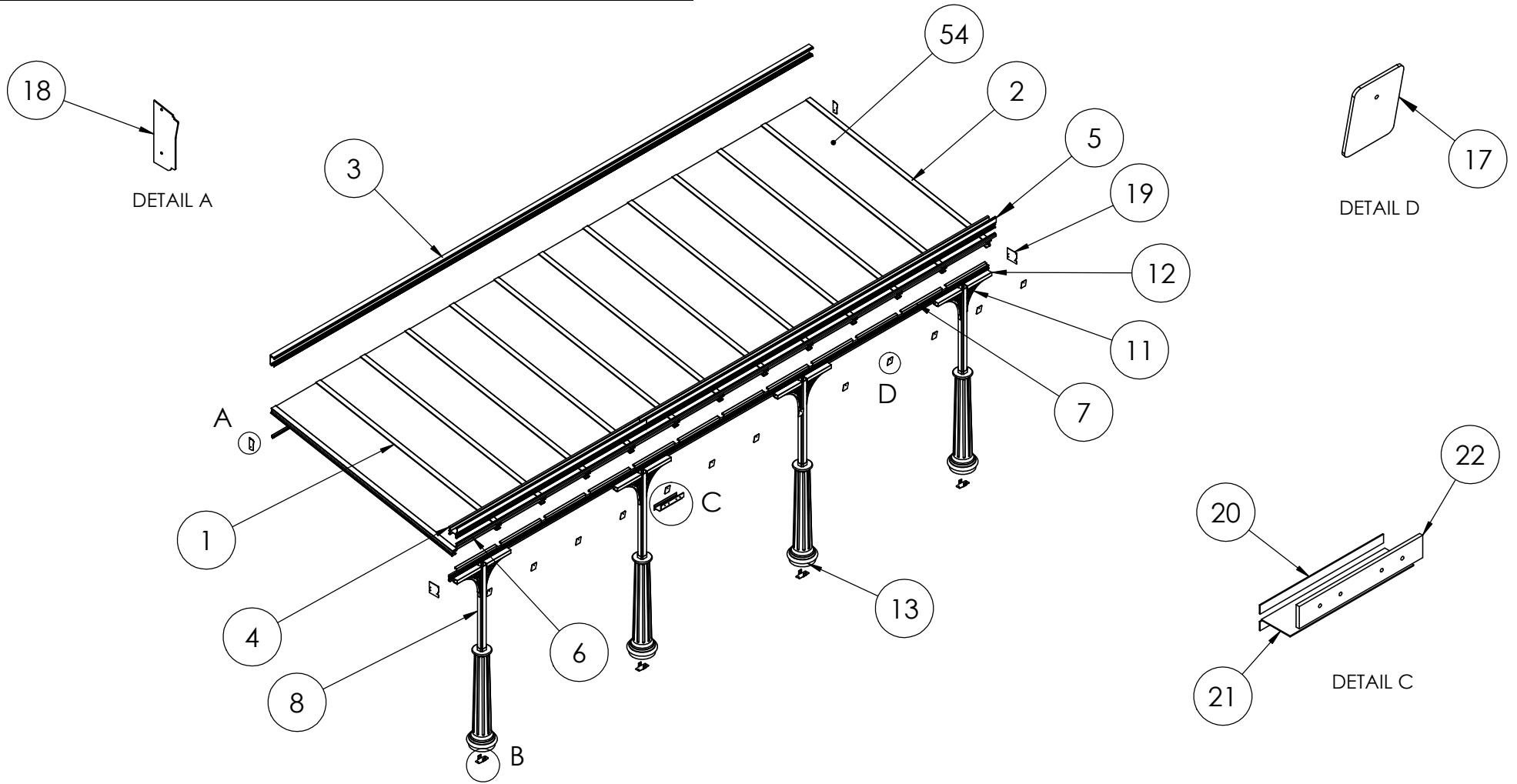


Example distance to appropriate drill hole on wall plate 10 degree roof pitch.



Customer Reference : Mallet	Drawing Title : CP Interiors					
Customer Sign :	Product Name : Simplicity 6					
Order No. :	 3rd Angle Projection	Page 2 OF 6	Date 05/05/17	Page Size A4 (L)	Scale NTS	Drawn SHYAM
	Finish PPC	Issuer ACS	(Tol) +/- 1 mm	Sequence 000001	Revision v1.2	

EXPLODED VIEW OF CANOPY SHOWING PARTS REQUIRED



DETAIL A

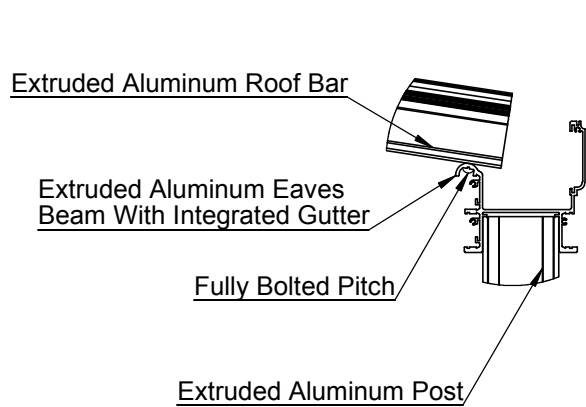
DETAIL D

DETAIL C

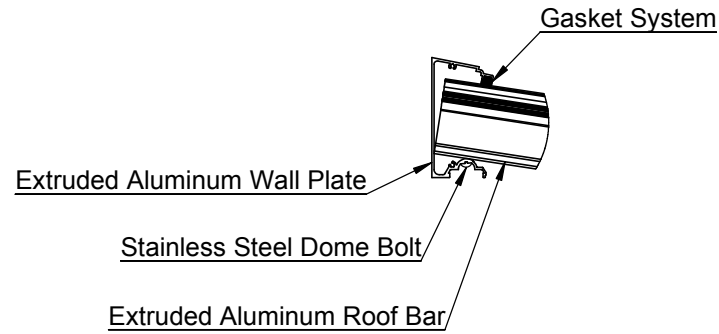
Customer Reference : Mallet	Drawing Title : CP Interiors					
Customer Sign :	Product Name : Simplicity 6					
Order No. :	3rd Angle Projection	Page 3 OF 6	Date 05/05/17	Page Size A4 (L)	Scale NTS	Drawn SHYAM
	Finish PPC	Issuer ACS	(Tol) +/- 1 mm	Sequence 000001	Revision v1.2	

PRODUCT DETAIL

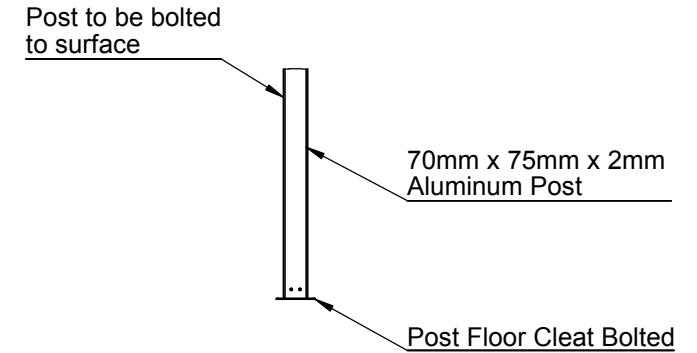
Eaves Beam Roof Bar & Post Section



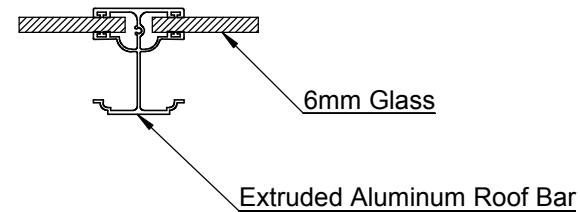
Wall Plate & Roof Bar Section

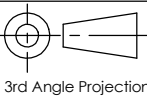


Base & Post Connection Information



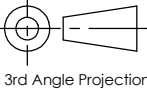
Roof Bar & Sheet Section



Customer Reference : Mallet	Drawing Title : CP Interiors					
Customer Sign :	Product Name : Simplicity 6					
Order No. :	 3rd Angle Projection	Page 4 OF 6	Date 05/05/17	Page Size A4 (L)	Scale NTS	Drawn SHYAM
	Finish PPC	Issuer ACS	(Tol) +/- 1 mm	Sequence 000001	Revision v1.2	

CUTTING & PICKING LIST OF COMPONENTS REQUIRED

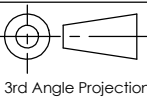
ITEM NO.	CUTTING LIST				Cut	Checked	Delivered
	PRODUCT CODE	DESCRIPTION	QTY.	LENGTH			
1	MW/GLGB/001	Glazing Bar	11	2460mm			
2	MW/GLEB	End Glazing Bar 6m	2	2460mm			
3	MW/WPVERA/001	Wall Plate Veranda	1	7200mm			
4	MW/GUTT/VERANDA	Gutter For Veranda	1	2529mm			
5	MW/GUTT/VERANDA	Gutter For Veranda	1	4671mm			
6	MW/GUTT/TRIM	Gutter Trim	4	7200mm			
7	MW/FSEC/GLASS	F Section 6mm	12	535mm			
8	MW/POST/002/6M	Post 6m	4	3000mm			
9	MW/DNPI/001	Downpipe Square White	0				
10	MW/BLACK DOWNPIPE	Downpipe Square BLACK	0				
11	MW/CAST/002	Gallows Brackets	8				
12	MW/GUCH/001	Gutter Support Channel	8	320mm			
13	MW/VIC/CASTING	Victorian Upgrade Base Castings	4				
14	MW/AFLC/001	Light Channel	0				
15	MW/AFL/001	Lens For Light Channel	0				
PICKING LIST					Packed	Checked	Delivered
16	MW/AFEL/001	Light Channel End Plate	0				
17	MW/BEPL/001	Bar End Plates	13				
18	MW/WPEP/VERA	Wall Plate End Plate Veranda	2				
19	MW/GEPL/002	Gutter End plate 6	2				
20	MW/EAJA/010	18mm x 300mm Joiner	2	300mm			
21	MW/EAJA/008	70 x 300 Eaves Joiner 3	1	300mm			
22	MW/EAJA/011	61.5mm x 300mm Joiner	1	300mm			
23	MW/EXJN/001	Outside Face Gutter Joiner	0				
24	MW/EXJN/002	Inside Face Gutter Joiner	0				
25	MW/PSFT/002	Post floor cleat (IN GROUND)	0				
26	MW/PSFT/001	Post Floor Cleat bolted to the ground	4				
27	MW/Downpipe Shoes WHITE	Down Pipe Shoes White	0				
28	MW/DNAS/001	Down Pipe bends White	0				

Delivery Date :	Warehouse	Customer Reference : Mallett	Drawing Title : CP Interiors					
			Product Name : Simplicity 6					
Colour & Finish of Canopy : Gloss Matt Semi-Gloss	Checked By :	Customer Sign :	 3rd Angle Projection	Page 5 OF 6	Date 05/05/17	Page Size A4 (L)	Scale NTS	Drawn SHYAM
RAL Code : RAL 6011 Matt		Order No. :	Finish PPC	Issuer ACS	(Tol) +/- 1 mm	Sequence 000001	Revision v1.2	

CUTTING & PICKING LIST OF COMPONENTS REQUIRED

29	MW/SFPC/WHITE	Single Fix Plastic Down Pipe Clip White	0			
30	MW/Downpipe Shoes BLACK	Downpipe Shoes Black	0			
31	MW/DOWPIPE BEND BLACK	Down Pipe bends BLACK	0			
32	MW/SFPC/BLACK	Single Fix Plastic Down Pipe Clip Black	0			
33	MW/SFLX/001	Sikaflex	1			
34	MW/SILC/001	Soudal Clear Silicon	1			
35	MW/FASTENER06	M6 x 16 Pan Pozi Bolt	63			
36	MW/FASTENER03	No8 x 5/8 Pan Pozi Self Tapping Screw	24			
37	MW/FASTENER04	No12 x 1"1/4 Hexagon Self Drill Screw	96			
38	MW/FASTENER13	No10 x 25mm Hex Head Srcrew	16			
39	MW/FASTENER05	M6 Nyloc Nut	73			
40	MW/FASTENER	M6 X 20mm Hex Head Bolt	10			
41	MW/M6 PLASTIC CAP WHITE	M6 Doomed Cap White	0			
42	MW/M6 PLASTIC CAP BLACK	M6 Doomed Cap Black	10			
43	MW/ PLASTIC CAP WH	M5 Doomed Nut Cover Caps WHITE	0			
44	MW/ PLASTIC CAP BLK	M5 Doomed Nut Cover Caps BLACK	112			
45	MW/SPRAYCAN	Aerosol Can	1			
46	MW/LEAD FLASHING	Lead Flashing	0			
47	MW/6" SLEEVE	Protective Sleeve	1	5200mm		
48	MW/8" SLEEVE	Protective Sleeve	1	1500mm		
49	MW/WPGS/GL	Wall Plate Gasket	1	7200mm		
50	MW/GBGK/003	Glass Bar Top Gasket	26	2460mm		
51	MW/GLGK/002	Glass Bar Bottom Gasket	26	2460mm		
52		Cutting List		2		
53		Simplicity 6 Installation Guide		1		
54	MW/GLASS/SC	6mm Clear Self Cleaning Glass	12	Length-2460mm & Width-575mm		
Drivers/Receivers Signature			Date			

Please Note: you are signing to say that all goods have been received in good condition and the quantities on this cutting list are correct. Milwood will not accept any liability unless damaged or lost items are reported within 48 hours.

Warehouse	Customer Reference :	Drawing Title :				
	Mallet	CP Interiors				
Checked By :	Customer Sign :	Product Name :				
	Order No. :	 <small>3rd Angle Projection</small>	Page	Date	Page Size	Scale
			6 OF 6	05/05/17	A4 (L)	NTS
Finish	Issuer	(Tol) +/- 1 mm	Sequence	Revision		
PPC	ACS		000001	v1.2		