



Creating healthy spaces

NV RENSON • Sunprotection-Screens SA

## Quotation

<b>Quotation date</b>	23.03.2022	CP Interiors
<b>Quotation number</b>	20035615	St. Saviour
<b>Customer number</b>	1001334	28 Rue des Pres. Tr. Est.
<b>Your VAT number</b>		JE2 7QN JERSEY
<b>Currency</b>	GBP	JERSEY
<b>Project reference</b>	MCLATCHIE SO12749	
<b>Order reference</b>	SO12749_COPY MCLATCHIE_FINA	
<b>Validity from-to</b>	23.03.2022 - 22.04.2022	

<b>Incoterms</b>	DAP Jersey
------------------	---------------

**Delivery address**  
CP Interiors  
St. Saviour  
28 Rue des Pres. Tr. Est.  
JE2 7QN JERSEY  
JERSEY

## Overview

Material	Quantity	Net amount	VAT %
001000 CAM2 CAMARGUE	1,00 PC	19.610,09	
904000 1000009 Special product configuration fee	1,00 PC	314,00	

<b>Total before VAT</b>	<b>19.924,09</b>
<b>VAT</b>	<b>0,00</b>
<b>Total incl. VAT</b>	<b>19.924,09</b>

Free of VAT, export

### PAYMENT INFORMATION

Payment term 30 days end of month

The General Terms and Conditions of Sale are integral part of our agreement. See Professional Portal at <http://www.renson.eu/>

NV RENSON • Sunprotection-Screens SA • IZ 1 Flanders Fields • Kalkhoevestraat 45 • B-8790 Waregem

+3256627111 • info@renson.eu • www.renson.eu

VAT BE 0432.549.526 • RPR Gent, afdeling Kortrijk • ING BELGIË IBAN BE08 3850 3006 5013 - BIC BBRUBEBB

1/5



Creating healthy spaces

NV RENSON ® Sunprotection-Screens SA

## Quotation

20035615

23.03.2022

---

For questions or remarks regarding this document, please send an email to [george.bishar@renson.be](mailto:george.bishar@renson.be)

The General Terms and Conditions of Sale are integral part of our agreement. See Professional Portal at <http://www.renson.eu/>

**NV RENSON ® Sunprotection-Screens SA** • IZ 1 Flanders Fields • Kalkhoevestraat 45 • B-8790 Waregem  
+3256627111 • [info@renson.eu](mailto:info@renson.eu) • [www.renson.eu](http://www.renson.eu)

VAT BE 0432.549.526 • RPR Gent, afdeling Kortrijk • ING BELGIË IBAN BE08 3850 3006 5013 - BIC BBRUBEBB

## Quotation

20035615

23.03.2022

### Detail

Item	Material	Unit price	Quantity	Gross amount	Discount %	Net amount
001000	CAM2 CAMARGUE		1,00 PC	32.683,50		19.610,09
	Commodity code	94069090	Prefabricated aluminum buildings, sun protection structures			
	Camargue	13.627,18 GBP /	1 PC x 1,00	13.627,18		
	Camargue Line column	500,31 GBP /	1 PC x 5,00	2.501,55		
	Camargue Line reinforced mounting base	189,66 GBP /	1 PC x 3,00	568,98		
				<b>16.697,71</b>	<b>40</b>	<b>10.018,63</b>
	Integrated Fixscreen	1.381,03 GBP /	1 PC x 1,00	1.381,03		
	Integrated Fixscreen	1.581,59 GBP /	1 PC x 1,00	1.581,59		
	Integrated Fixscreen	2.583,30 GBP /	1 PC x 2,00	5.166,60		
				<b>8.129,22</b>	<b>40</b>	<b>4.877,53</b>
	3 Lineo Led	2.508,09 GBP /	1 PC x 1,00	2.508,09		
				<b>2.508,09</b>	<b>40</b>	<b>1.504,85</b>
	UpDown Led : 2x Up RGB + Down White	3.549,04 GBP /	1 PC x 1,00	3.549,04		
				<b>3.549,04</b>	<b>40</b>	<b>2.129,42</b>
	Protecto	1.339,61 GBP /	1 PC x 1,00	1.339,61		
	Rain sensor	226,10 GBP /	1 PC x 1,00	226,10		
	Telis 16 RTS Pure - 16-channel transmitter	233,73 GBP /	1 PC x 1,00	233,73		
				<b>1.799,44</b>	<b>40</b>	<b>1.079,66</b>
				<b>15.985,79</b>		<b>9.591,46</b>

### Configuration

#### Structure

##### Type

#### Structure

Single

#### Location

##### Location

Normal wind loads (standard)

##### Structure strength

Standard

#### Construction

##### Type

#### Roof part

Roof part 1

#### Dimensions

##### Span

3.500 mm ✓

##### Pivot

5.000 mm ✓

##### Passage height

2.400 mm ✓

#### Construction method

##### Span 1

Freestanding ✓

##### Span 2

Full wall ✓

##### Pivot 1

Freestanding ✓

##### Pivot 2

Freestanding ✓

#### Columns

##### Column type 1A

Corner column

##### Overlength 1A

915- mm

##### Column type 1B

Corner column

##### Column type 2A

Corner column

##### Overlength 2A

915- mm

##### Column type 2B

Corner column

#### Intermediate columns

##### Intermediate column S1

Yes

## Quotation

20035615

23.03.2022

Position intermed. column S1	1.200 mm
<b>Design Styles (TL)</b>	
<b>Design Styles (SL)</b>	
Design Style	No
<b>Side infills</b>	
<b>Span 1 (S1)</b>	
Infill S1 - left	Fixscreen
Crystal band S1 left	No
Infill S1 - right	Fixscreen
Crystal band S1 right	No
<b>Pivot 1 (P1)</b>	
Infill P1	Fixscreen
<b>Pivot 2 (P2)</b>	
Infill P2	Fixscreen
<b>Comfort</b>	
<b>Lighting</b>	
Number of Lineo LED	3
Color Lineo LED	Warm white
Position UpDown led	Pivot 1 + 2
Color led 'UP'	RGB
Color led 'DOWN'	Warm white
<b>Comfort &amp; Design</b>	
Protecto on roof part 1	Yes
Protecto side	P1 & P2
<b>Automation</b>	
Country of installation	United Kingdom
Motor control	Somfy RTS
Transmitter	Teils 16 RTS Pure white
Rain sensor	Ceramic rain sensor
Voltage motor	230V
Electrical certification	CE (Standard)
<b>Styling</b>	
<b>Colors</b>	
Color type frame and columns	Textured
Color code frame and columns	029/10674-TIGER BEL9010 FINE TEXTURE
Color type of blades	Same color as framework
Color blades	029/10674-TIGER BEL9010 FINE TEXTURE
<b>Type of fabrics</b>	
Type of fabric Fixscreen	Fibreglass fabric Sergé
Fabric code Fixscreen	FG-SC0207 WHITE-PEARL
Confection side	Confection side 1
<b>Technical specs</b>	
<b>General</b>	
Motor position	Pivot 2 (P2)
Blade rotation	Sunprotection
<b>Columns</b>	
Mounting base 1A	Invisible
Mounting holes in the col. 1A	Yes
Direction of water drainage 1A	Pivot
Height water drainage 1A	66 mm
Mounting base 1B	Invisible reinforced
Mounting holes in the col. 1B	Yes
Water drainage direction 1B	Pivot
Height water drainage 1B	66 mm/ 2.60" + overlength

## Quotation

20035615

23.03.2022

Mounting base 2A	Invisible
Mounting holes in the col. 2A	Yes
Mounting base 2B	Invisible reinforced
Mounting holes in the col. 2B	Yes
Water drainage direction 2B	Pivot
Height water drainage 2B	66 mm/ 2.60" + overlength
<b>Intermediate columns</b>	
Mounting base intern. col. S1	Invisible reinforced
Mounting holes intern. col. S1	With mounting holes

904000 1000009 314,00 GBP / 1 PC 1,00 PC 314,00 314,00

Special product configuration fee

Reduce the length of legs 1A and 2A by about 915mm to fit legs on top of an existing wall. Likewise screen on P1 will also only be half height.

Cost of sliding guide package added

We do NOT want any drainage at column 2A (half and full post) 2B is now ok.

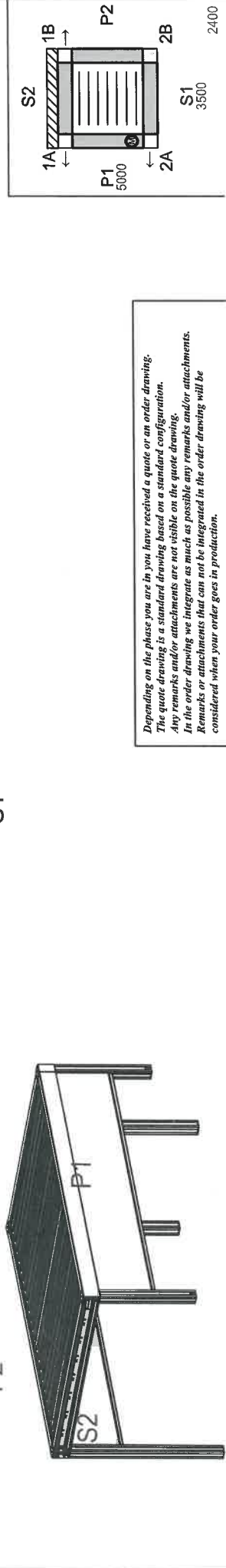
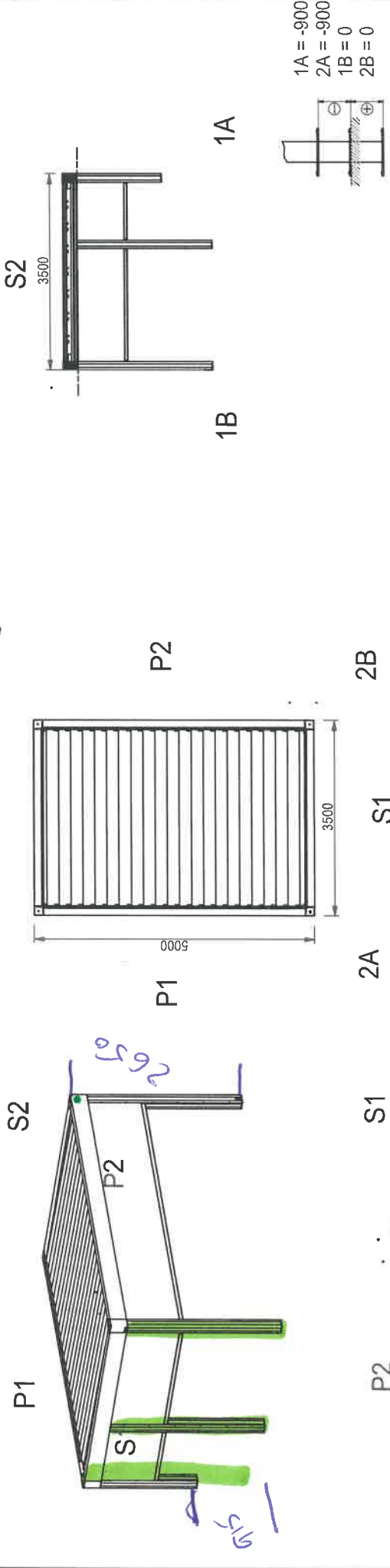
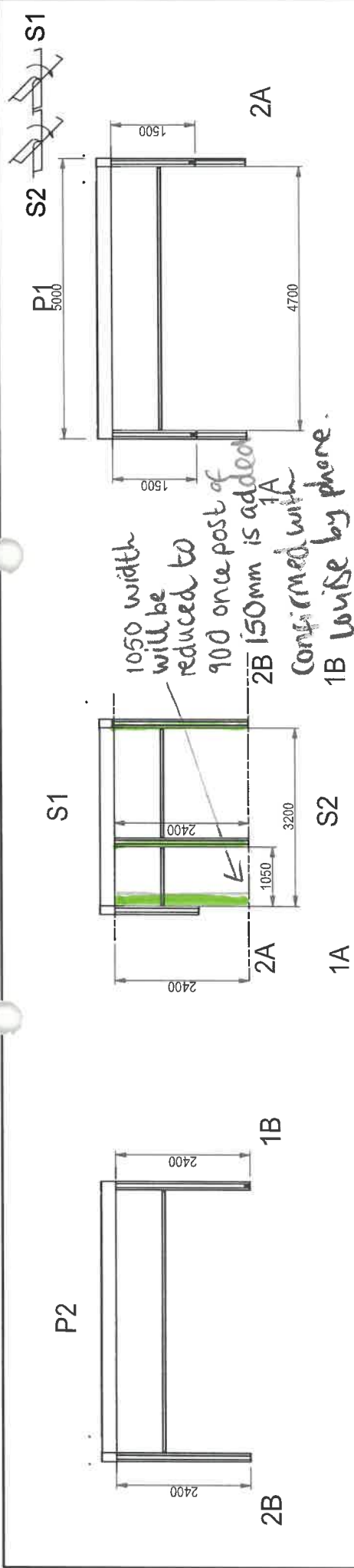
There will be 2 screens on side S1, 1 full screen on side P2, 1 half drop screen on side P1, nothing on side S2.

Motor on 1B









Depending on the phase you are in you have received a quote or an order drawing.  
 The quote drawing is a standard drawing based on a standard configuration.  
 Any remarks and/or attachments are not visible on the quote drawing.  
 In the order drawing we integrate as much as possible any remarks and/or attachments.  
 Remarks or attachments that can not be integrated in the order drawing will be considered when your order goes in production.

<b>RENSON</b> Creating healthy spaces		Client Reference : Orderline ref. : 20031300001000.73887 Client :
www.renson.nl - P.O. Box 10000, 3720 BA Soest, The Netherlands <small>This drawing is the property of Renson and must not be copied or shown to third parties without written permission.</small>	Sheet : 1 / 1 Scale : 1 : 60 Drawn : AutoH000	Creation date : 18/02/2022 - 09:41:07 Color : Size : A3 Units in mm





