

weinor Ltd 73 Cornhill EC3V 3QQ London

C P Interiors

**Rue Des Pres Trading Estate
GB-JE2 7QN St Saviour Jersey**

delivery address

DSV Road Ltd

10 Brunel Way, Segensworth Industrial Estate
GB-PO15 5TX Hampshire, Fareham

ORDER CONFIRMATION (release 1)

sales order no.:	202696452 of 25.07.2022
customer:	165708
reference:	Kings Bar SO12690
Your order no.:	SO12690
contact person:	William Abbott
E-Mail	WAbbott@weinor.de
phone number:	+49-221-59709-472
representat.	654 Chris Spickett
tel (representat.):	0044 (0) 7894443907

Dear Weinor Partner,

with immediate effect our new bank account for the weinor Ltd. is active and can be used !

We kindly ask you to send and place all payment in the favour of weinor Ltd. to the following Bank Details.

Commerzbank London
Sort Code: 406201
Account Number: 307 537 10
In favour of : Weinor Ltd.

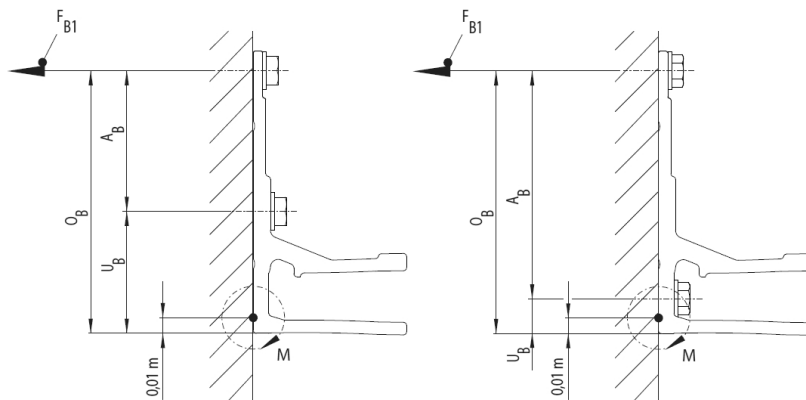
Thank you very much for your support.

weinor Ltd 73 Cornhill EC3V 3QQ London

pos	quantity	article code
-----	----------	--------------

1	1,00	1410	Topas with hood
---	------	------	-----------------

Anticipated delivery	: 05.09.2022		
Product use	: private house		
width [cm]	: 535	cm	
Projection [cm]	: 150	cm	1.965,00
Basic colour	: WT029/71289 Approx. RAL 7016 Metallic		
no. of arms	: 2	Piece	
insulation [mm]	: 0	mm	
bracket type 1	: wall bracket 85 mm compl.		
number of brackets 1	: 3	Piece	66,00



Force 1 means the pull-out force per upper fastener F(B).

Force 1 means the pull-out force 1 per upper fastener F(B1) when using the upper and lower fastening points.

Force 2 means the pull-out force 2 per upper fastener F(B2) when using the upper and middle fastening points.

FB1 Force 1 per fixing point	: 1176	N
------------------------------	--------	---

M = Torque per folding arm	: 186	Nm
----------------------------	-------	----

Please note that your selected awning configuration results in the following forces per upper fixing point (pull-out, lateral and/or shear forces). These must be accounted for by using suitable fixings.

weinor Ltd
73 Cornhill
GB-EC3V 3QQ London
weinor.com

Managing Director:
Thilo Weiermann
General partner:
Weinor Beteiligungs-GmbH
Köln

VAT no.: 335 2381 16
Company no.: 12193066
UTR no.: 33431 24084
EORI no.: GB335238116000

Domestic transfers:
Commerzbank London
Sort Code: 406201
Account Number: 307 537 10

International transfers:
Commerzbank London
IBAN: GB51 COBA 4062 0130 7537 10
Swift: MIDLGB22 a/c COBAGB2X

weinor Ltd 73 Cornhill EC3V 3QQ London

customer: 165708 sales order 202696452

Page 3 of 5

pos	quantity	article code
-----	----------	--------------

Bracket position KS 1 left [mm]	: 445	mm	
bracket position KS 1 right [mm]	: 445	mm	
bracket position KS 3 [mm]	: 2530	mm	
arm position A1 left	: 535	mm	
arm position A1 right	: 535	mm	
type of control	: crank		-258,00
type of gear	: gear	Freilaufgetriebe 4.4 zu 1 + Metallscheibe	
Side of control (seen from the front)	: left		
gear outlet	: S	standard (angled 14° forwards)	
length of handle	: 160	cm	
real-design	: DIU391	switch océan	184,58
Glue fabric?	: no, sewn fabric		
colour of thread Saba	: dark grey		
valance model	: with valance		
shape	: straight		
valance pattern repeat	: standard	0	
depth of valance [cm]	: 20	cm	
binding tape standard	: matching		
colour of thread Saba binding tape	: 1 passend		
colour of thread Saba valance	: dark grey		
Cardboard container	: edges reinforcement		
weight	: 64	kg	

value of goods	discount amount / %	net
1.957,58	783,03 / 40,00	1.174,55

weinor Ltd
73 Cornhill
GB-EC3V 3QQ London
weinor.com

Managing Director:
Thilo Weiermann
General partner:
Weinor Beteiligungs-GmbH
Köln

VAT no.: 335 2381 16
Company no.: 12193066
UTR no.: 33431 24084
EORI no.: GB335238116000

Domestic transfers:
Commerzbank London
Sort Code: 406201
Account Number: 307 537 10

International transfers:
Commerzbank London
IBAN: GB51 COBA 4062 0130 7537 10
Swift: MIDLGB22 a/c COBAGB2X

weinor Ltd 73 Cornhill EC3V 3QQ London

customer: 165708 sales order 202696452

Page 4 of 5

pos	quantity	article code
-----	----------	--------------

999	1,00	127887-0000 net material cost surcharge
-----	------	---

price per unit : 26,75

26,75

Pos 1 - Topas with hood - 26,75 GBP

26,75

value of goods	discount amount / %	net
26,75	0,00 / 0,00	26,75

value of goods	discount amount	net	VAT (0 %)	Total GBP
1.984,33	783,03	1.201,30	0,00	1.201,30

weinor Ltd
73 Cornhill
GB-EC3V 3QQ London
weinor.com

Managing Director:
Thilo Weiermann
General partner:
Weinor Beteiligungs-GmbH
Köln

VAT no.: 335 2381 16
Company no.: 12193066
UTR no.: 33431 24084
EORI no.: GB335238116000

Domestic transfers:
Commerzbank London
Sort Code: 406201
Account Number: 307 537 10

International transfers:
Commerzbank London
IBAN: GB51 COBA 4062 0130 7537 10
Swift: MIDLGB22 a/c COBAGB2X

Our spoken and written advice focuses on an explanation of the best possible use of our products and services. It does not liberate you from the obligation to check fitness of our products and services for your particular purpose. That includes the inspection of the general condition and especially maximum capacity load of fixing base as well as forwarding all respective information in addition to your order to weinor. That way delivery of the correct type and number of brackets is guaranteed. If our product can not be used as upon agreement due to false or lacking information we or any auxiliary person do accept contractual or non-contractual liabilities only in case of malicious intent or gross negligence.

Attention! In case of missing specification regarding brackets we deliver the awning including the correspondent brackets for wall fixing on concrete C20/25 with a header cowling up to 200 mm (non pressure resistant base). Please note that those brackets are not suitable for wall fixing other than concrete C20/25.

In this case we extend the delivery period in order for you to check your specific application and if necessary hand in the required information.

In order to mount all brackets corresponding their fixing base you will need suitable mounting systems. For mounting on concrete C20/25 we recommend heavy duty anchor-systems from fischer (e.g. FAZ II M12/10 GS or FAZ II M12/30 GS). In case of mounting on any other base referred to in our pricelist or on frontal concrete ceiling we recommend the use of injection systems from fischer (e.g. FIS V 360 S). You can order them directly from us.

If you use a different mounting system or your own brackets, you will need a table of pull-out resistance of screw anchors in order to determine the working load.

This order confirmation is according to the current terms of payment and delivery.

<https://www.weinor.com/agb/>

delivery exw Cologne
payment: With direct debit 5% discount payment
mode of dispatch UK export