


Client CLARITY CARGO LTD UNIT 2A/2B RIDGEWAY DISTRIBUTION CENTRE THE RIDGEWAY IVER, SL0 9JQ		Document Title House Waybill (HWB)	Issuing Office PORTSMOUTH
		Your Reference Q220005764	Tally Number J953219
Shipper CH ROBINSON WORLDWIDE UK LTD UNITS 8-9 BLACKTHORNE CRESCENT COLNBROOK BERKSHIRE SLOUGH, SL3 0QR		Delivery TI ref 3811368	Our Reference 3PMJE902977
		Date 17-Nov-2022	
Consignee CP SUNBLINDS + CURTAINS 28 RUE DES PRES TRADING ESTATE ST. SAVIOUR JERSEY, JE2 7QN		 Ferryspeed C.I. Limited Ackworth Road Hilsea Portsmouth PO3 5JT Tel: 02392627000 Fax: 02392627150	
Container Number/Trl No.	Place of Receipt/Loading PORTSMOUTH		
Vessel	Port of Departure		
Port of Discharge	Place of Delivery JERSEY		
Date of Shipment/Arrival 17-Nov-2022	Terms CFR		

Marks & Numbers	Number & Kind of Packages	Description of Goods	Weight(Kgs)	Volume(M3)
ADDRESSED:-	2	BLINDS 2 OVERSIZED PLTS 333 X 81 X 51 = 1.36 305 X 81 X 25 = 0.67	320.00	1.960
Consignee Ref(s) : J953219 Shipper Ref(s) : Q220005764		Arrived	Value	0.00

RECEIVED
23 NOV 2022
CANNED

2 x Pallets
26 Boxes

23-11-22

SC13178 Ravenscroft
SC12620C ofillard

*** WAYBILL ***

DANGEROUS GOODS: GOODS HAVING CORROSIVE, EXPLOSIVE, FLAMMABLE POISONOUS OR OTHER HAZARDOUS CHARACTERISTICS MUST BE ACCOMPANIED BY "SHIPPERS CERTIFICATION FOR DANGEROUS GOODS" COMPLETED IN DUPLICATE

ALL GOODS CARRIED IN THE ACCORDANCE TO R.H.A. CONDITIONS OF CARRIAGE CORRECT AT THE DATE OF THIS HOUSE WAYBILL

**Sender**

CH Robinson Worldwide UK Ltd
Units 8-9 Blackthorne Crescent
Colnbrook
Berkshire SL3 0QR
United Kingdom

Delivery Note

Our Reference: 1019742
Sender Reference:
Consignee Reference:
Other Agent Reference: 24040226

Contact: Holly Willmoth
Phone: 01753683288

Consignee

C.P. Sunblinds & Curtains
28 Rue des Pres Trading Estate
St. Saviour
Jersey JE2 7QN
United Kingdom

Delivery Address

Ferryspeed Ltd
Ackworth Road
Hilsea
Portsmouth
Hampshire PO3 5JT
United Kingdom

Contact: Emanuele Bellin
Phone: 01534768141

Vessel:**Carrier's Reference:****Container / Trailer: -****Our Movement Number:****Station:****Depart:****Collection Date/Time:** 16/11/22**Arrive:****Delivery Date/Time:** 21/11/22**Allocated To: Date:****Service Level:** 72hr**Terms:** Delivered At Place**Trailer Reference:****Load Reference:****Weight:** 124.70**Chargeable Kgs:** 205.85**Volume:** 0.62**Linear Metres:** 0.00**Packages:** 1 Pallet**Goods:** Shades**Dimensions:** 1 Piece 305 x 81 x 25 cm**Marks:** Address**Instructions To Driver / Transport Department:** Deliver ASAP**Above goods received in good order and condition by****Signature****Name - please print****Date****Time**



Sender

CH Robinson Worldwide UK Ltd
Units 8-9 Blackthorne Crescent
Colnbrook
Berkshire SL3 0QR
United Kingdom

Contact: Holly Willmoth
Phone: 01753683288

Consignee

C.P. Sunblinds & Curtains
28 Rue des Pres Trading Estate
St. Saviour
Jersey JE2 7QN
United Kingdom

Contact: Emanuele Bellin
Phone: 01534768141

Delivery Note

Our Reference: 1019742
Sender Reference:
Consignee Reference:
Other Agent Reference: 24040226

Delivery Address

C.P. Sunblinds & Curtains
28 Rue des Pres Trading Estate
St. Saviour
Jersey JE2 7QN
United Kingdom

Vessel:
Container / Trailer: -
Station:

Carrier's Reference:
Our Movement Number:

Depart:
Arrive:
Allocated To: Date:
Terms: Delivered At Place

Collection Date/Time: 16/11/22
Delivery Date/Time: 21/11/22
Service Level: 72hr
Trailer Reference: Load Reference:

Weight: 124.70 Chargeable Kgs: 205.85

Volume: 0.62 Linear Metres: 0.00

Packages: 1 Pallet

Goods: Shades

Dimensions: 1 Piece 305 x 81 x 25 cm

Marks: Address

Instructions To Driver / Transport Department: Deliver ASAP

Above goods received in good order and condition by

Signature

Name - please print

Date

Time



Sender

CH Robinson Worldwide UK Ltd
Units 8-9 Blackthorne Crescent
Colnbrook
Berkshire SL3 0QR
United Kingdom

Contact: Holly Willmoth
Phone: 01753683288

Consignee

C.P. Sunblinds & Curtains
28 Rue des Pres Trading Estate
St. Saviour
Jersey JE2 7QN
United Kingdom

Contact: Emanuele Bellin
Phone: 01534768141

Delivery Note

Our Reference: 1019742

Sender Reference:

Consignee Reference:

Other Agent Reference: 24040226

Delivery Address

C.P. Sunblinds & Curtains
28 Rue des Pres Trading Estate
St. Saviour
Jersey JE2 7QN
United Kingdom

Vessel:

Container / Trailer: -

Station:

Carrier's Reference:

Our Movement Number:

Depart:

Arrive:

Allocated To: Date:

Terms: Delivered At Place

Collection Date/Time: 16/11/22

Delivery Date/Time: 21/11/22

Service Level: 72hr

Trailer Reference:

Load Reference:

Weight: 124.70

Chargeable Kgs: 205.85

Volume: 0.62

Linear Metres: 0.00

Packages: 1 Pallet

Goods: Shades

Dimensions: 1 Piece 305 x 81 x 25 cm

Marks: Address

Instructions To Driver / Transport Department: Deliver ASAP

Above goods received in good order and condition by

Signature

Name - please print

Date

Time



7200 SUTER RD
COOPERSBURG, PA, 18036, US

Commercial Invoice

Page 1 of 2
Order # 24040226 SO
Shipment # 8519049
Invoice # 4471573

SHIPPER	SOLD TO	DELIVER TO (FREIGHT FORWARDER)	ULTIMATE CONSIGNEE
LUTRON ELECTRONICS CO., INC. 11520 SUN SHADE LANE ASHLAND, VA, 23005, US	LUTRON EA LIMITED 125 FINSBURY PAVEMENT LONDON, EC2A 1NQ, GB		C.P. SUNBLINDS & CURTAINS UNIT 28 RUE DES PRES TRADING ESTATE ST. SAVOIR, JE2 7QN, JE

Invoice Date: 10/28/2022 Customer PO #: SO12620 COTILLARD INCO Term: CIP Gross Weight (lbs): 175.00
 Shipped Via: CH Robinson Air Freight INCO Location: London, GB Payment Terms: NET 30

Line#	Catalog No.	Description	Net Weight (lbs)	COO	US HS	QTY	UOM	Unit Price USD	Extended Price USD
1	QSSR-S10A13	SIVOIA QS ROLLER 64 Width " : 69 11/16 Height " : 107 1/16Fabric : SV64-27-3 Fabric PN : 34216036126		US	847989	1.00	EA	447.58	447.58
2	QSSR-S10A13	SIVOIA QS ROLLER 64 Width " : 68 7/8 Height " : 107 1/16Fabric : SV64-27-3 Fabric PN : 34216036126		US	847989	1.00	EA	447.13	447.13
3	QSSR-S10A13	SIVOIA QS ROLLER 64 Width " : 68 5/16 Height " : 107 1/16Fabric : SV64-27-3 Fabric PN : 34216036126		US	847989	1.00	EA	446.80	446.80
4	QSSR-S10A13	SIVOIA QS ROLLER 64 Width " : 63 3/16 Height " : 107 1/16Fabric : SV64-27-3 Fabric PN : 34216036126		US	847989	1.00	EA	444.53	444.53
5	QMR-R64-C	SIVOIA QS ROLLER 64 Width " : 101 9/16 Height " : 107 1/16Fabric : SV64-27-3 Fabric PN : 34216036126		US	847989	1.00	EA	498.22	498.22
6	QMR-R64-C	SIVOIA QS ROLLER 64 Width " : 108 1/4 Height " : 107 1/16Fabric : SV64-27-3 Fabric PN : 34216036126		US	847989	1.00	EA	502.26	502.26

Line#	Catalog No.	Description	Net Weight (lbs)	COO	US HS	QTY	UOM	Unit Price USD	Extended Price USD
7	QMR-R64-C	SIVOIA QS ROLLER 64 Width " : 109 1/16 Height " : 107 1/16Fabric : SV64-27-3 Fabric PN : 34216036126		US	847989	1.00	EA	502.42	502.42
8	045616	ROLLER 20/64 STD/DUAL INSTALL		US	490110	1.00	EA	0.26	0.26
9	2661037	R64 PROGAMMING STYLUS - ABS		CN	392690	1.00	EA	0.20	0.20
								Total Price	3,289.40

These items are controlled by the U.S. Government and authorized for export only to the country of ultimate destination for use by the ultimate consignee or end-user(s) herein identified. They may not be resold, transferred, or otherwise disposed of, to any other country or to any person other than the authorized ultimate consignee or end-user(s), either in their original form or after being incorporated into other items, without first obtaining approval from the U.S. Government or as otherwise authorized by U.S. law and regulations.



Delivery Note

CH Robinson Worldwide UK Ltd
 Units 8-9 Blackthorne Crescent
 Colnbrook
 Berkshire SL3 0QR
 United Kingdom
 Contact: Holly Willmoth
 Phone: 01753683288
 Our Reference: 1019790
 Sender Reference:
 Consignee Reference:
 Other Agent Reference: 24110455

Sender
 C.P. Sunblinds & Curtains
 28 Rue des Pres Trading Estate
 St. Savour
 Jersey JE2 7QN
 United Kingdom
 Contact: Emanuele Bellin
 Phone: 01534768141

Consignee

Ferryspeed Ltd
 Ackworth Road
 Hilsa
 Portsmouth
 Hampshire PO3 5JT
 United Kingdom

Vessel:
 Container / Trailer: -
 Our Movement Number:

Station:

Depart: Arrive:
 Allocated To: Date:
 Terms: Delivered At Place
 Collection Date/Time: 17/11/22
 Delivery Date/Time: 22/11/22
 Service Level: 72hr
 Trailer Reference:
 Load Reference:

Weight: 260.80 Chargeable Kgs: 260.80 Volume: 0.62 Linear Metres: 0.00

Packages: 1 Pallet

Goods: Shades Dimensions: 1 Piece 333 x 81 x 51 cm

Marks: Address

Instructions To Driver / Transport Department: Deliver ASAP

FAO Leena Taff 01534768141

Above goods received in good order and condition by

Signature

Name - please print

Date

Time

Clarity Cargo

Clarity Cargo Limited
Unit 2, a/b, Ridgeway Distribution Centre
The Ridgeway, Iver, Buckinghamshire
SL0 9JQ
Phone: (+44) 01753 900940
Email: sales@claritycargo.com
Web: www.claritycargo.com
VAT: GB367931362



Delivery Note

Sender

CH Robinson Worldwide UK Ltd
Units 8-9 Blackthorne Crescent
Colnbrook
Berkshire SL3 0QR
United Kingdom

Our Reference: 1019790
Sender Reference:
Consignee Reference:
Other Agent Reference: 24110455

Contact: Holly Willmoth
Phone: 01753683288

Consignee

C.P. Sunblinds & Curtains
28 Rue des Pres Trading Estate
St. Saviour
Jersey JE2 7QN
United Kingdom
C.P. Sunblinds & Curtains
28 Rue des Pres Trading Estate
St. Saviour
Jersey JE2 7QN
United Kingdom

Contact: Emanuele Bellin
Phone: 01534768141

Vessel:
Container / Trailer: -
Carrier's Reference:
Our Movement Number:

Station:

Depart:
Arrive:
Allocated To: Date:
Terms: Delivered At Place
Collection Date/Time: 17/11/22
Delivery Date/Time: 22/11/22
Service Level: 72hr
Trailer Reference:
Load Reference:

Weight: 260.80
Chargeable Kgs: 260.80
Volume: 0.62
Linear Metres: 0.00
Packages: 1 Pallet
Goods: Shades
Marks: Address
Dimensions: 1 Piece 333 x 81 x 51 cm

Instructions To Driver / Transport Department: Deliver ASAP
FAO Leena Taft 01534768141
Above goods received in good order and condition by

Signature

Name - please print

Date

Time



London, England E16 4ST
Phone: +44 (0)20 7702 0657

ORIGINAL

ORDER NUMBER
24040226 SO

CUSTOMER ORDER NO.
SO12620 COTILIARD

CUSTOMER NO. 116341
**SOLD TO: CP SUNBLINDS & CURTAINS
RUE DES PRES TRADING ESTATE**

CUSTOMER NO. 116342
**SHIP TO: C.P. SUNBLINDS & CURTAINS
UNIT 28
RUE DES PRES TRADING ESTATE**

ST. SAVIOUR, JE2 7QN

ST. SAVIOUR, JE2 7QN

DATE ENTERED	DATE REQUIRED	SHIPPED VIA	SALES REP.	FREIGHT CODE	PAGE
10/14/22	10/14/22	CH Robinson Air	H/EA NON-UK(SHADE OEM)	Backordered / S and H Prepaid	1 of 4
CUSTOMER ORDER NO.		WEIGHT (LB)	NO. OF CTNS.	DATE SHIPPED	BILL OF LADING
SO12620 COTILIARD		275.00	1.0		
LINE NO.	QTY. ORDERED	QTY. SHIPPED	QTY. BACKORDERED	CATALOG NUMBER	DESCRIPTION
1.000	1.0	1.0		QSSR-S10A13	SIVOIA QS ROLLER 64 Roommark : Roller Shade 1 Width " : 69 1/16 Height " : 107 1/16 Fabric : SV64-27-3 - Phifer SheerWeave
2.000	1.0	1.0		QSSR-S10A13	SIVOIA QS ROLLER 64 Roommark : Roller Shade 2 Width " : 68 7/8 Height " : 107 1/16 Fabric : SV64-27-3 - Phifer SheerWeave

SPECIAL INSTRUCTIONS:

SUBJECT TO LUTRON'S TERMS AND CONDITIONS OF SALE

PACK LIST

PROJECT # 3362656 QUOTE 6
REV 0
JOB # 3362656 RELEASE 1
JOB NAME COTILIARD - NO BATTENS
JOB LOCATION,



Lutron controls your light...

London, England E16 4ST
Phone: +44 (0)20 7702 0657

ORIGINAL

ORDER NUMBER	24110455 SO	CUSTOMER ORDER NO.	SO13178 RAVENSCROFT
--------------	-------------	--------------------	---------------------

CUSTOMER NO. 116341

**SOLD TO: CP SUNBLINDS & CURTAINS
RUE DES PRES TRADING ESTATE**

**SHIP TO: C.P. SUNBLINDS & CURTAINS
UNIT 28
RUE DES PRES TRADING ESTATE**

CUSTOMER NO. 116342

ST. SAVIOUR, JE2 7QN

ST. SAVIOUR, JE2 7QN

DATE ENTERED	DATE REQUIRED	SHIPPED VIA	SALES REP.	FREIGHT CODE	PAGE		
11/02/22	11/02/22	CH Robinson Air	H(EA NON-UK/SHADE OEM)	Backordered / S and H Prepaid	7 of 7		
CUSTOMER ORDER NO.		WEIGHT (LB)	NO. OF CTNS.	DATE SHIPPED	BILL OF LADING		
SO13178 RAVENSCROFT		575.00	1.0				
LINE NO.	QTY. ORDERED	QTY. SHIPPED	QTY. BACKORDERED	CATALOG NUMBER	DESCRIPTION	PICK SLIP	INCOTERM
19.000	1.0	1.0		QSSR-S30A20	SIV QS 100 ROLLER Roommark : Master suite W-0-08 Width " : 95 1/16 Height " : 61 Fabric : SP13-90-3 - Basketweave 90 - 3	17965778	CIP Saint Helier, JE
20.000	2.0	2.0		045616 Carton: 11105404	ROLLER 20/64 STD/DUAL INSTALL		
21.000	2.0	2.0		2661037 Carton: 11105404	R64 PROGAMMING STYLUS - ABS		
22.000	1.0	1.0		045786 Carton: 11105404	R100 WALL CEILING JAMB LS1		

{Please be advised that at least one of the selected fabrics contains fiberglass, and as a result, may be susceptible to edge fray. Please refer to Lutron Application Note 411 for more details on managing edge fray. http://www.lutron.com/TechnicalLibrary/048_411.pdf} This fabric is not available for sale on shades to be installed in the State of Massachusetts.};

SPECIAL INSTRUCTIONS:

SUBJECT TO LUTRON'S TERMS AND CONDITIONS OF SALE

PACK LIST

R65421PKL

PROJECT # 3311605 QUOTE 17
REV 0
JOB # 3311605 RELEASE 1
JOB NAME TORPA
JOB LOCATION,

Clarity Cargo

Clarity Cargo Limited
Unit 2 a/b, Ridgeway Distribution Centre
The Ridgeway, Iver, Buckinghamshire
SL0 9JQ

Phone (+44) 01753 900940
Email sales@claritycargo.com
Web www.claritycargo.com
VAT GB367931362



Sender

CH Robinson Worldwide UK Ltd
Units 8-9 Blackthorne Crescent
Colnbrook
Berkshire SL3 0QR
United Kingdom

Delivery Note

Our Reference: 1019790
Sender Reference:
Consignee Reference:
Other Agent Reference: 24110455

Contact: Holly Willmoth
Phone: 01753683288

Consignee

C.P. Sunblinds & Curtains
28 Rue des Pres Trading Estate
St. Saviour
Jersey JE2 7QN
United Kingdom

Delivery Address

C.P. Sunblinds & Curtains
28 Rue des Pres Trading Estate
St. Saviour
Jersey JE2 7QN
United Kingdom

Contact: Emanuele Bellin
Phone: 01534768141

Vessel:

Container / Trailer: -

Station:

Carrier's Reference:

Our Movement Number:

Depart:

Arrive:

Allocated To: Date:

Terms: Delivered At Place

Collection Date/Time: 17/11/22

Delivery Date/Time: 22/11/22

Service Level: 72hr

Trailer Reference:

Load Reference:

Weight: 260.80

Chargeable Kgs: 260.80

Volume: 0.62

Linear Metres: 0.00

Packages: 1 Pallet

Goods: Shades

Dimensions: 1 Piece 333 x 81 x 51 cm

Marks: Address

Instructions To Driver / Transport Department: Deliver ASAP
FAO Leena Taft 01534768141

Above goods received in good order and condition by

Signature

Name - please print

Date

Time



Commercial Invoice

7200 SUTER RD
COOPERSBURG, PA, 18036, US

Page 1 of 3
Order # 24110455 SO
Shipment # 8549098
Invoice # 4507926

SHIPPER	SOLD TO	DELIVER TO (FREIGHT FORWARDER)	ULTIMATE CONSIGNEE
LUTTRON ELECTRONICS CO., INC. 11520 SUN SHADE LANE ASHLAND, VA, 23005, US	LUTTRON EA LIMITED 125 FINSBURY PAVEMENT LONDON, EC2A 1NQ, GB		C.P. SUNBLINDS & CURTAINS UNIT 28 RUE DES PRES TRADING ESTATE ST. SAVOIR, J.E2 7QN, JE

Invoice Date 11/09/2022 CustomerPO # SO13178 RAVENSCROF INCO Term CIP Gross Weight (lbs) 475.00

Shipped Via C.H. Robinson INCO Location London, GB Payment Terms NET 30

Line#	Catalog No.	Description	Net Weight (lbs)	COO	US HS	QTY	UOM	Unit Price USD	Extended Price USD
1	QSSR-S10A13	SIVOA QS ROLLER 64 Width " : 69 1/8 Height " : 70 7/8Fabric : S2022-M-3 Fabric PN : 34202530698	US 847989	US	847989	1.00	EA	393.02	393.02
2	QSSR-S10A13	SIVOA QS ROLLER 64 Width " : 44 5/16 Height " : 47 1/4Fabric : S2022-M-1 Fabric PN : 342027306122	US 847989	US	847989	1.00	EA	371.89	371.89
3	QSSR-S10A13	SIVOA QS ROLLER 64 Width " : 44 11/16 Height " : 47 1/4Fabric : S2022-M-1 Fabric PN : 342027306122	US 847989	US	847989	1.00	EA	372.24	372.24
4	QSSR-S10A13	SIVOA QS ROLLER 64 Width " : 87 Height " : 47 1/4Fabric : S2022-M-1 Fabric PN : 342027306122	US 847989	US	847989	1.00	EA	401.69	401.69
5	QSSR-S10A13	SIVOA QS ROLLER 64 Width " : 43 7/8 Height " : 86 5/8Fabric : S2022-M-1 Fabric PN : 342027306122	US 847989	US	847989	1.00	EA	447.52	447.52
6	QSSR-S10A13	SIVOA QS ROLLER 64 Width " : 48 13/16 Height " : 94 1/2Fabric : S2022-M-3 Fabric PN : 34202530698	US 847989	US	847989	1.00	EA	411.72	411.72
7	QSSR-S10A13	SIVOA QS ROLLER 64 Width " : 48 7/16 Height " : 94 1/2Fabric : S2022-M-3 Fabric PN : 34202530698	US 847989	US	847989	1.00	EA	411.48	411.48

Line#	Catalog No.	Description	Net Weight (lbs)	COO	US HS	QTY	UOM	Unit Price USD	Extended Price USD
8	QSSR-S10A13	SIVOIA QS ROLLER 64 Width " : 32 7/8 Height " : 56 5/16Fabric : S2022-M-3 Fabric PN : 34202530698		US	847989	1.00	EA	350.61	350.61
9	QSSR-S10A13	SIVOIA QS ROLLER 64 Width " : 32 5/16 Height " : 81 1/2Fabric : S2022-M-3 Fabric PN : 34202530698		US	847989	1.00	EA	379.51	379.51
10	QSSR-S10A13	SIVOIA QS ROLLER 64 Width " : 31 1/8 Height " : 106 5/16Fabric : S2022-M-3 Fabric PN : 34202530698		US	847989	1.00	EA	410.99	410.99
11	QSSR-S30A20	SIV QS 100 ROLLER Width " : 42 5/16 Height " : 200 13/16Fabric : S2022-M-3 Fabric PN : 34202530698		US	847989	1.00	EA	678.11	678.11
12	QSSR-S30A20	SIV QS 100 ROLLER Width " : 43 5/16 Height " : 177 15/16Fabric : S2022-M-3 Fabric PN : 34202530698		US	847989	1.00	EA	652.20	652.20
13	QSSR-S30A20	SIV QS 100 ROLLER Width " : 43 1/8 Height " : 153 9/16Fabric : S2022-M-3 Fabric PN : 34202530698		US	847989	1.00	EA	624.04	624.04
14	QSSR-S30A20	SIV QS 100 ROLLER Width " : 43 1/2 Height " : 114 3/16Fabric : S2022-M-3 Fabric PN : 34202530698		US	847989	1.00	EA	570.44	570.44
15	QSSR-S10A13	SIVOIA QS ROLLER 64 Width " : 69 5/16 Height " : 98 7/16Fabric : S0220-M-3 Fabric PN : 34202521998		US	847989	1.00	EA	438.73	438.73
16	QSSR-S10A13	SIVOIA QS ROLLER 64 Width " : 66 15/16 Height " : 98 7/16Fabric : : S0220-M-3 Fabric PN : 34202521998		US	847989	1.00	EA	437.70	437.70
17	QSSR-S10A13	SIVOIA QS ROLLER 64 Width " : 67 5/16 Height " : 98 7/16Fabric : S0220-M-3 Fabric PN : 34202521998		US	847989	1.00	EA	437.82	437.82
18	QSSR-S30A20	SIV QS 100 ROLLER Width " : 111 1/16 Height " : 154. 5/16Fabric : SP13-90-3 Fabric PN : 342006326126		US	847989	1.00	EA	743.40	743.40
19	QSSR-S30A20	SIV QS 100 ROLLER Width " : 95 1/16 Height " : 61 Fabric : SP13-90-3 Fabric PN : 34200632698		US	847989	1.00	EA	422.10	422.10

Line#	Catalog No.	Description	Net Weight (lbs)	COO	US HS	QTY	UOM	Unit Price USD	Extended Price USD
20	045616	ROLLER 20/64 STD/DUAL INSTALL		US	490110	2.00	EA	0.26	0.51
21	2661037	R64 PROGAMMING STYLUS - ABS		CN	392690	2.00	EA	0.20	0.41
22	045786	R100 WALL CEILING JAMB LS1		US	490110	1.00	EA	0.35	0.35
Total Price									8,956.48

These items are controlled by the U.S. Government and authorized for export only to the country of ultimate destination for use by the ultimate consignee or end-user(s) herein identified. They may not be resold, transferred, or otherwise disposed of, to any other country or to any person other than the authorized ultimate consignee or end-user(s), either in their original form or after being incorporated into other items, without first obtaining approval from the U.S. Government or as otherwise authorized by U.S. law and regulations.

LUTRON
Coopersburg, PA 18036-1299
Phone 610.282.3800

ORDER CONFIRMATION

PAGE NO: 1
ORDER NO: 24040226 SO
DATE ENTERED: 10/14/22
CUSTOMER NO: 116341

SOLD TO:
CP SUNBLINDS & CURTAINS
RUE DES PRES TRADING ESTATE

FREIGHT FORWARDER

SHIP TO:
C.P. SUNBLINDS & CURTAINS
UNIT 28
RUE DES PRES TRADING ESTATE

ST. SAVIOUR JE2 7QN
Jersey - Channel Islands

ST. SAVIOUR JE2 7QN
Jersey - Channel Islands

LINE ID	QTY/ORDERED	CATALOG NO.	DESCRIPTION	SHIP VIA	TERMS	INCOTERM	DETAIL NOTES (IF APPLICABLE)	SALES REP (HEA UKWSP)	PRICE	EXTENDED PRICE
1.00	1.0	QSSR-S10A13	SIVOIA QS ROLLER 64 Roommark : Roller Shade 1 Width " : 69 11/16 Height " : 107 1/16 Fabric : SV64-27-3 - Phifer SheerWeave	FedEx Ground	NET 30		{Sealed hembars show the face of the fabric on both sides of the shade. On dual-sided fabrics with a different color backing, this may create an inconsistent look between the fabric on the hembar and the color on the back of the shade.}Please be advised that at least one of the selected fabrics contains fiberglass, and as a result, may be susceptible to edge fray. Please refer to Lutron Application Note 411 for more details on managing edge fray. http://www.lutron.com/TechnicalDocumentLibrary/048_411.pdf {This fabric is not available for sale on shades to be installed in the State of Massachusetts.};		626.2900	626.29
2.00	1.0	QSSR-S10A13	SIVOIA QS ROLLER 64 Roommark : Roller Shade2 Width " : 68 7/8 Height " : 107 1/16 Fabric : SV64-27-3 - Phifer SheerWeave				{Sealed hembars show the face of the fabric on both sides of the shade. On dual-sided fabrics with a different color backing, this may create an inconsistent look between the fabric on the hembar and the color on the back of the shade.}Please be advised that at least one of the selected fabrics contains fiberglass, and as a result, may be susceptible to edge fray. Please refer to Lutron Application Note 411 for more details on managing edge fray. http://www.lutron.com/TechnicalDocumentLibrary/048_411.pdf {This fabric is not available for sale on shades to be installed in the State of Massachusetts.};		624.8400	624.84

JOB INFORMATION (IF APPLICABLE)

- IMPORTANT NOTES:**
- 1) THIS ORDER IS SUBJECT TO LUTRON'S TERMS AND CONDITIONS OF SALE.
 - 2) SHIP DATES CAN BE VIEWED VIA DIMS OR YOU MAY CONTACT YOUR CUSTOMER SERVICE REPRESENTATIVE.
 - 3) PLEASE NOTE THAT E-MAIL ORDER CONFIRMATIONS WILL BE SENT VIA MYORDERS. PLEASE VISIT OUR WEBSITE @ <https://mylutron.com> TO REGISTER.

PROJECT # 3362656 QUOTE - 6 REV - 0
JOB # 3362656 RELEASE - 1
JOB NAME- COTILLARD - NO BATTEMS
JOB LOCATION-

LUTRON
 Coopersburg, PA 18036-1299
 Phone 610.282.3800

ORDER CONFIRMATION

PAGE NO: 2
 ORDER NO: 24040226 SO
 DATE ENTERED: 10/14/22
 CUSTOMER NO: 116341

SOLD TO :
 CP SUNBLINDS & CURTAINS
 RUE DES PRES TRADING ESTATE

SHIP TO :
 C.P. SUNBLINDS & CURTAINS
 UNIT 28
 RUE DES PRES TRADING ESTATE

ST. SAVIOUR JE2 7QN
 Jersey - Channel Islands

ST. SAVIOUR JE2 7QN
 Jersey - Channel Islands

FREIGHT FORWARDER

LINE ID	QTY. ORDERED	CATALOG NO.	DESCRIPTION	SHIP VIA	TERMS	INCOTERM	SALES REP	PRICE	EXTENDED PRICE
3.00	1.0	QSSR-S10A13	SIVOIA QS ROLLER 64 Roommark : Roller Shades Width " : 68 5/16 Height " : 107 1/16 Fabric : SV64-27-3 - Pflifer SheerWeave	FedEx Ground	NET 30		H(EA UK/WSP)	623.8400	623.84
4.00	1.0	QSSR-S10A13	SIVOIA QS ROLLER 64 Roommark : Roller Shade4 Width " : 63 3/16 Height " : 107 1/16 Fabric : SV64-27-3 - Pflifer SheerWeave	FedEx Ground	NET 30		H(EA UK/WSP)	614.7200	614.72

DETAIL NOTES (IF APPLICABLE)
{Sealed hembars show the face of the fabric on both sides of the shade. On dual-sided fabrics with a different color backing, this may create an inconsistent look between the fabric on the hembar and the color on the back of the shade.}Please be advised that at least one of the selected fabrics contains fiberglass, and as a result, may be susceptible to edge fray. Please refer to Lutron Application Note 411 for more details on managing edge fray. http://www.lutron.com/TechnicalDocumentLibrary/048_411.pdf {This fabric is not available for sale on shades to be installed in the State of Massachusetts.}
{Sealed hembars show the face of the fabric on both sides of the shade. On dual-sided fabrics with a different color backing, this may create an inconsistent look between the fabric on the hembar and the color on the back of the shade.}Please be advised that at least one of the selected fabrics contains fiberglass, and as a result, may be susceptible to edge fray. Please refer to Lutron Application Note 411 for more details on managing edge fray. http://www.lutron.com/TechnicalDocumentLibrary/048_411.pdf {This fabric is not available for sale on shades to be installed in the State of Massachusetts.}

IMPORTANT NOTES:

- THIS ORDER IS SUBJECT TO LUTRON'S TERMS AND CONDITIONS OF SALE.
- SHIP DATES CAN BE VIEWED VIA DIMS OR YOU MAY CONTACT YOUR CUSTOMER SERVICE REPRESENTATIVE.
- PLEASE NOTE THAT E-MAIL ORDER CONFIRMATIONS WILL BE SENT VIA MYORDERS. PLEASE VISIT OUR WEBSITE @ <https://mylutron.com> TO REGISTER.

JOB INFORMATION (IF APPLICABLE)

PROJECT # 3362656 QUOTE - 6 REV - 0
 JOB # 3362656 RELEASE - 1
 JOB NAME- COTILLIARD - NO BATTENS
 JOB LOCATION-

LUTRON
 Coopersburg, PA 18036-1299
 Phone 610.262.3800

ORDER CONFIRMATION

PAGE NO: 3
 ORDER NO: 24040226 SO
 DATE ENTERED: 10/14/22
 CUSTOMER NO: 116341

SOLD TO :
 CP SUNBLINDS & CURTAINS
 RUE DES PRES TRADING ESTATE

ST. SAVOIR JE2 7QN
 Jersey - Channel Islands

FREIGHT FORWARDER

ST. SAVOIR JE2 7QN
 Jersey - Channel Islands

SHIP TO :
 C.P. SUNBLINDS & CURTAINS
 UNIT 28
 RUE DES PRES TRADING ESTATE

LINE ID	QTY-ORDERED	CATALOG NO.	DESCRIPTION	DETAIL NOTES (IF APPLICABLE)	PRICE	EXTENDED PRICE
5.00	1.0	QMR-R64-C	SIVOIA QS ROLLER 64 Roommark : Roller Shade 5 Width " : 101 9/16 Height " : 107 1/16 Fabric : SV64-27-3 - Phifer SheerWeave	INCOTERM {Sealed hembars show the face of the fabric on both sides of the shade. On dual-sided fabrics with a different color backing, this may create an inconsistent look between the fabric on the hembar and the color on the back of the shade.}Please be advised that at least one of the selected fabrics contains fiberglass, and as a result, may be susceptible to edge fray. Please refer to Lutron Application Note 411 for more details on managing edge fray. http://www.lutron.com/TechnicalDocumentLibrary/048_411.pdf {This fabric is not available for sale on shades to be installed in the State of Massachusetts.}	847.1900	847.19
6.00	1.0	QMR-R64-C	SIVOIA QS ROLLER 64 Roommark : Roller Shade 6 Width " : 108 1/4 Height " : 107 1/16 Fabric : SV64-27-3 - Phifer SheerWeave	INCOTERM {Sealed hembars show the face of the fabric on both sides of the shade. On dual-sided fabrics with a different color backing, this may create an inconsistent look between the fabric on the hembar and the color on the back of the shade.}Please be advised that at least one of the selected fabrics contains fiberglass, and as a result, may be susceptible to edge fray. Please refer to Lutron Application Note 411 for more details on managing edge fray. http://www.lutron.com/TechnicalDocumentLibrary/048_411.pdf {This fabric is not available for sale on shades to be installed in the State of Massachusetts.}	866.8500	866.85

IMPORTANT NOTES:
 1) THIS ORDER IS SUBJECT TO LUTRON'S TERMS AND CONDITIONS OF SALE.
 2) SHIP DATES CAN BE VIEWED VIA DIMS OR YOU MAY CONTACT YOUR CUSTOMER SERVICE REPRESENTATIVE.
 3) PLEASE NOTE THAT E-MAIL ORDER CONFIRMATIONS WILL BE SENT VIA MYORDERS. PLEASE VISIT OUR WEBSITE @ <<https://mylutron.com>> TO REGISTER.

JOB INFORMATION (IF APPLICABLE)
 PROJECT # 3362656 QUOTE - 6 REV - 0
 JOB # 3362656 RELEASE - 1
 JOB NAME- COTILLIARD - NO BATTENS
 JOB LOCATION-

LUTRON
 Coopersburg, PA 18036-1299
 Phone 610.282.3800

ORDER CONFIRMATION

PAGE NO: 4
 ORDER NO: 24040226 SO
 DATE ENTERED: 10/14/22
 CUSTOMER NO: 116341

SOLD TO :
 CP SUNBLINDS & CURTAINS
 RUE DES PRES TRADING ESTATE

FREIGHT FORWARDER

SHIP TO :
 C.P. SUNBLINDS & CURTAINS
 UNIT 28
 RUE DES PRES TRADING ESTATE

ST. SAVIOUR JE2 7QN
 Jersey - Channel Islands

ST. SAVIOUR JE2 7QN
 Jersey - Channel Islands

LINE ID	QTY. ORDERED	CATALOG NO.	DESCRIPTION	DETAIL NOTES (IF APPLICABLE)	PRICE	EXTENDED PRICE
7.00	1.0	QMR-R64-C	SIVOIA QS ROLLER 64 Roommark : Roller Shade 7 Width " : 109 1/16 Height " : 107 1/16 Fabric : SV64-27-3 - Pflifer SheerWeave	(Sealed hembars show the face of the fabric on both sides of the shade. On dual-sided fabrics with a different color backing, this may create an inconsistent look between the fabric on the hembar and the color on the back of the shade.) Please be advised that at least one of the selected fabrics contains fiberglass, and as a result, may be susceptible to edge fray. Please refer to Lutron Application Note 4.1.1 for more details on managing edge fray. http://www.lutron.com/TechnicalDocuments/Library/048_411.pdf This fabric is not available for sale on shades to be installed in the State of Massachusetts. }	869.2400	869.24
8.00	1.0	045616	ROLLER 20/64 STD/DUAL INSTALL		0.0000	
9.00	1.0	2661037	R64 PROGRAMMING STYLUS - ABS		0.0000	
10.00	1.0	FREIGHT	SHIPPING AND HANDLING CHARGES		168.7900	168.79
ORDER TOTAL:						5,241.76 GBP

- IMPORTANT NOTES:**
- 1) THIS ORDER IS SUBJECT TO LUTRON'S TERMS AND CONDITIONS OF SALE.
 - 2) SHIP DATES CAN BE VIEWED VIA DIMS OR YOU MAY CONTACT YOUR CUSTOMER SERVICE REPRESENTATIVE.
 - 3) PLEASE NOTE THAT E-MAIL ORDER CONFIRMATIONS WILL BE SENT VIA MYORDERS. PLEASE VISIT OUR WEBSITE @ <https://mylutron.com> TO REGISTER.

JOB INFORMATION (IF APPLICABLE)

PROJECT # 3362656 QUOTE - 6 REV - 0
 JOB # 3362656 RELEASE - 1
 JOB NAME - COTILLIARD - NO BATTENS
 JOB LOCATION - .



QUOTE ID 3362656.6
ORDERED

QUOTE

Project Information

Name Cotillard - no battens
Location Jersey

Customer Information

Name C.P. INTERIORS @ JERSEY
Account # 116342 Phone

Quote

Name Quote 1
Revision # Revision 1
Created by Leeana Taft
Created on 14-Oct-2022 Valid through 13-Jan-2023
Estimated to Ship in Check myProjects for latest availability

Price in GBP	List Price	£9,223.62
	Your cost from Lutron - Subtotal	£5,072.97
	Shipping & Handling	£168.79
	Your cost from Lutron	£5,241.76

Estimated freight is to deliver to an JE address. For Drop shipments, please contact Customer Service. Price does not include any duties, taxes or custom clearance fees.

All products are provided pursuant to Lutron's Terms and Conditions of Sale <http://www.lutron.com/en-US/General/Pages/Terms-ConditionsOfSaleTerms-Conditions-of-Sale.aspx>

Spec Check

Mixed Selections

There is a mix of Bracket Size

Standard (Max. roll-up: 3 in)
4 Lines: 1, 2, 3, 4
WIDR (Max. roll-up: 3.3 in)
3 Lines: 5, 6, 7

There is a mix of Tube

1.625 in
4 Lines: 1, 2, 3, 4
2 in
3 Lines: 5, 6, 7

Incompatible Products

(None)

Missing Equipment

(None)

Warnings

Sealed hembars show the face of the fabric on both sides of the shade. On dual-sided fabrics with a different color backing, this may create an inconsistent look between the fabric on the hembar and the color on the back of the shade.

7 Lines: 1, 2, 3, 4, 5, 6, 7

Please be advised that at least one of the selected fabrics contains fiberglass, and as a result, may be susceptible to edge fray. Please refer to Lutron Application Note 411 for more details on managing edge fray. http://www.lutron.com/TechnicalDocumentLibrary/048_411.pdf
7 Lines: 1, 2, 3, 4, 5, 6, 7

Summary

Dimensions specified in millimeters | Price in GBP

All Areas > New Area 1

Line	Name	Description	Width	Height	Qty	Unit Cost (Your Price)	Ext. Cost (Your Price)
1	Roller Shade 1	Roller, Sivoia QS Wired Roller 64, Basketweave 27 3% Charcoal/Slate (SV64-27-3)	1770	2719	1	£626.29	£626.29
2	Roller Shade2	Roller, Sivoia QS Wired Roller 64, Basketweave 27 3% Charcoal/Slate (SV64-27-3)	1749	2719	1	£624.84	£624.84
3	Roller Shade3	Roller, Sivoia QS Wired Roller 64, Basketweave 27 3% Charcoal/Slate (SV64-27-3)	1735	2719	1	£623.84	£623.84
4	Roller Shade4	Roller, Sivoia QS Wired Roller 64, Basketweave 27 3% Charcoal/Slate (SV64-27-3)	1605	2719	1	£614.72	£614.72
5	Roller Shade 5	Roller, Sivoia QS Wired Roller 64, Basketweave 27 3% Charcoal/Slate (SV64-27-3)	2580	2719	1	£847.19	£847.19
6	Roller Shade 6	Roller, Sivoia QS Wired Roller 64, Basketweave 27 3% Charcoal/Slate (SV64-27-3)	2750	2719	1	£866.85	£866.85
7	Roller Shade 7	Roller, Sivoia QS Wired Roller 64, Basketweave 27 3% Charcoal/Slate (SV64-27-3)	2770	2719	1	£869.24	£869.24

Total Units 7

Sub Total £5,072.97

Shipping & Handling £168.79

Your Price Total £5,241.76

Notes

Line Items

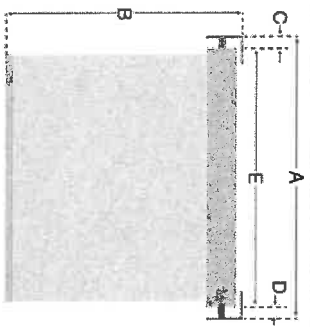
1, 2, 3, 4

Sealed hembars show the face of the fabric on both sides of the shade. On dual-sided fabrics with a different color backing, this may create an inconsistent look between the fabric on the hembar and the color on the back of the shade.

Please be advised that at least one of the selected fabrics contains fiberglass, and as a result, may be susceptible to edge fray. Please refer to Lutron Application Note 411 for more details on managing edge fray. http://www.lutron.com/TechnicalDocumentLibrary/048_411.pdf

Line Item Details

Dimensions specified in millimeters | Drawings not to scale. For reference only



Line Items 5, 6, 7
 Product Roller
 Mount Location Inside
 Fabric Basketweave 27 3% Charcoal/Slate (SV64-27-3)
 Top Treatment No Top Treatment
 Technology Sivoia QS Wired
 Operator Roller 64
 Brackets Universal Brackets
 Bracket Size WIDR (Max. roll-up: 3.3 in)

Hembar Designer Bottom Bar
 Fabric Face Fabric Face Away From Glass (Standard)
 Side Channel No
 Sill Angle No
 Tube 2 in

All Areas > New Area 1

Line Name	Qty	BtoB Width*	Fabric Width	Height	Operator Side	Fabric Drop	RailR	Seams	Light Gaps	IHA
5 Roller Shade 5	1	(A)2580	(E)2542	(B)2719	Left	Regular	No	No	(C) 19 (D) 19	Y
6 Roller Shade 6	1	(A)2750	(E)2711	(B)2719	Left	Regular	No	No	(C) 19 (D) 19	Y
7 Roller Shade 7	1	(A)2770	(E)2732	(B)2719	Left	Regular	No	No	(C) 19 (D) 19	Y

This fabric is not available for sale on shades to be installed in the State of Massachusetts.

*Blind Width and Fabric Width may have deductions because inside mount is specified.

Specifications

Low Voltage Power

- Operating voltage: Class 2, 35 V==
- Power must be derived from a Lutron NEC® Class 2 power supply (see 'Compatible Power Sources')
- Lutron NEC® Class 2 power supplies offer overvoltage protection (+/-10% of line voltage) for all devices in the system
- Lutron NEC® Class 2 power supplies provide appropriate Electrostatic Discharge (ESD) protection for all devices in the system
- Power failure protection: Shade programming will not be lost if power is lost to the drive

Compatible Power Sources

- Individual Plug-In
 - QSPS-P1-1-35V
 - QSPS-P2-1-35V
 - QSPS-P3-1-35V
- 10-Output Power Panels
 - QSPS-10PNL
 - QSPSY-10PNL
- Configurable Power Panels
 - QSPS-10PNL-NPM (with WIN-PS-5CC-R installed)
 - QSPS-30PNL-NPM (with WIN-PS-5CC-R installed)
- Individual Junction Box
 - QSPS-J-1-35V

Flexible Configuration

- Digitally assign and reassign shades to controls, groups, and scenes
- Adjust limits locally via buttons on the EDU
- Remotely adjust limits and grouping of QS shades via wired controls or system (HomeWorks QS, myRoom, Quantum)
- Remotely adjust limits and grouping of QS Wireless shades via system (HomeWorks QS, RadioRA 2, RA2 Select, Caséta PRO)
- No wired relays or wired group controllers required

System Capacity

- Standalone QS configuration supports 100 QS devices
- Standalone QS configuration supports 100 QS zones

Environment

- Temperature: 32° - 104° F (0° - 40° C)
- Humidity: 0% - 90%, non-condensing

Precision Control

- Preset positions can be easily programmed at any point between the open and close limits
- Shades stop within 1/8 in (3 mm) of programmed open, close, and preset positions
- Intelligent Hembar Alignment (IHA): Shades remain within 1/8 in (3 mm) alignment when stopped or moving

Controls

- Shades are compatible with HomeWorks QS, Quantum, and myRoom control systems
- Shades can be controlled by Radio Window sensors when installed as part of a HomeWorks QS or Quantum system
- QS Wired shades and controls in a system are wired together on the same communications link
 - Shades can be controlled by built-in shade columns on a GRAFIK Eye QS, or by low-voltage seeTouch QS keypads
- QS Wireless shades are compatible with HomeWorks QS, RadioRA 2, RA2 Select, and Caséta PRO control systems
 - Shades can be controlled using a Pico or 4-Group Handheld Remote Control, or seeTouch QS Wireless keypads

Integration

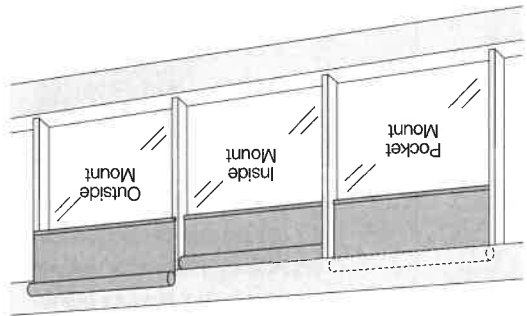
- EDUs integrate seamlessly with Lutron lighting controls with AVV equipment such as timelocks, security systems, and touch screens

Job Name:		Job Number:	
Model Numbers:			

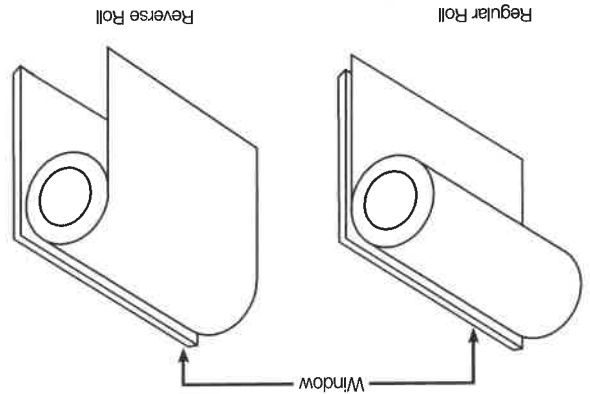
Sivoia QS Roller 64 Shade Options

Mounting Options

Depending on window dimensions, brackets can be mounted in a pocket, inside the window frame, or outside the window frame.



Fabric Drop Options



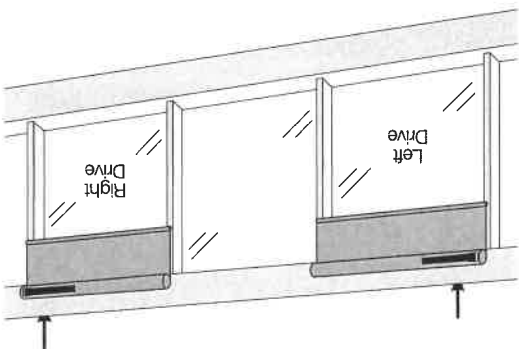
Fabric options

Sivoia QS roller shades are available in a wide variety of fabrics including:

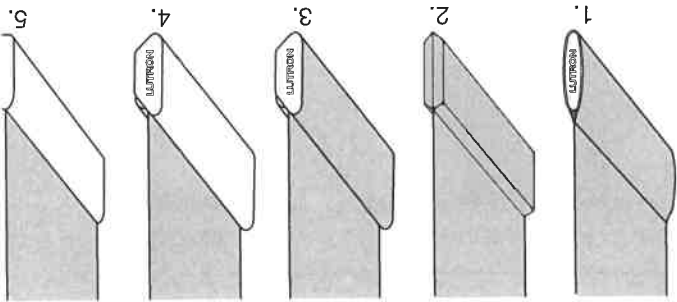
- Sheer – Filter sunlight, UV protection, view
 - Privacy – Minimal translucence, UV protection
 - Room Darkening – Maximum UV protection, no view (for complete blackout, side channels must be added along with pocket or fascia with top back cover)
- For more information on available roller shade fabrics, visit www.lutronfabrics.com

Drive Side Options

EDU can be specified on the left or right of the shade:



Bottom Bar Options



1. Designer Bottom Bar (standard)

2. Sealed Bottom Bar

3. Half-Wrap Architectural Bottom Bar with Plastic Endcaps (available in 3/16 x 1 in [5 x 25 mm] or 7/16 x 1 3/8 [11 x 35 mm])

4. Exposed Architectural Bottom Bar*

5. 1 in Exposed Bottom Bar*

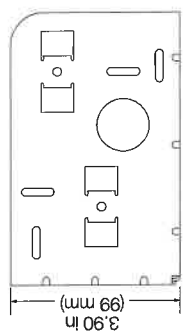
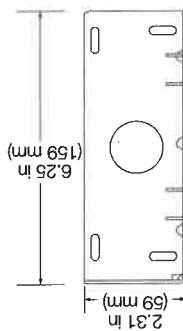
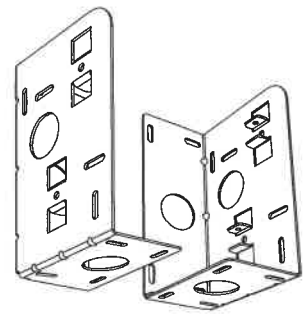
*Colors available:

- White
- Black
- Bronze
- Silver
- Custom color

Bracket Options continued

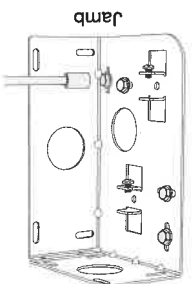
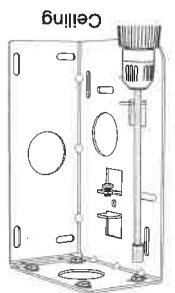
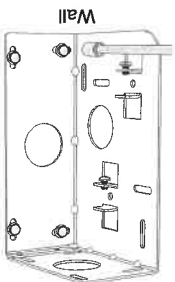
Roller 64 Universal Dual Bracket:

Allows for 2 fabric rolls installed in the same window, typically a sheer and a blackout.

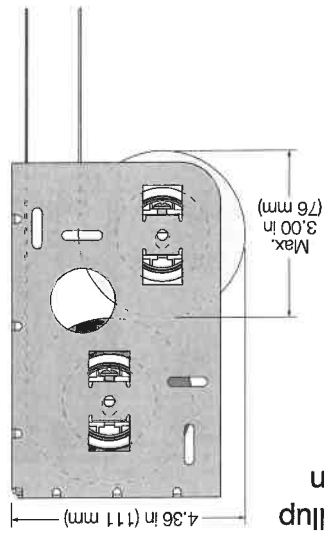


NOTE: Refer to the installation guide included with the shade for complete bracket mounting requirements.

Mounting Options



Maximum Rollup and Projection



NOTE: Pocket systems are not designed for full concealment of bottom bars. The shades' upper limits must be set to prevent the bottom bars from being drawn up into the pocket.

Installation

- Black
- Bronze
- Silver
- White

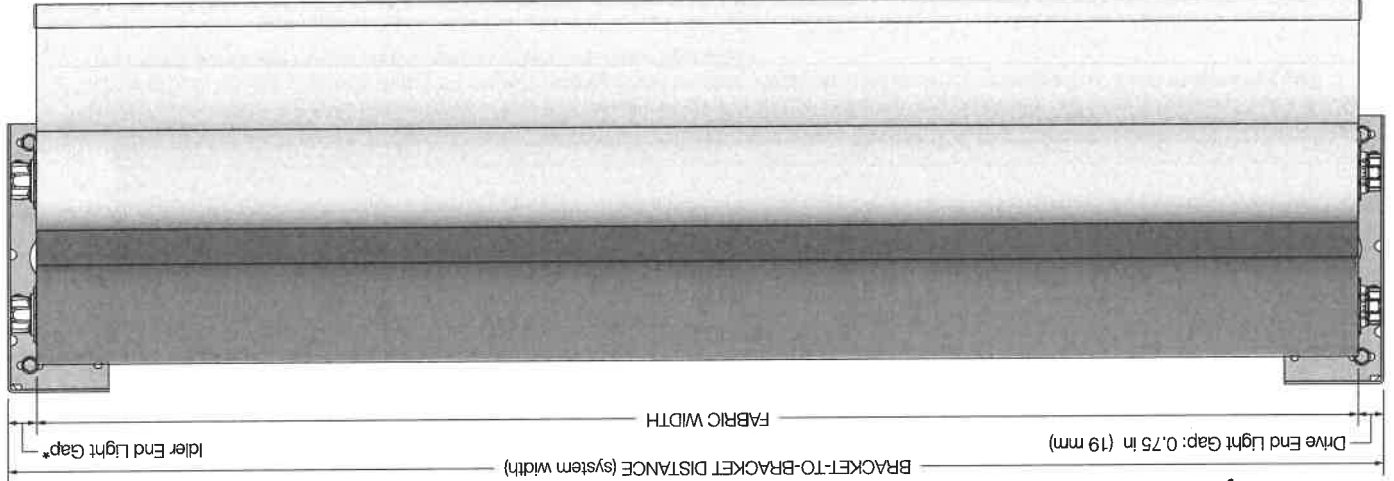
available in endcaps
Dual Pocket

9.00 in (229 mm)

6.00 in (152 mm)

2.89 in (73 mm)

Installed System



* Shades are sized according to the bracket-to-bracket distance indicated on the original order so that the spring loaded idler will be compressed to create a standard nominal 0.75 in (19 mm) light gap when both ends of the shade are engaged in the brackets. This results in safe mounting, quiet operation, and symmetrical light gaps. (The preceding statement may not apply to systems ordered with custom light gaps.)

LUTRON SPECIFICATION SUBMITTAL

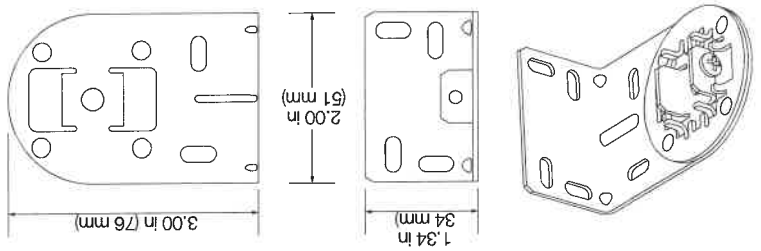
Model Numbers:

Job Name:

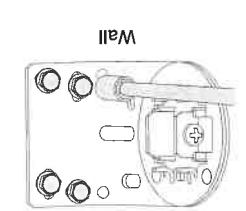
Job Number:

Bracket Options continued

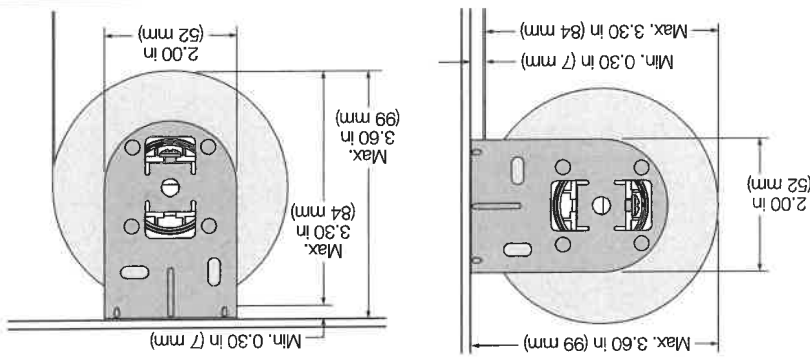
Roller 64 WDR Universal Bracket:



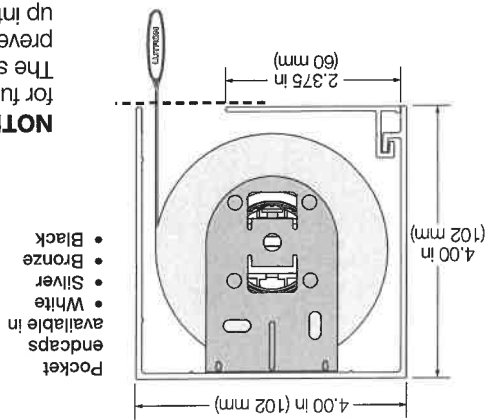
Mounting Options



Maximum Rollup and Projection

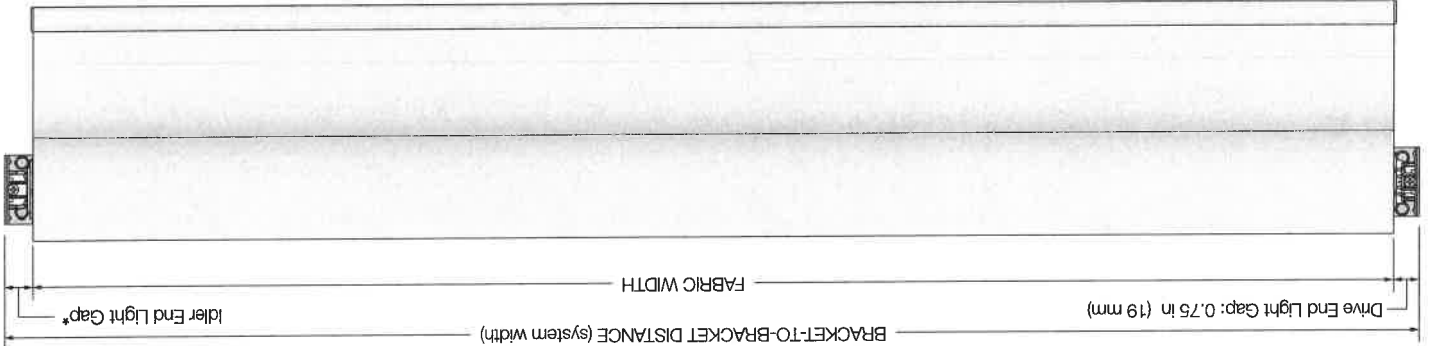


Pocket Installation



NOTE: Pocket systems are not designed for full concealment of the bottom bar. The shade's upper limit must be set to prevent the bottom bar from being drawn up into the pocket.

Installed System



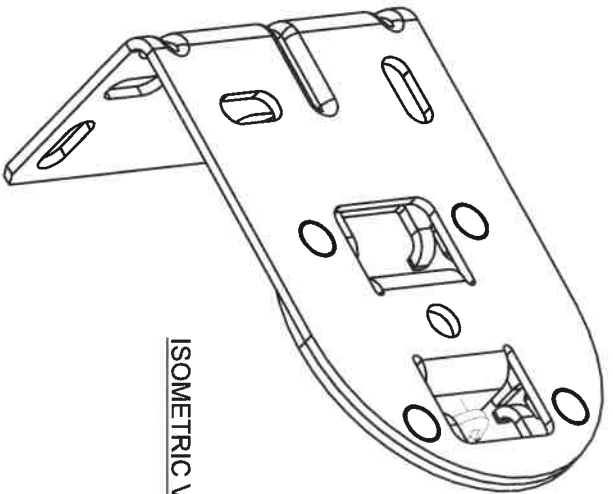
* Shades are sized according to the bracket-to-bracket distance indicated on the original order so that the spring loaded idler will be compressed to create a standard nominal 0.75 in (19 mm) light gap when both ends of the shade are engaged in the brackets. This results in safe mounting, quiet operation, and symmetrical light gaps. (The preceding statement may not apply to systems ordered with custom light gaps.)

LUTRON SPECIFICATION SUBMITTAL

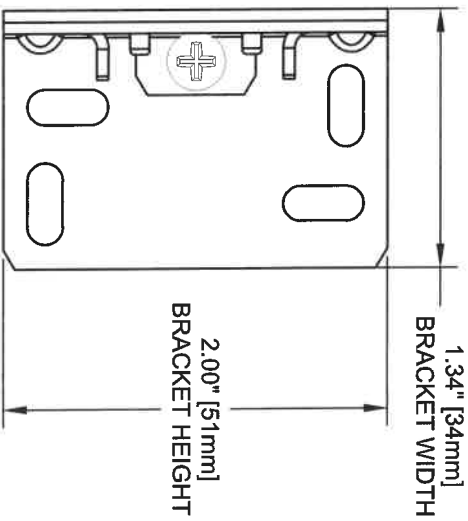
Job Name: _____

Job Number: _____

Model Numbers: _____



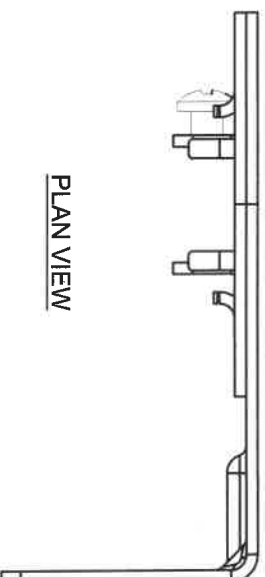
ISOMETRIC VIEW



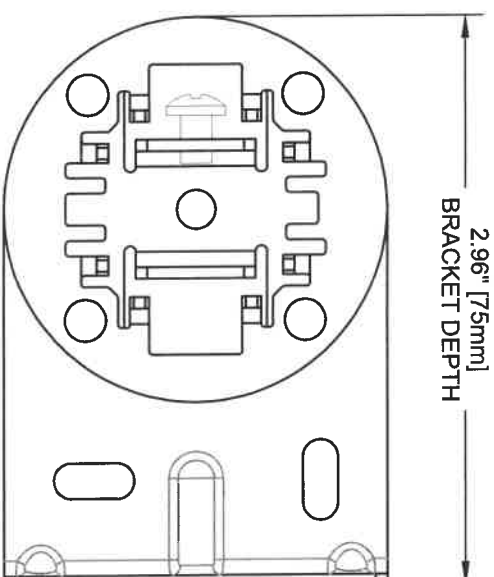
SECTION VIEW

1.34" [34mm]
BRACKET WIDTH

2.00" [51mm]
BRACKET HEIGHT



PLAN VIEW



ELEVATION VIEW

2.96" [75mm]
BRACKET DEPTH

ROLLER 64 WIDR UNIVERSAL BRACKET

SCALE: 1:1 DRAWING #: 085672 REVISION: A



Lutron Electronics Co., Inc.
7200 Suter Road | Cooperstown, PA 18036 | USA
(800) 446-1505 | Fax: (610) 282-7439
<http://www.lutron.com>

DETAIL DRAWING

PROPOSAL

W. H. H. H.

B13178 Ravencrest.

ORDER PLACED = 9/11/22

ID 3311605.16

10 W. Dwyer St. Dept. 101

Project Information

Name Torpa
Location Guernsey

Notes

Proposal

Name Proposal 13
Revision # Revision 4
Created by Leeana Taft
Created on 31-Oct-2022

Price in GBP	Price
	£22,596.51
Shipping & Handling	£413.52
Total Price	£23,010.03

£12841.60 est. R.

Summary

Dimensions specified in millimeters | Price in GBP

Line	Line Name	Description	Width	Height	Qty	Unit Cost	Ext. Cost
12	CW-0-01 (2)	Roller, Sivoia QS Wired Roller 100, M Screen 3% Linen/Stone (S2022-M-3)	1100 ✓	4520 ✓	1	£1,728.31	£1,728.31
13	CW-0-01 (3)	Roller, Sivoia QS Wired Roller 100, M Screen 3% Linen/Stone (S2022-M-3)	1095 ✓	3900 ✓	1	£1,648.05	£1,648.05
14	CW-0-01 (4)	Roller, Sivoia QS Wired Roller 100, M Screen 3% Linen/Stone (S2022-M-3)	1105 ✓	2900 ✓	1	£1,525.62	£1,525.62
All Areas > Gym							
15	D-0-07 (1)	Roller, Sivoia QS Wired Roller 64, M Screen 3% White/Linen (S0220-M-3)	1761 ✓	2500 ✓	1	£1,066.22	£1,066.22
16	D-0-07 (2)	Roller, Sivoia QS Wired Roller 64, M Screen 3% White/Linen (S0220-M-3)	1700 ✓	2500 ✓	1	£1,058.62	£1,058.62
17	D-0-07 (3)	Roller, Sivoia QS Wired Roller 64, M Screen 3% White/Linen (S0220-M-3)	1710 ✓	2500 ✓	1	£1,059.82	£1,059.82
All Areas > Master Suite							
18	Master Suite D-0-04	Roller, Sivoia QS Wired Roller 100, Basketweave 90 3% Oyster/Beige (SP13-90-3)	2821 ✓	3920 ✓	1	£2,374.50	£2,374.50
19	Master suite W-0-08	Roller, Sivoia QS Wired Roller 100, Basketweave 90 3% Oyster/Beige (SP13-90-3)	2415 ✓	1549 ✓	1	£1,104.22	£1,104.22

Total Units	19
Sub Total	£22,596.51
Shipping & Handling	£413.52
Total Price	£23,010.03

7	D-0-05 (2)	1 (A) 1230	(E) 1192	(B) 2400	Left ✓	Regular	No	No	(C) 19 (D) 19	Y
8	CW-0-02 (1)	1 (A) 835	(E) 797	(B) 1430	Left ✓	Regular	No	No	(C) 19 (D) 19	Y
9	CW-0-02 (2)	1 (A) 821	(E) 783	(B) 2070	Left ✓	Regular	No	No	(C) 19 (D) 19	Y
10	CW-0-02 (3)	1 (A) 791	(E) 752	(B) 2700	Left ✓	Regular	No	No	(C) 19 (D) 19	Y

Notes

Line Items 1, 6, 7, 8, 9, 10

Please be advised that at least one of the selected fabrics contains fiberglass, and as a result, may be susceptible to edge fray. Please refer to Lutron Application Note 411 for more details on managing edge fray. http://www.lutron.com/TechnicalDocumentLibrary/048_411.pdf

This fabric is not available for sale on shades to be installed in the State of Massachusetts.

*BioB Width and Fabric Width may have deductions because inside mount is specified.

Notes

Line Items 2, 3, 4, 5

Please be advised that at least one of the selected fabrics contains fiberglass, and as a result, may be susceptible to edge fray. Please refer to Lutron Application Note 411 for more details on managing edge fray. http://www.lutron.com/TechnicalDocumentLibrary/048_411.pdf

This fabric is not available for sale on shades to be installed in the State of Massachusetts.

*BioB Width and Fabric Width may have deductions because inside mount is specified.

Notes

Line Items 11, 12, 13, 14

Please be advised that at least one of the selected fabrics contains fiberglass, and as a result, may be susceptible to edge fray. Please refer to Lutron Application Note 411 for more details on managing edge fray. http://www.lutron.com/TechnicalDocumentLibrary/048_411.pdf

This fabric is not available for sale on shades to be installed in the State of Massachusetts.

*BioB Width and Fabric Width may have deductions because inside mount is specified.

Notes

Line Items 15, 16, 17

Please be advised that at least one of the selected fabrics contains fiberglass, and as a result, may be susceptible to edge fray. Please refer to Lutron Application Note 411 for more details on managing edge fray. http://www.lutron.com/TechnicalDocumentLibrary/048_411.pdf

This fabric is not available for sale on shades to be installed in the State of Massachusetts.

*Blot Width and Fabric Width may have deductions because inside mount is specified.

Notes

Line Items 18, 19

Please be advised that at least one of the selected fabrics contains fiberglass, and as a result, may be susceptible to edge fray. Please refer to Lutron Application Note 411 for more details on managing edge fray. http://www.lutron.com/TechnicalDocumentLibrary/048_411.pdf

This fabric is not available for sale on shades to be installed in the State of Massachusetts.

*BioB Width and Fabric Width may have deductions because inside mount is specified.



Order Details

Order # 24110455

PO # SO13178
RAVENSCROFT

Order Date	02-Nov-2022	Shipping Address	UNIT 28 RUE DES PRES TRADING ESTATE ST. SAVIOUR, JE2 7QN JE
Status	Shipped		
Ordered by	C.P. INTERIORS @ JERSEY		

Shipped: 09-Nov-2022 22 item(s) From: ASHLAND, VA Tracking #: CH Robinson

Line #	Model #/Product Name	Qty
1.000	QSSR-S10A13 SIVOIA QS ROLLER 64	1
2.000	QSSR-S10A13 SIVOIA QS ROLLER 64	1
3.000	QSSR-S10A13 SIVOIA QS ROLLER 64	1
4.000	QSSR-S10A13 SIVOIA QS ROLLER 64	1



Order Details

Line #	Model #/Product Name	Qty
5.000	QSSR-S10A13 SIVOIA QS ROLLER 64	1
6.000	QSSR-S10A13 SIVOIA QS ROLLER 64	1
7.000	QSSR-S10A13 SIVOIA QS ROLLER 64	1
8.000	QSSR-S10A13 SIVOIA QS ROLLER 64	1
9.000	QSSR-S10A13 SIVOIA QS ROLLER 64	1
10.000	QSSR-S10A13 SIVOIA QS ROLLER 64	1



Order Details

Line #	Model #/Product Name	Qty
11.000	QSSR-S30A20 SIV QS 100 ROLLER	1
12.000	QSSR-S30A20 SIV QS 100 ROLLER	1
13.000	QSSR-S30A20 SIV QS 100 ROLLER	1
14.000	QSSR-S30A20 SIV QS 100 ROLLER	1
15.000	QSSR-S10A13 SIVOIA QS ROLLER 64	1
16.000	QSSR-S10A13 SIVOIA QS ROLLER 64	1



Order Details

Line #	Model #/Product Name	Qty
17.000	QSSR-S10A13 SIVO1A QS ROLLER 64	1
18.000	QSSR-S30A20 SIV QS 100 ROLLER	1
19.000	QSSR-S30A20 SIV QS 100 ROLLER	1
20.000	045616 ROLLER 20/64 STD/DUAL INSTALL	2
21.000	2661037 R64 PROGRAMMING STYLUS - ABS	2
22.000	045786 R100 WALL CEILING JAMB LS1	1