



Delivered by DSV Road Limited



SO1CI-BEX74

Deliver
CP INTERIORS
RUE DES PRESS TRADING EST
JE2 7QPST SAVIOUR
JERSEY

Phone +441534768141
Delv. --
Delv. Time
Ref 202635978

Contact JENNIFER POTTER
Phone +44 (0) 1489 563195

Page 2(3)

Shipper
XXX WEINOR GMBH & CO. KG
MATHIAS-BRUEGGEN-STR. 110
DE-50829 KOELN OSSENDORF
GERMANY

DELIVERY ADVICE

Consignee
CP INTERIORS
RUE DES PRESS TRADING EST
JE2 7QPST SAVIOUR
JERSEY

Date 2022-04-26
Reference SOJE32-5260 SO1CI-BEX74
Terms FREE ON BOARD
F.O.B.
JERSEY
Originating member EBOO

Coll. 2022-04-25/
Unit.no DSV2007

Haulier -
Reg.no.

3012619
March

28-4-22

RECEIVED RECEIVED
28 APR 2022 28 APR 2022
SCANNED SCANNED

RECEIVED
28 APR 2022
SCANNED

DELIVERY ADVICE

Marks & Nos	No.of	Pkg.	Contents	Weight kg	Volume
	1	CTN	BLINDES	GW 103	0.627 CBM
	1	CLL	BLINDES	GW	



Delivered by DSV Road Limited



SO1CI-BEX74

Deliver
CP INTERIORS
RUE DES PRESS TRADING EST
JE2 7QPST SAVIOUR
JERSEY

Phone +441534768141
Delv. --
Delv. Time
Ref 202635978

Contact JENNIFER POTTER
Phone +44 (0) 1489 563195

Page 3(3)

Shipper
XXX WEINOR GMBH & CO. KG
MATHIAS-BRUEGGEN-STR. 110
DE-50829 KOELN OSSENDORF
GERMANY

DELIVERY ADVICE

Consignee
CP INTERIORS
RUE DES PRESS TRADING EST
JE2 7QPST SAVIOUR
JERSEY

Date 2022-04-26
Reference SOJE32-5260 SO1CI-BEX74
Terms FREE ON BOARD
F.O.B.
JERSEY
Originating member EBOO

Coll. 2022-04-25/
Unit.no DSV2007

Haulier -
Reg.no.

DELIVERY ADVICE

All business is transacted according to trading conditions that exclude or limit the liability of the company in certain circumstances. A copy of the relevant set of conditions will be supplied upon request.

202635978

Marks & Nos	No.of	Pkg.	Contents	Weight	KG	Volume
	2	PCS	BLINDES	GW	103	0.627 CBM
				NW	103	
				EW	208	
DSV-EURPLL _____ pcs. RETURN TO DSV						

weinor Ltd 73 Cornhill EC3V 3QQ London

C P Interiors

**Rue Des Pres Trading Estate
GB-JE2 7QN St Saviour Jersey**

delivery address

DSV Road Ltd

10 Brunel Way, Segensworth Industrial Estate
GB-PO15 5TX Hampshire, Fareham

ORDER CONFIRMATION (release 1)

sales order no.:	202635978 of 23.12.2021
customer:	165708
reference:	March LED 3.5m SO12619
Your order no.:	
contact person:	William Abbott
E-Mail	WAbbott@weinor.de
phone number:	+49-221-59709-472
representat.	654 Chris Spickett
tel (representat.):	0044 (0) 7894443907

Dear Weinor Partner,

with immediate effect our new bank account for the weinor Ltd. is active and can be used !

We kindly ask you to send and place all payment in the favour of weinor Ltd. to the following Bank Details.

Commerzbank London
Sort Code: 406201
Account Number: 307 537 10
In favour of : Weinor Ltd.

Thank you very much for your support.

weinor Ltd 73 Cornhill EC3V 3QQ London

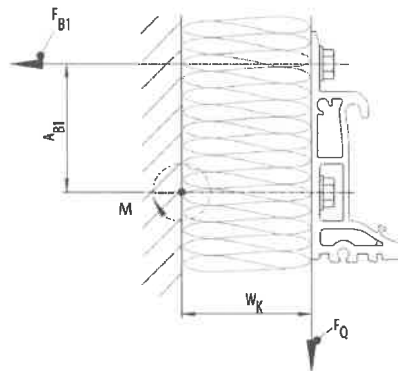
customer: 165708 sales order 202635978

Page 3 of 6

pos	quantity	article code
-----	----------	--------------

3	1,00	1894	Opal Design II LED
---	------	------	--------------------

Product use	:	private house	
width [cm]	:	535	cm
Projection [cm]	:	350	cm
			3.691,00
Basic colour	:	WT029/80077 Approx. DB 703 Metallic	
Folding arm design	:	Arm with LongLife technology and high-tech belt	
Number of shiner (total)	:	9	Piece
no. of arms	:	2	arms
bracket type 1	:	wall bracket compl. 300 mm Opal Design II	
number of brackets 1	:	2	Piece
			92,00
Bracket type 2	:	wall fixing 150 mm Opal Design II	
number of brackets 2	:	1	Piece
			34,00



FB1 Force 1 per fixing point	:	3015	N
M = Torque per folding arm	:	1085	Nm
FQ = Shear force per fixing	:	62	N

Please note that your selected awning configuration results in the following forces per upper fixing point (pull-out, lateral and/or shear forces). These must be accounted for by using suitable fixings.

bracket position left 1st array	:	56,5	cm
bracket position centre 1st array	:	267,5	cm

weinor Ltd
73 Cornhill
GB-EC3V 3QQ London
weinor.com

Managing Director:
Thilo Weiermann
General partner:
Weinor Beteiligungs-GmbH
Köln

VAT no.: 335 2381 16
Company no.: 12193066
UTR no.: 33431 24084
EORI no.: GB335238116000

Domestic transfers:
Commerzbank London
Sort Code: 406201
Account Number: 307 537 10

International transfers:
Commerzbank London
IBAN: GB51 COBA 4062 0130 7537 10
Swift: MIDLGB22 a/c COBAGB2X

weinor Ltd 73 Cornhill EC3V 3QQ London

customer: 165708 sales order 202635978

Page 5 of 6

pos	quantity	article code
-----	----------	--------------

4	1,00	1950 Tempura
---	------	--------------

Do you already have a Tempura and would like an additional one?

Due to a shortage of materials, we currently use an alternative heating tube for the Tempura.

The new tube has a slightly different colour than the tube used to-date. Please let us know so that we have a uniform colour effect for your Tempuras.

Execution	: Tempura 1,5 KW	
Product use	: private house	
Utilisation	: for type Opal	
width	: 50	cm 478,00
with remote control BiConnect	: Yes! Please remind the separate order!	
Information on BiConnect	: The BiConnect has been done in 202635978 position 2!	
designer receiver bar 330 mm operation	: yes	41,00
	: Birec remote receiver, dimmable Please remember separate entry of data	
access	: Hirschmann plug (standard)	
Basic colour	: WT029/80077 Approx. DB 703 Metallic	
	:	
weight	: 2	kg
Material cost surcharge 4,9%	: on gross position value: 519 £	25.43

value of goods	discount amount / %	net
544,43	217,77 / 40,00	326,66

value of goods	discount amount	net	VAT (0 %)	Total GBP
5.447,79	2.179,11	3.268,68	0,00	3.268,68

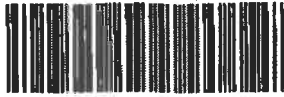
weinor Ltd
73 Cornhill
GB-EC3V 3QQ London
weinor.com

Managing Director:
Thilo Weiermann
General partner:
Weinor Beteiligungs-GmbH
Köln

VAT no.: 335 2381 16
Company no.: 12193066
UTR no.: 33431 24084
EORI no.: GB335238116000

Domestic transfers:
Commerzbank London
Sort Code: 406201
Account Number: 307 537 10

International transfers:
Commerzbank London
IBAN: GB51 COBA 4062 0130 7537 10
Swift: MIDLGB22 a/c COBAGB2X



weinor Ltd 73 Cornhill EC3V 3QQ London

delivery note 223099436

Date of Print: 05.04.2022

delivery address

DSV Road Ltd

C P Interiors**Rue Des Pres Trading Estate**

GB-JE2 7QN St Saviour Jersey

10 Brunel Way, Segensworth Industrial Estate
GB-PO15 5TX Hampshire, Fareham

England



202635978

phone number: 0044-1534-768141
customer: 165708
representat: 654 Chris Spickett
tel (representat.): 0044 (0) 7894443907sales order no.: 202635978
order date: 23.12.2021
reference: March LED 3.5m SO12619
Your order no.:**pos quantity article code**

2 1 2557 BiConnect

Anticipated delivery : 11.04.2022
Number of packages : 0The BiConnect has been packed with pos
202635978/3!

3 1 1894 Opal Design II LED

Anticipated delivery : 11.04.2022
Number of packages : 1
weight : 102,3 kg
External dimensions : 535X350

4 1 1950 Tempura

Execution : Tempura 1,5 KW
Anticipated delivery : 11.04.2022
Number of packages : 1
weight : 2 kg
External dimensions : 50weinor Ltd
73 Cornhill
GB-EC3V 3QQ London
weinor.comManaging Director:
Thilo Weiermann
General partner:
Weinor Beteiligungs-GmbH
KölnVAT no.: 335 2381 16
Company no.: 12193066
UTR no.: 33431 24084
EOR no.: GB335238116000**Domestic transfers:**
Commerzbank London
Sort Code: 406201
Account Number: 307 537 10**International transfers:**
Commerzbank London
IBAN: GBS1 COBA 4062 0130 7537 10
Swift: MID1GB22 a/c COBAG82X

weinor Ltd 73 Cornhill EC3V 3QQ London

pos	quantity	article code
-----	----------	--------------

mode of dispatch UK export

date	signature
------	-----------

delivery	exw Cologne
weight	104,3 kg
package	2 Stk.

weinor Ltd
73 Cornhill
GB-EC3V 3QQ London
weinor.com

Managing Director:
Thilo Weiermann
General partner:
Weinor Beteiligungs-GmbH
Köln

VAT no.: 335 2381 16
Company no.: 12193066
UTR no.: 3343124084
EORI no.: GB335238116000

Domestic transfers:
Commerzbank London
Sort Code: 406201
Account Number: 30753710
International transfers:
Commerzbank London
IBAN: GB51 COBA 4062 0130 7537 10
Swift: MID1GB22 a/c COBAGB2X



weinor Ltd 73 Cornhill EC3V 3QQ London

delivery note 223099436

Date of Print: 05.04.2022

delivery address

DSV Road Ltd

C P Interiors

Rue Des Pres Trading Estate

GB-JE2 7QN St Saviour Jersey

10 Brunel Way, Segensworth Industrial Estate

GB-PO15 5TX Hampshire, Fareham

England



202635978

phone number: 0044-1534-768141
 customer: 165708
 representat: 654 Chris Spickett
 tel (representat.): 0044 (0) 7894443907

sales order no.: 202635978
 order date: 23.12.2021
 reference: March LED 3.5m SO12619
 Your order no.:

pos quantity article code

2 1 2557 BiConnect

Anticipated delivery : 11.04.2022
 Number of packages : 0

The BiConnect has been packed with pos 202635978/3!

3 1 1894 Opal Design II LED

Anticipated delivery : 11.04.2022
 Number of packages : 1
 weight : 102,3 kg
 External dimensions : 535X350

4 1 1950 Tempura

Execution : Tempura 1,5 KW
 Anticipated delivery : 11.04.2022
 Number of packages : 1
 weight : 2 kg
 External dimensions : 50

weinor Ltd
 73 Cornhill
 GB-EC3V 3QQ London
 weinor.com

Managing Director:
 Thilo Weiermann
 General partner:
 Weinor Beteiligungs-GmbH
 Köln

VAT no.: 335 2381 16
 Company no.: 12193066
 UTR no.: 33431 24084
 EORI no.: GB335238116000

Domestic transfers:
 Commerzbank London
 Sort Code: 408201
 Account Number: 307 537 10

International transfers:
 Commerzbank London
 IBAN: GB51 COBA 4062 0130 7537 10
 Swift: MIDLGB22 a/c COBAGB2X

weinor Ltd 73 Cornhill EC3V 3QQ London

pos quantity article code

mode of dispatch UK export

date signature

delivery exw Cologne

weight 104,3 kg

package 2 Stk.

weinor Ltd
73 Cornhill
GB-EC3V 3QQ London
weinor.com

Managing Director:
Thilo Weiermann
General partner:
Weinor Beteiligungs-GmbH
Köln

VAT no.: 335 2381 16
Com. party no.: 12193066
UTR no.: 33431 24084
EORI no.: GB335238116000

Domestic transfers:
Commerzbank London
Sort Code: 406201
Account Number: 307 537 10

International transfers:
Commerzbank London
IBAN: GB51 COBA 4062 0130 7537 10
Swift: MID1GB22 a/c COBAGB2X