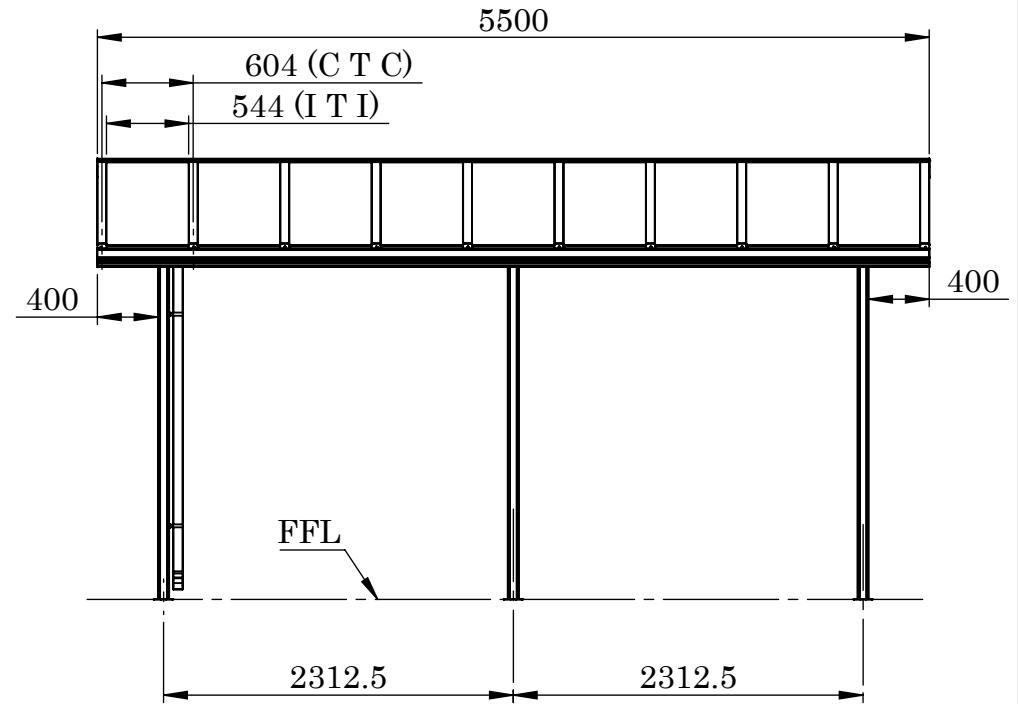
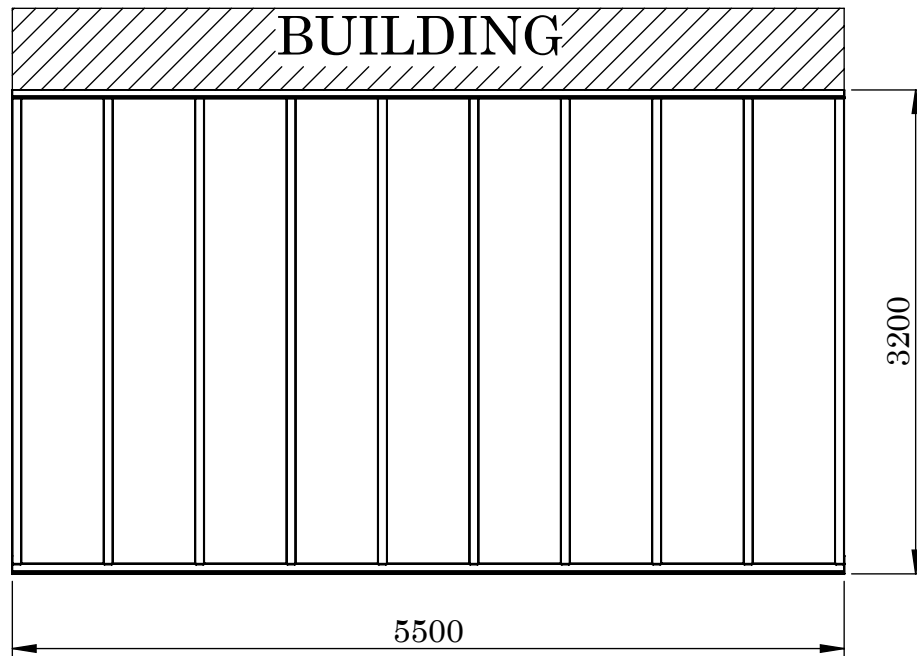
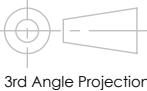


FRONT VIEW & ROOF TOP VIEW WITH BUILDING

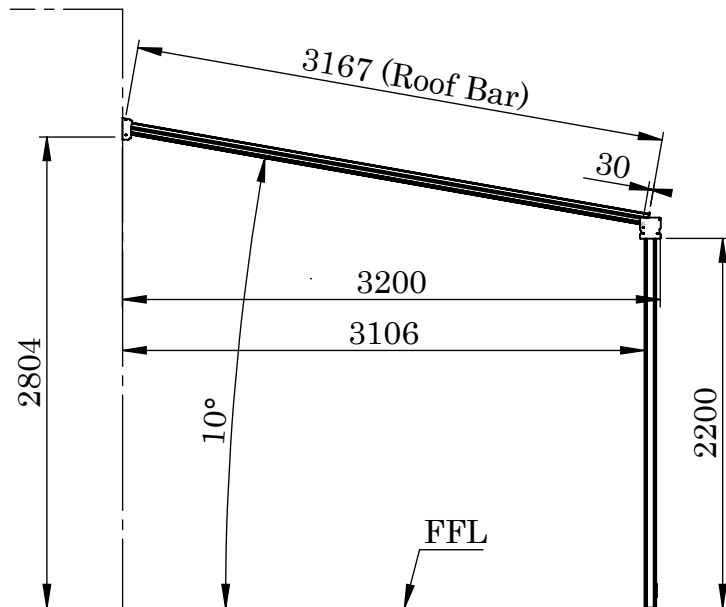
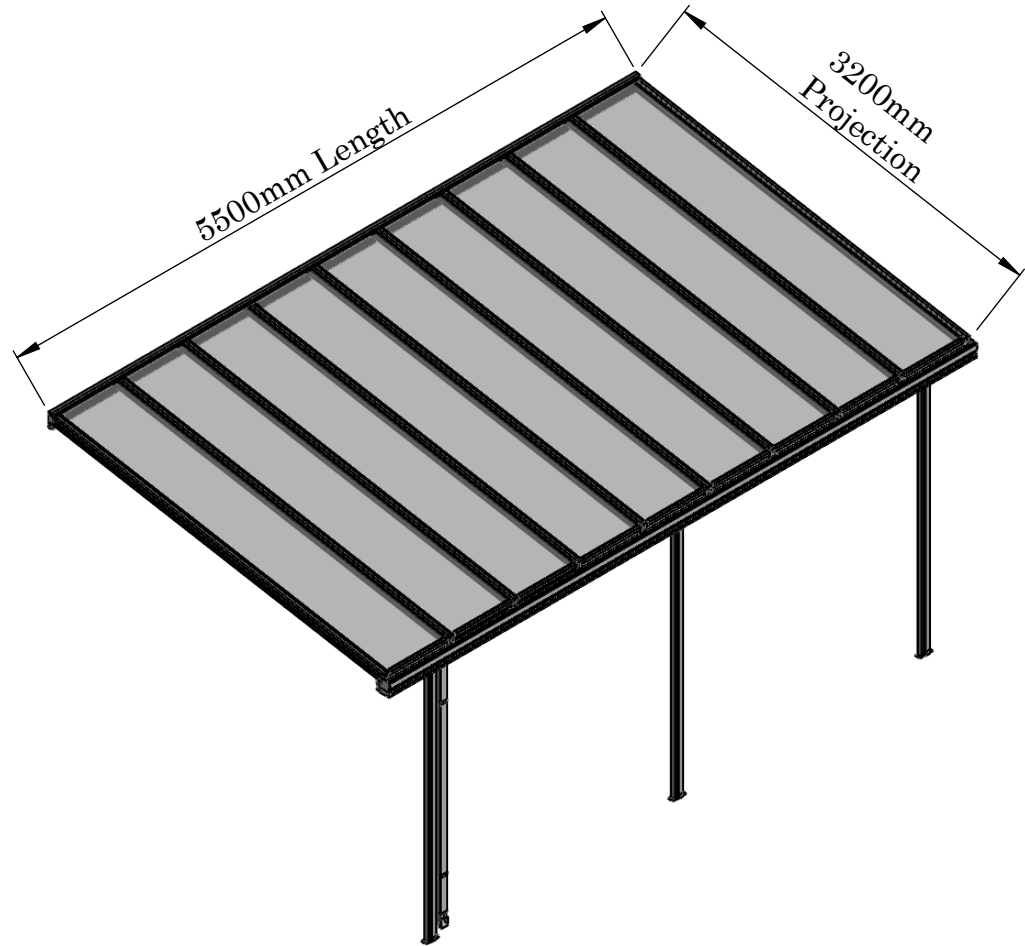
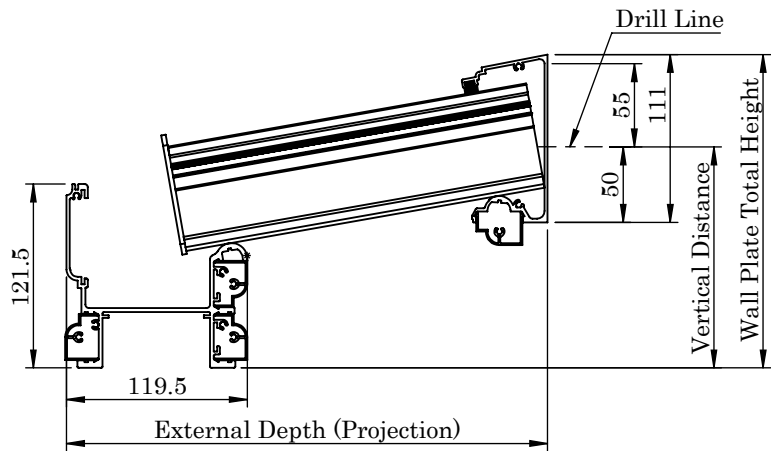


Attention: This is a CAD drawing for reference only.
For Installation instructions, please refer to the install guide.

Finish : Powder Coated To White Semi Gloss.
Glass : 6mm Self Cleaning Activ Clear Glass Roof Panels.
Total Weight : 367.20 KG.
Glass Weight : 249.68 KG.
Aluminium Weight : 117.52 KG.

Customer Reference : SO11925 Chamberlain	Drawing Title : cp Interiors					
Customer Sign :	Product Name : Simplicity 6					
Order No. :	 3rd Angle Projection	Page 1 OF 8	Date 18/08/21	Page Size A4 (L)	Scale NTS	Drawn MK
	Finish PPC	Issuer ACS	(Tol) +/- 1 mm	Sequence 000001	Revision v1.0	

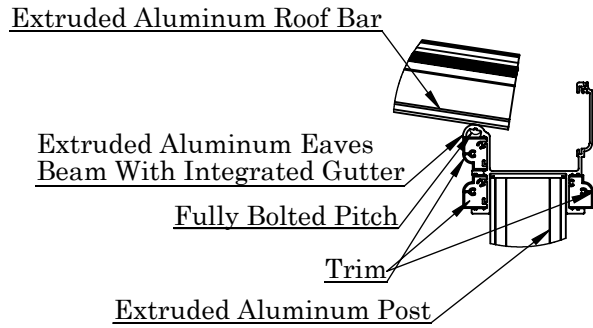
CROSS SECTION VIEW & ISOMETRIC VIEW



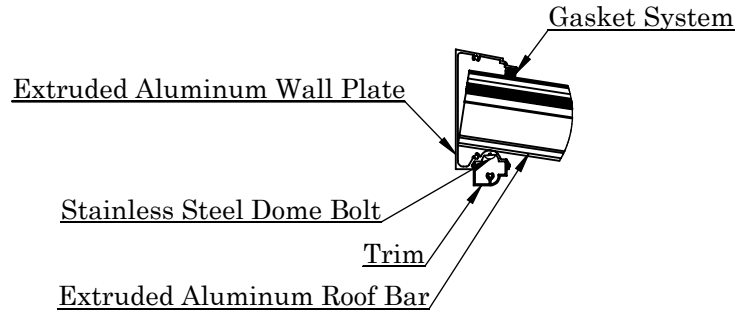
Customer Reference : SO11925 Chamberlain	Drawing Title : cp Interiors					
Customer Sign :	Product Name : Simplicity 6					
Order No. :	Page 2 OF 8	Date 18/08/21	Page Size A4 (L)	Scale NTS	Drawn MK	Revision v1.0
Finish PPC	Issuer ACS	(Tol) +/- 1 mm	Sequence 000001			

PRODUCT DETAIL

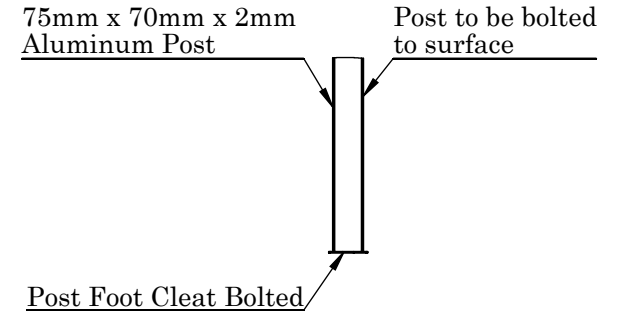
Eaves Beam Roof Bar & Post Section



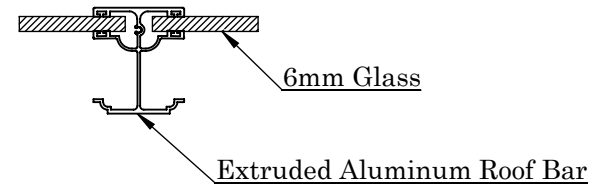
Wall Plate & Roof Bar Section

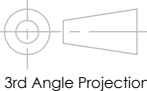


Base & Post Connection Information

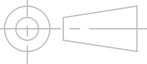


Roof Bar & Sheet Section



Customer Reference : SO11925 Chamberlain	Drawing Title : cp Interiors					
Customer Sign :	Product Name : Simplicity 6					
Order No. :	 3rd Angle Projection	Page 3 OF 8	Date 18/08/21	Page Size A4 (L)	Scale NTS	Drawn MK
	Finish PPC	Issuer ACS	(Tol) +/- 1 mm	Sequence 000001	Revision v1.0	

CUTTING & PICKING LIST OF STOCKED ITEMS REQUIRED

General Table							RAL Code :	White				
ITEM NO.	CUTTING LIST				Cut	Checked	Delivered	Colour & Finish of Canopy :				
	PRODUCT CODE	DESCRIPTION	QTY.	LENGTH								
1	S6/MainBar	Sim 6 Main Bar	8	3167mm				Semi Gloss				
2		Sim 6 Lens Glazing Bar	0									
3		Plastic Lens for Glazing Bar	0									
4	S6/EndBar	Sim 6 End Bar	2	3167mm								
5	S6&16/Wall Plate	Sim 6 & 16 Wall Plate	1	5500mm								
6	S6&16/Wall Plate	Sim 6 & 16 Wall Plate	0									
7	S6&16/Gutter	Sim 6 & 16 Gutter	1	5500mm								
8	S6&16/Gutter	Sim 6 & 16 Gutter	0									
9	S6/Trim	Sim 6 Gutter & Wall Plate Trim	4	5500mm								
10	S6/Trim	Sim 6 Gutter & Wall Plate Trim	0									
11	S6/FSection	Sim 6 F Section 6mm	9	544mm								
12	S6/FSection	Sim 6 F Section 6mm	0									
13	S6&16/Standard Post	Sim 6 & 16 Standard Post	3	3000mm								
14	S6&16/SquarePost	Sim 6 & 16 Square Post	0									
15	SimX/Post	Simplicity Xtra Post	0									
16	SimX/Post	Simplicity Xtra Post	0									
17	GS6&16/SquarePost	Grey Sim 6 & 16 Square Post	0									
18	Drainage/DPWhite	White Square Downpipe 5.5m	1	2750mm								
19	Drainage/DPBlack	Black Square Downpipe 5.5m	0									
20	Casting/GB220	Gallows Bracket 220mm x 220mm	0									
21	Casting/GB300	Gallows Bracket 300mm x 300mm	0									
22	Casting/GB450	Gallows Brackets 450mm x 450mm	0									
23	S6/GutterInfill	Sim 6 Gutter Infill	2	2235mm								
24	S6/GutterInfill	Sim 6 Gutter Infill	2	398mm								
25	Casting/VBase	Victorian Base Casting 6 & 16	0									
							System Delivery Address					
							Address	CP Interiors, Rue des pres trading estate, St Saviour, Jersey				
							Post Code	JE2 7QN				
							Post Code for installation					
							Delivery Date :					
Warehouse			Customer Reference : SO11925 Chamberlain			Drawing Title : cp Interiors						
Checked By :			Customer Sign :			Product Name : Simplicity 6						
			Order No. :			 3rd Angle Projection		Page 4 OF 8	Date 18/08/21	Page Size A4 (L)	Scale NTS	Drawn MK
						Finish PPC	Issuer ACS	(Tol) +/- 1 mm	Sequence 000001	Revision v1.0		

CUTTING & PICKING LIST OF STOCKED ITEMS REQUIRED

PICKING LIST				Packed	Checked	Delivered
26	S6&16/BEPL	Sim 6 & 16 Main Bar End Plate	8			
27	S6/BarEndPlateOSH	Sim 6 & 16 Bar End Plate Off Set Hole	2			
28	S6/WPEP	Sim 6 Wall Plate End Plate	2			
29	S6/GEPL	Sim 6 Gutter End Plate	2			
30	S6&16/EAJoiner1	Sim 6 & 16 18 x 300 Gutter Joiner	0			
31	S6&16/EAJoiner2	Sim 6 & 16 61.5 x 300 Gutter Joiner 2	0			
32	S6&16/EAJoiner3	Sim 6 & 16 70 x 300 Gutter Joiner 3	0			
33	S6&16/CornerPlate	Sim 6 & 16 L Shape Flat Plate For Return Gutter	0			
34	S6&16/PostBracket1	Sim 6 & 16 In Ground Post Bracket	0			
35	S6&16/PostBracket2	Sim 6 & 16 Bolt To Ground Post Bracket	3			
36		Sim Xtra Post End Plate	0			
37	SimX/BTGBracket	Sim Xtra Bolt To Ground Bracket	0			
38	Drainage/DPShoeWhite	White Down Pipe Shoe	1			
39	Drainage/DNAS/001	White Square Bend 90 degrees	0			
40	Drainage/DPSBend112W	112 Degree Square Downpipe Bend White	0			
41	Drainage/SFPC/WHITE	Single Fix square Downpipe Clip White	2			
42	Drainage/DPSBlack	Black Down Pipe Shoe	0			
43	Drainage/DPBBlack	Black Square Bend 90 degrees	0			
44	Drainage/DPSBend112B	112 Degree Square Downpipe Bend Black	0			
45	Drainage/SFPCBlack	Single Fix Square Downpipe Clip Black	0			
46	Drainage/40mm/Bend	40mm Internal Kit Swivel Bend	0			
47	Drainage/40mm/Joiner	40mm Internal Kit Straight Joiner	0			
48	Drainage/40mm/Pipe	40mm Internal Kit Down Pipe 3m	0			
49	Drainage/40mm/BendB	40mm Internal Kit Swivel Bend Black	0			
50	Drainage/40mm/JoinerB	40mm Internal Kit Straight Joiner Black	0			
51	Drainage/40mm/PipeB	40mm Internal Kit Down Pipe 3m Black	0			
52	Drainage/Spigot	Downpipe Spigot	1			
53	Silicone/SILC/001	Soudall White	1			
54	Silicone/SILC/002	Soudall Black	0			

	Warehouse	Customer Reference : SO11925 Chamberlain	Drawing Title : cp Interiors			
	Checked By :	Customer Sign :	Product Name : Simplicity 6			
	Order No. :	Finish PPC	Page 5 OF 8	Date 18/08/21	Page Size A4 (L)	Scale NTS
			Issuer ACS	(Tol) +/- 1 mm	Sequence 000001	Revision v1.0

CUTTING & PICKING LIST OF STOCKED ITEMS REQUIRED

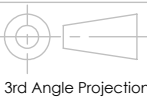
55	Fastener 25	M6 X 20MM SS pan/pozi screws a4	48			
56	Fastener 04	No12 X 1.1/4 HEX SD SCS A2	52			
57	Fastener 13	no 10 x 1 hex self tapper ab zp din.7976c zinc plated	26			
58	Fastener 05	M6 NYLOC INSERT NUT ST/ST A4	48			
59	Fastener 51	M5 Black Domed Hex Head Cap	0			
60	Fastener 52	M5 White Domed Hex Head Cap	78			
61	Spraycan	Spray Can	1			
62	Sleeving/6INCHPVC	6" PVC Lay Flat Tubing	1	47000mm		
63	Sleeving/10INCHPVC	10" PVC Lay Flat Tubing	1	11000mm		
64	S6/WPG	Wall Plate Gasket	1	5500mm		
65	S6/GBGKT	Sim 6 Glazing Bar Top Gasket	20	3167mm		
66	S6/GBGKB	Sim 6 Glazing Bar Bottom Gasket	20	3167mm		
67	S6/PlasticJoiner	Black Plastic Joiner	0			
68	S6/PolyInfill	6mm Solid Clear Infill 600mm x 400mm	0			
69		Cutting List		2		
70		Simplicity 6 Installation Guide(Emailed)		1		
71	Glass/6MMACBLUE	6mm Self Cleaning Activ Blue Glass	0			
72	Glass/6MMACCLEAR	6mm Self Cleaning Activ Clear Glass	9	Length-3167mm x Width-584mm		
73	Glass/6MMBLUE	6mm Blue Tinted Glass	0			
74	Glass/6MMBRONZE	Bronze Tinted Glass	0			
75	Glass/6MMGREEN	6mm Green Tinted Glass	0			
76	Glass/6MMGREY	6mm Grey Tinted Glass	0			
77	Glass/6MMTOUGH	6mm Clear Glass	0			
78		6mm Glass Size	0			

	Warehouse	Customer Reference : SO11925 Chamberlain	Drawing Title : cp Interiors			
	Checked By :	Customer Sign :	Product Name : Simplicity 6			
	Order No. :	Finish PPC	Page 6 OF 8	Date 18/08/21	Page Size A4 (L)	Scale NTS
			Issuer ACS	(Tol) +/- 1 mm	Sequence 000001	Revision v1.0

CUTTING & PICKING LIST OF STOCKED ITEMS REQUIRED

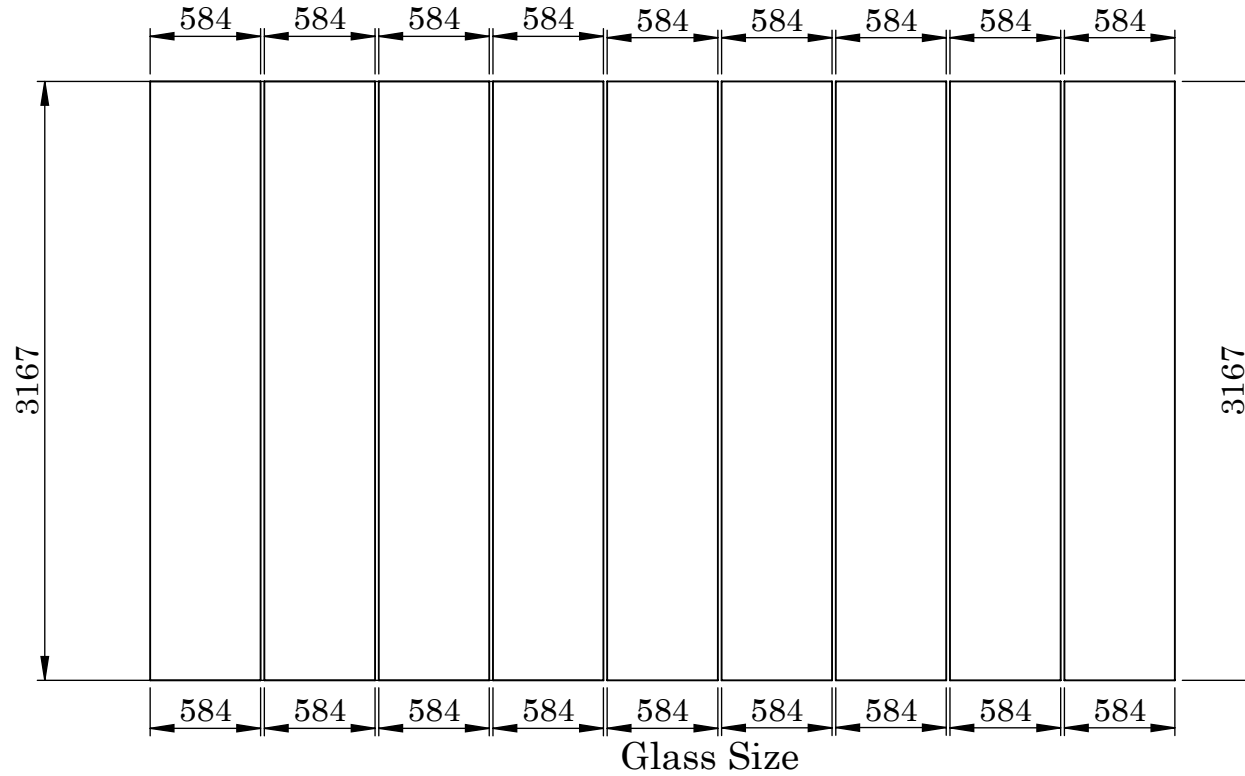
SPECIAL ITEMS TO BE ORDER IN


1	Lighting/Adhesive	LED Strip Adhesive Tape	0				
2	Lighting/AFEC/001	Lighting channel end cap	0				
3	Lighting/AFLC/001	Lighting Channel	0				
4	Lighting/Electrical Box	Electrical Box	0				
5	Lighting/LED Lighting	LED Lighting Strip 5m Roll	0				
6	Lighting/LED Lighting	LED Lighting Strip 5m Roll	0				
7	Lighting/LED Remote Control	LED Remote Control	0				
8	Lighting/LED Transormer	LED Transformer	0				
9	Lighting/PolyStrip	Poly Lighting Strip Insert	0				
10	Lighting/Square Light Channel	Square Light Channel	0				
11	Lighting/Square Light Channel End Plate	Square Light Channel End Plate	0				
12	Heater/1950B	Infrared Heaters Black	0				
13	Heater/1950W	Infrared Heaters White	0				
14	Heater/ModularBlack	Modular Heaters Black	0				
15	Heater/ModularGrey	Modular Heaters Grey	0				
16	Heater/ModularWhite	Modular Heaters White	0				
17	Heater/TBracket	T Bracket For Modular Heaters	0				
18		Relax Glass Heaters	0				
19		Lighting Remote Control 4 Channel	0				
20		Lighting Receiver	0				
21		Lighting Driver 200W	0				
22		Lighting Driver 100W	0				
23		Lighting 3.5M RGBW	0				
24		Electrical Box	0				

	Warehouse	Customer Reference : SO11925 Chamberlain	Drawing Title : cp Interiors				
	Checked By :	Customer Sign :	Product Name : Simplicity 6				
	Order No. :	 <small>3rd Angle Projection</small>	Page 7 OF 8	Date 18/08/21	Page Size A4 (L)	Scale NTS	Drawn MK
		Order No. :	Finish PPC	Issuer ACS	(Tol) +/- 1 mm	Sequence 000001	Revision v1.0

Glass Detail

Glass Type	6mm Self Cleaning Activ Clear Glass
No Of Glass Panel	9
Glass m ²	16.64 m ²



Warehouse	Customer Reference : SO11925 Chamberlain	Drawing Title : cp Interiors					
		Product Name : Simplicity 6					
Checked By :	Customer Sign :	 <small>3rd Angle Projection</small>	Page 8 OF 8	Date 18/08/21	Page Size A4 (L)	Scale NTS	Drawn MK
	Order No. :		Finish PPC	Issuer ACS	(Tol) +/- 1 mm	Sequence 000001	Revision v1.0