



Delivered by DSV Road Limited



SO1CI-AV805

Deliver
CP INTERIORS
RUE DES PRESS TRADING EST
JE2 7QPST SAVIOUR
JERSEY

Phone +441534768141
Delv. --
Delv. Time
Ref L'HORIZON HOTEL AND STOCK

Contact JENNIFER POTTER
Phone +44 (0) 1489 563195

Page 2(2)

Shipper
XXX WEINOR GMBH & CO. KG
MATHIAS-BRUEGGEN-STR. 110
DE-50829 KOELN OSSENDORF
GERMANY

DELIVERY ADVICE

Consignee
CP INTERIORS
RUE DES PRESS TRADING EST
JE2 7QPST SAVIOUR
JERSEY

Date 2021-10-26
Reference SOJE32-4933 SO1CI-AV805
Terms FREE ON BOARD
F.O.B.
JERSEY
Originating member EBOO

Coll. 2021-10-25/
Unit.no 15581X

Haulier -
Reg.no.

L'horizon
28-10-21

SO11721

3x BOXES

DELIVERY ADVICE

All business is transacted according to trading conditions that exclude or limit the liability of the company in certain circumstances. A copy of the relevant set of conditions will be supplied upon request.

L'HORIZON HOTEL AND STOCK

Marks & Nos	No.of	Pkg.	Contents	Weight	KG	Volume
	3	CLL	INTERIOR SUPPLIES	GW	20	0.132 CBM
				NW	20	
				EW	43	

DSV-EURPLL ____ pcs. RETURN TO DSV

Leeana Taft

From: Leeana Taft
Sent: 02 September 2021 16:37
To: Weinor (order@weinor.de) 8011721
Subject: L'horizon Hotel & stock
Attachments: parts required for L'horizon hotel - Bearing.pdf; Heater parts for l'horizon.pdf

Hi

Please can we have parts as attached

Heater drawing

6 x quadra lamps (no. 8)

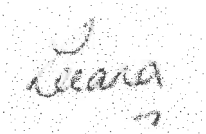
12 x quadra clip (no. 9)

Pergotex drawing

2 x bearings (no.9)

Please can you confirm how quickly you can despatch

Many thanks



Leeana Taft
Director



Tel: (01534) 768141

www.cpinteriors.ie

Rue des Pres Trading Estate, St Saviour, Jersey, JE2 7QN

Blinds | Curtains | Awnings | Shutters | Furnishings | Interior Design | Project Management

ASSOCIATED FREIGHT SERVICES LTD **AFS**

I N T E R N A T I O N A L F R E I G H T F O R W A R D E R S

AV 805

DELIVERY ADDRESS

CP INTERIORS C/O DSV ROAD LIMITED
10 BRUNEL WAY
SEGENSWORTH INDUSTRIAL ESTATE
FAREHAM, PO15 5TX
United Kingdom

Our reference 3860/21-24-1
Your reference 202606457
Date 18/10/2021

DELIVERY NOTE

SHIPPER:

WEINOR GMBH
MATHIAS-BRUGGEN-STRASSE 110
50829 KOLN
Germany

Special Instructions:

Terms of Shipment:

Number of Packages: 3 CARTONS

Gross Weight: 5.000

Description of Goods: AWNINGS/BLINDS
202606457

CUSTOMS

RECIEVED:

DATE:

SIGNED:

PRINT:

PALLETS/CARTONS RECIEVED IN GOOD CONDITION

89184

Subject to our terms and conditions, no claims for damages or shortages will be accepted unless made in writing within 7 days of delivery.

Unit 3E, Falcon Way off Central Way, Feltham, Middlesex TW14 0UQ

Tel: 020 8890 1066 - Fax: 020 8890 3398 - Email: info@afs-lon.co.uk - www.associatedfreight.co.uk

Registered office: Plaza Building, Lee High Road, London SE13 5PT - Registered in England No 2685525 - VAT No 584 4555 09



BRITISH INTERNATIONAL
FREIGHT ASSOCIATION



weinor Ltd 73 Cornhill EC3V 3QQ London

delivery note 223025781

Date of Print: 14.10.2021

delivery address

DSV Road Ltd

10 Brunel Way, Segensworth Industrial Estate
GB-PO15 5TX Hampshire, Fareham

England

C P Interiors**Rue Des Pres Trading Estate****GB-JE2 7QN St Saviour Jersey**

202606457

phone number: 0044-1534-768141
customer: 165708
representat. 654 Chris Spickett
tel (representat.): 0044 (0) 7894443907sales order no.: 202606457
order date: 05.09.2021
reference: L'horizon Hotel & stock
Your order no.:**pos quantity article code**1 2 123458-0000 Achtkantwelleneinsatz mit Zapfen
L'horizon HotelAnticipated delivery : 25.10.2021
customer route : 430 UK export
sales unit : Piece

2 1 4113 Ersatzteil-Set Infrarot-Röhre für Tempura

Anticipated delivery : 25.10.2021
Number of packages : 1
weight : ,5 kg
External dimensions : 0

3 12 120406-0000 Clip SK15 Z100

Anticipated delivery : 25.10.2021
customer route : 430 UK export
sales unit : Pieceweinor Ltd
73 Cornhill
GB-EC3V 3QQ London
weinor.comManaging Director:
Thilo Weiermann
General partner:
Weinor Beteiligungs-GmbH
KölnVAT no.: 335 238116
Company no.: 1193066
UTR no.: 33431 24084
EORI no.: GB35238116000**Domestic transfers:**
Commerzbank London
Sort Code: 406201
Account Number: 307 537 10**International transfers:**
Commerzbank London
IBAN: GB51 0831 0000 0000 0000 0000
Swift: MIDLGB22 XXX COBAGB2X



weinor Ltd 73 Cornhill EC3V 3QQ London

delivery note 223025781

Date of Print: 14.10.2021

delivery address

DSV Road Ltd

C P Interiors**Rue Des Pres Trading Estate****GB-JE2 7QN St Saviour Jersey**10 Brunel Way, Segensworth Industrial Estate
GB-PO15 5TX Hampshire, Fareham

England



202606457

phone number: 0044-1534-768141
customer: 165708
representat: 654 Chris Spickett
tel (representat.): 0044 (0) 7894443907sales order no.: 202606457
order date: 05.09.2021
reference: L'horizon Hotel & stock
Your order no.:**pos quantity article code**1 2 123458-0000 Achtkantwelleneinsatz mit Zapfen
L'horizon HotelAnticipated delivery : 25.10.2021
customer route : 430 UK export
sales unit : Piece

2 1 4113 Ersatzteil-Set Infrarot-Röhre für Tempura

Anticipated delivery : 25.10.2021
Number of packages : 1
weight : ,5 kg
External dimensions : 0

3 12 120406-0000 Clip SK15 Z100

Anticipated delivery : 25.10.2021
customer route : 430 UK export
sales unit : Pieceweinor Ltd
73 Cornhill
GB-EC3V 3QQ London
weinor.comManaging Director:
Thilo Weiermann
General partner
Weinor Beteiligungsgesellschaft
KölnVAT no.: 335 2381 16
Company no.: 12193066
UTR no.: 33431 24084
EORI no.: GB335238116000**Domestic transfers:**
Commerzbank London
Sort Code: 406301
Account Number: 38753710**International transfers:**
Commerzbank London
IBAN: GB51 0834 0062 0000 7537 10
Swift: MID1GB22 a/c COBAG82X

6457-002-001

Original gedruckt am 07.10.2021 um 10:08:32 von kasta2

Auftragsdatum 05.09.2021
Produktionstermin 07.10.2021
Puffertage: 0
Ausliefertermin 18.10.2021
Tour 430
VK-Auftrag 202606457 / 2
Kommission L'horizon Hotel & stock
Kundennummer 165708
AG-Nr: 3
Anzahl Seiten 1 Metallschein drucken

© P Interiors
Rue Des Pres Trading Estate
St Saviour Jersey
Produktionsauftrag:

Lieferanschrift : DSV Road Ltd
10 Brunel Way, Segensworth
Industrial Estate,
PO15 Hampshire, Fareham
STX
Ersatzteil-Set Infrarot-Röhre für Tempura
Sachbearbeiter William Abbott
Tel / Fax: +49:221-59709-472



202606457-002-001

Metallschein	Verwendung für:	Menge
Kleinteilkommissionierung		
120404-0000 (Dr. Fischer Garneta 26022Z)	Tempura Quadra	6
127160-0000 (Karton 9x9x43cm)		6
Montage- und Bedienungsanleitung		
121070-0000 (Tempura Quadra MA+WGA DE-NL-GB-FR 2016)		6

SYSTEMLIEFERUNG

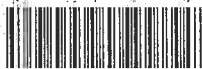
weinor Ltd 73 Cornhill EC3V 3QQ London

C P Interiors

Rue Des Pres Trading Estate

GB-JE2 7QN St Saviour Jersey

Kunde: 165708



VK-Auftrag: 202606457

Kommission: L'horizon Hotel & stock

Sachbearb: William Abbott +49-221-59709-472

ACHTUNG: Es dürfen nur die Positionen auf dieser Komliste zusammen verpackt und versendet werden!!

Pos	Menge	Artikelcode
3	12	120406-0000 Clip SK15 Z100

Erfasst am: 17.09.2021 10:30:00

Datum Strecke : 08.10.2021

Verladetag : 18.10.2021

Kundentour : 430

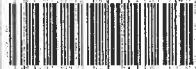
Lager : 0

Lagerort : ohne

Verkaufseinheit : Stück

England Export

Kommissionier-Liste / Nr:



111703900

Original

Versand-Adresse:

DSV Road Ltd

10 Brunel Way, Segensworth Industrial Estate

GB-PO15 5TX Hampshire, Fareham

England

weinor Ltd
73 Cornhill
GB-EC3V 3QQ London
weinor.comManaging Director:
Thilo Weiermann
General partner:
Weinor Beteiligungs-GmbH
KölnVAT no.: 335 2381 16
Company no.: 12193066:
UTR no.: 33431 24084
EORI no.: GB335238116000Domestic transfers:
Commerzbank London
Sort Code: 406201
Account Number: 307 537 10International transfers:
Commerzbank London
IBAN: GB51 COBA 4062 0130 7537 10
Swift: MIDLGB22 a/c COBAGB2X

SYSTEMLIEFERUNG

weinor Ltd 73 Cornhill EC3V 3QQ London

C P Interiors

Rue Des Pres Trading Estate

GB-JE2 7QN St Saviour Jersey

Kommissionier-Liste / Nr:



111704034

O r i g i n a l

Versand-Adresse:

DSV Road Ltd

10 Brunel Way, Segensworth Industrial Estate

GB-PO15 5TX Hampshire, Fareham

England

Kunde: 165708



VK-Auftrag: **202606457**

Kommission: L´horizon Hotel & stock

Sachbearb: William Abbott +49-221-59709-472

ACHTUNG: Es dürfen nur die Positionen auf dieser Komliste zusammen verpackt und versendet werden!!

Pos	Menge	Artikelcode
1	2	123458-0000 Achtkantwelleneinsatz mit Zapfen

Erfasst am: 10.09.2021 16:52:00 L´horizon Hotel

Datum Strecke : 15.10.2021

Verladetag : 18.10.2021

Kundentour : 430

England Export

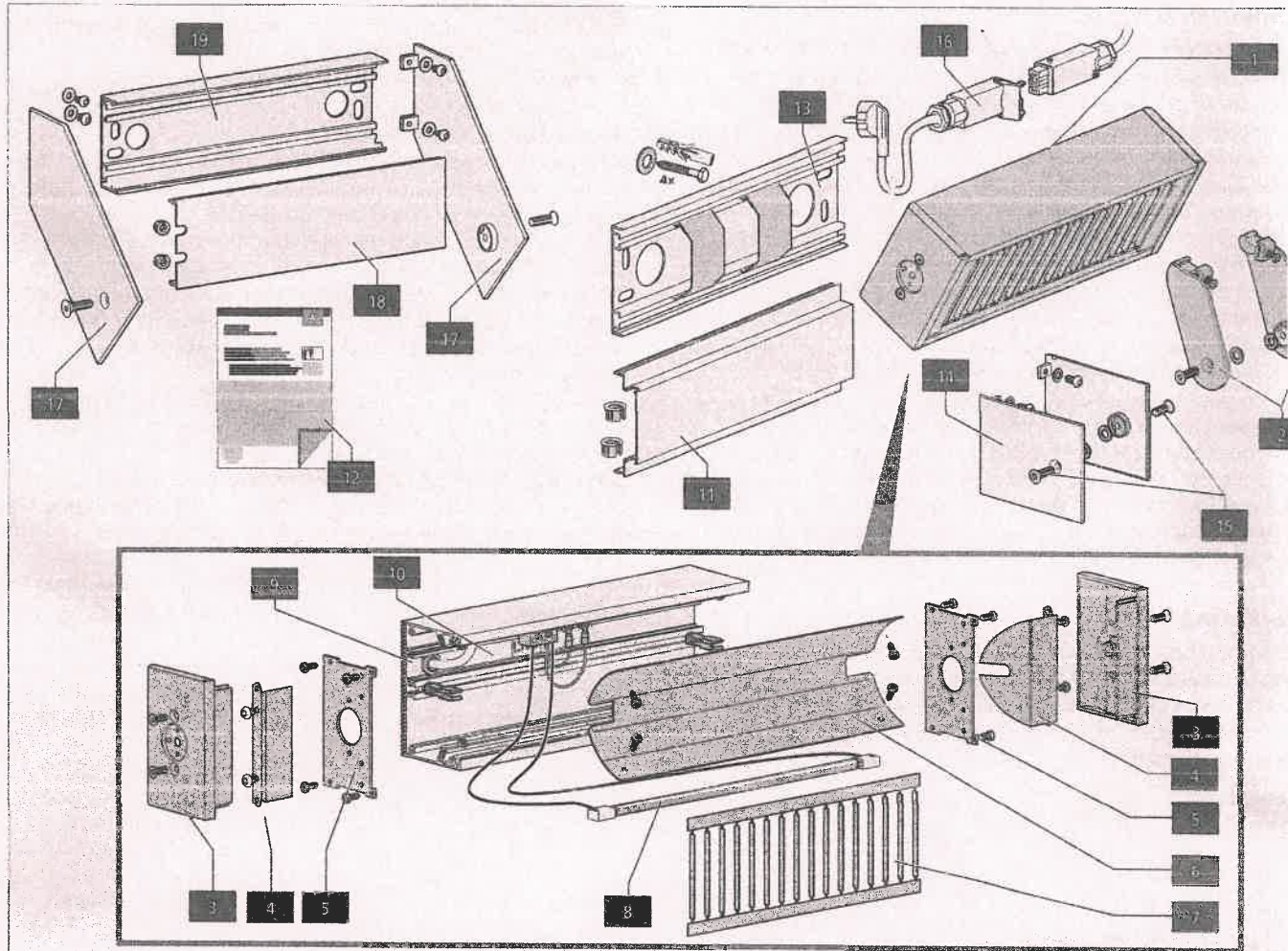
Lager : 0

Lagerort : ohne

Verkaufseinheit : Stück

FA 35

GB Product overview and scope of delivery



L'Horizon + Stoeck (Quadra)

1	Complete Tempura Quadra housing
2	Left/right Opal arm *
3	Exterior headplate (right, including countersunk hex head screws)
4	Side reflector
5	Interior headplate (right, including flat self-tapping screws)
6	Reflector
7	Safety guard
8	Infrared lamp
9	Clip
10	Porcelain terminal block

11	Faceplate profile with 2 x cable sleeves **
12	Installation, usage and maintenance instructions
13	Wall gap sealing profile with two 85 x 60 rubber bands **
14	Left/right universal arm **
15	M8 x 22 hex socket head screw
16	Power cord with Hirschmann plug, STAS 3/ Stak 3
17	Arm for left/right 260 attachment ***
18	Faceplate for 260 attachment with 2 x cable sleeves ***
19	Wall gap sealing profile for 260 attachment ***

6 x
12 x

*) option Tempura Quadra
 **) option Tempura Quadra Universal
 ***) option Tempura Quadra with "260 Attachment"

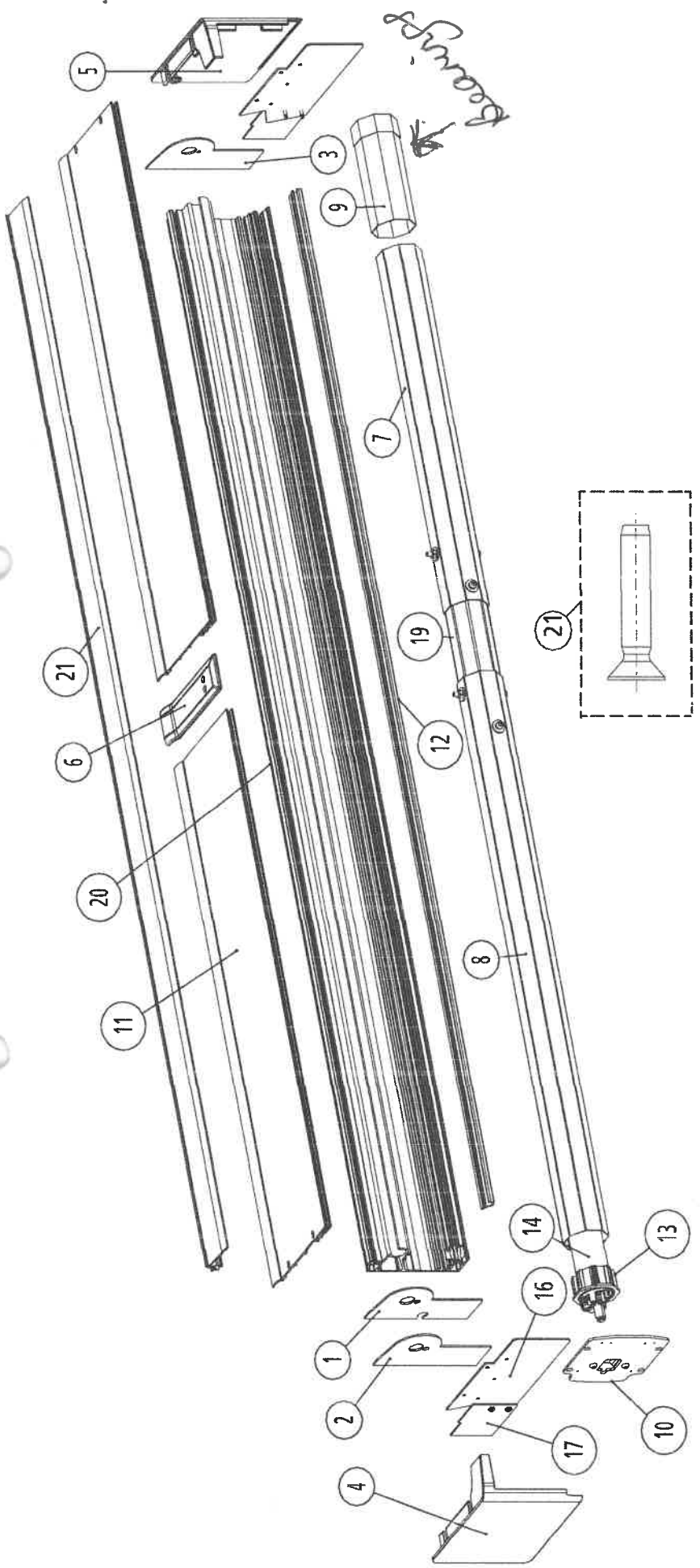
i - Tool list → weinor download centre (DLC)
 - Exploded drawing → weinor download centre (DLC)

GB List of contents

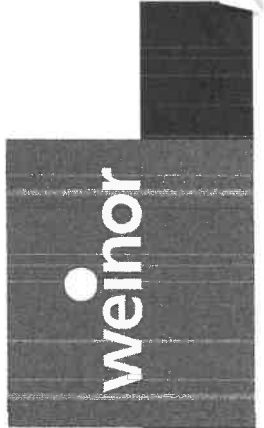
Product overview List of contents	6
General	7
Technical data, dimensions and minimum spacings	10
Installation	12
Tempura Quadra Universal installation (on a wall/roof)	13
Installation on a weinor Opal Design II	18
Positioning the Tempura Quadra on a weinor Opal Design II	19
Tilting the Tempura Quadra	19
Installing the Tempura Quadra with "260 attachment"	20

Performing a functional check	
Handover	
Operation and usage	
Cleaning	
Maintenance – replacing the infrared lamp	
Circuit diagrams	
Fault analysis and troubleshooting	
Disposal	
EC Declaration of Conformity	
Symbols used	

PergoTex II Wandanschluss, 19.02.2021

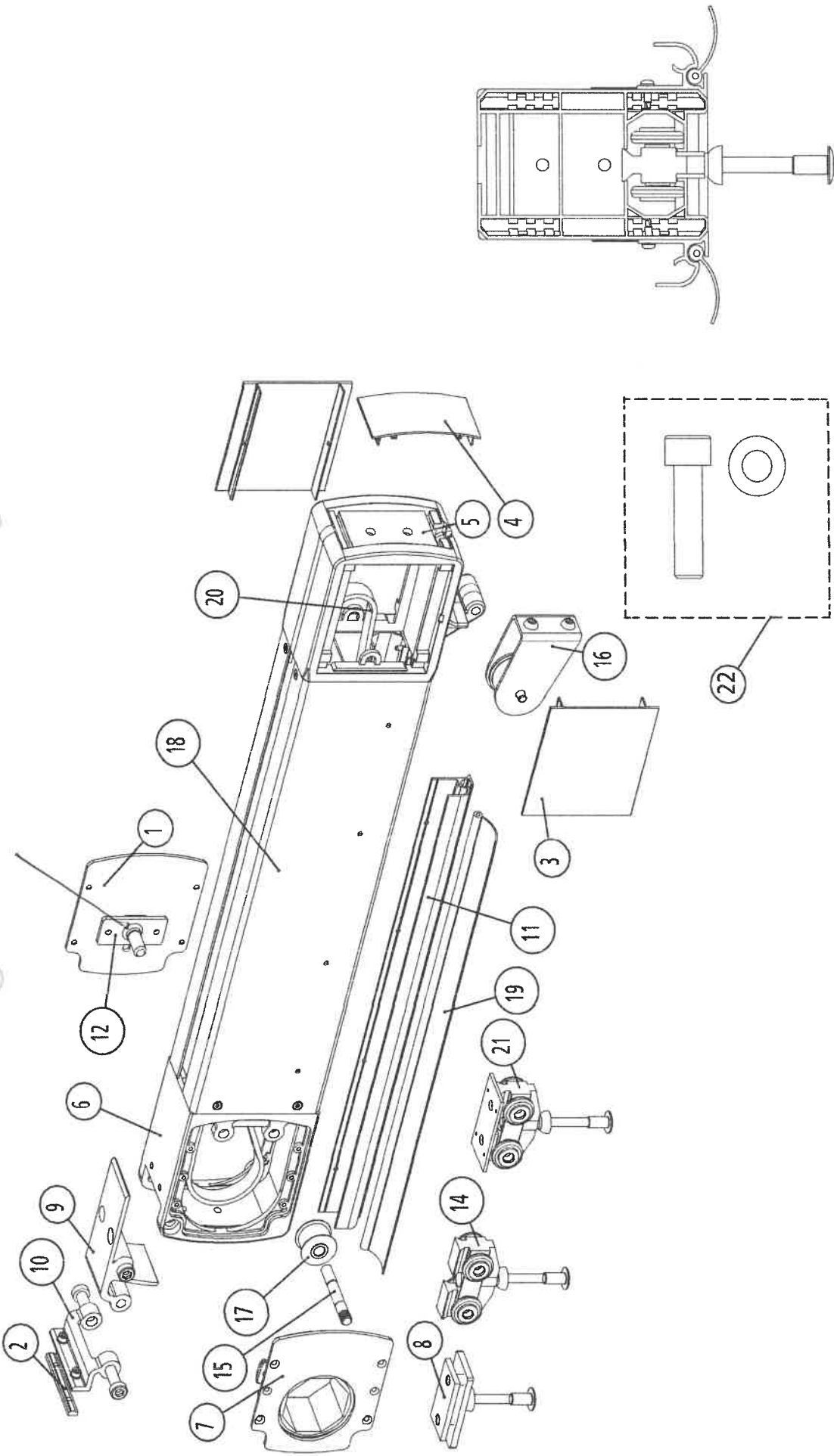


L'Horizon



- Markisen
Terrassendächer
Glisoases
- Zonneschermen
Terrasoverkappingen
Glisoases
- Awnings
Patio roofs
Glisoases
- Stores
Toits de terrasse
Oasis de verre

PergoTex II Transportprofil, 19.02.2021



weinor

Stores
Toits de terrasse
Oasis de verre

Awnings
Patio roofs
Glasoasen

Zonneschermen
Terrasoverkappingen
Glasoases

Markisen
Terrassendächer
Glasoasen

SO 11721

L'horizon

weinor Ltd 73 Cornhill EC3V 3QQ London

C P Interiors

**Rue Des Pres Trading Estate
GB-JE2 7QN St Saviour Jersey**

delivery address

DSV Road Ltd

10 Brunel Way, Segensworth Industrial Estate
GB-PO15 5TX Hampshire, Fareham

ORDER CONFIRMATION (release 2)

sales order no.: 202606457 of 05.09.2021
customer: 165708
reference: L'horizon Hotel & stock
Your order no.:
contact person: William Abbott
E-Mail: WAbbott@weinor.de
phone number: +49-221-59709-472
representat. 654 Chris Spickett
tel (representat.): 0044 (0) 7894443907

Dear Weinor Partner,

with immediate effect our new bank account for the weinor Ltd. is active and can be used !

We kindly ask you to send and place all payment in the favour of weinor Ltd. to the following Bank Details.

Commerzbank London
Sort Code: 406201
Account Number: 307 537 10
In favour of : Weinor Ltd.

Thank you very much for your support.

weinor Ltd 73 Cornhill EC3V 3QQ London

customer: 165708 sales order 202606457

Page 3 of 4

pos	quantity	article code
-----	----------	--------------

value of goods	discount amount / %	net
12,16	4,86 / 40,00	7,30

2	1,00	4113	Ersatzteil-Set Infrarot-Röhre für Tempura
---	------	------	---

Dear Customer,
due to an high demand we have to prolong the delivery time. The delivery date will be updated automatically.

Tempura System selection : Tempura Quadra

Number of halogen tubes Garneta : 6 Piece 516,00

121070 Assembly instructions : 6 Piece

Tempura Quadra

Material cost surcharge 4,9% : on gross position value: 516 £ 25,28

value of goods	discount amount / %	net
541,28	216,51 / 40,00	324,77

3	12,00	120406-0000	Clip SK15 Z100
---	-------	-------------	----------------



customer route : 430 UK export

term of payment : 080 5 days 5% discount; 30 days net

price per unit : 0 GBP / Stück

sales unit : Piece

value of goods	discount amount / %	net
0,00	0,00 / 40,00	0,00

weinor Ltd
 73 Cornhill
 GB-EC3V 3QQ London
 weinor.com

Managing Director:
 Thilo Weiermann
 General partner:
 Weinor Beteiligungs-GmbH
 Köln

VAT no.: 335 2381 16
 Company no.: 12193066
 UTR no.: 33431 24084
 EORI no.: GB335238116000

Domestic transfers:
 Commerzbank London
 Sort Code: 406201
 Account Number: 307 537 10

International transfers:
 Commerzbank London
 IBAN: GB51 COBA 4062 0130 7537 10
 Swift: MIDLGB22 a/c COBAGB2X