

ORIGINAL BLINDMAKERS

DEANS

— LONDON 1894 —

GREENWICH CANTILEVER AWNING



ZODIAC SECURITY

Menu

243

NOTICE

at the
MEMORIES
of the
MEMORIES

NO VISA
NO CREDIT CARDS

MEDITERRANEAN CUISINE

GREENWICH CANTILEVER AWNING

Index	
Deans – London’s Original Blindmakers Since 1894.....	5
Quality Design & Craftsmanship	6
Clever Technology	7
Overview	9
Housing	
Wall Mounted	11
Arm	
Arm	13
Fixing	
Fixings	15
Bracket and Arm Position	16
Extraction forces	17
Options	
Operation	19
Valance	20
Finals	21
Sensors	22
Branding	23
Finishes	
Fabric	25
Metalwork	27
Timber	28

2 9000

SECURITY
01450 241146

SINE

Dada

MEMORIES



GREENWICH CANTILEVER AWNING

DEANS - LONDON'S ORIGINAL BLINDMAKERS SINCE 1894

Deans of Putney have a history that spans three centuries as the leading UK manufacturer and installer of blinds and awnings. The company was founded in London by a policeman's son, Tom Dean, in 1894 and was later taken over by his brother John. John Dean started out making canvas bags, which were in great demand as water carriers by the British forces across the Victorian Empire, especially in South Africa during the Boer War.

Between the two world wars, Deans established a reputation across UK as major blindmakers. Deans were also well known in football, with the then owner being chairman of local football club Fulham during their inter-war heyday.

Award winning manufacturers

Deans manufacture and install a wide range of awnings and blinds including patio awnings, commercial awnings, shop blinds, canopies and many other types of products from their 12,000 square foot factory on Wandsworth, south west London.

Deans has always been supportive of the blinds, shades and shutters industry and has been closely involved with the British Blinds and Shutters Association since its inception and are proud to have been a founder member of the Association in 1919.

Deans believe that its employees are key to their continued success and a National Training Award Commendation in 1991 was followed up in 1993 by Deans becoming one of the first UK companies to achieve the prestigious Investors in People standard confirming their commitment to quality and training. Since 1993, Deans have received that accolade a forthe six times.



GREENWICH CANTILEVER AWNING

QUALITY DESIGN & CRAFTSMANSHIP

Deans Blinds & Awnings have been manufacturing, supplying and installing traditional Victorian shop blinds since 1894. Today we still manufacture our blinds in exactly the same way using traditional methods and skills, combined with the latest design technology. We have a huge range of products for all types of commercial clients such as shops, restaurants, pubs, bars, cafes, schools and offices. We also provide a wide range of solutions for our many residential customers - we may be 120 years old, but we still continue to innovate and improve the way in which we manufacture our awnings.

We have a talented and experienced design team who are skilled at working with or collaborating with architects, design teams, contractors or even working independently to produce an awning solution. We can provide sophisticated 3D-modelling on request, as well as supplying fabric samples. Deans also offer clients the opportunity to use our cutting-edge branding and pattern system.

Deans manufacturing team are second to none and are proud of maintaining Deans reputation for producing awning of outstanding build quality. Our attention to detail is a key element in ensuring every awning manufactured in the workshop is constructed to the highest standard.

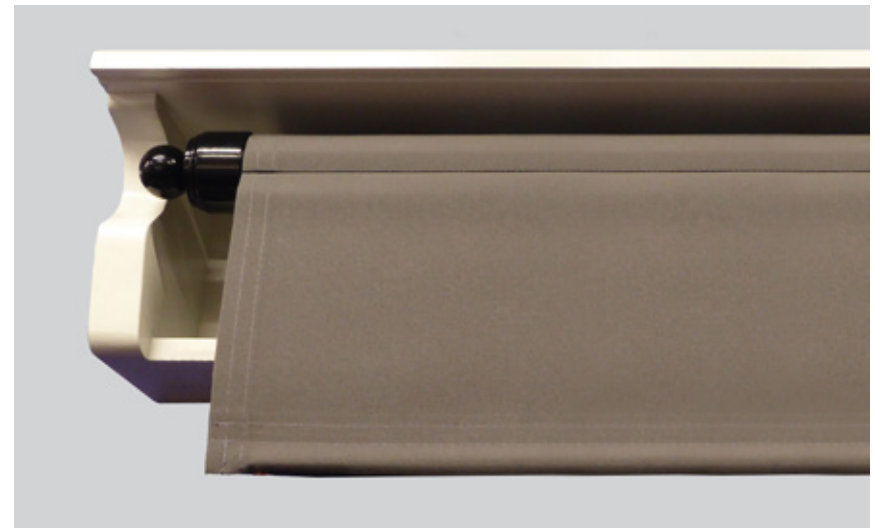
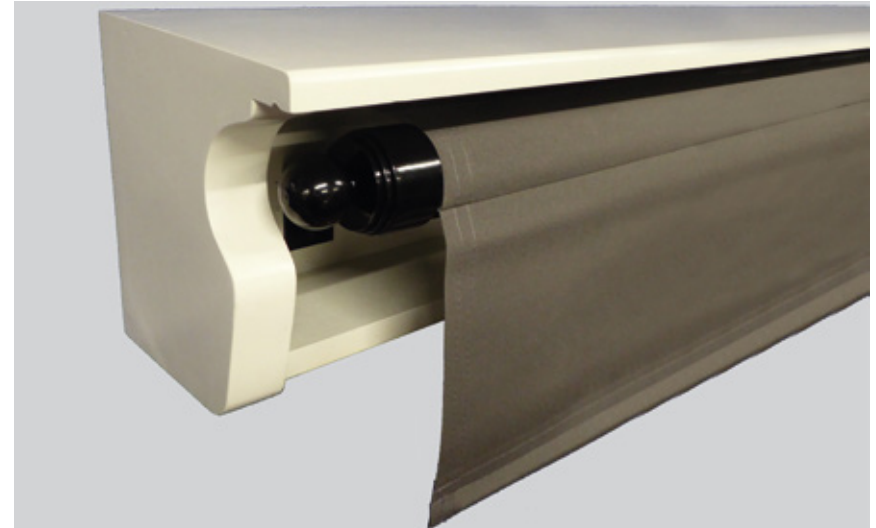


GREENWICH CANTILEVER AWNING

CLEVER TECHNOLOGY

This truly innovative design combines the beauty of our much coveted Greenwich Awning® with the functionality and versatility of our cantilevered operating system. With the fabric wrapped lath profile and ornate hardwood timber encasement (painted or stained to the customer's specifications), the key features of the Greenwich Awning® most loved by designers and architects alike, are retained.

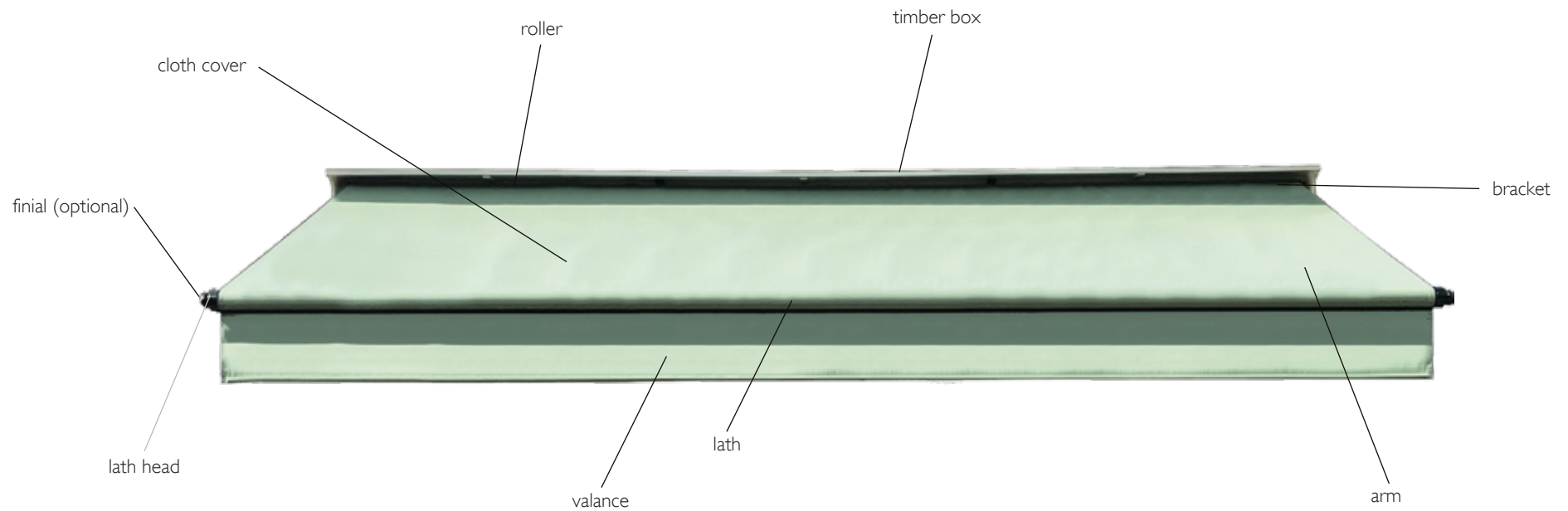
Built entirely in our London workshop, the Greenwich Cantilever Awning® is perfect for situations where challenging fixing areas and ease of use must not compromise craftsmanship, style and excellence.



OVERVIEW



GREENWICH CANTILEVER AWNING - OVERVIEW



Maximum width: 1 section: 6.0 m (larger width possible upon application).

Maximum projection: 3.5 m (subject to suitable fixing height, larger projections possible upon application).

Pitch: from 10° to 35°

Operation: electric (either side of the roller) or manual (winding handle)

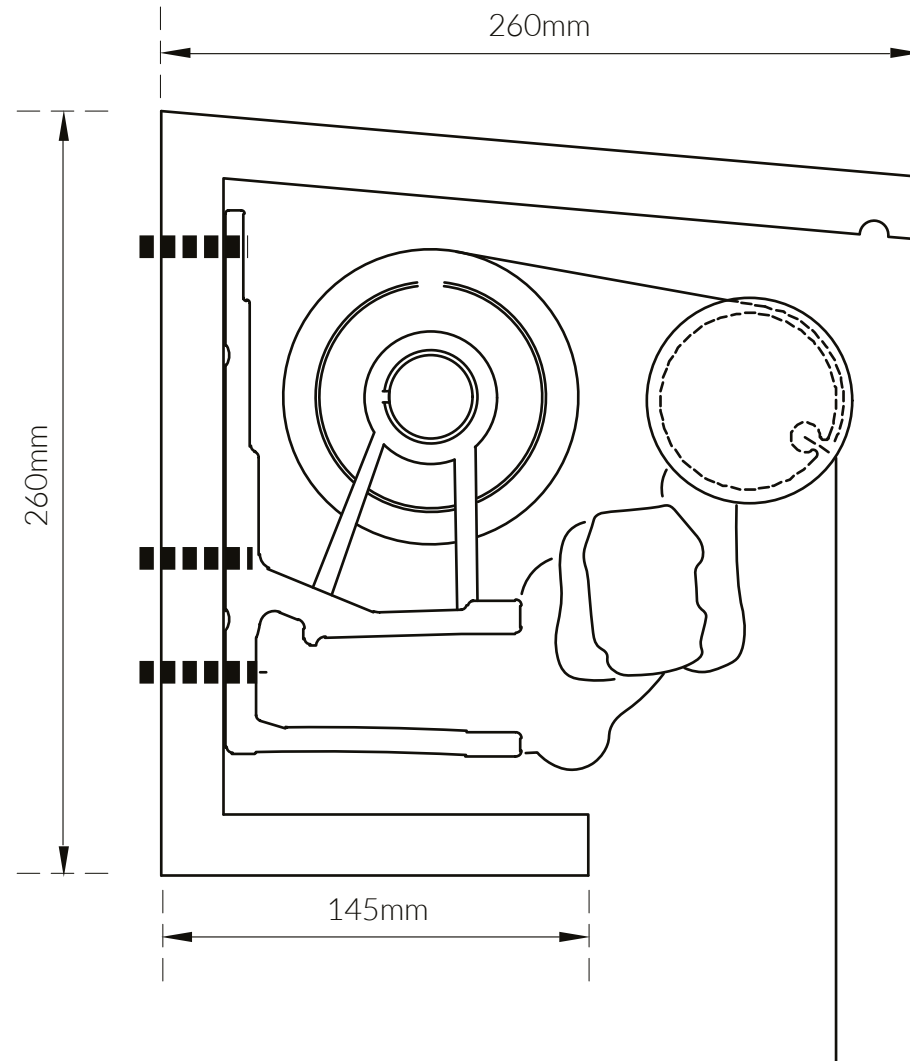
*Note: if the awning's angle of pitch is less than 25% = 14°, measured from the horizontal, it must not be opened in the rain. There is a risk of puddles forming in the fabric which could damage the awning or cause it to fall.

HOUSING



GREENWICH CANTILEVER AWNING - WALL MOUNTED

SIDE PROFILE



Width: 6.0 m (larger width possible upon application).

Projection: 3.5 m.

Pitch: from 10° to 35°

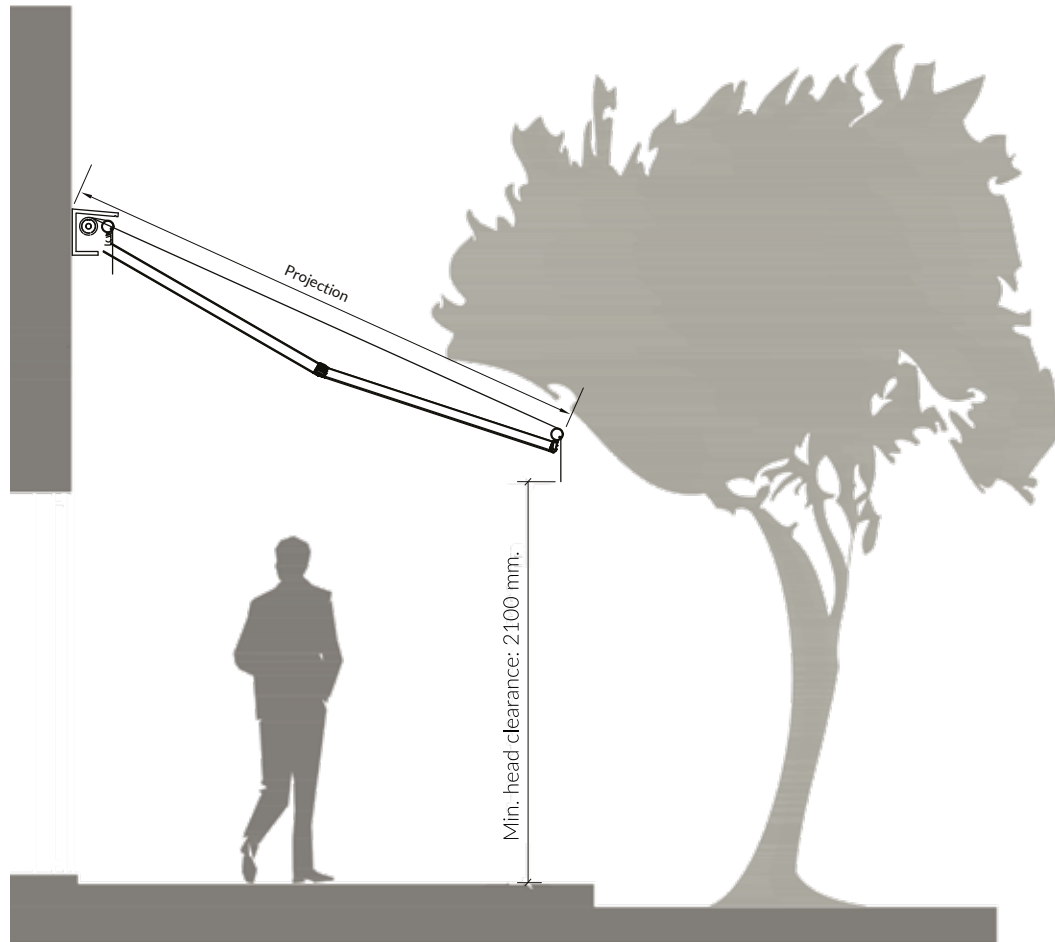
Fixing position: face fixed (see page 16).

ARM

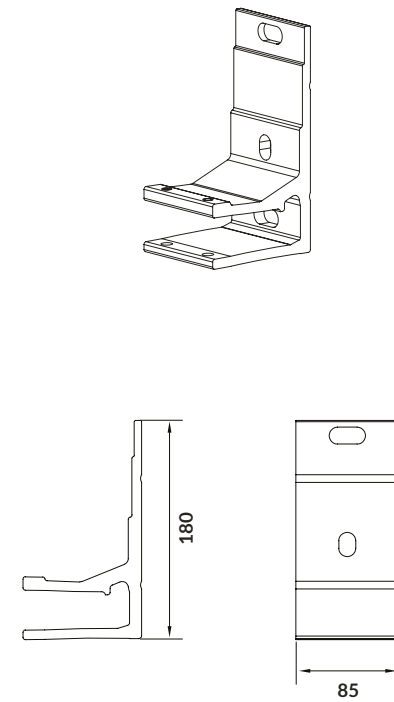


GREENWICH CANTILEVER AWNING - ARM

Typical Cross Section



Fixing Bracket



Minimum head clearance: 2.1m

Maximum width: 6.0 m

Maximum Projection: 3.5m

Minimum pitch 10°, maximum pitch 35°.

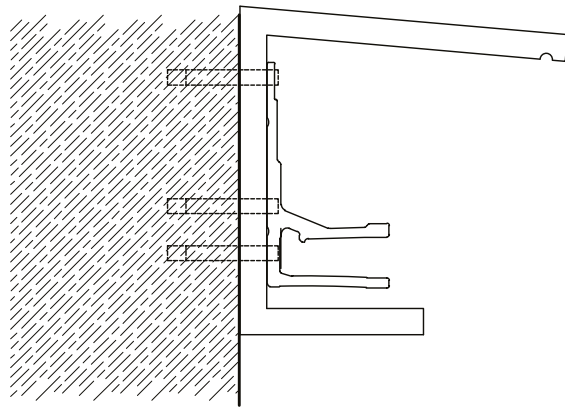


FIXING

GREENWICH CANTILEVER AWNING - FIXINGS

Fixing position: See page 16.

Please note: The information on this page is for guidance only, all projects will be evaluated after site visit.



TIMBER

Hardwood

Fixing: Coach screw

Size: M12 x 85mm

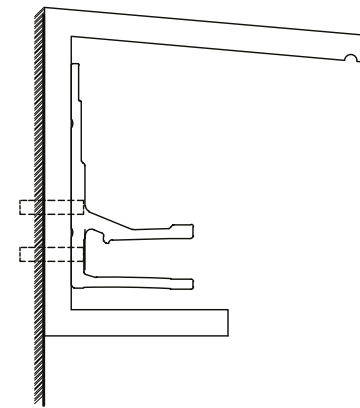
Depth: 50mm (min)

Softwood

Fixing: Coach screw

Size: M12 x 100mm

Depth: 75mm (min)

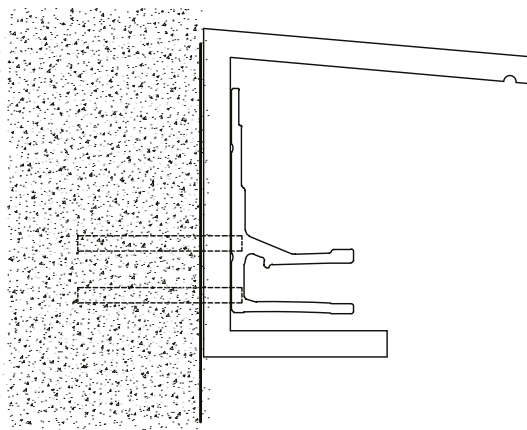


STEEL

Fixing: Hex bolt

Size: M12 x 40mm

Depth: 8mm (minimum)

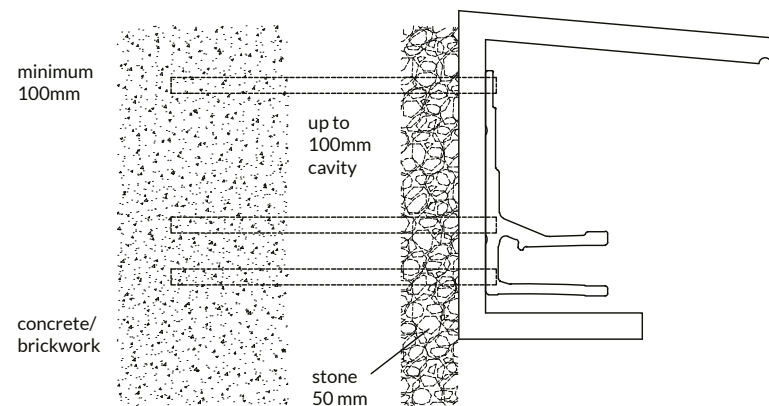


CONCRETE BRICKWORK

Fixing: Anchor bolt

Size: M12 x 120mm

Depth: 100mm (min)



FASCIA CLADDING

Fixing: Resin bolt /
studding M14

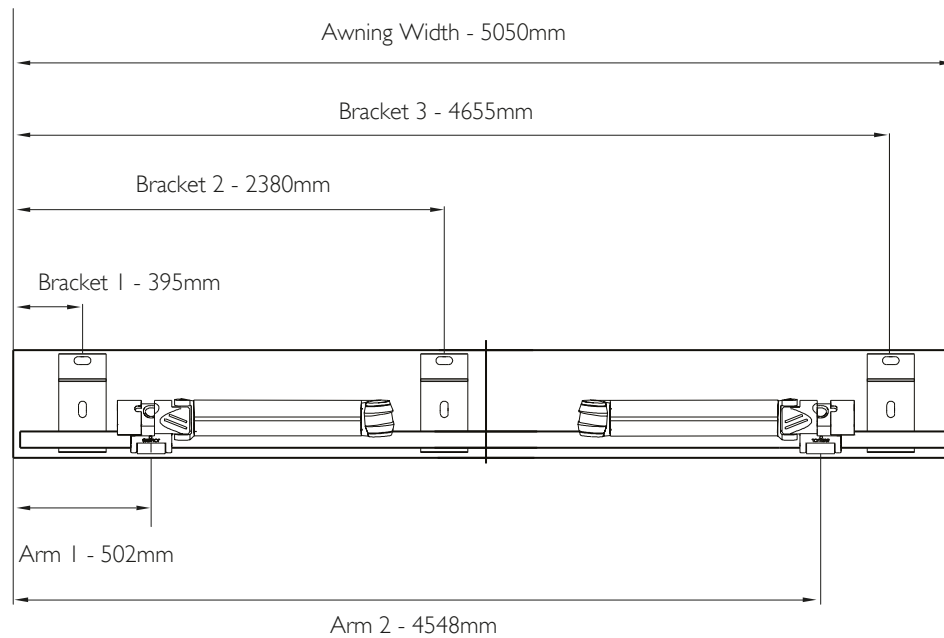
Size: M14 (studding
length subject to
application)

Depth: 250mm (min)

GREENWICH CANTILEVER AWNING - BRACKET & ARM POSITION

BRACKET & ARM POSITION

Example: 5050 mm x 2500 mm - Incl. 3no. Brackets and 2no. Arms.




GREENWICH CANTILEVER AWNING - EXTRACTION FORCES


QUANTITY / WIND LOAD

Selection table for wall brackets and anchoring system.	Width in cm	Projection in cm				
		150	200	250	300	350
Wall installation on C20/25 concrete with up to 200 mm of facing, extraction force in N per upper fixing for wall bracket.	250	932	1979	1955		
		466	990	978		
		233	495	489		
	300	270	400	568		
		1076	1595	2257	2971	
		538	798	1129	1486	
	350	269	399	564	743	
		312	462	654	862	
		1220	1811	2560	3372	4399
	400	610	906	1280	1686	2200
		305	453	640	843	1100
		354	526	742	978	1276
	450	1364	2028	2862	3773	4912
		682	1014	1431	1887	2456
		341	507	716	943	1228
	500	396	588	830	1094	1424
		1508	2244	3164	4174	5425
		754	1122	1582	2087	2713
	550	377	561	791	1044	1356
		438	650	918	1210	1574
		1652	2461	3466	4575	6736
	600	826	1231	1733	2288	3368
		413	615	867	1144	1684
		480	714	1006	1326	1954
650	1796	2677	3768	5533	7331*	
	898	1339	1884	2767	3666	
	449	669	942	1383	1833	
700	520	776	1092	1634	2126	
	1940	2894	4070	6095	7927*	
	970	1447	2035	3048	3964	
750	485	724	1018	1524	1982	
	562	840	1180	1768	2298	

Consult table for extraction force per fixing for selected awning size.


Select a wall bracket/mounting plate for which there is a fastener which can resist the indicated extraction force. Remember to take into account the spacing, the area which will be damaged if the fixing breaks out, the type of fixing used and the assembly base.


 1 standard wall bracket (85 mm) plus 1 standard wall bracket (85 mm) as a central bracket from 401 cm, 1 standard wall bracket (85 mm) per awning arm, fasteners: 4 in all

 1 standard wall bracket (85 mm) plus 1 standard wall bracket (85 mm) as a central bracket from 401 cm, 2 standard wall brackets (85 mm) per awning arm, fasteners: 8 in all

or

1 wall bracket (260 mm) plus 1 standard wall bracket (85 mm) as a central bracket from 401 cm, 1 wall bracket (260 mm) per awning arm, fasteners: 8 in all

 1 wall bracket (260 mm) plus 1 standard wall bracket (85 mm) as a central bracket from 401 cm, 2 wall brackets (260 mm) per awning arm, fasteners: 16 in all

 Mounting plate (280 x 240 mm) incl. 1 standard wall bracket (85 mm), standard wall bracket (85 mm) incl. base plate, fasteners: 8 in all

* 2 brackets required per awning arm

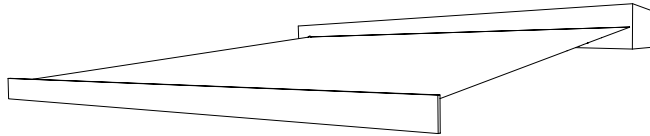


GREENWICH CANTILEVER AWNING - OPERATION

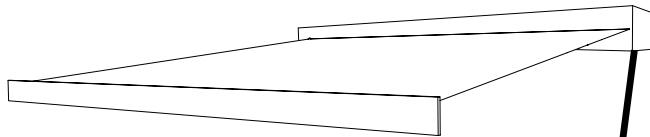
OPERATION

Electric operation

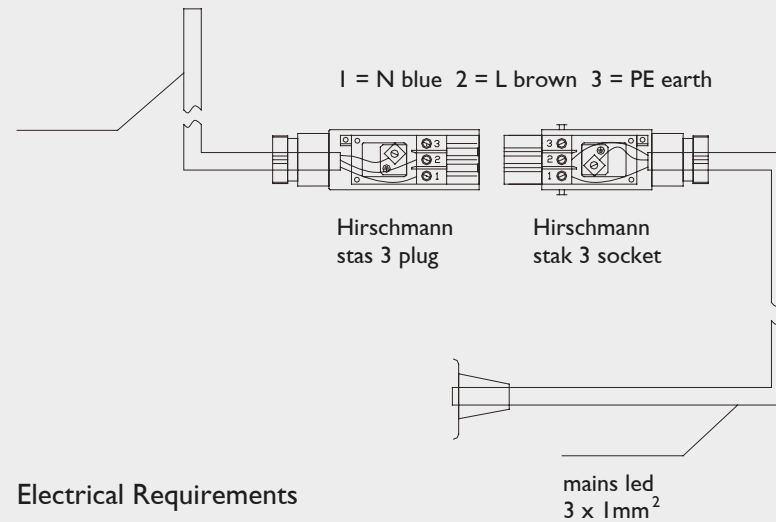
(See electrical specifications on rhs)



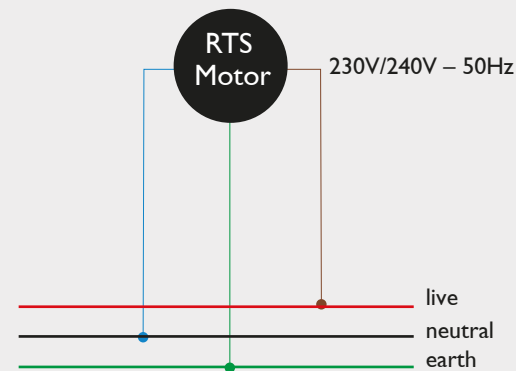
Manual crank operation



Wiring Diagram – Hirschmann Plug



Electrical Requirements



Please note: electrical pull of the awning motor is less than 3A.

*RTS awning motor - Information

Category

Power supply	230 Volt AC
Current	1,5 Amps
Output	320 W
Protection class	IP 44
Max. operating time:	Approx. 3 to 4 min

GREENWICH CANTILEVER AWNING - VALANCE

VALANCE

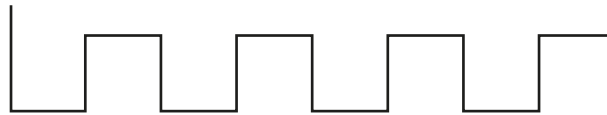
Valance styles



straight



torreted



castle

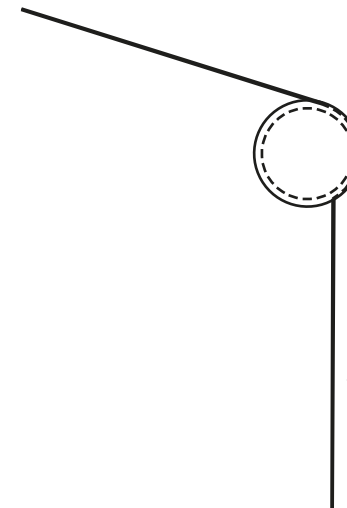


wave



scalloped

CROSS SECTION

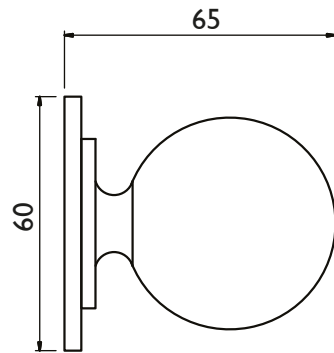


valance height:
150 to 500 mm
(standard: 250 mm)

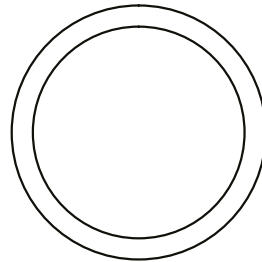
GREENWICH CANTILEVER AWNING - FINIALS

CLASSIC FINIAL

Front Elevation

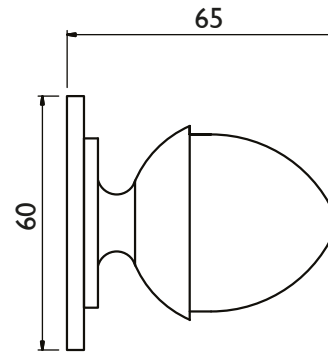


Side Profile

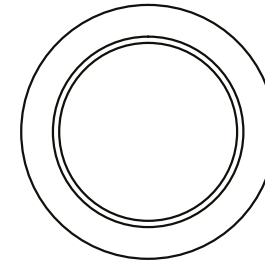


ACORN FINIAL

Front Elevation

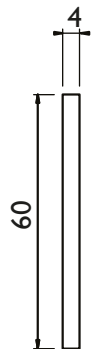


Side Profile

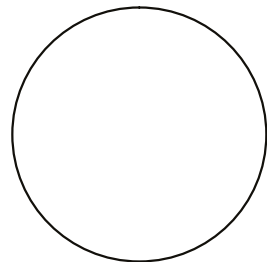


END CAP FINIAL (STANDARD)

Front Elevation



Side Profile



GREENWICH CANTILEVER AWNING - SENSORS

Vibration sensor



Vibration sensor – standard product protection

The integrated vibration sensor retracts the awning automatically when it senses vibrations (e.g. from gusts of wind).

- threshold value adjustable
- comes as standard in most width/projection combinations (with some exceptions)
- energy-saving technology
- battery life 2 years
- automatic battery replacement system on registration
- awning remains in place approx. 20 minutes after retraction

Sun, wind & rain sensors



Sun, wind and rain sensors – automatically protect your product and prevent excess heat (optional)

The remote sensors automatically extend the awning when the sun shines and reliably retract it in the wind or rain.

GREENWICH CANTILEVER AWNING - BRANDING

COVER

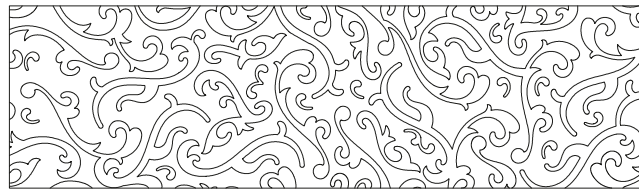
Logo



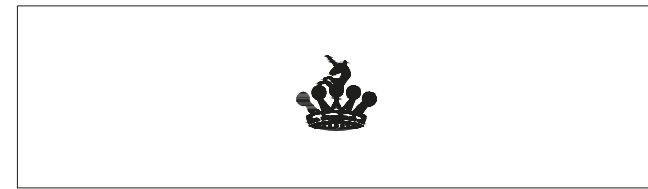
Text



Full pattern



Gilding



VALANCE

Logo



Text



Full pattern



Gilding





FINISHES

GREENWICH CANTILEVER AWNING - PLAIN FABRIC

								
RKS-099 white	RKS-317 haya	RKS-122 seashell	RKS-117 raw	RKS-415 marble	RKS-217 ivory	RKS-220 argent	RKS-148 desert	RKS-115 cream
								
RKS-121 wheat	RKS-779 beige tweed	RKS-180 sand	RKS-145 tenerife	RKS-222 oak buff	RKS-133 cinnamon	RKS-126 linen	RKS-107 champagne	RKS-108 vanilla
								
RKS-113 cava	RKS-119 duna	RKS-100 beige	RKS-178 toast	RKS-139 heather beige	RKS-143 hemp beige	RKS-775 linen tweed	RKS-188 lemon	RKS-237 pineapple
								
RKS-239 yellow tweed	RKS-554 yellow	RKS-240 honey	RKS-149 corn	RKS-111 camel	RKS-158 ochre	RKS-101 mandarin	RKS-567 orange	RKS-185 pumpkin
								
RKS-106 Flamingo	RKS-241 Pheonix	RKS-105 salmon	RKS-176 red	RKS-182 vermillion	RKS-177 burgundy	RKS-104 chestnut	RKS-195 cacao	RKS-243 tapenade
								
RKS-244 dun	RKS-156 brown	RKS-181 coffee	RKS-165 mauve	RKS-110 lilly	RKS-171 turquoise	RKS-193 light blue	RKS-229 sapphire	RKS-169 steel blue
								
RKS-172 blue	RKS-232 denim	RKS-173 dark blue	RKS-236 jeans	RKS-170 admiral blue	RKS-199 atlantic blue	RKS-174 navy blue	RKS-175 captain navy	RKS-189 lime
								
RKS-160 pistachio	RKS-187 jade	RKS-162 khaki	RKS-142 emerald	RKS-163 green	RKS-248 hunter	RKS-102 forest green	RKS-114 pearl	RKS-197 lead tweed
								
RKS-112 graphite	RKS-186 silver	RKS-196 titanium	RKS-123 argenta grey	RKS-138 cadet grey	RKS-161 grey	RKS-224 dun grey	RKS-152 taupe	RKS-127 moonrock
								
RKS-194 ash	RKS-776 taupe tweed	RKS-198 nickel	RKS-774 smoke tweed	RKS-164 charcoal grey	RKS-770 charcoal tweed	RKS-150 dark grey	RKS-103 black	

GREENWICH CANTILEVER AWNING - STRIPED FABRIC



RKS-017 white black



RKS-061 white grey



RKS-056 white brown



RKS-206 cabanes



RKS-166 foix



RKS-252 vanilla beige



RKS-223 perelló



RKS-630 zaidin



RKS-211 falset



RKS-014 white green



RKS-058 ochre brown



RKS-055 white yellow



RKS-012 white red



RKS-016 white blue

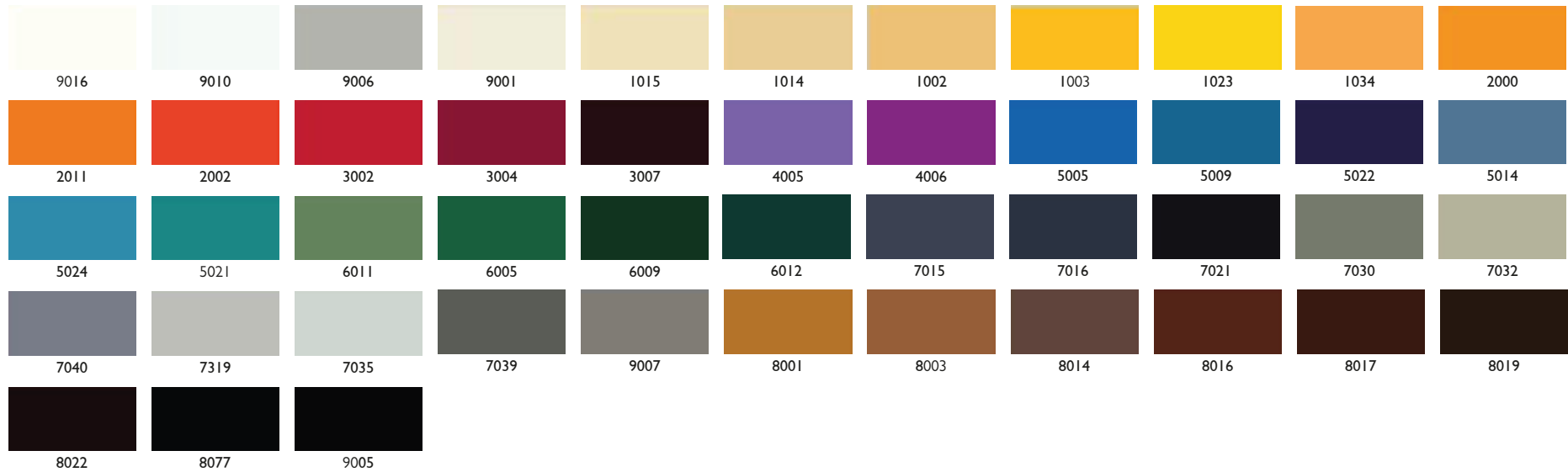


RKS-144 maella

Other combinations of colours and stripes also available.

GREENWICH CANTILEVER AWNING - METALWORK

Standard frame colours



*Please note, frames can be powdercoated to any ral colour, however there is a surcharge for any non-standard colour.

As a result of the ban on the use of heavy metals in powder coatings, paint manufacturers can no longer guarantee colour stability despite making every effort to do so. It therefore cannot be excluded that colours in general may fade with time. For technical reasons, the colour may appear different when printed.

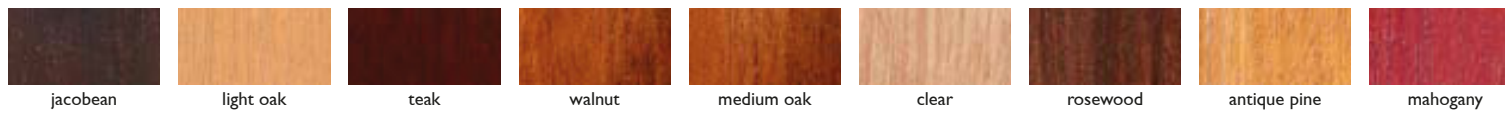
GREENWICH CANTILEVER AWNING - TIMBER

TIMBER COLOUR



This is a selection of the most popular colours, please note, we are able to match any RAL colour.

TIMBER STAINED



ORIGINAL BLINDMAKERS
DEANS
— LONDON 1894 —

Deans Blinds and Awnings UK Ltd.
Unit 7, Kimpton Business Centre
Minden Road, Sutton
Surrey SM3 9PF

Tel: 020 8947 8931
Email: info@deansblinds.co.uk
Web: www.deansblinds.co.uk