

weinor Ltd 73 Cornhill EC3V 3QQ London

C P Interiors

**Rue Des Pres Trading Estate
GB-JE2 7QN St Saviour Jersey**

delivery address

DSV Road Ltd

10 Brunel Way, Segensworth Industrial Estate
GB-PO15 5TX Hampshire, Fareham

ORDER CONFIRMATION (release 1)

sales order no.: 202552989 of 31.03.2021
customer: 165708
reference: SO11504 Cudlip
Your order no.:
contact person: William Abbott
E-Mail: WAbbott@weinor.de
phone number: +49-221-59709-472
representat. 654 Chris Spickett
tel (representat.): 0044 (0) 7894443907

pos	quantity	article code
-----	----------	--------------

Attention! Please use the following bank details until further notice:

Commerzbank London
Sortcode: 40-62-01
Swift BIC Code: COBAGB2X
IBAN: GB24 COBA 4062 0130 2664 80

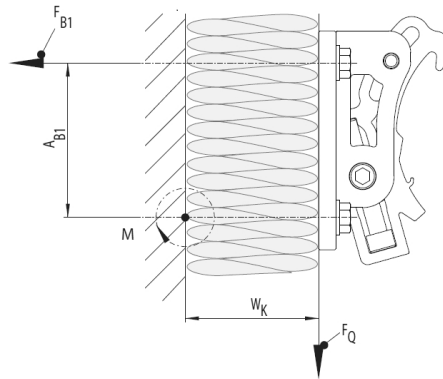
pos	quantity	article code	
1	1,00	3420	Semina Life
Scheduling delivery : Please contact your person in charge for planning the expected date of delivery.			
Product use : private house			
width (cm) : 435 cm			
Projection [cm] : 350 cm 2.572,00			
Basic colour : WT029/70786 Sparkling Iron Effect			
Folding arm design : Arm with LongLife technology and high-tech belt			
no. of arms : 2 arms			
bracket type 1 : wall bracket 250 complete			
number of brackets 1 : 2 Piece 98,00			

weinor Ltd
73 Cornhill
GB-EC3V 3QQ London
weinor.com

Managing Director:
Thilo Weiermann
General partner:
Weinor Beteiligungs-GmbH
Köln


VAT no.: 335 2381 16
Company no.: 12193066
UTR no.: 33431 24084
EORI no.: GB335238116000

Domestic transfers:
Commerzbank London
Sort Code: 406201
Account Number: 307 537 10
International transfers:
Commerzbank London
IBAN: GB51 COBA 4062 0130 7537 10
Swift: MIDLGB22 a/c COBAGB2X



Force 1 per fixing point [N]	: 5576	N
Torque per folding arm [Nm]	: 1182	Nm
Shear force per fixing [N]	: 126	N

Please note that your selected awning configuration results in the following forces per upper fixing point (pull-out, lateral and/or shear forces). These must be accounted for by using suitable fixings.

bracket position left 1st array	: 279 mm, displacement range from 180 mm to 379 mm		
bracket position right 1st array	: 279 mm, displacement range from 180 mm to 379 mm		
valance plus yes/no	: with valance plus		
type of operation valance plus	: engine		
valance plus motor end position preset to drive [cm]	: 210	cm	
Operation side of valance plus	: as awning		
Depth of valance plus	: 210	cm	838,00
Requested pattern, valance plus	: FE86-2171-177	pebble Soltis 86	
type of control	:  engine		
Side of control (seen from the front)	: right		
with remote control BiConnect	: Yes! Please remind the separate order!		
Information on BiConnect	: The BiConnect has been done in 202552989 position 2!		
Type of engine	: Motor L50-17-E12-V1+ ohne Zubehör		

weinor Ltd 73 Cornhill EC3V 3QQ London

customer: 165708 sales order 202552989

Page 3 of 4

pos	quantity	article code
-----	----------	--------------

real-design	:	WE3-849	my collections
colour of thread Saba	:	dark blue	
Glue fabric?	:	no, sewn fabric	
Cardboard container	:	edges reinforcement	
weight	:	106	kg

value of goods	discount amount / %	net
3.508,00	1.403,20 / 40,00	2.104,80

2	1,00	2557	BiConnect
---	------	------	-----------

Scheduling delivery	:	Please contact your person in charge for planning the expected date of delivery.	
deliver BiConnect separate?	:	No; supply receiver and handheld remote control with awning	
shipment info	:	The pre set receivers (except LED) and the handset will be packed with contract number 202552989 pos 1!	
Receiver for motor/light/valance plus	:	1	BiRec MVLED, basic 412,00
control	:	BiConnect BiEasy 5M (black version) 111,00	
learned on channel 1	:	BiRec MVLED, basic	for order 202552989/1: Semina Life engine right
No. of BiSens Agido-3V	:	1	Piece 141,00

value of goods	discount amount / %	net
664,00	265,60 / 40,00	398,40

value of goods	discount amount	net	VAT (0 %)	Total GBP
4.172,00	1.668,80	2.503,20	0,00	2.503,20

weinor Ltd
73 Cornhill
GB-EC3V 3QQ London
weinor.com

Managing Director:
Thilo Weiermann
General partner:
Weinor Beteiligungs-GmbH
Köln

VAT no.: 335 2381 16
Company no.: 12193066
UTR no.: 33431 24084
EORI no.: GB335238116000

Domestic transfers:
Commerzbank London
Sort Code: 406201
Account Number: 307 537 10

International transfers:
Commerzbank London
IBAN: GB51 COBA 4062 0130 7537 10
Swift: MIDLGB22 a/c COBAGB2X

weinor Ltd 73 Cornhill EC3V 3QQ London

customer: 165708 sales order 202552989

Page 4 of 4

This order confirmation is according to the current terms of payment and delivery.

<https://www.weinor.com/agb/>

delivery exw Cologne
payment: 5 days 5% discount; 30 days net
mode of dispatch UK export

weinor Ltd
73 Cornhill
GB-EC3V 3QQ London
weinor.com

Managing Director:
Thilo Weiermann
General partner:
Weinor Beteiligungs-GmbH
Köln

VAT no.: 335 2381 16
Company no.: 12193066
UTR no.: 33431 24084
EORI no.: GB335238116000

Domestic transfers:
Commerzbank London
Sort Code: 406201
Account Number: 307 537 10

International transfers:
Commerzbank London
IBAN: GB51 COBA 4062 0130 7537 10
Swift: MIDLGB22 a/c COBAGB2X