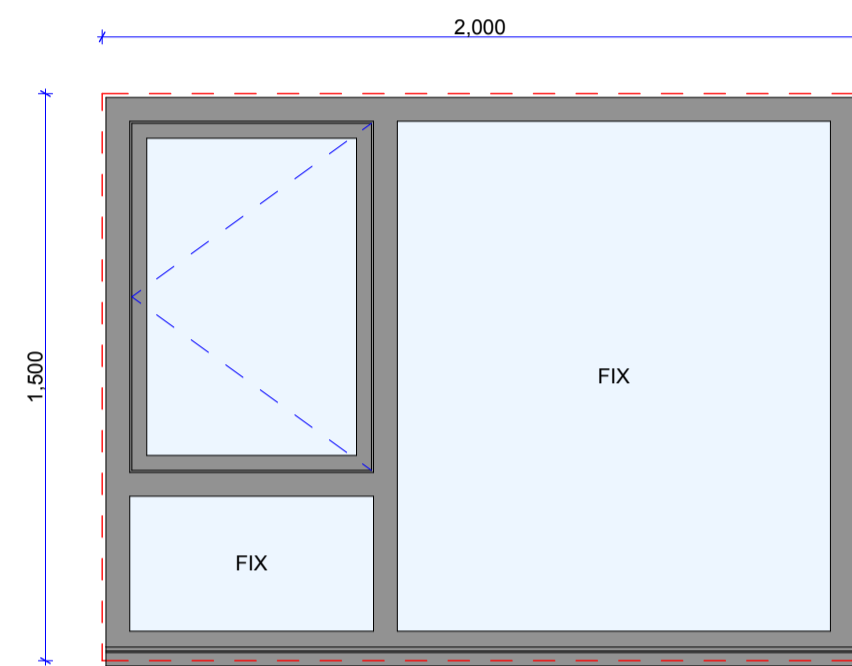


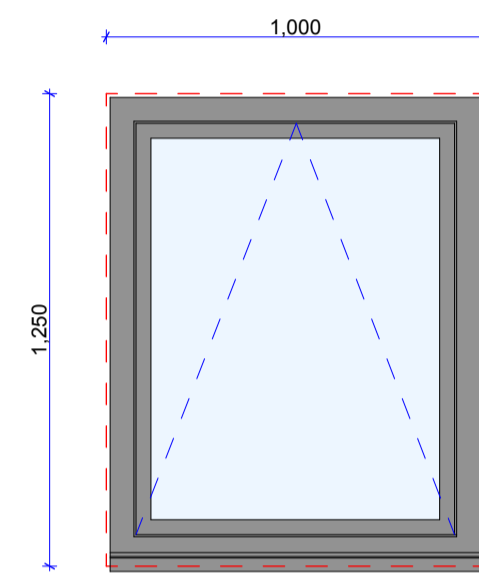
Note:
This document and its design content is copyright © of Tyrrell Dowinton Associates Ltd. It shall be read in conjunction with all other associated project information including models, specifications, schedules and related consultants documents. Do not scale from documents. All dimensions to be checked on site. Immediately report any discrepancies, errors or omissions on this document to the Originator. If in doubt ASK.

Revisions

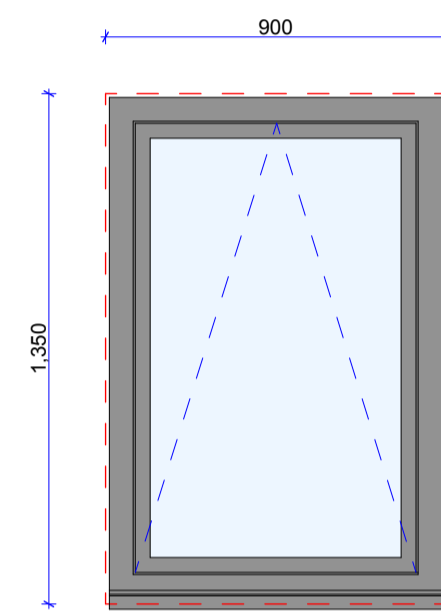
A	Window colours amended, glazed rooflight omitted	13-01-21	S B
---	--	----------	-----



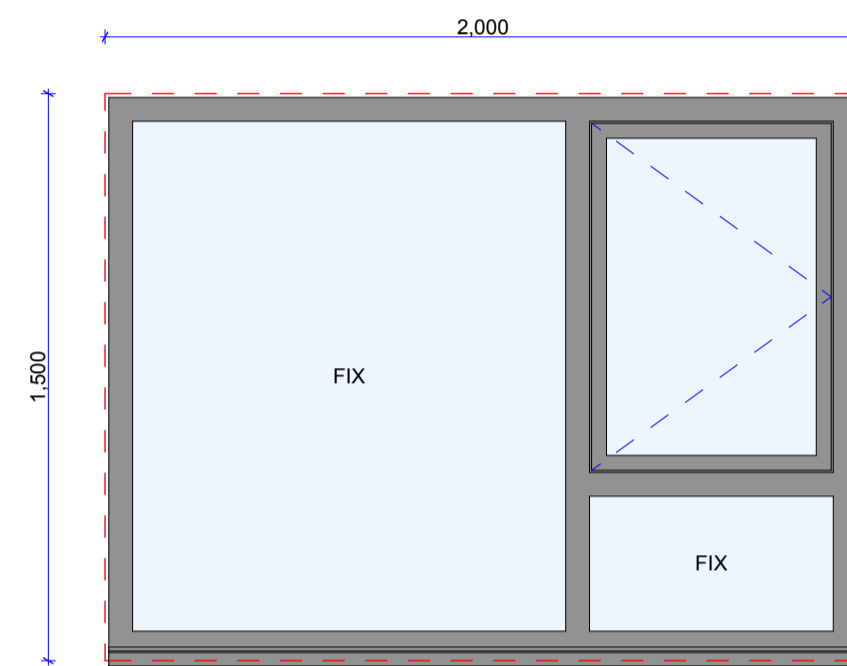
WF-03, WF-05, WF-06



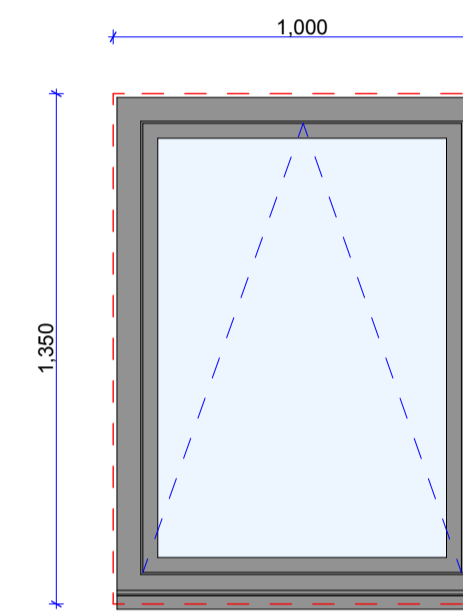
WF-07, WF-08, WF-09



WG-04, WG-07, WG-08



WF-02

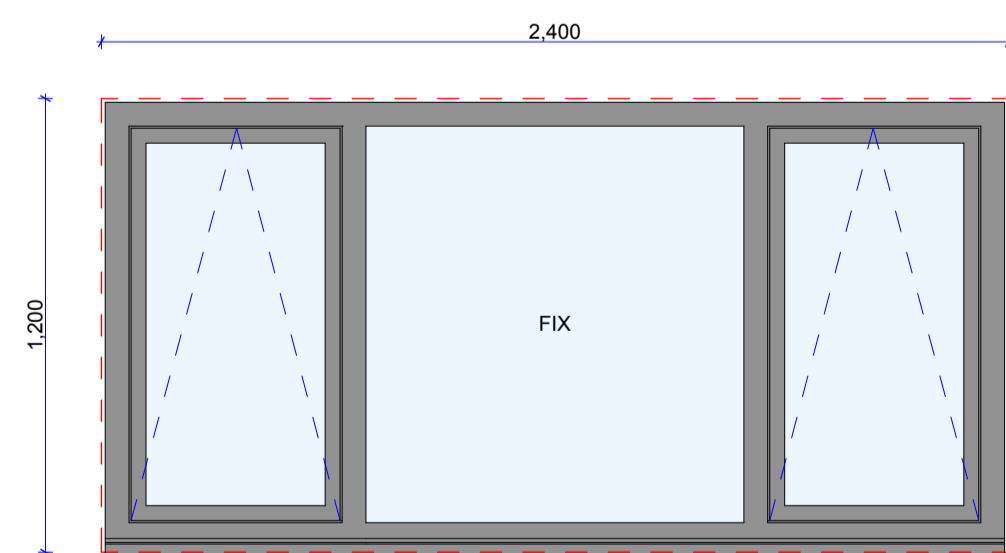


WG-09, WG-10

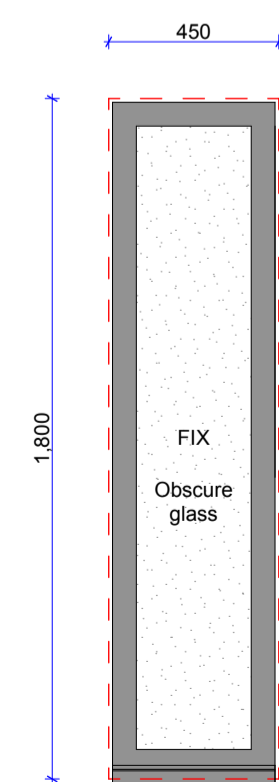
Windows to be Technal (previously SAPA) Dualframe 75 SI
External Frame Colour:
Syntha Pulvin product code M4L 0367 RAL/BS 7016
Internal Frame Colour:
Syntha Pulvin product code M4C 0046 RAL/BS 9002.

WF-01 & WF-04 may be Technal Elegance 52 curtain walling system
subject to confirmation from window manufacturer.

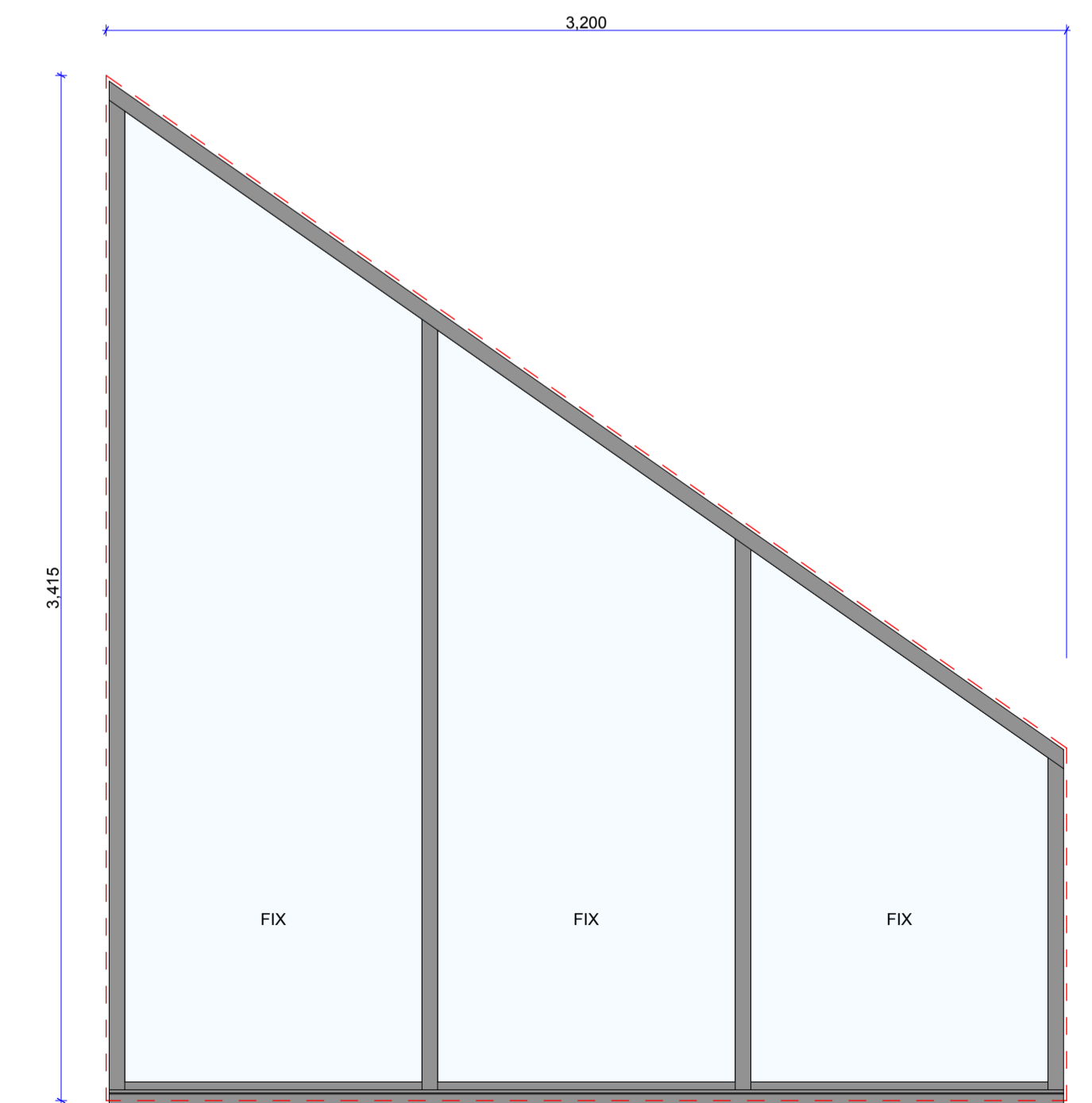
Drawings to be provided for all windows and doors for sign off prior to
fabrication. Structural opening dimensions to be checked on site prior to
fabrication.



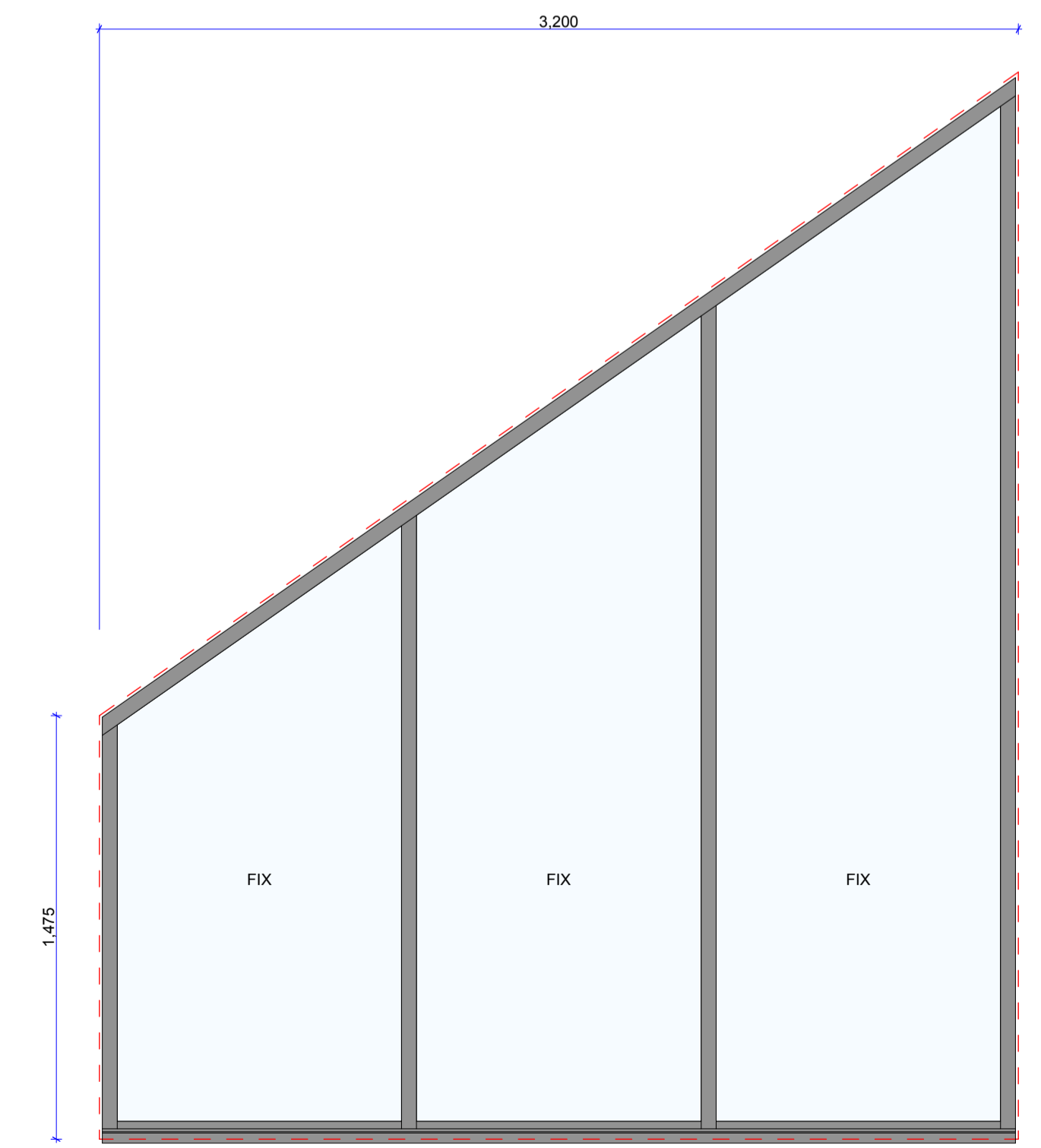
WG-05



WG-03



WF-01



WF-04

Tyrrell Dowinton Associates
Chartered Architects

RIBA
Chartered Practise

The Barn, Rue du Dos d'Ane, Castel, Guernsey, Channel Islands GY5 7LA
T 01481 259959 E mail@tda.gg W www.tda.gg

Project
Proposed Replacement Dwelling at Cedar Lodge
La Route de Sausmarez
St Martins

Client
Mr & Mrs C Silver
Cedar Lodge
La Route de Sausmarez
St Martins

Drawing title
Window Elevations

Date October 2020 **Drawn** S B

Scale 1:20 **Checked**

Project no. 2029 **Drawing no.** 06.03 A