



Delivered by DSV Road Limited



SO1CI-BEF37

Deliver
CP INTERIORS
RUE DES PRESS TRADING EST
JE2 7QPST SAVIOUR
JERSEY

Contact JENNIFER POTTER
Phone +44 (0) 1489 563195

Phone +441534768141
Delv. --
Delv. Time
Ref 202642865

Shipper
XXX WEINOR GMBH & CO. KG
MATHIAS-BRUEGGEN-STR. 110
DE-50829 KOELN OSSENDORF
GERMANY

DELIVERY ADVICE

Consignee
CP INTERIORS
RUE DES PRESS TRADING EST
JE2 7QPST SAVIOUR
JERSEY

Date 2022-04-06
Reference SOJE32-5224 SO1CI-BEF37
Terms FREE ON BOARD
F.O.B.
JERSEY
Originating member EBOO

Coll. 2022-04-05/
Unit.no DSV2039

Haulier -
Reg.no.

Weinor
SO11114
Bowen

RECEIVED
12 APR 2022
SCANNED

DELIVERY ADVICE

19 Boxes
Bowen
12-4-22

All business is transacted according to trading conditions that exclude or limit the liability of the company in certain circumstances. A copy of the relevant set of conditions will be supplied upon request.

202642865

Marks & Nos	No.of	Pkg.	Contents	Weight	KG	Volume
	19	CLL	AWNINGS	GW	630	6.622 CBM
				NW	630	
				EW	2205	

DSV-EURPLL ____ pcs. RETURN TO DSV

ASSOCIATED FREIGHT SERVICES LTD **A S**

I N T E R N A T I O N A L F R E I G H T F O R W A R D E R S

DELIVERY ADDRESS

CP INTERIORS C/O DSV ROAD LIMITED
10 BRUNEL WAY
SEGENSWORTH INDUSTRIAL ESTATE
FAREHAM, PO15 5TX
United Kingdom

Our reference 4708/22-13-1

Your reference 202642865

Date 31/03/2022

DELIVERY NOTE

SHIPPER:

WEINOR GMBH
MATHIAS-BRUGGEN-STRASSE 110
50829 KOLN
Germany

Special Instructions:

Terms of Shipment:

Number of Packages: 19 CARTONS 330

Gross Weight: 630.000

Description of Goods: AWNINGS/BLINDS
202642865

RECIEVED:

DATE:

SIGNED:

PRINT:

PALLETS/CARTONS RECIEVED IN GOOD CONDITION

5933

Subject to our terms and conditions, no claims for damages or shortages will be accepted unless made in writing within 7 days of delivery.

Unit 3E, Falcon Way off Central Way, Feltham, Middlesex TW14 0UQ

Tel: 020 8890 1066 - Fax: 020 8890 3398 - Email: info@afs-lon.co.uk - www.associatedfreight.co.uk

Registered office: Plaza Building, Lee High Road, London SE13 5PT - Registered in England No 2685525 - VAT No 584 4555 09



BRITISH INTERNATIONAL
FREIGHT ASSOCIATION



weinor Ltd 73 Cornhill EC3V 3QQ London

delivery note 223095395

Date of Print: 29.03.2022

delivery address
DSV Road Ltd**C P Interiors****Rue Des Pres Trading Estate****GB-JE2 7QN St Saviour Jersey**10 Brunel Way, Segensworth Industrial Estate
GB-PO15 5TX Hampshire, Fareham

England



202642865

phone number: 0044-1534-768141
customer: 165708
representat. 654 Chris Spickett
tel (representat.): 0044 (0) 7894443907sales order no.: 202642865
order date: 27.01.2022
reference: Bowen
Your order no.: SO11114

pos	quantity	article code	
1	1	2709	Terrazza
		Roofsystem	: 01 Terrazza L Originale
		Anticipated delivery	: 04.04.2022
		Lastannahmen zur Dachauslegung Quick & Easy	: .
		Lastsystem nach Typenstatik	: Terrazza Typ 1
		Lastfall Norddeutsche Tiefebene	: no
		Windzone	: 1 und 2 Binnenland
		Gebäudehöhe	: < 10m
		Permissible snow-bearing load	: 750 750 N/m ²
		abrutschende Schneelast	: no
		Schneeanwehung	: no
		External dimensions	: 2950mm x 3000mm Depth: wall connection profile up to INSIDE edge of post
		Bottom edge gutter (mm)	: 2150 mm
		Bottom edge connection to wall (mm)	: 2776 mm
		Top edge connection to wall (mm)	: 2969 mm
		Pitch of roof [°]	: 9,23 °
		Basic colour	: WT029/90147 WT029/90147 Approx. RAL 9007 Metallic
		Covering	: 10mm prepared for 10mm LSG

weinor Ltd
73 Cornhill
GB-EC3V 3QQ London
weinor.comManaging Director:
Thilo Weiermann
General partner:
Weinor Beteiligungs-GmbH
KölnVAT no.: 335 2381 16
Company no.: 12193066
UTR no.: 33431 24084
EORI no.: GB335238116000Domestic transfers:
Commerzbank London
Sort Code: 406201
Account Number: 307 537 10International transfers:
Commerzbank London
IBAN: GB51 0804 0062 0130 7537 10
Swift: MIDLGB22 a/c COBAGB2X

weinor Ltd 73 Cornhill EC3V 3QQ London

pos	quantity	article code		
			Weight [kg]	: 174,14 kg
2	1	2831	Side element LITE w50-c	
			Anticipated delivery	: 04.04.2022
			Number of packages	: 1
			weight	: 17,32 kg
			Width of element [mm]	: 2960
7	1	2235	Sottezza II OptiStretch	
			Anticipated delivery	: 04.04.2022
			Number of packages	: 1
			weight	: 60,2 kg
			External dimensions	: 2831X2970,7
8	1	2557	BiConnect	
			Anticipated delivery	: 04.04.2022
			Number of packages	: 0
				The BiConnect has been packed with pos 202642865/7!
9	1	2851	w17 easy - the full glass sliding door	
			Anticipated delivery	: 04.04.2022
			Number of packages	: 5
			weight	: 183,2 kg
			Width of element [mm]	: 2960 X 2150
			packaging	: 5 Export packaging/ glass pallet
10	1	2851	w17 easy - the full glass sliding door	
			Anticipated delivery	: 04.04.2022
			Number of packages	: 4
			weight	: 160,34 kg
			Width of element [mm]	: 2707 X 2150
			packaging	: 5 Export packaging/ glass pallet

weinor Ltd
73 Cornhill
GB-EC3V 3QQ London
weinor.com

Managing Director:
Thilo Weiermann
General partner:
Weinor Beteiligungs-GmbH
Köln

VAT no.: 335 2381 16
Company no.: 12193056
UTR no.: 33431 24084
EORI no.: GB335238116000

Domestic transfers:
Commerzbank London
Sort Code: 406201
Account Number: 307 537 10

International transfers:
Commerzbank London
IBAN: GB51 COBA 4062 0130 7537 10
Swift: MIDLG822 a/c COBAGB2X

weinor Ltd 73 Cornhill EC3V 3QQ London

pos	quantity	article code	
11	2	2842	Reveal profile 35 w50-c complete

Anticipated delivery : 04.04.2022
 Number of packages : 2
 weight : 8,8 kg
 Width of element [mm] : 2200

13	2	2842	Reveal profile 35 w50-c complete
----	---	------	----------------------------------

Anticipated delivery : 04.04.2022
 Number of packages : 2
 weight : 8,64 kg
 Width of element [mm] : 2200

mode of dispatch UK export

date	signature
------	-----------

delivery	exw Cologne
weight	629,9999 kg
package	19 Stk.

weinor Ltd
 73 Cornhill
 GB-EC3V 3QQ London
 weinor.com

Managing Director:
 Thilo Weiermann
 General partner:
 Weinor Beteiligungs-GmbH
 Köln

VAT no.: 335 2381 16
 Company no.: 12193066
 UTR no.: 33431 24084
 EORI no.: GB335238116000

Domestic transfers:
 Commerzbank London
 Sort Code: 406201
 Account Number: 307 537 10

International transfers:
 Commerzbank London
 IBAN: GB51 COBA 4062 0130 7537 10
 Swift: MIDLGB22 a/c COBAGB2X



weinor Ltd 73 Cornhill EC3V 3QQ London

delivery note 223095395

Date of Print: 29.03.2022

delivery address

DSV Road Ltd

10 Brunel Way, Segensworth Industrial Estate
GB-PO15 5TX Hampshire, Fareham

England

C P Interiors**Rue Des Pres Trading Estate****GB-JE2 7QN St Saviour Jersey**

202642865

phone number: 0044-1534-768141
customer: 165708
representat. 654 Chris Spickett
tel (representat.): 0044 (0) 7894443907sales order no.: 202642865
order date: 27.01.2022
reference; Bowen
Your order no.: SO11114**pos quantity article code**

1 1 2709 Terrazza

Roofsystem	: 01	Terrazza L Originale
Anticipated delivery	: 04.04.2022	
Lastannahmen zur Dachauslegung Quick & Easy	: .	
Lastsystem nach Typenstatik	: Terrazza Typ 1	
Lastfall Norddeutsche Tiefebene	: no	
Windzone	: 1 und 2 Binnenland	
Gebäudehöhe	: < 10m	
Permissible snow-bearing load abrutschende Schneelast	: 750	750 N/m ²
Schneeanwehung	: no	
External dimensions	: 2950mm x 3000mm	Depth: wall connection profile up to INSIDE edge of post
Bottom edge gutter (mm)	: 2150	mm
Bottom edge connection to wall (mm)	: 2776	mm
Top edge connection to wall (mm)	: 2969	mm
Pitch of roof [°]	: 9,23	°
Basic colour	: WT029/90147	WT029/90147 Approx. RAL 9007 Metallic
Covering	: 10mm	prepared for 10mm LSG

weinor Ltd
73 Cornhill
GB-EC3V 3QQ London
weinor.comManaging Director:
Thilo Weiermann
General partner:
Weinor Beteiligungs-GmbH
KölnVAT no.: 335 2381 16
Company no.: 12193066
UTR no.: 33431 24084
EORI no.: GB335238116000Domestic transfers:
Commerzbank London
Sort Code: 406201
Account Number: 307 537 10International transfers:
Commerzbank London
IBAN: GB51 COBA 4062 0130 7537 10
Swift: MID1GB22 a/c COBAGB2X

weinor Ltd 73 Cornhill EC3V 3QQ London

pos	quantity	article code	
		Information about roofing	: 1
		basic element	: 101
		Seals	: 0
		Connection to wall left?	: 0
		Connection to wall right?	: 2
		Static adjustment of the roof for glazing element under side roof-beams on left and / or right?	: w50L
		Roof support type, inner roof supports	: 3
		Roof support type, outer roof supports left	: 3
		Roof support type, outer roof supports right	: 3
		Transom over all roof panels	: yes
		Further transoms across all roof sections	: no
		Axial dimension rafter	: 952,3
		Number of posts	: 2
		Post position on the left	: 60,5
		Post position on the right	: 67,5
		Max. distance between posts	: 3950
		Length of post	: 2600
			: 1
			:
		Post attachment left	: 8
		Post attachment right	: 7
		Number of caps for post plate	: 1
		Number of caps for post plate	: 1
		Drain on left side?	: 3
		Leaf protection screen (no extra cost)	: yes
		Provision for fitting Sottezza.	: 6
		Sottezza-Type	: 2230
		Anzahl Packstücke	: 4
		Caution! The dimensions for web plates and/or glass cannot be changed and only apply to the covering you have selected!!	
		Type A pent roof	
		silicone-containing seals	
		No wall connection on left	
		Continuous wall connection on right	
		Yes, statics for GEs (w50-c lite side element)	
		150 roof support without steel	
		150 roof support without steel	
		150 roof support without steel	
		mm	
		Piece	
		mm	
		mm	
		mm with no steel in gutter	
		mm	
		Please note that the standard length for square posts is 2600mm!	
		196x196 post plate	
		116x196 post plate	
		Piece	
		Piece	
		Drain through the left post	
		Leaf guard same width as roof	
		Piece	
		Sottezza stretch/optistretch (alle variants)	

weinor Ltd
73 Cornhill
GB-EC3V 3QQ London
weinor.com

Managing Director:
Thilo Weiermann
General partner:
Weinor Betätigungsgesellschaft
Köln

VAT no.: 335 2381 16
Company no.: 12193066
UTR no.: 33431 24084
EORI no.: GB335238116000

Domestic transfers:
Commerzbank London
Sort Code: 406201
Account Number: 307 537 10

International transfers:
Commerzbank London
IBAN: GB51 0830 0300 0000 0000 0000
Swift: MIDLGB22 a/c COBAGB2X

weinor Ltd 73 Cornhill EC3V 3QQ London

pos	quantity	article code		
			Weight [kg]	: 174,14 kg
2	1	2831	Side element LITE w50-c	
			Anticipated delivery	: 04.04.2022
			Number of packages	: 1
			weight	: 17,32 kg
			Width of element [mm]	: 2960
7	1	2235	Sothezza II OptiStretch	
			Anticipated delivery	: 04.04.2022
			Number of packages	: 1
			weight	: 60,2 kg
			External dimensions	: 2831X2970,7
8	1	2557	BiConnect	
			Anticipated delivery	: 04.04.2022
			Number of packages	: 0
				The BiConnect has been packed with pos 202642865/7!
9	1	2851	w17 easy - the full glass sliding door	
			Anticipated delivery	: 04.04.2022
			Number of packages	: 5
			weight	: 183,2 kg
			Width of element [mm]	: 2960 X 2150
			packaging	: 5 Export packaging/ glass pallet
10	1	2851	w17 easy - the full glass sliding door	
			Anticipated delivery	: 04.04.2022
			Number of packages	: 4
			weight	: 160,34 kg
			Width of element [mm]	: 2707 X 2150
			packaging	: 5 Export packaging/ glass pallet

weinor Ltd
73 Cornhill
GB-EC3V 3QQ London
weinor.com

Managing Director:
Thilo Weiermann
General partner:
Weinor Beteiligungs-GmbH
Köln

VAT no.: 335 2381 16
Company no.: 12193066
UTR no.: 33431 24084
EORI no.: GB335238116000

Domestic transfers:
Commerzbank London
Sort Code: 406201
Account Number: 307 537 10
International transfers:
Commerzbank London
IBAN: GB51 COBA 4062 0130 7537 10
Swift: MIDLGB22 a/c COBAG82X

weinor Ltd 73 Cornhill EC3V 3QQ London

pos	quantity	article code	
11	2	2842	Reveal profile 35 w50-c complete

Anticipated delivery	:	04.04.2022	
Number of packages	:	2	
weight	:	8,8	kg
Width of element [mm]	:	2200	

13	2	2842	Reveal profile 35 w50-c complete
----	---	------	----------------------------------

Anticipated delivery	:	04.04.2022	
Number of packages	:	2	
weight	:	8,64	kg
Width of element [mm]	:	2200	

mode of dispatch UK export

date	signature
delivery	exw Cologne
weight	629,9999 kg
package	19 Stk.

weinor Ltd
73 Cornhill
GB-EC3V 3QQ London
weinor.com

Managing Director:
Thilo Weiermann
General partner:
Weinor Beteiligungs-GmbH
Köln

VAT no.: 335 2381 15
Company no.: 12193066
UTR no.: 33431 24084
EORI no.: GB335238116000

Domestic transfers:
Commerzbank London
Sort Code: 406201
Account Number: 307 537 10
International transfers:
Commerzbank London
IBAN: GB51 0830 4062 0130 7537 10
Swift: MIDLGB22 a/c COBAG82X

Configuration details

weinor Ltd 73 Cornhill EC3V 3QQ London

C P Interiors

**Rue Des Pres Trading Estate
GB-JE2 7QN St Saviour Jersey**

reference: **Bowen**
 Your order no.: **SO11114**
 weinor customernumber: 165708
 creation Date: 27.01.2022
 weinor pers. in charge: William Abbott
 phone / fax number: +49-221-59709-472
 representat.: Chris Spickett
 tel (representat.): 0044 (0) 7894443907

pos	quantity	article
-----	----------	---------

O.C. version 2 of 28.01.2022

Changes:

WE have added 4 no. of lite profiles @2200mm (35 reveal profiles) w/o any brackets

Pos 9;

Closing profile will be on the right and not on the left side.

Dear customer,

please find your order confirmation including your required dimensions

NEW : You can now release your order in E-Shop on your own and can
 You can also stop your order faster directly online.

If ok please fax back the first page with an ok and release sign.

Then the product will be manufactured and we will give you a delivery date

Please fax to : 0049/(0)221-5 97 09 898 or email: freigabe@weinor.de

Thank you very much.

YOUR RELEASE:
 (sign) (date)

*to file
 = Rachel
 ordering
 glass from
 Sorel Glass.*

1 1 weinor

Roofsystem	: Terrazza L Originale
	: ATTENTION! Element is supplied without glass!
Permissible snow-bearing load	: 750 N/m ²
External dimensions	: 2950mm x 3000mm Depth: wall connection profile up to INSIDE edge of post

weinor Ltd
 73 Cornhill
 GB-EC3V 3QQ London
 weinor.com

Managing Director:
 Thilo Weiermann
 General partner:
 Weinor Beteiligungs-GmbH
 Köln

VAT no.: 335 2381 16
 Company no.: 12193066
 UTR no.: 33431 24084
 EORI no.: GB335238116000

Domestic transfers:
 Commerzbank London
 Sort Code: 406201
 Account Number: 307 537 10

International transfers:
 Commerzbank London
 IBAN: GB51 COBA 4062 0130 7537 10
 Swift: MIDLGB22 a/c COBAGB2X

Configuration details

weinor Ltd 73 Cornhill EC3V 3QQ London

customer: 165708 reference: Bowen

Page 3 of 12

pos	quantity	article
		Number of post base plates 196x196 : 1 Piece
		Number of caps for post plate : 1 Piece
		Number of caps for post plate : 1 Piece
		Drain on left side? : Drain through the left post
		Number of drains through posts incl. down pipes with bends 87° : 1 incl. downspout and 87° elbow
		Leaf protection screen (no extra cost) : Leaf guard same width as roof
		Provision for fitting Sottezza. Sottezza-Type : 6 Piece : Sottezza stretch/optistretch (alle variants)
		Substructure elements available (from outside) : UBB glazing elements on both sides
		Projection Sottezza [mm] : 2970,7 mm
		The specified length does account for 40 mm spacing from the wall or 20 mm from the guttering.
		Distance from Sottezza to the wall : 40 mm
		Distance from Sottezza to the gutter : 20 mm
		Projection of WGM : 3138 mm
		The specified length does account for 20 mm and an overhang on the end of rafter 30 mm from the guttering.
		Left-hand wall : Rectangular pipe 100x30 Rectangular pipe 50x30
		Exclusively for weinor-eshop orders, we further simplified installation: various assemblies are delivered in a pre-assembled state or are blocked out for installation!
		: 8,26 m ²
		Note glass area : The glass surface concern only the roof.
		50 x 2 mm flat aluminium : 2 Piece
		Length of 50 x 2 mm flat aluminium : 3000 mm
		Weight [kg] : 148,75 kg

Configuration details

weinor Ltd 73 Cornhill EC3V 3QQ London

customer: 165708 reference: Bowen

Page 5 of 12

pos quantity article

7 1 weinor Sottezza II OptiStretch

Product use : private house
 Anticipated delivery : 04.04.2022
 Sales order Terrazza : 202642865
 Posn. of the sales order for Terrazza : 1
 Number of units : single unit
 width Terrazza [mm] : 2950 mm
 Distance centre to centre field : 2795 mm
 Width of cassette total [mm] : 2831 mm
 Projection [mm] : 2970,7 mm
 Basic colour : WT029/90147 Approx. RAL 9007 Metallic
 Cable clips along the back of the cassette : without cable clips along the back of the cassette
 type of control : motor (Becker)
 Side of control (seen from the front) : right
 with remote control BiConnect : Yes! Please remind the separate order!
 Information on BiConnect : The BiConnect has been done in 202642865 position 8!
 Type of engine :
 Side channel bracket : 4 Piece
 brackets top plate : 2 Piece
 real-design : WE3-719 my collections
 colour of thread Saba : RAL 7001 Silver grey
 Cardboard container : edges reinforcement
 weight : 52 kg

8 1 weinor BiConnect

deliver BiConnect separate? : No; supply receiver and handheld remote control with awning
 shipment info : The pre set receivers (except LED) and the handset will be packed with contract number 202642865 pos 7!
 Receiver for motor/control : 1 BiRec MA, basic
 learned on channel 1 : BiConnect BiEasy 1M (black version)
 : BiRec MA-K, basic for order 202642865/7: Sottezza II OptiStretch engine right

Configuration details

weinor Ltd 73 Cornhill EC3V 3QQ London

customer: 165708 reference: Bowen

Page 7 of 12

pos	quantity	article
10	1	weinor w17 easy - the full glass sliding door

.	: ATTENTION! Element is supplied with glass!
Product use	: private house
Width of element [mm]	: 2707 X 2150
type of floor rail	: standard floor rail with CleanCase
CleanCase left (from inside)	: yes
CleanCase right (from inside)	: yes
Selection of leaves + tracks	: 3-track with 3 leaves
Position of active leaf?	: right, as seen from inside
Direction of opening	: sliding to the left
Glazing	: 10 mm toughened safety glass, clear
Soft-Closing-System	: Soft-Closing-System standard
handling	: cup pull handle with A4 stainless steel attachment
leaf actuator	: leaf actuator only closing in sliding direction
Locking mechanism on inside, on bottom glass retainer profile	: Standard: Glass retainer profile, pre-drilled
Height of knob from bottom edge of guide track (mm)	: 1000 mm
Basic colour	: WT029/90147 Approx. RAL 9007 Metallic
brush seal	: 2 x Brush profile transparent for 10 mm glass, length 2800 mm
gap seal	: 2 x Spaltdichtungen für 10 mm Glas, Länge 2500 mm
Note	: Despite brush and, where applicable, gap sealing the w17 easy is neither totally windproof nor water-proof against driving raining
Cardboard container	: edges reinforcement
packaging	: Export packaging/ glass pallet
weight	: 159 kg

Configuration details

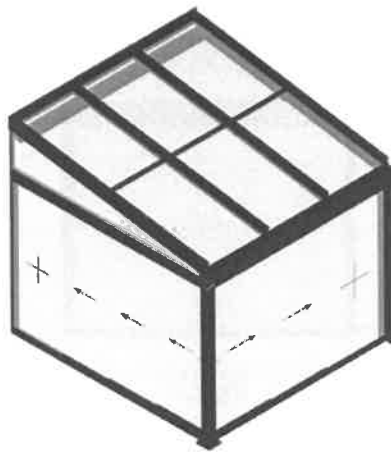
weinor Ltd 73 Cornhill EC3V 3QQ London

customer: 165708

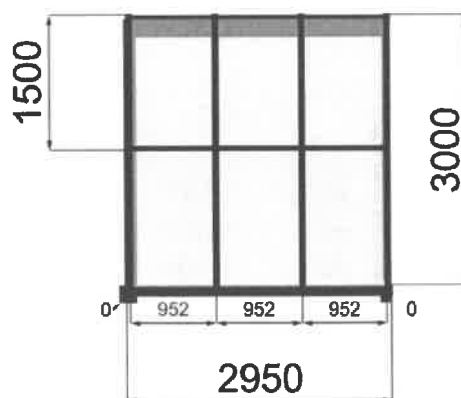
reference: Bowen

Page 9 of 12

isometric view



top view



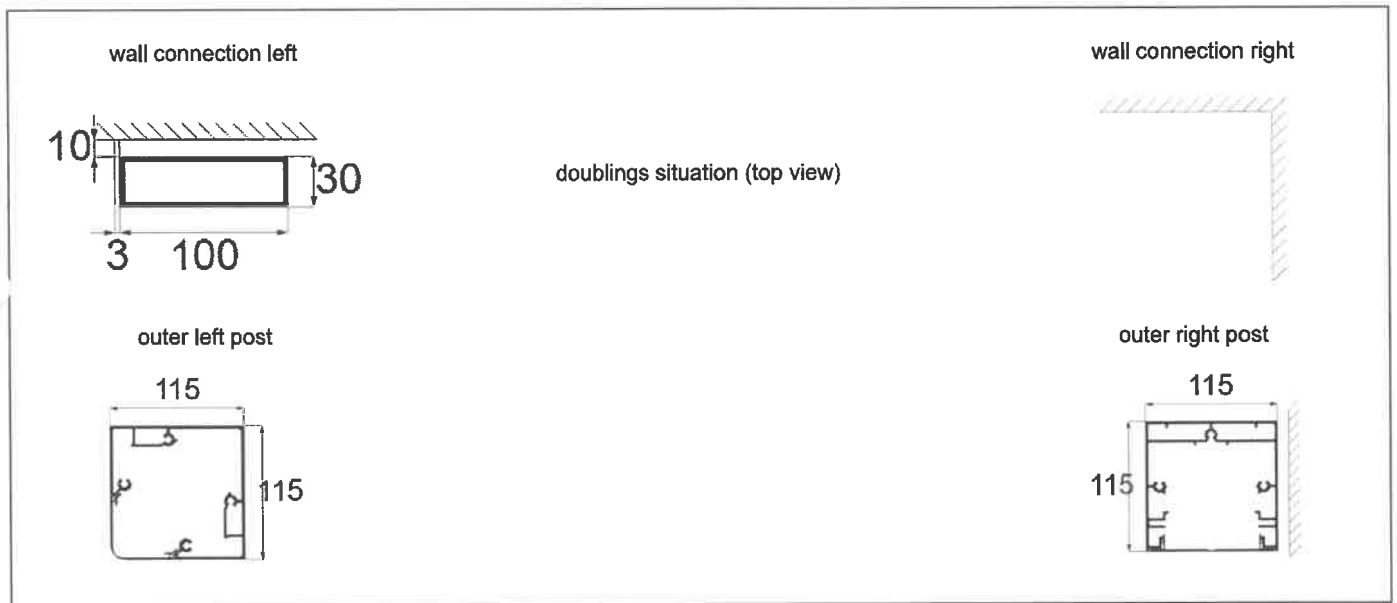
Configuration details

weinor Ltd 73 Cornhill EC3V 3QQ London

customer: 165708

reference: Bowen

Page 11 of 12





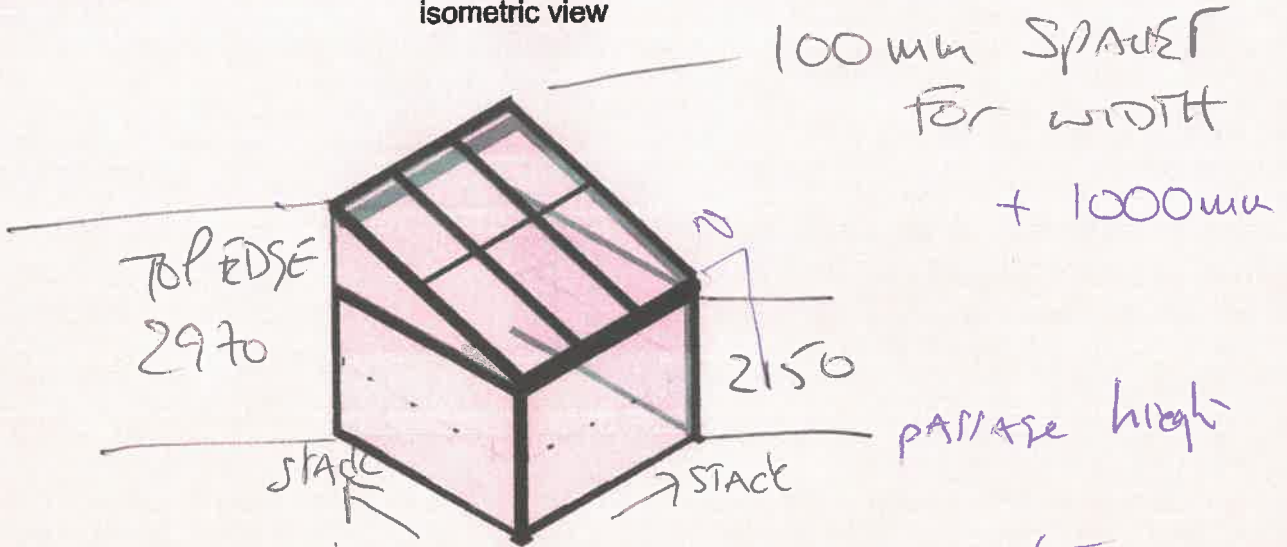
4 @ 2-2m of lite frame

Configuration details

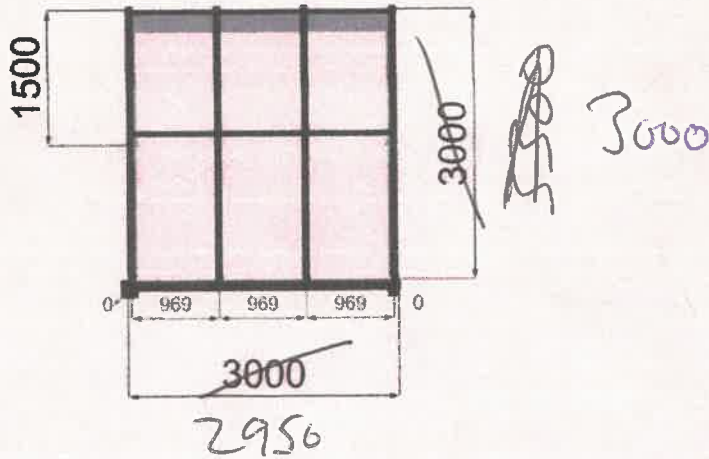
weinor Ltd 73 Cornhill EC3V 3QQ London

customer: 165708 reference: bowen

isometric view



top view



2 x 3m for left wall context vent.

Max. 2800

3.1

2950

9000

weinor Ltd 73 Cornhill GB-EC3V 3QQ London weinor.com

Managing Director: Thilo Weiermann General partner: Weinor Beteiligungs-GmbH Köln

VAT no.: 335 2381 16 Company no.: 12193066 UTR no.: 33431 24084 EORI no.: GB335238116000

Domestic transfers: Commerzbank London Sort Code: 406201 Account Number: 307 537 10

International transfers: Commerzbank London IBAN: GB51 COBA 4062 0130 7537 10 Swift: MIDLGB22 a/c COBAG82X

Lead @ top + right

Motor R.