



nited



SO1CI-Z3393

Deliver
 CP INTERIORS
 RUE DES PRESS TRADING EST
 JE2 7QPST SAVIOUR
 JERSEY

Contact CHRISTY-MAY HINES
 Phone 3184

Phone +441534768141
 Delv. --
 Delv. Time.
 Ref SO-04509

Shipper
 MILLBROOK GROUP
 ASTON WAY
 LEYLAND
 PR26 7TA

DELIVERY ADVICE

Consignee
 CP INTERIORS
 RUE DES PRESS TRADING EST
 JE2 7QPST SAVIOUR
 JERSEY

Date 2021-03-03
 Reference SOJE32-4422 SO1CI-Z3393
 Terms FREE ON BOARD
 F.O.B.
 JERSEY
 Originating member EBOO

Coll. 2021-03-03/
 Unit.no DSV952011

Haulier -
 Reg.no.

SOLOS35 WARGING

RECEIVED

5 MAR 2021

SCANNED

DELIVERY ADVICE

All business is transacted according to trading conditions that exclude or limit the liability of the company in certain circumstances. A copy of the relevant set of conditions will be supplied upon request.

SO-04509

Marks & Nos	No.of	Pkg.	Contents	Weight	KG	Volume
	1	PLL	WINDOW FIXINGS	GW	769	
				NW	769	
				EW	3500	2.0 LDM
DSV-EURPLL _____ pcs. RETURN TO DSV						

Heather Veal

From: Home
Sent: 07 January 2021 10:44
To: Kevin@milwoodgroup.com
Subject: RE: Order SO10535 Wareing

Importance: High

Good morning Kevin,

Can I place an order for the following.

Simplicity 6 RAL 9016
3.6M X 1.8M with 6mm Toughened Clear Glass Roof Panels, Passage height 2.1m, Wall height 2.45m
LHS infill Panel with 28mm Glass Sealed Unit - looking from inside
4 x Gallow Brackets
Clear self-cleaning glass.

Kind regards

Heather

Heather Veal
Interior Design Advisor
home@cpinteriors.ie

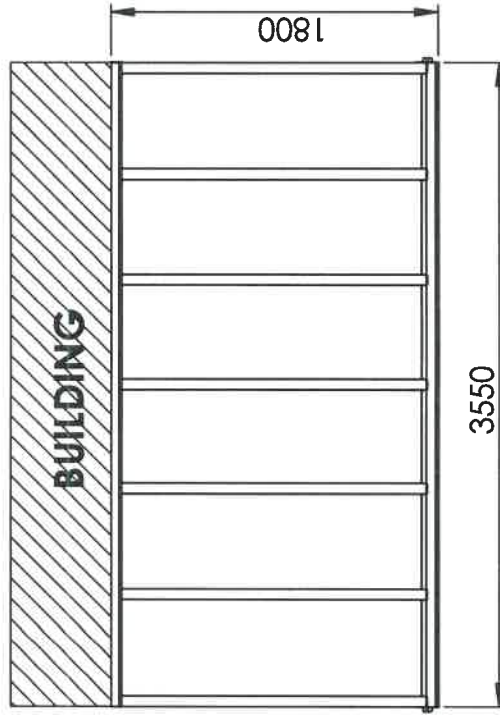
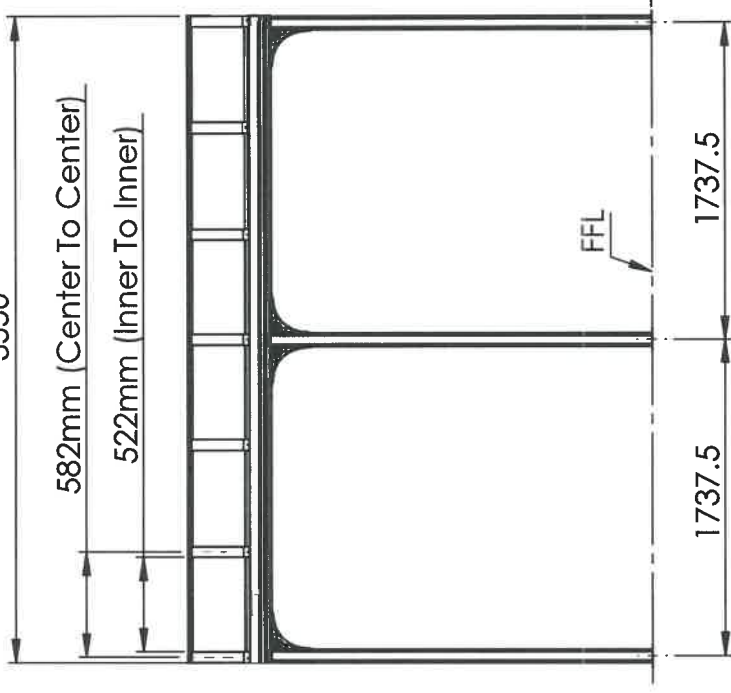


CP INTERIORS

Tel: (01534) 768141 www.cpinteriors.ie
Rue Des Pres Trading Estate, St Saviour, Jersey, JE2 7QP

Blinds | Curtains | Awnings | Shutters | Furnishings |
Interior Design | Project Management

FRONT VIEW & ROOF TOP VIEW WITH BUILDING

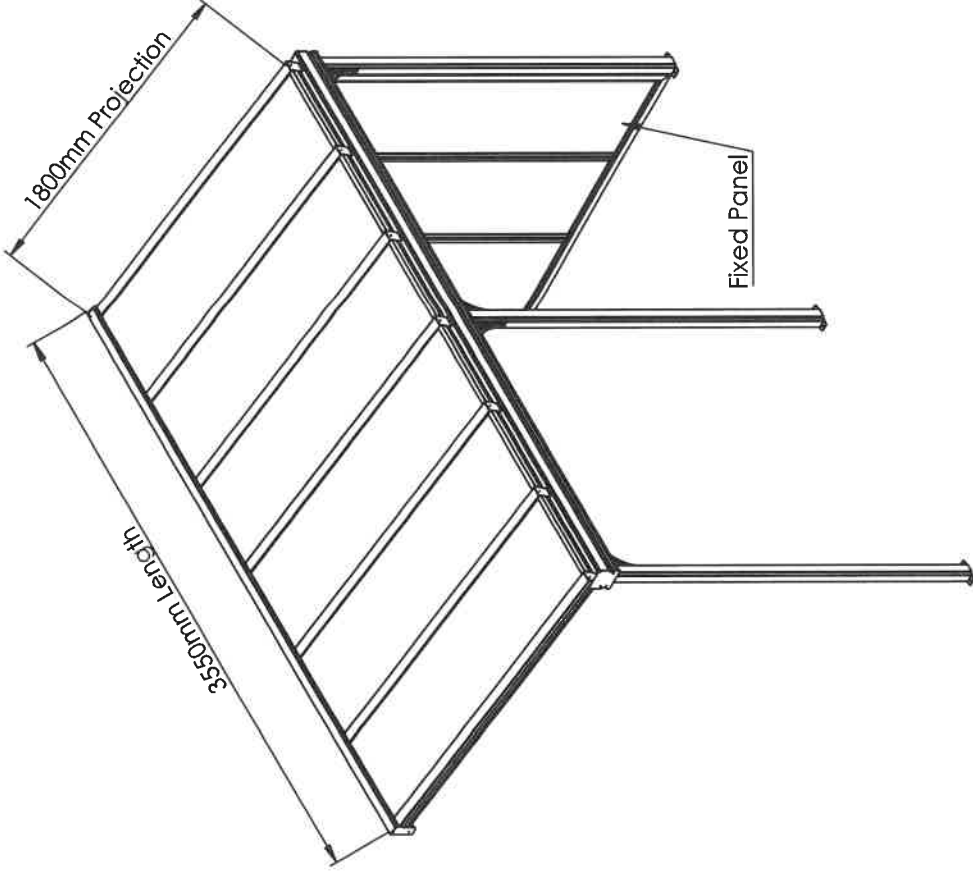
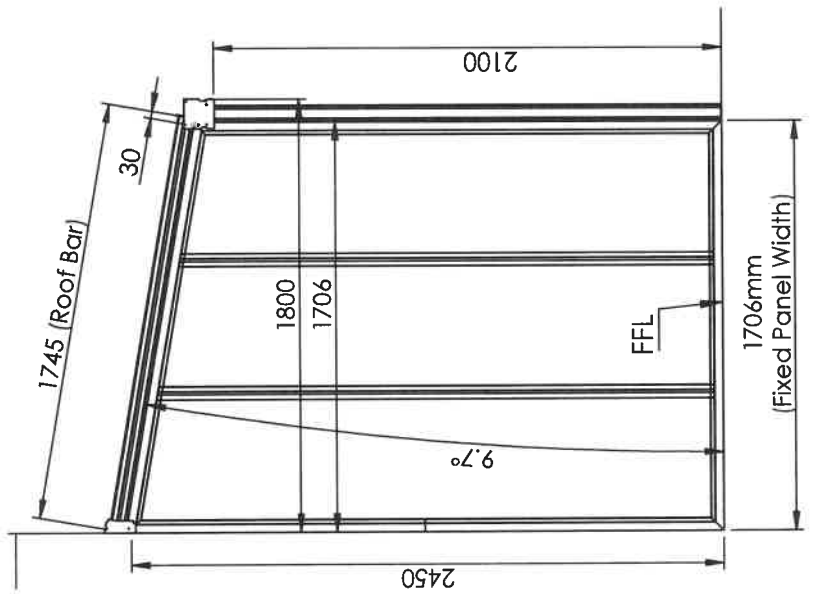
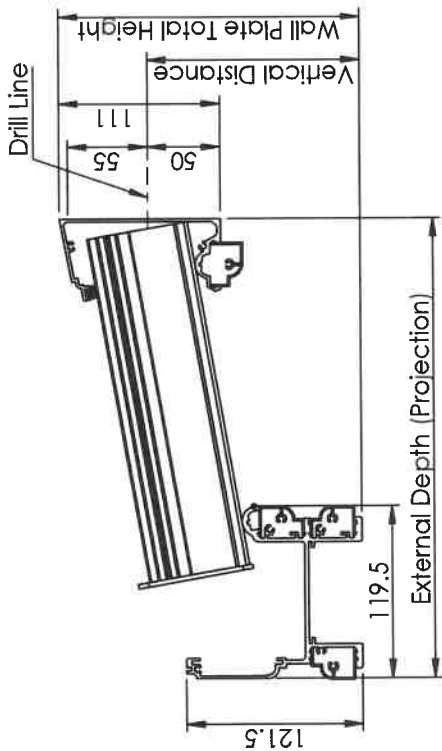


Attention: This is a CAD drawing for reference only.
For Installation instructions, please refer to the install guide.

Customer Reference :	CP Interiors					
Customer Sign :	SOT0535 Wareing					
Order No. :	Simplicity 6					
	3rd Angle Projection	Page	Date	Page Size	Scale	Drawn
		1 OF 9	09/01/21	A4 (L)	NTS	RD
	Finish	Issuer	(Tol) +/-	Sequence	Revision	
	PPC	ACS	1 mm	000001	v1.0	

Finish : Powder Coated To RAL 9016 Semi Gloss.
Glass : 6mm Clear Glass Roof Panels .
Weight : 169.66 KG.

CROSS SECTION VIEW & ISOMETRIC VIEW



Customer Reference :
SO10535 Wareing

Drawing Title :
CP Interiors

Product Name :
Simplicity 6

Customer sign :

Page :
2 OF 9

Date :
09/01/21

Page Size :
A4 (L)

Scale :
N1S

Sequence :
000001

Revision :
v1.0

Order No. :

Finish :
PPC

Issue :
ACS

Drawn :
RD

(To) :
+/-

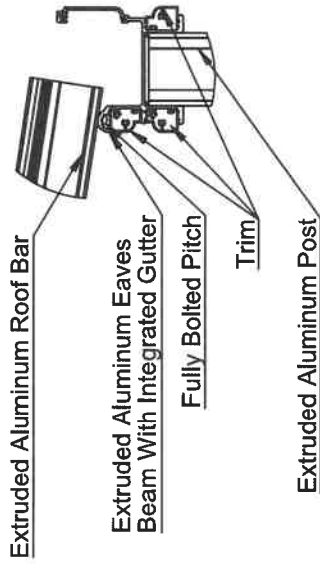
1 mm

Revision :
v1.0

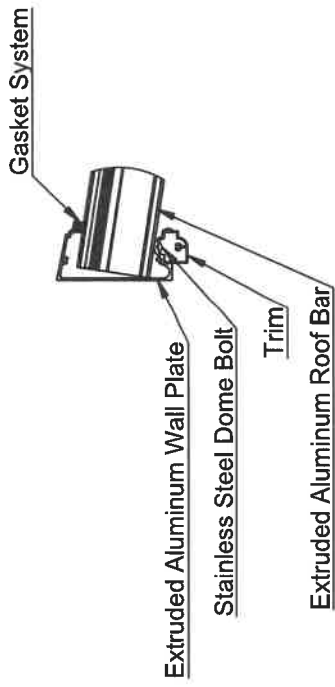
3rd Angle Projection

PRODUCT DETAIL

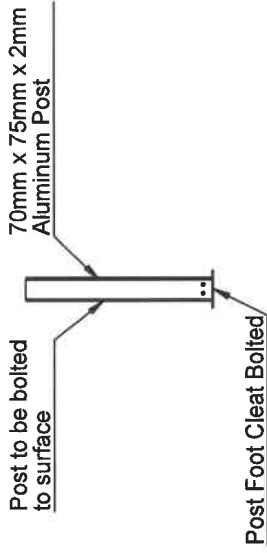
Eaves Beam Roof Bar & Post Section



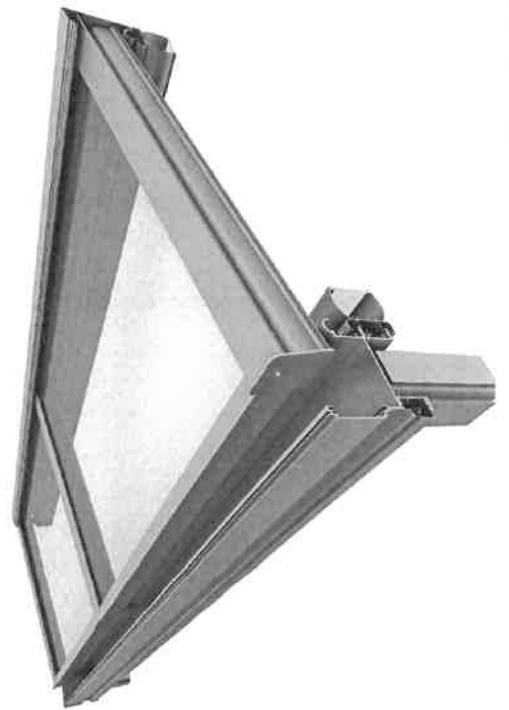
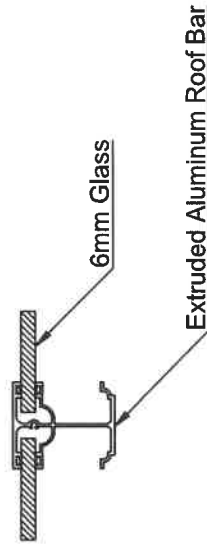
Wall Plate & Roof Bar Section



Base & Post Connection Information

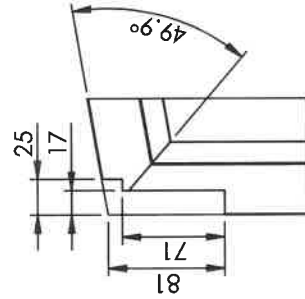
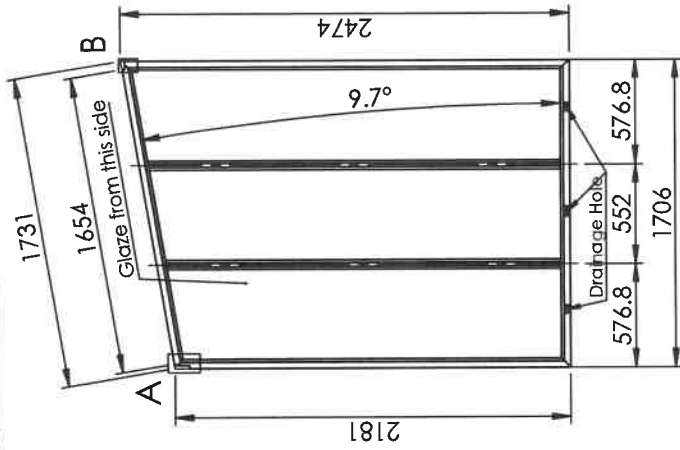


Roof Bar & Sheet Section

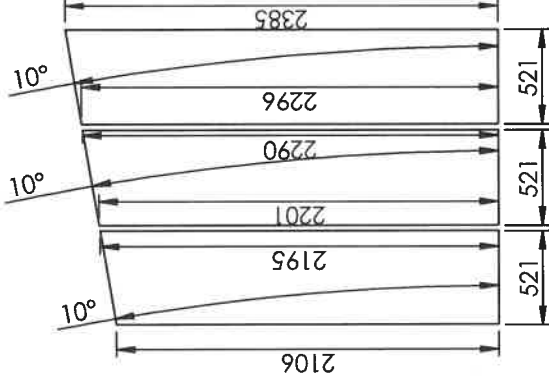


Customer Reference : SO10535 Wareing	Drawing Title : CP Interiors		Page 3 OF 9	Date 09/01/21	Page Size A4 (L)	Scale NTS	Drawn RD
Customer Sign :	Product Name : Simplicity 6		3rd Angle Projection	Issue ACS	Sequence 000001	Revision v1.0	
Order No. :	Finish PPC	(Tol) +/- 1 mm					

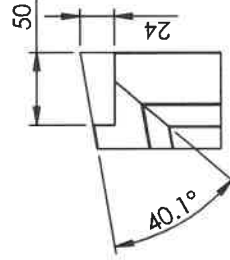
Cheese Frame Details



DETAIL A



Glass Size



DETAIL B

Customer Reference : SO 10535 Wareing	Drawing Title : CP Interiors		Page 4 OF 9	Date 09/01/21	Scale NTS	Drawn RD
Customer Sign :	Product Name : Simplicity 6		Issue ACS	(To) +/-	Sequence 000001	Revision v1.0
Order No. :	Finish PPC	3rd Angle Projection	Issue ACS	(To) +/-	Sequence 000001	Revision v1.0

CUTTING & PICKING LIST OF STOCKED ITEMS REQUIRED

CUTTING LIST				Cut	Checked	Delivered	RAL Code :	Colour & Finish of Canopy :
ITEM NO.	PRODUCT CODE	DESCRIPTION	QTY.					
1	S6/MainBar	Sim 6 Main Bar	5	1745mm			RAL 9016	
2a	S6/EndBar	Sim 6 End Bar	2	1745mm				Semi Gloss
3a	S6&16/Wall Plate	Sim 6 & 16 Wall Plate	1	3550mm				
3b	S6&16/Wall Plate	Sim 6 & 16 Wall Plate	0					
4a	S6&16/Gutter	Sim 6 & 16 Gutter	1	3550mm				
4b	S6&16/Gutter	Sim 6 & 16 Gutter	0					
5a	S6/Trim	Sim 6 Gutter & Wall Plate Trim	4	3550mm				
5b	S6/Trim	Sim 6 Gutter & Wall Plate Trim	0					
6	S6/FSection	Sim 6 F Section 6mm	6	522mm				
7a	S6&16/Standard Post	Sim 6 & 16 Standard Post	3	3000mm				
7b	S6&16/SquarePost	Sim 6 & 16 Square Post	0					
8a	GS6&16/SquarePost	Grey Sim 6 & 16 Square Post	0					
8b	SimX/Post	Simplicity Xtra Post	0					
9	Drainage/DPWhite	White Square Downpipe 5.5m	1	2750mm				
10	Drainage/DPBlack	Black Square Downpipe 5.5m	0					
11a	Castings/GB220	Gallows Bracket 220mm x 220mm	4	220mm				
11b	Castings/GB300	Gallows Bracket 300mm x 300mm	0					
11c	Castings/GB450	Gallows Brackets 450mm x 450mm	0					
12a	S6/GutterInfill	Sim 6 Gutter Infill	2	1660mm				
12b	S6/GutterInfill	Sim 6 Gutter Infill	0					
13	Castings/VBase	Victorian Base Casting 6 & 16	0					

System Delivery Address

Address	CP Interiors, Rue des Pres Trading Estate St Saviour Jersey
Post Code	JE2 7QN
Post Code for installation	
Delivery Date :	

Warehouse	Customer Reference : SO10535 Wareing	Drawing Title : CP Interiors	Product Name : Simplicity 6
Checked By :	Customer Sign :	Page	Date
	Order No. :	5 OF 9	09/01/21
		Issue	(Tol) +/-
		ACS	1 mm
		Finish	PPC
		Scale	Sequence
		NTS	000001
		Drawn	Revision
		RD	v1.0

CUTTING & PICKING LIST OF STOCKED ITEMS REQUIRED

PICKING LIST					Packed	Checked	Delivered
14	S6&16/BEPL	Sim 6 & 16 Main Bar End Plate	5				
15	S6/BarEndPlateOSH	Sim 6 & 16 Bar End Plate Off Set Hole	2				
16	S6/WPEP	Sim 6 Wall Plate End Plate	2				
17	S6/GEPL	Sim 6 Gutter End Plate	2				
18	S6&16/EAJoiner1	Sim 6 & 16 18 x 300 Gutter Joiner	0				
19	S6&16/EAJoiner2	Sim 6 & 16 61.5 x 300 Gutter Joiner 2	0				
20	S6&16/EAJoiner3	Sim 6 & 16 70 x 300 Gutter Joiner 3	0				
21	S6&16/CornerPlate	Sim 6 & 16 L Shape Flat Plate For Return Gutter	0				
22	S6&16/PostBracket1	Sim 6 & 16 In Ground Post Bracket	0				
23	S6&16/PostBracket2	Sim 6 & 16 Bolt To Ground Post Bracket	3				
24	Drainage/DPShoeWhite	White Down Pipe Shoe	1				
25	Drainage/DNAS/001	White Square Bend 90 degrees	0				
26	Drainage/DPSBend112W	112 Degree Square Downpipe Bend White	0				
27	Drainage/SFPC/WHITE	Single Fix square Downpipe Clip White	2				
28	Drainage/DPSBlack	Black Down Pipe Shoe	0				
29	Drainage/DPBBlack	Black Square Bend 90 degrees	0				
30	Drainage/DPSBend112B	112 Degree Square Downpipe Bend Black	0				
31	Drainage/SFPCBlack	Single Fix Square Downpipe Clip Black	0				
32	Drainage/40mm/Bend	40mm Internal Kit Swivel Bend	0				
33	Drainage/40mm/Joiner	40mm Internal Kit Straight Joiner	0				
34	Drainage/40mm/Pipe	40mm Internal Kit Down Pipe 3m	0				
35	Drainage/Spigot	Downpipe Spigot	1				
36	Silicone/SILC/001	Soudall White	1				
37	Silicone/SILC/002	Soudall Black	0				

	Warehouse	Customer Reference : SO10535 Wareing	Drawing Title : CP Interiors
Checked By :	Customer Sign :	Product Name : Simplicity 6	Page : 6 OF 9
Order No. :	3rd Angle Projection	Date : 09/01/21	Page Size : A4 (L)
	Finish : PPC	(To) +/- 1 mm	Scale : NTS
		Issuer : ACS	Sequence : 000001
			Revision : v1.0

CUTTING & PICKING LIST OF STOCKED ITEMS REQUIRED

39	Fastener 25	M6 X 20MM SS pan/pozi screws a4	34		
40	Fastener 04	No12 X 1.1/4 HEX SD SCS A2	72		
41	Fastener 13	no 10 x 1 hex self tapper ab zp din.7976c zinc plated	23		
42	Fastener 05	M6 NYLOC INSERT NUT ST/ST A4	34		
43	Fastener 51	M5 Black Domed Hex Head Cap	0		
44	Fastener 52	M5 White Domed Hex Head Cap	95		
45	Spraycan	Spray Can	1		
46	Sleeving/6INCHPVC	6" PVC Lay Flat Tubing	1	25000mm	
47	Sleeving/10INCHPVC	10" PVC Lay Flat Tubing	1	8000mm	
48	S6/WPG	Wall Plate Gasket	1	3550mm	
49	S6/GBGKT	Sim 6 Glazing Bar Top Gasket	14	1745mm	
50	S6/GBGKB	Sim 6 Glazing Bar Bottom Gasket	14	1745mm	
51	S6/Plastic Joiner	Black Plastic Joiner	0		
52	S6/PolyInfill	6mm Solid Clear Infill 600mm x 400mm	0		
53		Cutting List		2	
54		Simplicity 6 Installation Guide(Emailed)		1	
55	Glass/6MMACBLUE	6mm Self Cleaning Activ Blue Glass	0		
56	Glass/6MMACCLEAR	6mm Self Cleaning Activ Clear Glass	0		
57	Glass/6MMBLUE	6mm Blue Tinted Glass	0		
58	Glass/6MMBRONZE	Bronze Tinted Glass	0		
59	Glass/6MMGREEN	6mm Green Tinted Glass	0		
60	Glass/6MMGREY	6mm Grey Tinted Glass	0		
61	Glass/6MMTOUGH	6mm Clear Glass	6	Length-1745mm x Width-562mm	

Warehouse		Customer Reference : SO10535 Wareing		Drawing Title : CP Interiors	
Checked By :		Product Name : Simplicity 6		Page 7 OF 9	
Order No. :		3rd Angle Projection 		Date 09/01/21	
Customer Sign :		Finish PPC		Issue ACS	
Sequence 000001		(Tol) +/- 1 mm		Scale NTS	
Revision v1.0		Sequence 000001		Drawn RD	

CUTTING & PICKING LIST OF STOCKED ITEMS REQUIRED

SPECIAL ITEMS TO BE ORDER IN

1	Lighting/Adhesive	LED Strip Adhesive Tape	0		
2	Lighting/AFEC/001	Lighting channel end cap	0		
3	Lighting/AFLC/001	Lighting Channel	0		
4	Lighting/Electrical Box	Electrical Box	0		
5	Lighting/LED Lighting	LED Lighting Strip 5m Roll	0		
6	Lighting/LED Remote Control	LED Remote Control	0		
7	Lighting/LED Transormer	LED Transformer	0		
8	Lighting/PolyStrip	Poly Lighting Strip Insert	0		
9	Lighting/Square Light Channel	Square Light Channel	0		
10	Lighting/Square Light Channel End Plate	Square Light Channel End Plate	0		
11	Heater/1950B	Infrared Heaters Black	0		
12	Heater/1950W	Infrared Heaters White	0		
13	Heater/ModularBlack	Modular Heaters Black	0		
14	Heater/ModularGrey	Modular Heaters Grey	0		
15	Heater/ModularWhite	Modular Heaters White	0		
16	Heater/TBracket	T Bracket For Modular Heaters	0		
17		Relax Glass Heaters	0		
18		Packer	0		
19		Gutter Return	0		
20		LED Spot Light Kits	0		
21		Cheese Frames	1	Length-2474mm x Width-1706mm	
22		Fixed Panel Frames	0		

Customer Reference : SO10535 Wareing		Drawing Title : CP Interiors	
Checked By :		Product Name : Simplicity 6	
Customer Sign :	Customer Reference : SO10535 Wareing	Page 8 OF 9	Date 09/01/21
Order No. :	Customer Reference : SO10535 Wareing	Page Size A4 (L)	Scale NTS
	Customer Reference : SO10535 Wareing	Issue ACS	Sequence 000001
	Customer Reference : SO10535 Wareing	Finish PPC	(To) +/- 1 mm
	Customer Reference : SO10535 Wareing	Revision v1.0	

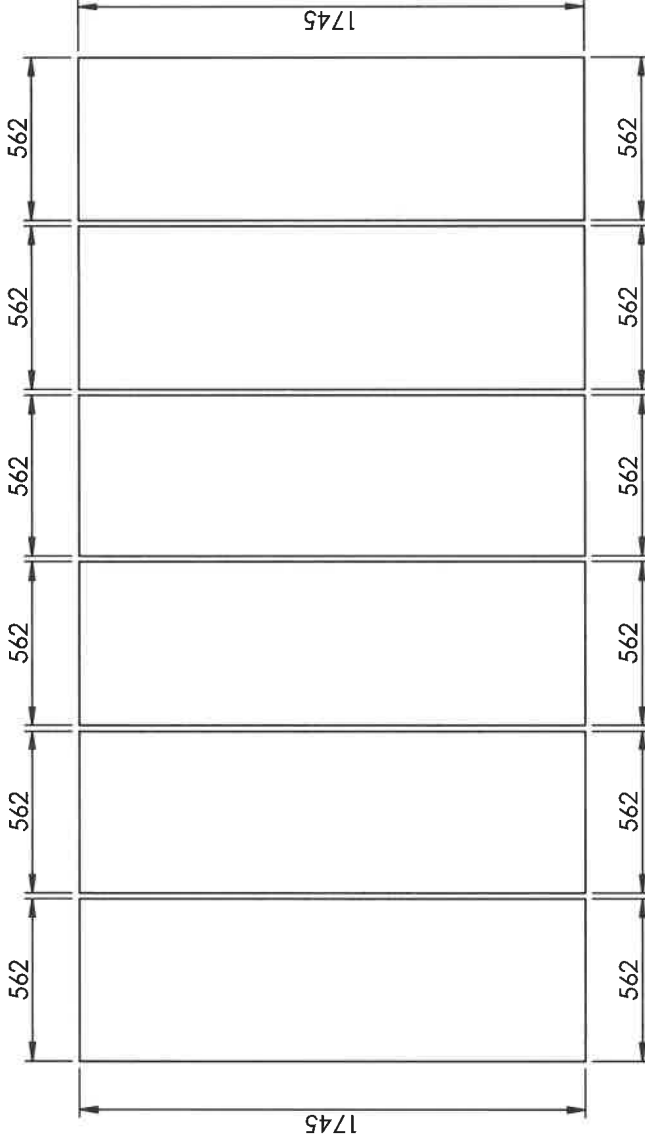
Warehouse



3rd Angle Projection

Glass Detail

Glass Type	6mm Clear Glass
No Of Glass Panel	6
Glass m²	5.88 m ²



Glass Size

Warehouse	Customer Reference : SO10535 Wareing	Drawing Title : CP Interiors
Checked By :	Customer Sign : ACW	Product Name : Simplicity 6
Order No. :	Customer Sign : ACW	Page : 9 OF 9
	Order No. :	Date : 09/01/21
	Order No. :	Page Size : A4 (L)
	Order No. :	Scale : NTS
	Order No. :	Drawn : RD
	Order No. :	Revision : v1.0
	Order No. :	Sequence : 000001
	Order No. :	(Tol) +/- 1 mm
	Order No. :	Finish : PPC
	Order No. :	Issuer : ACS
	Order No. :	3rd Angle Projection

Milwood Order Form Simplicity Range

Please make sure to fill out the whole order form!

Customer Information

Order Information!

We pride ourselves on getting the job correct first time and delivered to you as quickly as we can.

We need our Trade Partners to give as much detail about the order as possible, so that we may achieve this. Any site surveys, or additional information which can speed up the process and improve the accuracy of the drawing will be greatly appreciated.

If the CAD drawing requires any amendments this will delay the drawing and subsequently the order being delivered to you.

Thanks!

Company

CP Interiors

Order Reference *

SO10535 Wareing

Email Address *

home@cpinteriors.je

Telephone Number *

01534768141

System Delivery Address *

CP Interiors,
Rue des Pres Trading Estate
St Saviour
Jersey

Please include all lines of address

Delivery Post Code *

JE2 7QN

Target Delivery Date

dd-MMM-yyyy

Please call in for current lead times and an ETA on delivery date - we will try to accommodate your required date as best as possible!

Milwood Order Form Simplicity Range

Please make sure to fill out the whole order form!

Sizes, Colour & Roof Choice!

System Choice? *

Simplicity 6



Have You Installed This System Before?

Yes



Total Length (mm) (i.e. 6000) *

3550

(C) in diagram below

Total Projection (mm) (e.g. 4000) *

1800

This is priced on measurement from wall to outside face of the gutter! (D) in diagram below

Height of system from GROUND LEVEL to UNDERSIDE OF WALL PLATE (mm) (e.g. 2800) *

2450

(A) in diagram below

Height of system from GROUND LEVEL to UNDERSIDE OF GUTTER (mm) (e.g. 2100) *

2100

(B) in diagram below

Pitch Check!

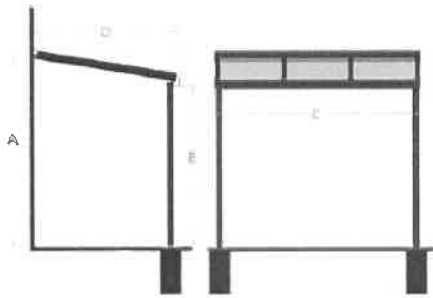
Have you checked the pitch against your dimensions? It's important! We cannot process jobs below or above the min & max of the below chart. Self Cleaning requires min 10 degrees pitch but if you're unsure just ask the team!

[Pitch Charts](#) - Click here to take you to the pitch charts on the TPA!

System	Min	Max
Sim 6 & 16	2.5°	22.5°
Sim 35	2.5°	45°
Sim Xtra	2.5°	10° & 22.5°

Milwood Order Form Simplicity Range

Please make sure to fill out the whole order form!



Colour of System *

Other RAL

Other RAL & Finish (If 'Other Ral' chosen above)

RAL 9016

All other RAL's are Semi Gloss as standard - Extra uplift on powder coat of 10% for Matt & Gloss Finishes

Post Selection *

Standard Post 75x70

If victorian upgrade is required, choose the standard post! (Not for 35)

Post Fixings *

Bolt To Ground

Inset Posts *

No

Maximum of 500mm Inset Allowed

Inset Post Measurement - Left & Right

Please specify left and right measurements

Drainage Selection *

External White Downpipe

If Victorian Upgrade is required, only drainage through the post is required.

Milwood Order Form Simplicity Range

Please make sure to fill out the whole order form!

Roof Spec *

6mm Clear Glass	▲
6mm Blue Tint Glass	□
6mm Grey Tint Glass	□
6mm Green Tint Glass	▼

Request Price For Tinted!

Additional Upgrades

Victorian Upgrades Required? *

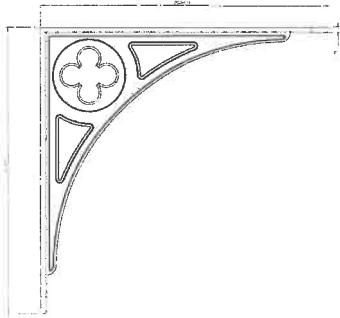
Yes ▼

Gallows Bracket Choice *

220 x 220 ▼

Gallows Bracket Quantity?

4



(300x300 Gallows Bracket)

Base Casting Quantity?

0

Please note the Simplicity 35 Casting is different to the Simplicity 6 & 16 Castings - Please contact the office for more information

Milwood Order Form Simplicity Range

Please make sure to fill out the whole order form!



Column Sleeve Quantity - Sim 35 Only!

0

Additional Upgrades Required *

No

Lighting / Heating

Doors & Fixed Panels

Doors / Fixed Panels Required ? *

Yes

Cheese Frame / Top Frame ? *

-

Fixed Panels ? *

Right Hand Side

3000mm max height, Also pitch dependent

Fixed Panel Glass Choice

Clear

Sliding Doors Required ? *

-

Direction of Sliding Doors

Please specify for each set which way the doors will open i.e. Left to Right Opening

Milwood Order Form Simplicity Range

Please make sure to fill out the whole order form!

Order Completion

Additional Components or Notes?

Just in case we missed giving you the option!

Delivery Instruction

Only if there is difficult access to the delivery address that our drivers will need to know about

Upload A Sketch! It Will Help Us To Understand Your Requirements Better!



Drag & Drop (or) [Choose File\(s\)](#)

Please Enter Your Buying Price! *

2541.00

GBP

You can find the pricing on the TPA, Alternatively you can phone in to request access to our quoting tool! Please note if price is not calculated, this will delay your CAD Drawing.

Order Date *

07-Jan-2021 11:36 AM

dd-MMM-yyyy HH:MM AM/PM

Milwood Order Form Simplicity Range

Please make sure to fill out the whole order form!

Terms and Conditions *

Milwood Terms & Conditions

By ticking the box you are agreeing that..

Once the CAD is approved by you the Trade Partner, you will be adhering to the below terms and conditions.

The product dimensions, colour, colour finish & glass/poly type will be final and no amendments to these will be accepted past this approval.

For any additions to the system that were not already included on the original order, please contact us no later than 10 working days before your scheduled delivery date so we can ensure they are included into this delivery.

In the unlikely event of any problems, issues or damaged components - please make contact with Production & Jobs In Progress via phone or email - please also note that we require pictures of the issue, to make judgement whether we deem the replacement free of charge or chargeable to you the Trade Partner.

Due to the circumstances that you may or may not have a depot to hold the goods upon delivery, please note that we require the order to be checked off within 24 hours of receiving delivery and any missing parts from the cutting list need to be raised with Production & Jobs In Progress in this period. We hold photographic evidence of each delivery, as soon as we receive notification of an issue we will check against these records and get back to you as soon as possible. After this 24-hour period the missing parts, if any, will be deemed chargeable.

Following your first order, you will be required to attend our Milwood Training Academy before installing your goods.

Milwood will not be held responsible for any fitting or installation errors.

For all first orders we require pro-forma payment to be made on CAD approval. If the pro-forma payment is not made, be aware that you may lose the scheduled date of delivery and the canopy will be delayed until this payment is made.

I accept the Terms and Conditions.

Name *

Heather

Veal

First

Last

Signature



Computer - Click & Hold The Mouse To Sign // Handheld Device - Press and Draw

