

**Architect/  
Contract  
Administrator's  
Instruction**

Issued by: Nick Andrews Associates  
address: 4, Wimbolt House, 46, David Place, St. Helier JE2 4TE

Employer: Philip & Katrina Le Vesconte, Les Hiboux, Rue des Servais  
address: St. John JE3 4FQ

Contractor: Hacquoil & Cook Ltd. La Rue de la Vallee  
address: St. Peter JE3 3DL

Works: Clos Tourgis, Rue des Servais  
situated at: St. John JE3 4FQ

SBC16 / IC16 / MW16

Job reference: Clos Tourgis

Instruction number: FIFTY-ONE

Sheet: one of one

01.10.2020

Under the terms of the JCT IFC Building Contract dated 17.02.2020

Office use: Approximate costs

|  | £ omit | £ add |
|--|--------|-------|
| Please place order with CP Blinds for canopy (manufacture, supply and install) per the attached quote and drawings |        |       |
| Please liaise with CP regarding base details and electrical connection details (blinds are electrically operated)  |        |       |
| Costs to be agreed with QS   |        |       |
|  |        |       |

Amount of Contract Sum £

± Approximate value of previous Instructions £

Sub-total £

± Approximate value of this Instruction (£ add minus £ omit) £

Approximate adjusted total £

To be signed and dated by or on behalf of the Issuer named above

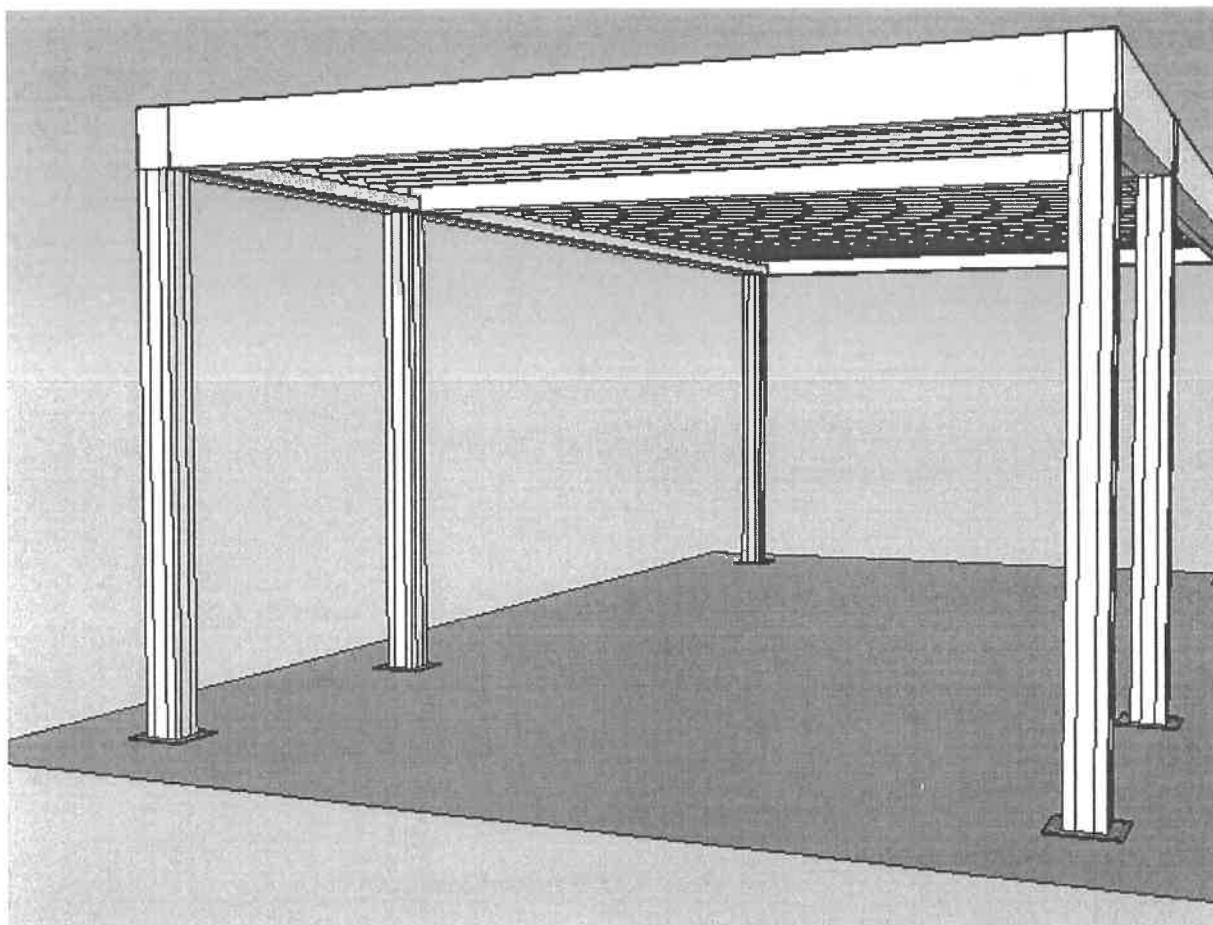
Signed N.J. Andrews Dated 01.10.2020

**Distribution**

- |   |   |  |                               |
|---|---|--|-------------------------------|
| <input checked="" type="checkbox"/> Employer          | <input checked="" type="checkbox"/> Structural Engineer | <input checked="" type="checkbox"/> Principal Designer (CDM Regulations) | <input type="checkbox"/>      |
| <input checked="" type="checkbox"/> Contractor        | <input type="checkbox"/> M&E Consultant                 | <input type="checkbox"/>   | <input type="checkbox"/>      |
| <input checked="" type="checkbox"/> Quantity Surveyor | <input type="checkbox"/> Clerk of Works                 | <input type="checkbox"/>   | <input type="checkbox"/> File |

Thank you for your interest in the Renson Outdoor products.  
We offer you a personalized quote.  
For more information, visit the website at [this link](#).

## Camargue



Document: 20/095818/0  
Reference: Le Vesconte 8m x 4m  
Contact:

## Your offer.

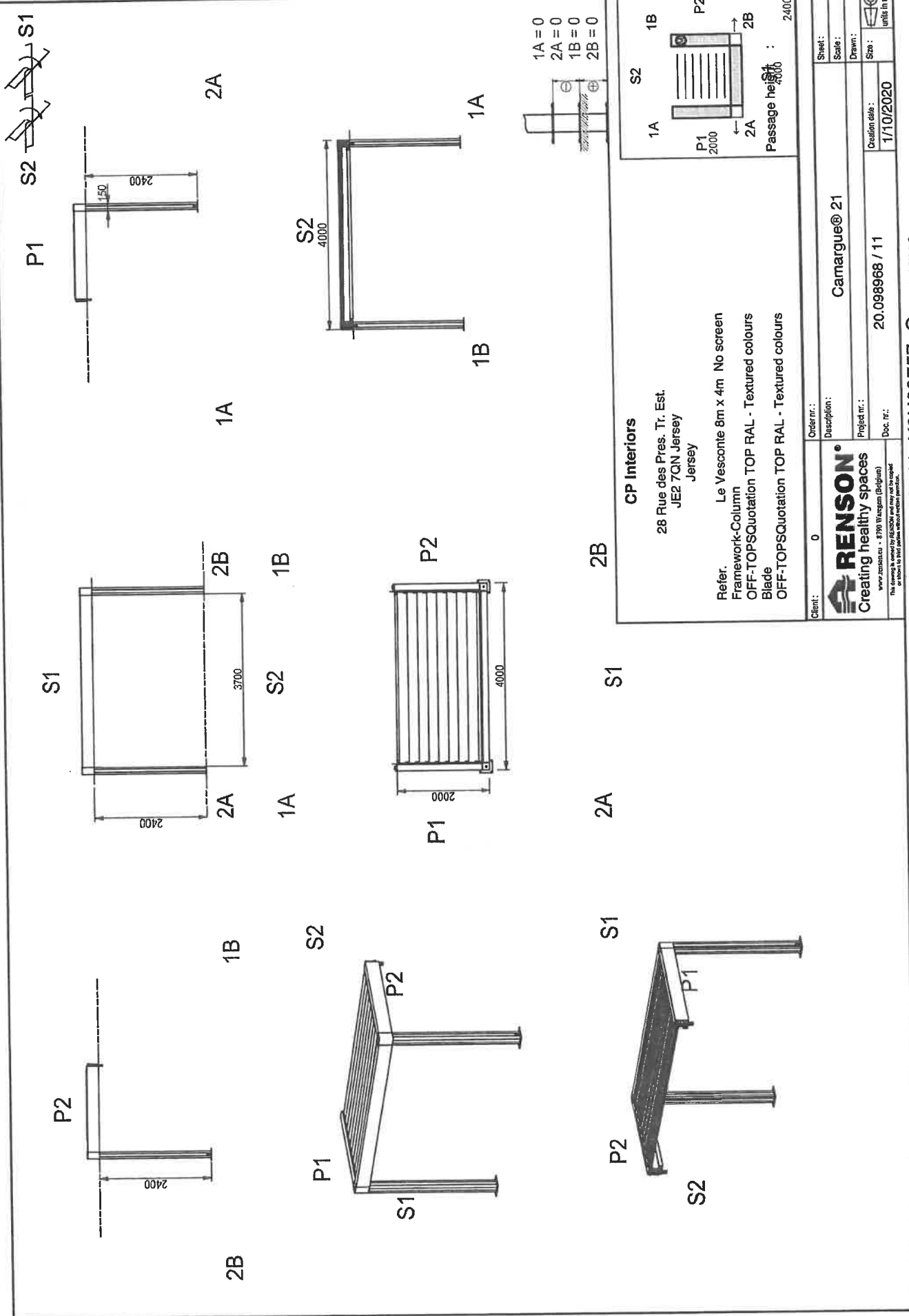
Document: 20/095818/0  
Reference: Le Vesconte 8m x 4m  
Contact:  
Billing address:  
Town:  
E-mail:  
Phone:

## Structure

- Camargue® 2-parts span 30,338,00 GBP
  - Corner 1A : Column at the corner
  - Corner 1B : Column at the corner
  - Corner 2A : Column at the corner
  - Corner 2B : Column at the corner
  - Camargue C2 : Camargue 2
  - Corner 3A : Column at the corner
  - Corner 3B : Column at the corner
- 
- Handheld transmitters : G6002774 - Somfy Telis 16 Pure white 244,00 GBP

TOTAL

30.582,00 GBP



**CP Interiors**  
 28 Rue des Pres. Tr. Est.  
 JE2 7QN Jersey  
 Jersey

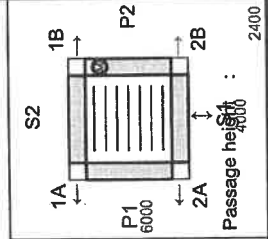
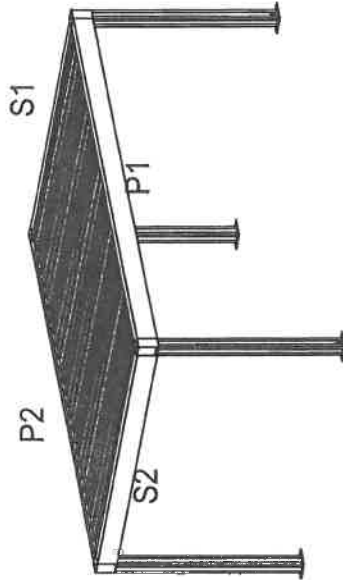
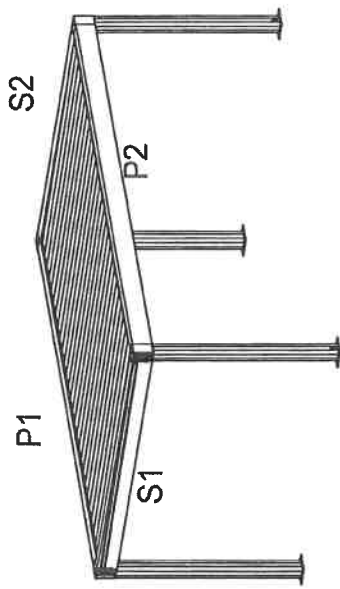
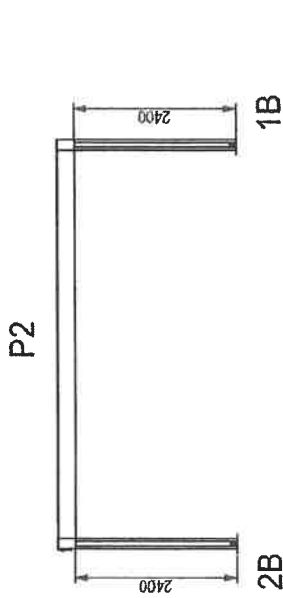
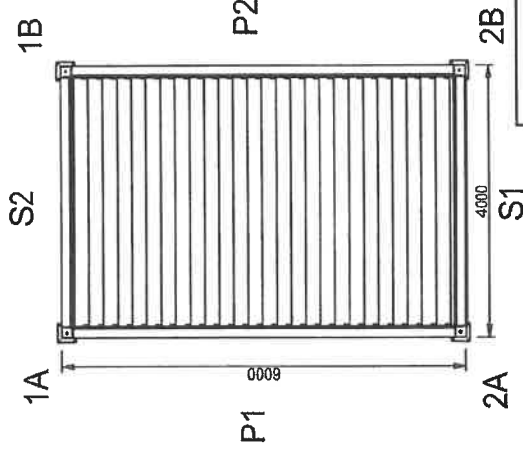
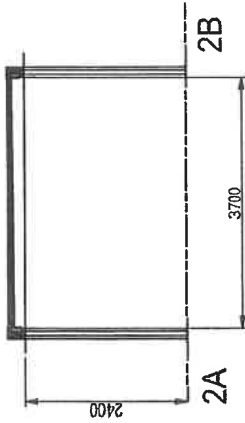
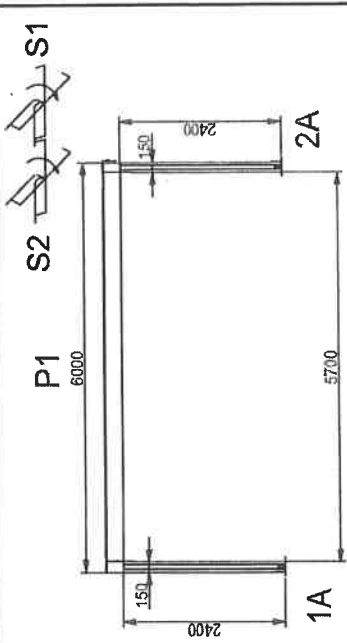
Refer. Le Vesconte 8m x 4m No screen  
 Framework-Column  
 OFF-TOPSQuotation TOP RAL - Textured colours  
 Blade  
 OFF-TOPSQuotation TOP RAL - Textured colours

Client: 0  
 Order nr.:  
 Description: Camargue® 21  
 Project nr.: 20.098968 / 11  
 Doc. nr.:  
 Creation date: 1/10/2020  
 Scale:  
 Drawn:  
 Size: units in mm

1A = 0  
 2A = 0  
 1B = 0  
 2B = 0

1A 1B  
 P1 2000 P2  
 2A 2B  
 Passage height : 2400

20098968\_00\_11\_K0N33757\_Camargue



**CP Interiors**

28 Rue des Pres. Tr. Est.  
JE2 7QIN Jersey  
Jersey

Fiefer. Le Vesconte 8m x 4m No screen  
Framework-Column  
OFF-TOPSQuotation TOP RAL - Textured colours  
Blade  
OFF-TOPSQuotation TOP RAL - Textured colours

|         |   |                |                        |
|---------|---|----------------|------------------------|
| Client: | 0 | Order nr.:     |                        |
|         |   | Description:   | Camargue® 2-parts span |
|         |   | Project nr.:   | 20.098968 / 10         |
|         |   | Doc. nr.:      | 1/10/2020              |
|         |   | Creation date: | 1/10/2020              |
|         |   | Scale:         |                        |
|         |   | Drawn:         |                        |
|         |   | Size:          | units in mm            |



20098968\_00\_10\_KON33756\_Camargue



Rue des Pres Trading Estate  
 St Saviour  
 Jersey  
 JE2 7QP  
 Phone : 01534 768141

# Deposit Invoice

|  |
|--|
| <b>Invoice To</b>  |
| Hacquoil & Cook Building Contractors<br>La Rue De La Vallee<br>St. Mary<br>JE3 3DL |

|                     |                     |                    |
|---------------------|---------------------|--------------------|
| <b>GST REG. No.</b> | <b>Invoice Date</b> | <b>Invoice No.</b> |
| 0005218             | 23-10-2020          | SO10087            |

|                      |
|----------------------|
| <b>Customer Ref.</b> |
| Clos Tourgis         |

| Location | Description   | Qty | Price     |
|----------|---|-----|-----------|
|          | To Supply and Fit ,Camargue 2 part coupled at Span side total Pivot length 8m, (split 6m + 2m) x Span of 4m - See quote doc 20/095818/0 30/09/2020 & drawings | 1   |           |
|          | To Supply and Fit ,Camargue 2 part coupled at Span side total Pivot length 8m, (split 6m + 2m) x Span of 4m - See quote doc 20/095818/0 30/09/2020 & drawings | 1   |           |
|          | Total price of £30,582.00   |     |           |
|          | Deposit required 40%  |     | 12,232.80 |

**Terms :** Deposit due pre order, further 40% on delivery to Island, balance on completion

|              |                  |
|--------------|------------------|
| Deposit Due  | 12,232.80        |
| GST 5%       | 611.64           |
| <b>Total</b> | <b>12,844.44</b> |

| Bank Details  |   |
|---------------|---|
| Bank:         | NatWest   |
| Sort Code:    | 60 12 03  |
| Account No:   | 66577772  |
| Account Name: | Carpet Protection (C.I) Ltd<br>T/A CP Interiors |

*R12202-22 Rec'd  
 13/11/2020*

Goods remain the property of CP Interiors until full settlement is received.

1/10/2020  
= accepted by  
Macquill & Coole

WHERE  
MAGIC  
HAPPENS...



Document:  
Reference:  
Contact:

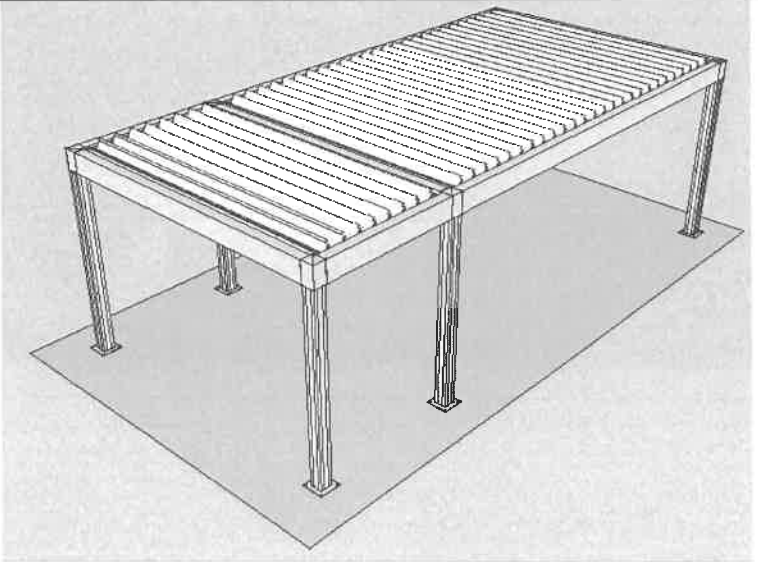
20/095818/0  
Le Vesconte 8m x 4m

CP Interiors  
28 Rue des Pres. Tr. Est.  
Jersey, JE2 7QN  
Tel.1534768141

Document: 20/095818/0  
 Reference: Le Vesconte 8m x 4m  
 Contact:

## Your product features

### Base structure

|   |  |   |
|---|--|---|
| <b>Product type</b><br>Camargue® 2-parts - Coupled at span side         |  |  |
| <b>Dimension Span</b><br>4000 mm  |  |   |
| <b>Dimension Pivot</b><br>6000 mm                                       |  |   |
| <b>Span 2</b><br>4.000  |  |   |
| <b>Pivot 2</b><br>2.000   |  |   |
| <b>Passage height</b><br>2400 mm  |  |   |
| <b>Colour frame and columns</b><br>Quotation TOP RAL - Textured colours |  |   |
| <b>Col lam</b><br>Quotation TOP RAL - Textured colours                  |  |   |
| <b>Motor-side 1</b><br>P2   |  |   |
| <b>Motor-side 2</b><br>P2   |  |   |
| <b>Blade rotation 1</b><br>Sunprotection                                |  |   |
| <b>Blade rotation 2</b><br>Sunprotection                                |  |   |

Document: **20/095818/0**  
Reference: Le Vesconte 8m x 4m  
Contact:



## Your offer.

Document: 20/095818/0  
Reference: Le Vesconte 8m x 4m  
Contact:  
Billing address:  
Town:  
E-mail:  
Phone:

### Structure

- Camargue® 2-parts span 30,338,00 GBP
- Corner 1A : Column at the corner
- Corner 1B : Column at the corner
- Corner 2A : Column at the corner
- Corner 2B : Column at the corner
- Camargue C2 : Camargue 2
- Corner 3A : Column at the corner
- Corner 3B : Column at the corner

### Options

- Number of LED blades : 3 (6m section) warm white
- Number of LED blades : 1 (2m section) warm white 4.075,00 GBP
  
- Handheld transmitters : G6002774 - Somfy Telis 16 Pure white 244,00 GBP

**TOTAL**

**34,657,00 GBP**

29/9/2020

WHERE  
MAGIC  
HAPPENS...



Document:  
Reference:  
Contact:

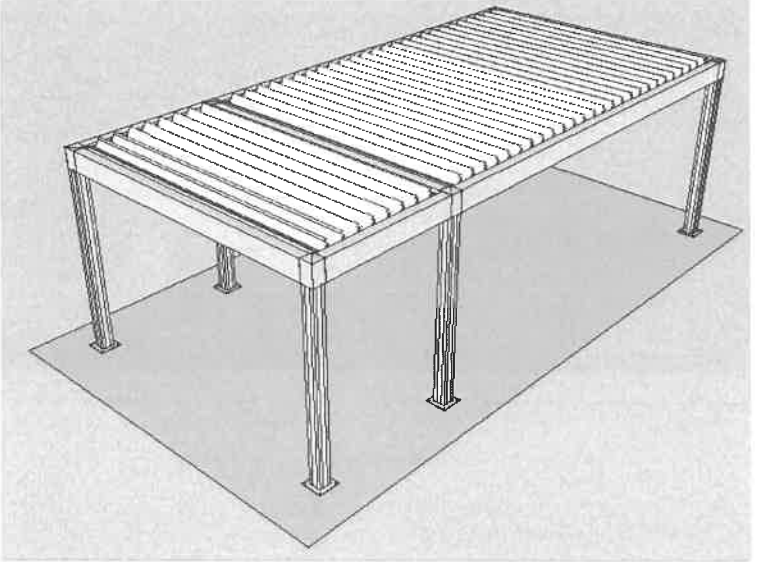
20/095818/0  
Le Vesconte 8m x 4m

CP Interiors  
28 Rue des Pres. Tr. Est.  
Jersey, JE2 7QN  
Tel.1534768141

Document: 20/095818/0  
 Reference: Le Vesconte 8m x 4m  
 Contact:

## Your product features

### Base structure

|   |   |
|---|---|
| <b>Product type</b><br>Camargue® 2-parts - Coupled at span side         |  |
| <b>Dimension Span</b><br>4000 mm  |   |
| <b>Dimension Pivot</b><br>6000 mm                                       |   |
| <b>Span 2</b><br>4.000  |   |
| <b>Pivot 2</b><br>2.000   |   |
| <b>Passage height</b><br>2400 mm  |   |
| <b>Colour frame and columns</b><br>Quotation TOP RAL - Textured colours |   |
| <b>Col lam</b><br>Quotation TOP RAL - Textured colours                  |   |
| <b>Motor-side 1</b><br>P2   |   |
| <b>Motor-side 2</b><br>P2   |   |
| <b>Blade rotation 1</b><br>Sunprotection                                |   |
| <b>Blade rotation 2</b><br>Sunprotection                                |   |

Document: 20/095818/0  
Reference: Le Vesconte 8m x 4m  
Contact:



## Your offer.

Document: 20/095818/0  
Reference: Le Vesconte 8m x 4m  
Contact:  
Billing address:  
Town:  
E-mail:  
Phone:

### Structure

- Camargue® 2-parts span 30,338,00 GBP
- Corner 1A : Column at the corner
- Corner 1B : Column at the corner
- Corner 2A : Column at the corner
- Corner 2B : Column at the corner
- Camargue C2 : Camargue 2
- Corner 3A : Column at the corner
- Corner 3B : Column at the corner

### Options

- Number of LED blades : 3 (6m section) warm white
- Number of LED blades : 1 (2m section) warm white 4.075,00 GBP
  
- Handheld transmitters : G6002774 - Somfy Telis 16 Pure white 244,00 GBP

**TOTAL**

**34,657,00 GBP**



Creating healthy spaces

RENSON® Fabrications LTD

CP Interiors  
Leeana Taft  
28 Rue des Pres. Tr. Est.  
JE JE2 7QN Jersey  
TEL: 1534768141

**Subject : Webid=1537194 Quote**  
Adjudication : /00/00 WEB  
Your ref. : Le Vesconte 8m x 4m No screen  
Our ref. : 20/098968/00PG 1 DRIVE Maidstone, 1/10/20

Dear,

Thank you for using e-REPS when sending us your inquiry.  
Please note that this document was automatically generated.

**CAM3 Camargue® 2-parts - Coupled at span side  
- Seaside Quality A**

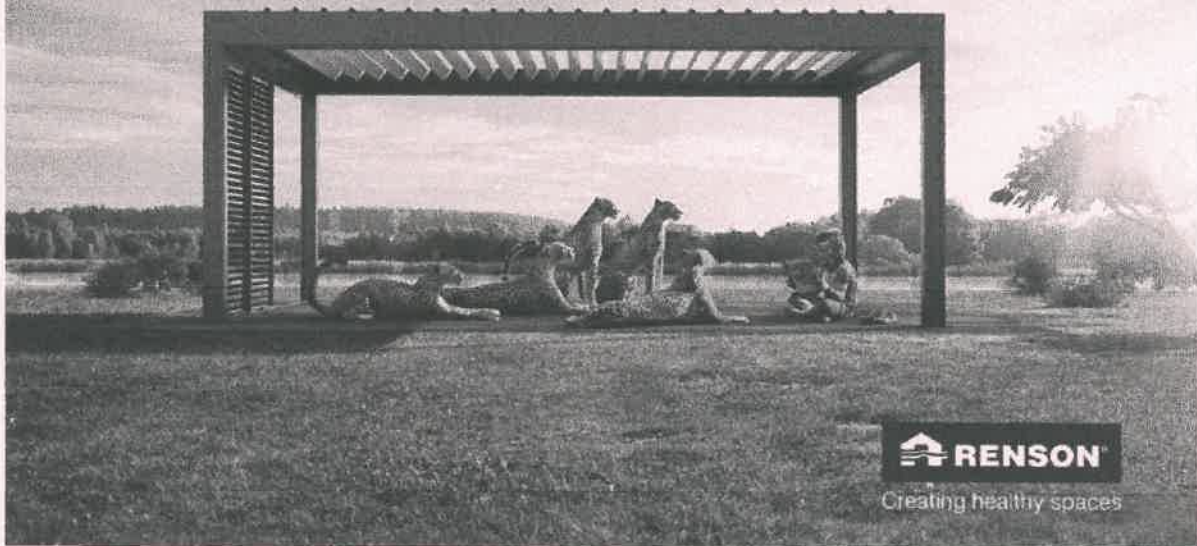
- Colour blades: OFF-TOPS Frame : OFF-TOPS
- OFF-TOPS - Quotation TOP RAL - Textured colours
- Passage height 2400 mm
- Motorposition : P2
- Motor control : RTS
- Blade rotation : Sunprotection
- Corner 1A : Column at the corner
- Fixation holes : WITH mounting holes
- Mounting base : Visible mounting base
- Water drainage : WITH water drainage
- Height water drainage : Drainage tube at 66 mm above ground leve
- Corner 1B : Column at the corner
- Fixation holes : WITH mounting holes
- Mounting base : Visible mounting base
- Water drainage : WITH water drainage
- Height water drainage : Drainage tube at 66 mm above ground leve
- Corner 2A : Column at the corner
- Fixation holes : WITH mounting holes
- Mounting base : Visible mounting base
- Water drainage : WITH water drainage
- Height water drainage : Drainage tube at 66 mm above ground leve
- Corner 2B : Column at the corner
- Fixation holes : WITH mounting holes
- Mounting base : Visible mounting base
- Water drainage : WITH water drainage
- Height water drainage : Drainage tube at 66 mm above ground leve
- Building of the beam P1 : Freestanding
- Building of the beam P2 : Freestanding
- Building of the beam S2 : Freestanding
- Lineo LED : Lineo LED
- Number of LED blades : 3
- Light colour Lineo LED : Warm white light (3000K)
- Handheld transmitters : G6002774 - Somfy Telis 16 Pure white
- Camargue C2 : Camargue 2
- Motorposition : P2
- Motor control : RTS
- Blade rotation : Sunprotection
- Corner 3A : Column at the corner
- Fixation holes : WITH mounting holes
- Mounting base : Visible mounting base
- Water drainage : WITH water drainage
- Height water drainage : Drainage tube at 66 mm above ground leve

../..

RENSON® Fabrications LTD

Fairfax Units 1-5 • Bircholt Road • Parkwood Industrial Estate • Maidstone • Kent ME15 9SF  
Tel: +44 (0) 1622/754123 • Fax: +44 (0)1622/689478 • Fax: + 44 (0)1622/689479 • info@rensonuk.net • www.renson.eu  
Company Reg. No. 2993317 • Registered Office Maidstone • VAT Reg. No. GB 619 474 809

WHERE  
MAGIC  
HAPPENS...

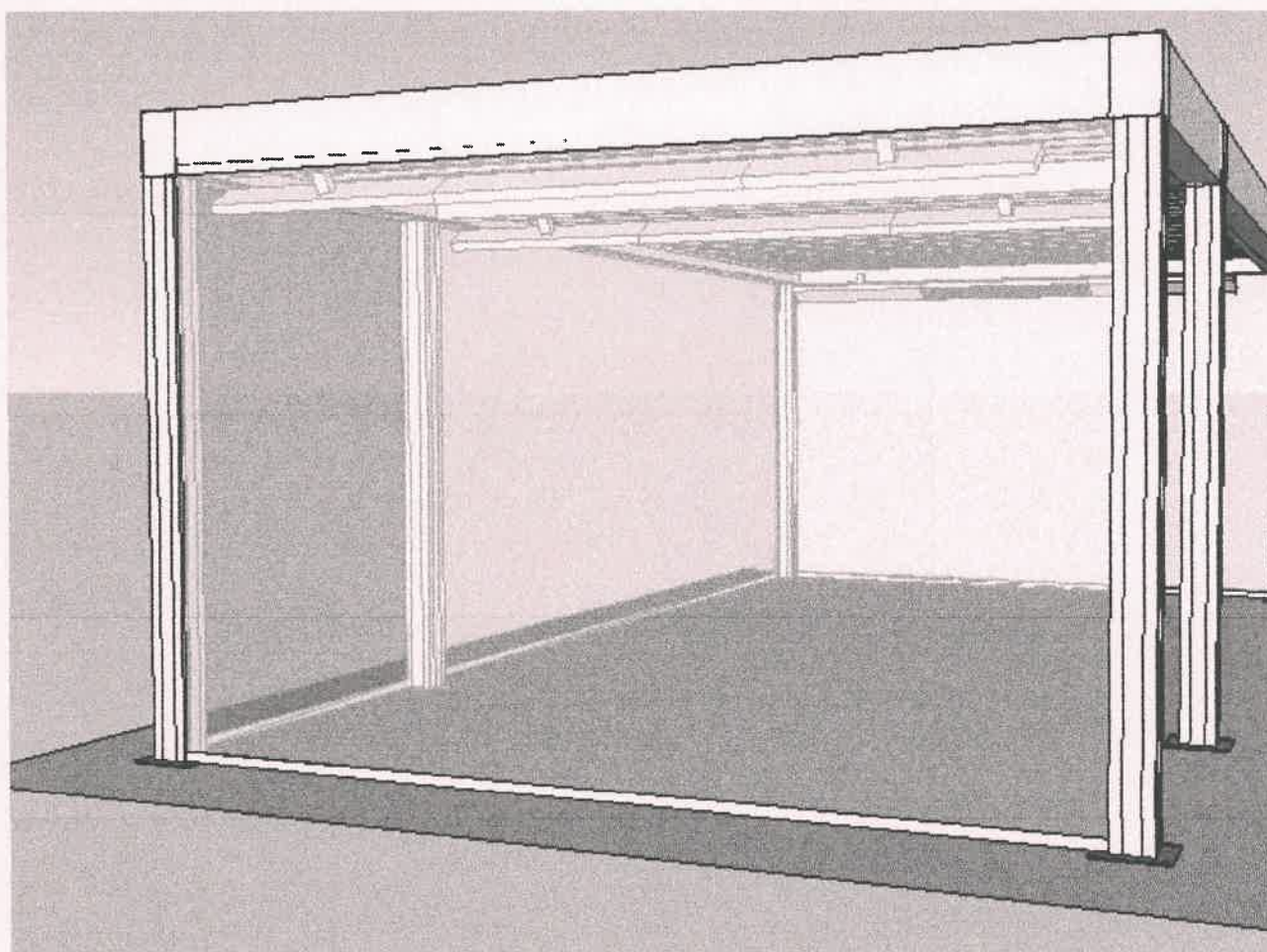


Document: 20/095818/0  
Reference: Le Vesconte 8m x 4m  
Contact:

CP Interiors  
28 Rue des Pres. Tr. Est.  
Jersey, JE2 7QN  
Tel.1534768141

Thank you for your interest in the Renson Outdoor products.  
We offer you a personalized quote.  
For more information, visit the website at [this link](#).

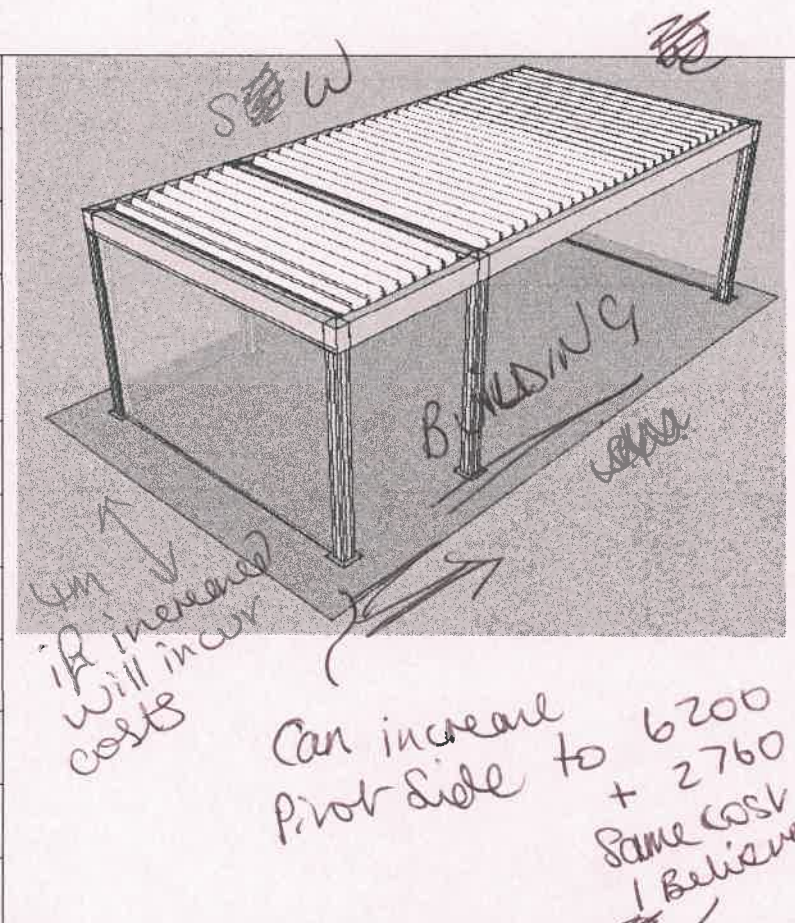
## Camargue



Your product features

Base structure

|                                 |  |
|---------------------------------|--|
| <b>Product type</b>             | Camargue® 2-parts - Coupled at span side |
| <b>Dimension Span</b>           | 4000 mm                                  |
| <b>Dimension Pivot</b>          | 6000 mm                                  |
| <b>Span 2</b>                   | 4.000                                    |
| <b>Pivot 2</b>                  | 2.000                                    |
| <b>Passage height</b>           | 2400 mm                                  |
| <b>Colour frame and columns</b> | Quotation TOP RAL - Textured colours     |
| <b>Col lam</b>                  | Quotation TOP RAL - Textured colours     |
| <b>Motor-side 1</b>             | P2                                       |
| <b>Motor-side 2</b>             | P2                                       |
| <b>Blade rotation 1</b>         | Sunprotection ✓ <i>Let light in</i>      |
| <b>Blade rotation 2</b>         | Sunprotection                            |



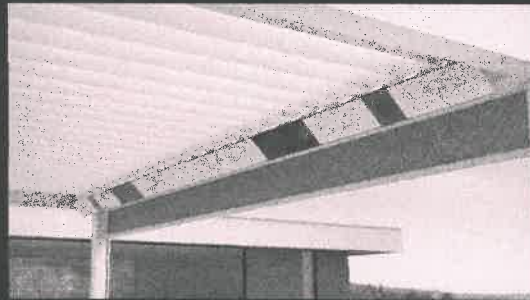
## Your product options

### 1 Beam Heat

The comfort in your terrace covering is increased even more thanks to the design beam with an integrated heating system.

The heating system uses a short-wave infrared transmitter that can be screened using a heat-resistant, black, ceramic glass plate.

The Beam can also be equipped with weather-resistant, 4-ohm speakers.



### 2 UpDown LED

Integrated LED lighting on the inside of the frame. Fitted with upwards and downwards lighting.

This lets you create indirect and/or direct atmospheric lighting.

A total of two UpDown LED lighting modules can be installed per roof section.

The LEDs are dimmable.

Up lighting is available in:

- warm white (3000 K): perfect for creating ambiance, cosy gatherings, etc.
- pure white (5000 K): perfect for reading, etc.
- RGB: perfect for creating the right ambiance

Down lighting is available in:

- warm white (3000 K): perfect for creating ambiance, cosy gatherings, etc.
- pure white (5000 K): perfect for reading, etc.



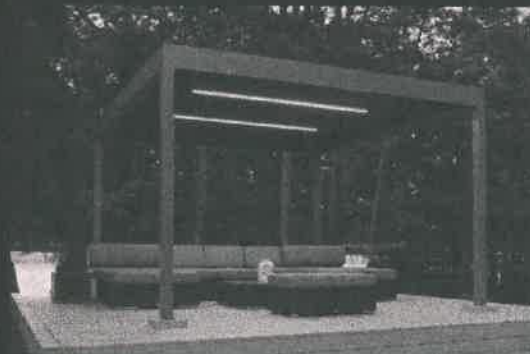
### 3 Lineo LED

Integrated LED lighting in the blades ensures even distribution without visible bright spots thanks to high-quality LEDs (180 per metre).

The LEDs are dimmable.

Available in

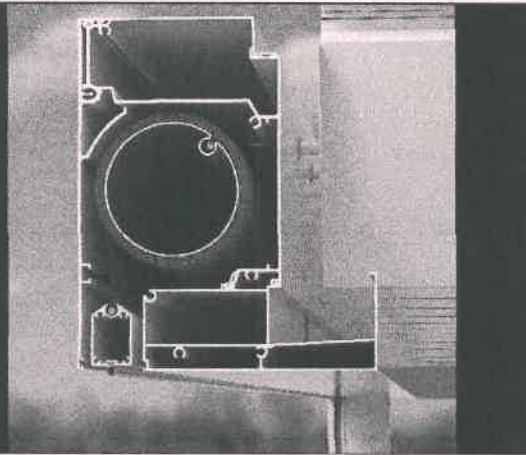
- warm white (3000 K): perfect for creating ambiance, cosy gatherings, etc.
- pure white (5000 K): perfect for reading, etc.



#### 4 Integrated Fixscreen\*

Integrated Fixscreens come in 50 colours, allowing you to customise your terrace covering and create the atmosphere you desire.

The terrace covering's frame profiles are developed in such a way that the bottom bar is aesthetically hidden away in the box when the screen is raised. Perfect integration into the frame and column, even after installation.



Document: 20/095818/0  
Reference: Le Vesconte 8m x 4m  
Contact:

## Your offer.

Document: 20/095818/0  
Reference: Le Vesconte 8m x 4m  
Contact:  
Billing address:  
Town:  
E-mail:  
Phone:

## Structure

- Camargue® 2-parts span 30,338,00 GBP
- Corner 1A : Column at the corner
- Corner 1B : Column at the corner
- Corner 2A : Column at the corner
- Corner 2B : Column at the corner
- Camargue C2 : Camargue 2
- Corner 3A : Column at the corner
- Corner 3B : Column at the corner

## Options

- Fixscreen P1.1 : Fixscreen Sergé/Natté/Privacy
- Fixscreen S2.1 : Fixscreen Sergé/Natté/Privacy
- Fixscreen P1.1 : Fixscreen Sergé/Natté/Privacy
- Fixscreen S1.1 : Fixscreen Sergé/Natté/Privacy 9,212,00 GBP
- Number of LED blades : 3 (6m section) warm white
- Number of LED blades : 1 (2m section) warm white 4.075,00 GBP
- Beam Heat S1 : 1 Beam with 1 Heat
- Beam Heat S2 : 1 Beam with 1 Heat
- Beam Heat S1 : 1 Beam with 1 Heat
- Heating Receiver : 1 RTS Beam Heat/Sound receiver per Heat 6.325,00 GBP
- UpDown LED : Up LED warm white
- UpDown LED : Up LED warm white 4.834,00 GBP
- Handheld transmitters : G6002774 - Somfy Telis 16 Pure white 244,00 GBP

**TOTAL**

**55.028,00 GBP**

Document: 20/095818/0  
Reference: Le Vesconte 8m x 4m  
Contact:

## Your offer.

Document: 20/095818/0  
Reference: Le Vesconte 8m x 4m  
Contact:  
Billing address:  
Town:  
E-mail:  
Phone:

- CAM3 Camargue® 2-parts - Coupled at span side**
- Seaside Quality A
  - Colour blades: OFF-TOPS Frame : OFF-TOPS
  - OFF-TOPS - Quotation TOP RAL - Textured colours
  - Passage height 2400 mm



# CP INTERIORS

September 24,2020

REF : SO10087

Mrs. Phil & Katrina Le Vesconte  
Les Hiboux  
Rue des Servais  
St.John  
Jersey  
JE34FQ

Dear Mrs. Phil & Katrina Le Vesconte

As requested, we have pleasure in submitting our quotation for the following.

| Description   | QTY               | Price              |
|---|-------------------|--------------------|
| To Supply and Fit ,Bladed Roof Systems, Camargue 2 part coupled at Span side total Pivot length 8m, (split 6m + 2m) x Span of 4m - See quote doc 20/095818/0 & drawings | 1                 | £ 55,028.00        |
| ., Electrics and ground works not included,   |                   |                    |
|   | <b>Subtotal :</b> | <b>£ 55,028.00</b> |
|   | <b>GST :</b>      | <b>£ 2,751.40</b>  |
|   | <b>Total :</b>    | <b>£ 57,779.40</b> |

As with all our custom orders, we will require a deposit of 40%, 40% on delivery to Island and balance on completion. All prices are subject to GST.

**Our Price Promise to you, we will beat any written quotation by 5% (on equivalent specification).**

Thank you for your enquiry and we hope you will find this quotation acceptable. Should you require any further information, please contact us.

Yours sincerely  
Adrian Colston-Weeks  
DIRECTOR

**To accept the above quotation, please indicate which option is required, sign below and return this letter together with your deposit. Please note extract of our terms and conditions below.**

.....  
**SIGNATURE** **DATE**

Please note: This quotation is only valid for acceptance for 60 days. Our estimate does not include any electrical work or additional carpentry work to install the above unless otherwise specified. Please note there is a handling charge on customer own fabric of £5 per metre. Due to high costs of labour, pre-arranged missed fitting appointments will be charged on a time-wasted basis. Settlement is due on completion of works and an administration charge of £25 will be added per month if unpaid within 30 days. We reserve the right to charge for design, advice and liaison work carried out should an order not be placed. Goods remain the property of CP Interiors until full settlement is received. Should payment not be received we reserve the right to attend premises during working hours to remove goods and not be required to make good. Our full terms and conditions apply and are available on request.

- Call us and pay by Card, we accept card transactions over the telephone and we will not charge you a handling fee.
- Bank details: Natwest, Sort Code 60-12-03, Account No 66577772

**If you pay your deposit by BACS payment, please confirm the details of your order by returning a signed copy of this letter**

Tel : (01534) 768141

[www.cpinteriors.je](http://www.cpinteriors.je)

Rue des Pres Trading Estate, St Saviour, Jersey, JE2 7QN

**Blinds | Curtains | Awnings | Shutters | Furnishings | Interior Design | Project Management**



From: 1/10/20  
3.3%  
Price Incr.  
hold  
Price  
for 30 days  
if no amendments  
of dimension.

September 23, 2020

REF: SO10087

Mrs. Phil & Katrina Le Vesconte  
Les Hiboux  
Rue des Servais  
St. John  
Jersey  
JE34FQ

Dear Mrs. Phil & Katrina Le Vesconte

As requested, we have pleasure in submitting our quotation for the following.

| Description  | QTY               | Price              |
|--|-------------------|--------------------|
| To Supply and Fit ,Bladed Roof Systems, - See quote doc 320/095071/2 | 1                 | £ 45,070.00        |
| .. Electrics and ground works not included,                          |                   |                    |
|  | <b>Subtotal :</b> | <b>£ 45,070.00</b> |
|  | <b>GST :</b>      | <b>£ 2,253.50</b>  |
|  | <b>Total :</b>    | <b>£ 47,323.50</b> |

*Re-Price 8m (6+2m)*

As with all our custom orders, we will require a deposit of 50%. All prices are subject to GST.

**Our Price Promise to you, we will beat any written quotation by 5% (on equivalent specification).**

Thank you for your enquiry and we hope you will find this quotation acceptable. Should you require any further information, please contact us.

Yours sincerely  
Adrian Colston-Weeks  
DIRECTOR

To accept the above quotation, please indicate which option is required, sign below and return this letter together with your deposit. Please note extract of our terms and conditions below.

SIGNATURE

DATE

Please note: This quotation is only valid for acceptance for 60 days. Our estimate does not include any electrical work or additional carpentry work to install the above unless otherwise specified. Please note there is a handling charge on customer own fabric of £5 per metre. Due to high costs of labour, pre-arranged missed fitting appointments will be charged on a time-wasted basis. Settlement is due on completion of works and an administration charge of £25 will be added per month if unpaid within 30 days. We reserve the right to charge for design, advice and liaison work carried out should an order not be placed. Goods remain the property of CP Interiors until full settlement is received. Should payment not be received we reserve the right to attend premises during working hours to remove goods and not be required to make good. Our full terms and conditions apply and are available on request.

- Call us and pay by Card, we accept card transactions over the telephone and we will not charge you a handling fee.
- Bank details: Natwest, Sort Code 60-12-03, Account No 66577772

If you pay your deposit by BACS payment, please confirm the details of your order by returning a signed copy of this letter

*YML =*

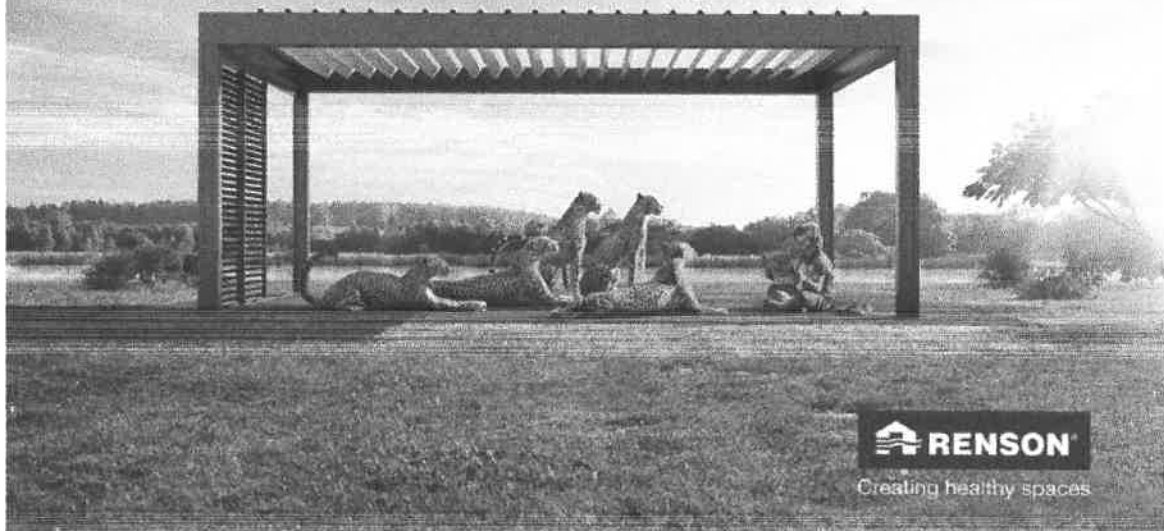
Tel : (01534) 768141

[www.cpinteriors.je](http://www.cpinteriors.je)

Rue des Pres Trading Estate, St Saviour, Jersey, JE2 7QN

Blinds | Curtains | Awnings | Shutters | Furnishings | Interior Design | Project Management

WHERE  
MAGIC  
HAPPENS...



Document:  
Reference:  
Contact:

20/095071/2  
Le Vesconte

CP Interiors  
28 Rue des Pres. Tr. Est.  
Jersey, JE2 7QN  
Tel.1534768141

Document: 20/095071/2  
Reference: Le Vesconte  
Contact:

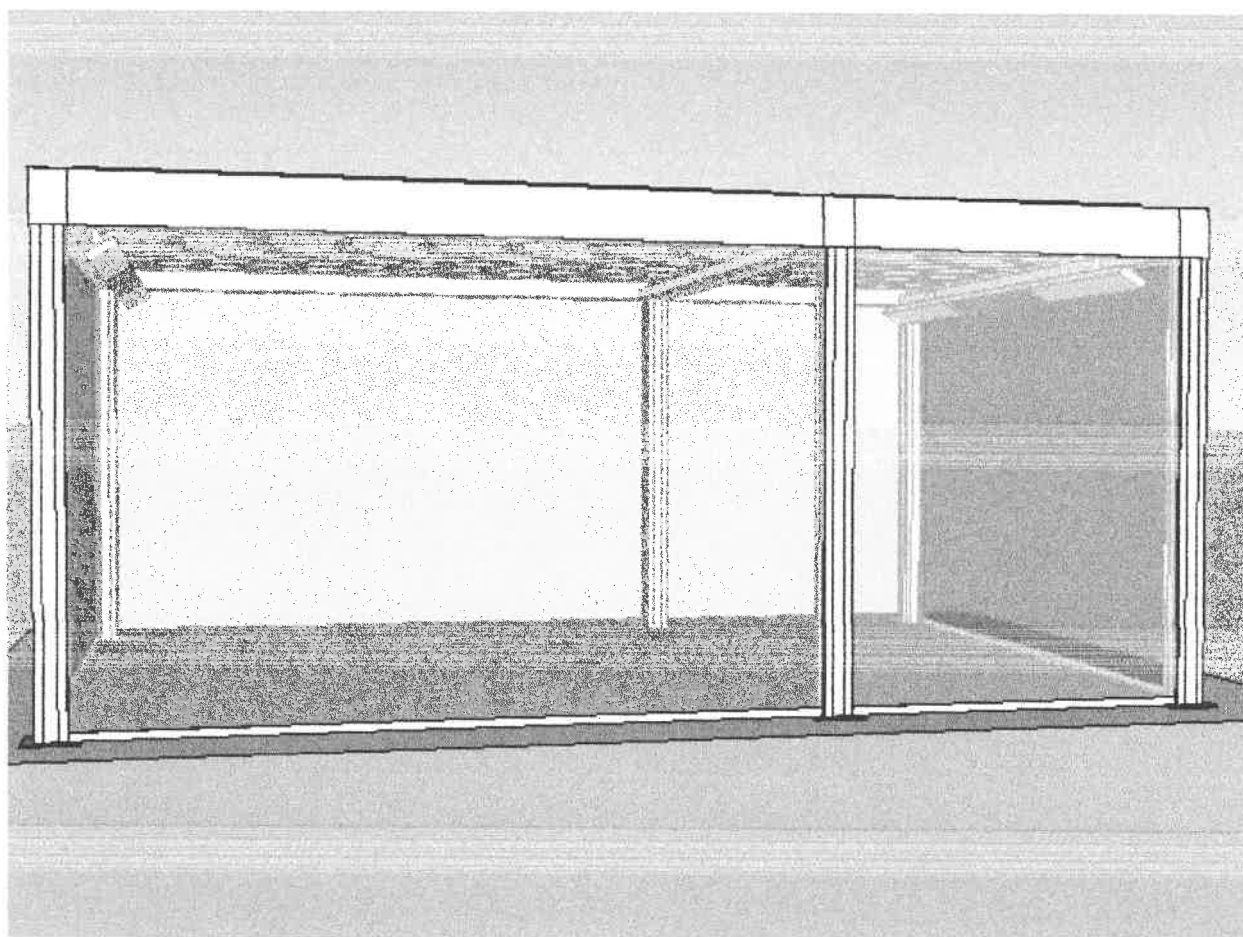


Thank you for your interest in the Renson Outdoor products.  
We offer you a personalized quote.  
For more information, visit the website at [this link](#).

## Camargue

### **CAM2 Camargue® 2-parts - Coupled at pivot side**

- Seaside Quality A
- Colour blades: OFF-TOPS Frame : OFF-TOPS
- OFF-TOPS - Quotation TOP RAL - Textured colours
- Passage height 2400 mm



Document: 20/095071/2  
Reference: Le Vesconte  
Contact:



## Your offer.

Document: 20/095071/2  
Reference: Le Vesconte  
Contact:  
Billing address:  
Town:  
E-mail:  
Phone:

## Structure

- Camargue® 2-parts pivot
  - Corner 1A : Column at the corner
  - Corner 1B : Column at the corner
  - Corner 2A : Column at the corner
  - Corner 2B : Column at the corner
  - Camargue C2 : Camargue 2
  - Corner 1C : Column at the corner
  - Corner 2C : Column at the corner
- 24.270,00 GBP

## Options

- Fixscreen P1.1 : Fixscreen Sergé/Natté/Privacy
  - Fixscreen S1.1 : Fixscreen Sergé/Natté/Privacy
  - Fixscreen P2.1 : Fixscreen Sergé/Natté/Privacy
  - Fixscreen S1.1 : Fixscreen Sergé/Natté/Privacy
- 7.854,00 GBP
- Number of LED blades : 3 each section
- 4,822,00 GBP
- Beam Heat/Sound P1 : 1 Beam with 1 Heat
  - Heating Receiver : 1 RTS Beam Heat/Sound receiver per Heat
  - Beam Heat/Sound P2 : 1 Beam with 1 Heat
  - Heating Receiver : 1 RTS Beam Heat/Sound receiver per Heat
- 4.217,00 GBP
- UpDown LED : S1 & S2 UP LED – warm white (RGB available)
- 3.663,00 GBP
- Handheld transmitters : G6002774 - Somfy Telis 16 Pure white
- 244,00 GBP

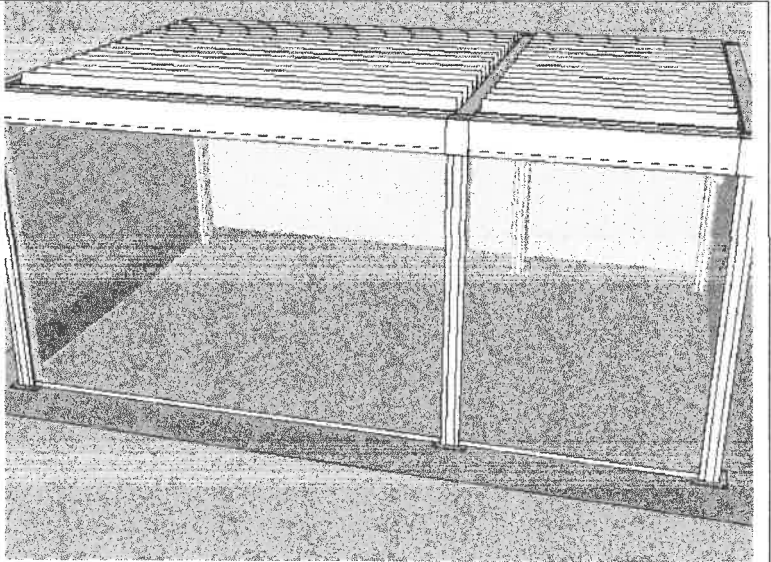
**TOTAL**

**45.070,00 GBP**

Document: 20/095071/2  
 Reference: Le Vesconte  
 Contact:

## Your product features

### Base structure

|  |                                      |   |
|--|--------------------------------------|---|
| <b>Product type</b><br>Camargue® 2-parts - Coupled at pivot side |                                      |  |
| <b>Dimension Span</b><br>4000 mm                                 |                                      |   |
| <b>Dimension Pivot</b><br>4000 mm                                |                                      |   |
| <b>Span 2</b><br>2.000   |                                      |   |
| <b>Pivot 2</b><br>4.000  |                                      |   |
| <b>Passage height</b><br>2400 mm                                 |                                      |   |
| <b>Colour frame and columns</b>                                  | Quotation TOP RAL - Textured colours |   |
| <b>Col lam</b>   | Quotation TOP RAL - Textured colours |   |
| <b>Motor-side 1</b><br>Coupling bar (P2)                         |                                      |   |
| <b>Motor-side 2</b><br>Coupling bar (P1)                         |                                      |   |
| <b>Blade rotation 1</b><br>Sunprotection                         |                                      |   |
| <b>Blade rotation 2</b><br>Sunprotection                         |                                      |   |

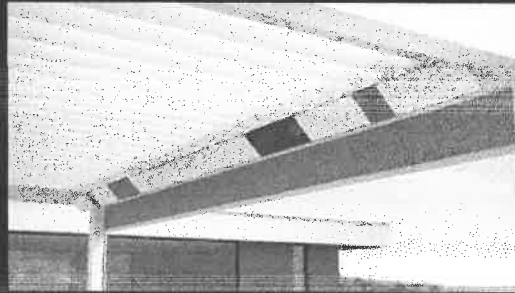
## Your product options

### 1 Beam Heat

The comfort in your terrace covering is increased even more thanks to the design beam with an integrated heating system.

The heating system uses a short-wave infrared transmitter that can be screened using a heat-resistant, black, ceramic glass plate.

The Beam can also be equipped with weather-resistant, 4-ohm speakers.



### 2 UpDown LED

Integrated LED lighting on the inside of the frame.

Fitted with upwards and downwards lighting.

This lets you create indirect and/or direct atmospheric lighting.

A total of two UpDown LED lighting modules can be installed per roof section.

The LEDs are dimmable.

Up lighting is available in:

- warm white (3000 K): perfect for creating ambiance, cosy gatherings, etc.
- pure white (5000 K): perfect for reading, etc.
- RGB: perfect for creating the right ambiance

Down lighting is available in:

- warm white (3000 K): perfect for creating ambiance, cosy gatherings, etc.
- pure white (5000 K): perfect for reading, etc.



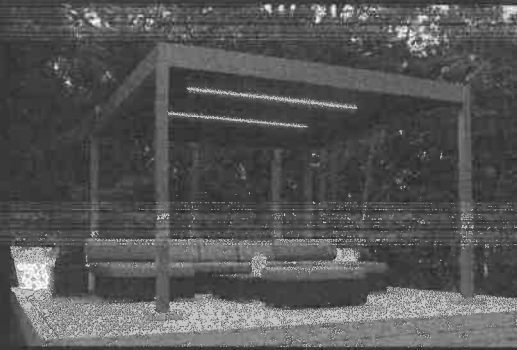
### 3 Lineo LED

Integrated LED lighting in the blades ensures even distribution without visible bright spots thanks to high-quality LEDs (180 per metre).

The LEDs are dimmable.

Available in

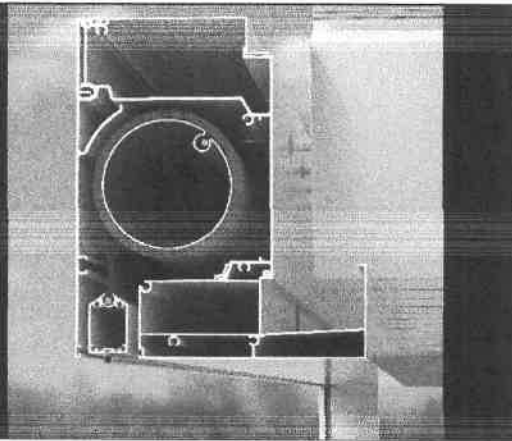
- warm white (3000 K): perfect for creating ambiance, cosy gatherings, etc.
- pure white (5000 K): perfect for reading, etc.

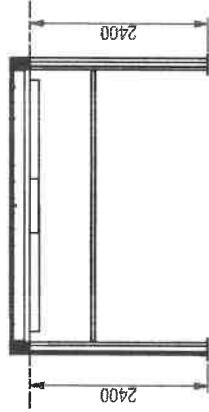


### 4 Integrated Fixscreen®

Integrated Fixscreens come in 50 colours, allowing you to customise your terrace covering and create the atmosphere you desire.

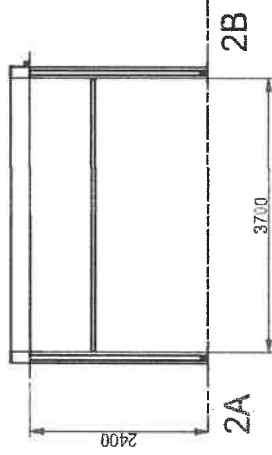
The terrace covering's frame profiles are developed in such a way that the bottom bar is aesthetically hidden away in the box when the screen is raised. Perfect integration into the frame and column, even after installation.





P2

2B

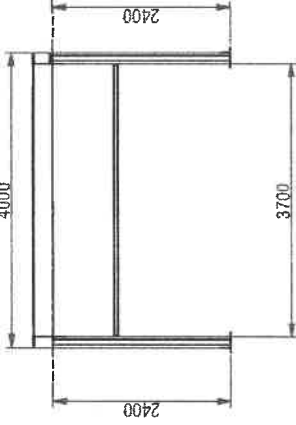


S1

2B

2A

1B

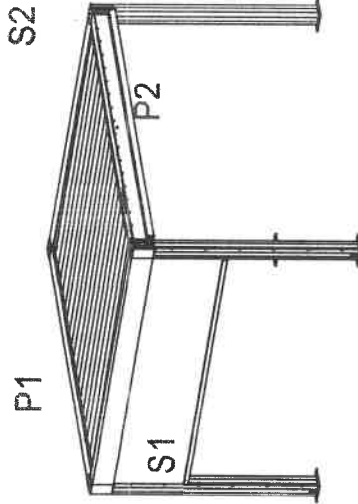


P1

S2

1A

2A



P1

S1

P1

S2

1B

S2

1A

S2

P2

S1

2B

S2

4000

1B

1A

S2

4000

1B

1A

S2

4000

1B

1A

P2

S1

4000

1B

1A

S2

4000

1B

1A

2B

1A

S2

4000

1B

1A

S2

4000

1B

1A

S2

4000

1B

1A

S2

4000

1B

1A

S2

4000

1B

1A

S2

4000

1B

1A

S2

4000

1B

1A

S2

4000

1B

1A

S2

4000

1B

1A

S2

4000

1B

1A

S2

4000

1B

1A

S2

4000

1B

1A

S2

4000

1B

1A

S2

4000

1B

1A

S2

4000

1B

1A

S2

4000

1B

1A

S2

4000

1B

1A

S2

4000

1B

1A

S2

4000

1B

1A

S2

4000

1B

1A

S2

4000

1B

1A

S2

4000

1B

1A

S2

4000

1B

1A

S2

4000

1B

1A

S2

4000

1B

1A

S2

4000

1B

1A

S2

4000

1B

1A

S2

4000

1B

1A

S2

4000

1B

1A

S2

4000

1B

1A

S2

4000

1B

1A

S2

4000

1B

1A

S2

4000

1B

1A

S2

4000

1B

1A

S2

4000

1B

1A

S2

4000

1B

1A

S2

4000

1B

1A

S2

4000

1B

1A

S2

4000

1B

1A

S2

4000

1B

1A

S2

4000

1B

1A

S2

4000

1B

1A

S2

4000

1B

1A

S2

4000

1B

1A

S2

4000

1B

1A

S2

4000

1B

1A

S2

4000

1B

1A

S2

4000

1B

1A

S2

4000

1B

1A

S2

4000

1B

1A

S2

4000

1B

1A

S2

4000

1B

1A

S2

4000

1B

1A

S2

4000

1B

1A

S2

4000

1B

1A

S2

4000

1B

1A

S2

4000

1B

1A

S2

4000

1B

1A

S2

4000

1B

1A

S2

4000

1B

1A

S2

4000

1B

1A

S2

4000

1B

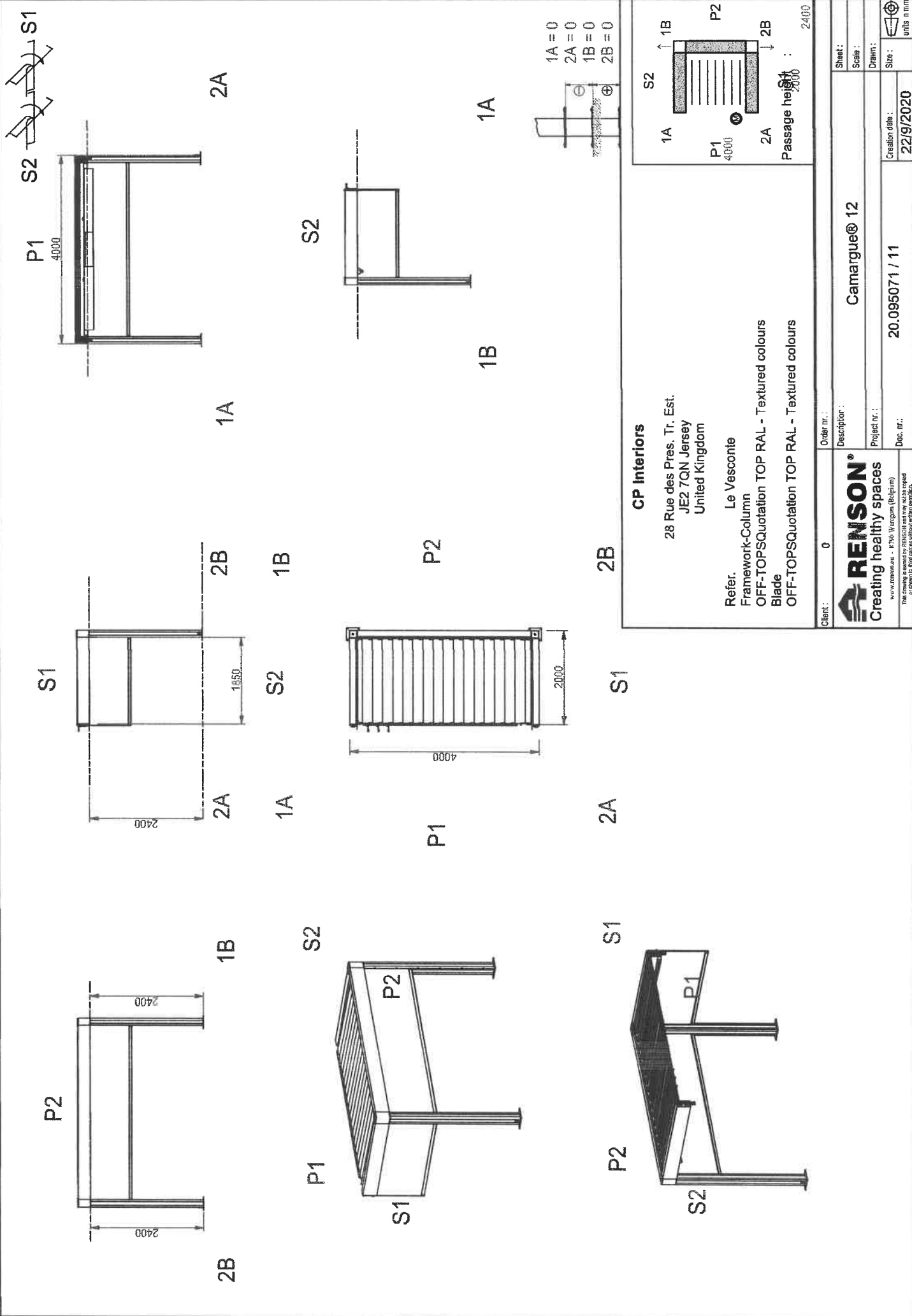
1A

S2

4000

1B

1A



1A = 0  
 2A = 0  
 1B = 0  
 2B = 0

**CP Interiors**  
 28 Rue des Pres. Tr. Est.  
 JE2 7QN Jersey  
 United Kingdom

Refer. Le Vesconte  
 Framework-Column  
 OFF-TOPSQuotation TOP RAL - Textured colours  
 Blade  
 OFF-TOPSQuotation TOP RAL - Textured colours

Client: 0  
 Order nr.:  
 Description: Camargue@ 12  
 Project nr.: 20.095071 / 11  
 Doc. nr.:  
 Creation date: 22/9/2020

**RENSON®**  
 Creating healthy spaces  
 www.renson.be - NVW - Wieringen (Belgium)  
 The drawing is a guide for RENSON® and they will be copied  
 © RENSON® 2020. All rights reserved.

20095071\_02\_11\_KON11109\_Camargue

## Leeana Taft

---

**From:** Adrian Colston-Weeks  
**Sent:** 15 September 2020 06:59  
**To:** Leeana Taft  
**Subject:** Fwd: Renson Pergola

Will need roof camargue as described. Freestanding plus screens to 2x 4 m. For sides and a 5 m plus 2 m for front although free standing it will be up against the house.  
Start with a 2400 passage height

Plus options for lights and heaters. .

Thanks  
Get [Outlook for iOS](#)

---

**From:** Katrina Le Vesconte <kblevesconte@gmail.com>  
**Sent:** Monday, September 14, 2020 10:38 pm  
**To:** Adrian Colston-Weeks; Sean Kevany  
**Cc:** Nick Andrews  
**Subject:** Renson Pergola

4+2 = 6  
x 4m

Hi all

Just to confirm the final dimensions for the pergola will be 8m x 4m. It will sit outside the kitchen area and have a pillar at 6m giving a 6m:2m split.( The 2m part being towards the study/ south side of the house.)

To enable the pillar to line up with the wall of the kitchen rather than the patio doors we will need to come in a bit on the north end of the kitchen wall. I hope that all makes sense but I'm sure it will on drawing when Adrian/ Renson draw it up?

Let me know if you need any more info from me.

Thanks

K  
--  
Katrina Le Vesconte



Creating healthy spaces

RENSON® Fabrications LTD

With the imminent implementation of Brexit we are unable to guarantee a free flow of material from our European suppliers, therefore all delivery dates are approximate to the best of our knowledge, we cannot accept any costs or claims under any

CP Interiors  
Leeana Taft  
Rue des Pres. Tr. Est. 28  
JE JE2 7QN Jersey  
TEL: 1534768141

**Subject : Webid=1564845 Quote**  
Adjudication : /00/00 WEB  
Your ref. : Le Vesconte 8m x 4m split post  
Our ref. : 20/112782/02PG 1 BHAYW Maidstone, 7/12/20

Dear,

Thank you for using e-REPS when sending us your inquiry.  
Please note that this document was automatically generated.

**CAM3 Camargue® 2-parts - Coupled at span side**  
**- Seaside Quality A**

- Colour blades: STR 0137 Frame : STR 0006
- STR 0137 - AE03059900220 - Fine Texture RAL 9002 GREY WHITE Polyester A
- STR 0006 - AE03057701620 - Fine Texture RAL 7016 Polyester Architectura
- Passage height 2400 mm
- Motorposition : P1✓
- Motor control : RTS
- Blade rotation : Sunprotection
- Corner 1A : Column at the corner
- Fixation holes : WITH mounting holes
- Mounting base : Invisible mounting base
- Corner 1B : Column at the corner
- Fixation holes : WITH mounting holes
- Mounting base : Invisible mounting base
- Water drainage : WITH water drainage
- Height water drainage : Drainage tube at 66mm above ground level
- Corner 2A : Column at the corner
- Fixation holes : WITH mounting holes
- Mounting base : Invisible mounting base
- Corner 2B : Column at the corner
- Fixation holes : WITH mounting holes
- Mounting base : Invisible reinforced mounting base
- Water drainage : WITH water drainage
- Height water drainage : Drainage tube at 66mm above ground level
- Building of the beam P1 : Full wall
- Building of the beam P2 : Freestanding
- Building of the beam S2 : Freestanding
- Lineo LED : Lineo LED
- Number of LED blades : 3
- Light colour Lineo LED : Warm white light (3000K)
- Handheld transmitters : G6002774 - Somfy Telis 16 Pure white
- Camargue C2 : Camargue 2
- Motorposition : P1✓
- Motor control : RTS
- Blade rotation : Sunprotection
- Corner 3A : Column at the corner
- Fixation holes : WITH mounting holes
- Mounting base : Invisible mounting base
- Corner 3B : Column at the corner

.. / ..

RENSON® Fabrications LTD

Fairfax Units 1-5 • Bircholt Road • Parkwood Industrial Estate • Maidstone • Kent ME15 9SF  
Tel: +44 (0) 1622/754123 • Fax: +44 (0)1622/689478 • Fax: + 44 (0)1622/689479 • info@rensonuk.net • www.renson.eu  
Company Reg. No. 2993317 • Registered Office Maidstone • VAT Reg. No. GB 619 474 809



Creating healthy spaces

RENSON® Fabrications LTD

With the imminent implementation of Brexit we are unable to guarantee a free flow of material from our European suppliers, therefore all delivery dates are approximate to the best of our knowledge, we cannot accept any costs or claims under any

CP Interiors  
Leeana Taft  
Rue des Pres. Tr. Est. 28  
JE JE2 7QN Jersey  
TEL: 1534768141

**Subject : Webid=1564845 Quote**  
Adjudication : /00/00 WEB  
Your ref. : Le Vesconte 8m x 4m split post  
Our ref. : 20/112782/02PG 3 BHAYW Maidstone, 7/12/20

|                                |            |           |                           |
|--------------------------------|------------|-----------|---------------------------|
| <b>.Camargue® 2-parts span</b> | <b>(1)</b> | <b>=</b>  | <b>8.160,13 GBP gross</b> |
| +Corner 1A                     | =          | 409,41    | GBP gross                 |
| +Corner 1B                     | =          | 409,41    | GBP gross                 |
| +Corner 2A                     | =          | 409,41    | GBP gross                 |
| +Corner 2B                     | =          | 409,41    | GBP gross                 |
| + Mounting base                | =          | 152,91    | GBP gross                 |
| +Number of LED blades          | =          | 2.361,00  | GBP gross                 |
| +Handheld transmitters         | =          | 202,09    | GBP gross                 |
| +Camargue C2                   | =          | 13.498,03 | GBP gross                 |
| +Corner 3A                     | =          | 409,41    | GBP gross                 |
| +Corner 3B                     | =          | 409,41    | GBP gross                 |
| +Fixscreen P2.1                | =          | 2.613,49  | GBP gross                 |
| +Number of LED blades          | =          | 926,00    | GBP gross                 |
| <b>TOTAL QUOTATION AMOUNT</b>  |            | <b>:</b>  | <b>18.222,07 GBP</b>      |

These prices are valid for orders based on this quote only and placed as 1 order. Any alterations require a new calculation.  
This quote is valid until 31/12/2020.

Deliverytime : General Terms and Conditions.  
See [www.renson.eu/tac-ventilation](http://www.renson.eu/tac-ventilation).  
Transport costs : General transport conditions.  
see [www.renson-customers.com](http://www.renson-customers.com).  
Payment condition : see terms and conditions

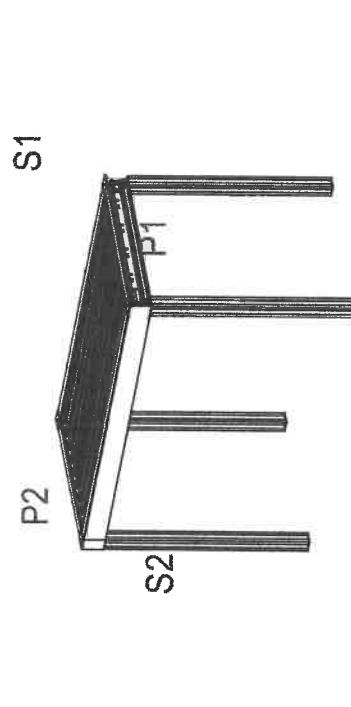
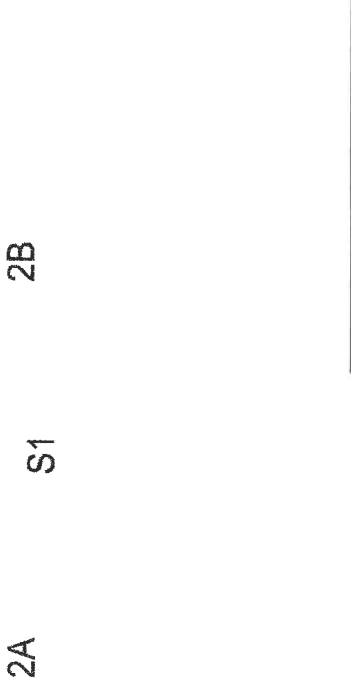
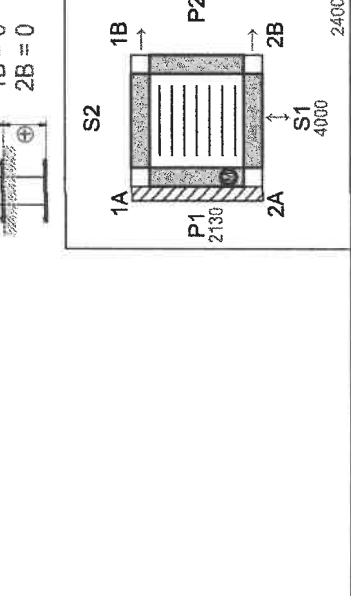
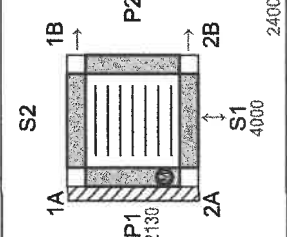
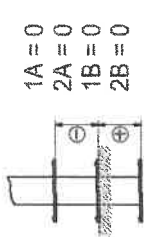
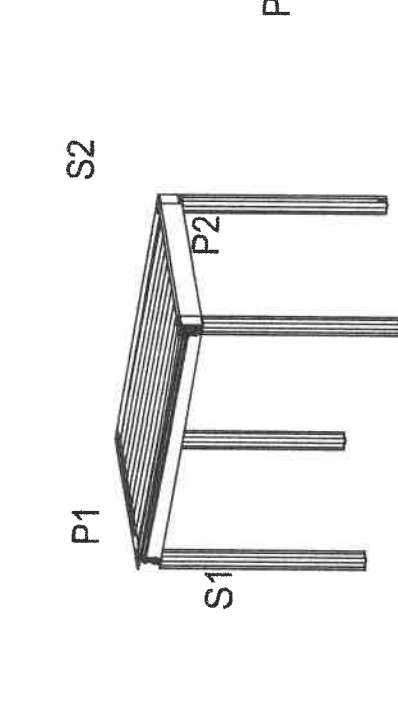
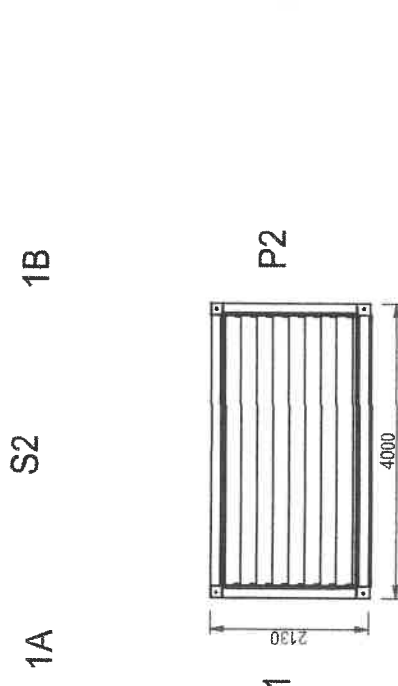
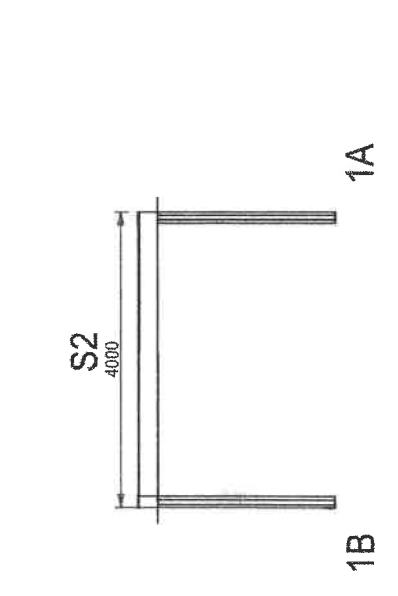
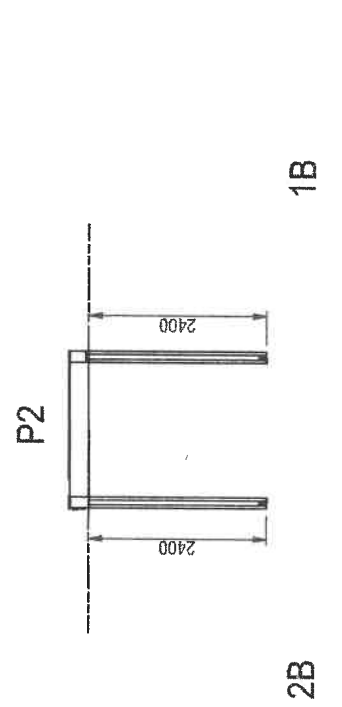
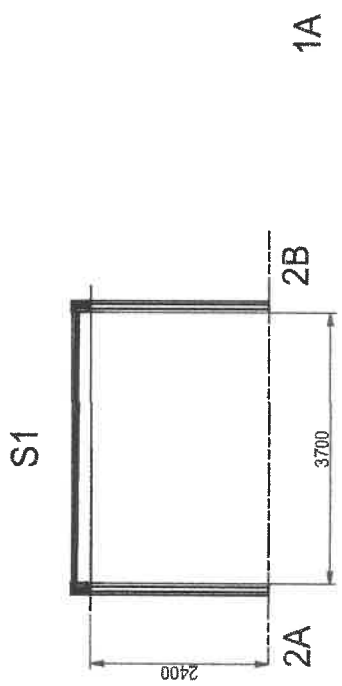
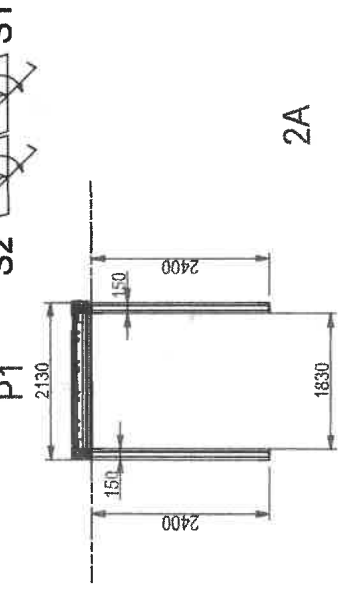
Should you require additional information, please do not hesitate to contact us. This document has been automatically generated.

Yours faithfully,  
Renson Fabrication

RENSON® Fabrications LTD

Fairfax Units 1-5 • Bircholt Road • Parkwood Industrial Estate • Maidstone • Kent ME15 9SF  
Tel: +44 (0) 1622/754123 • Fax: +44 (0)1622/689478 • Fax: + 44 (0)1622/689479 • [info@rensonuk.net](mailto:info@rensonuk.net) • [www.renson.eu](http://www.renson.eu)  
Company Reg. No. 2993317 • Registered Office Maidstone • VAT Reg. No. GB 619 474 809



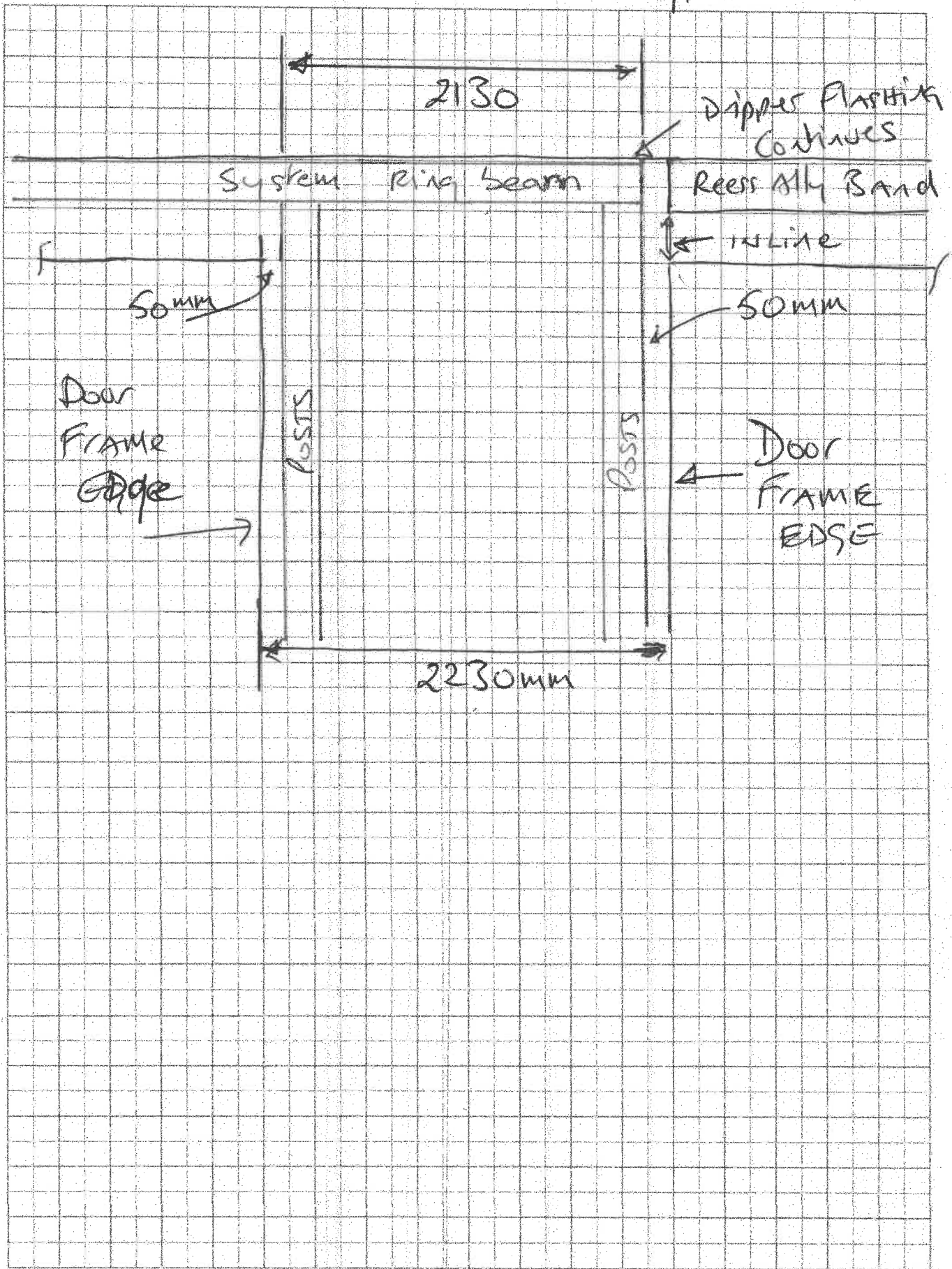


|  |                |             |
|--|----------------|-------------|
| Client:  | Order nr.:     | Sheet:      |
| <b>RENSON®</b><br>Creating healthy spaces<br>www.renson.eu - K791 Wierzen (Belgium)<br><small>The drawing is created by RENSON and may not be copy or shown to third parties without written permission.</small> | Description:   | Scale:      |
| 0001189001000.13197_Camargue   | Project nr.:   | Drawn:      |
|  | Doc. nr.:      | Size:       |
|  | Creation date: | Units in mm |

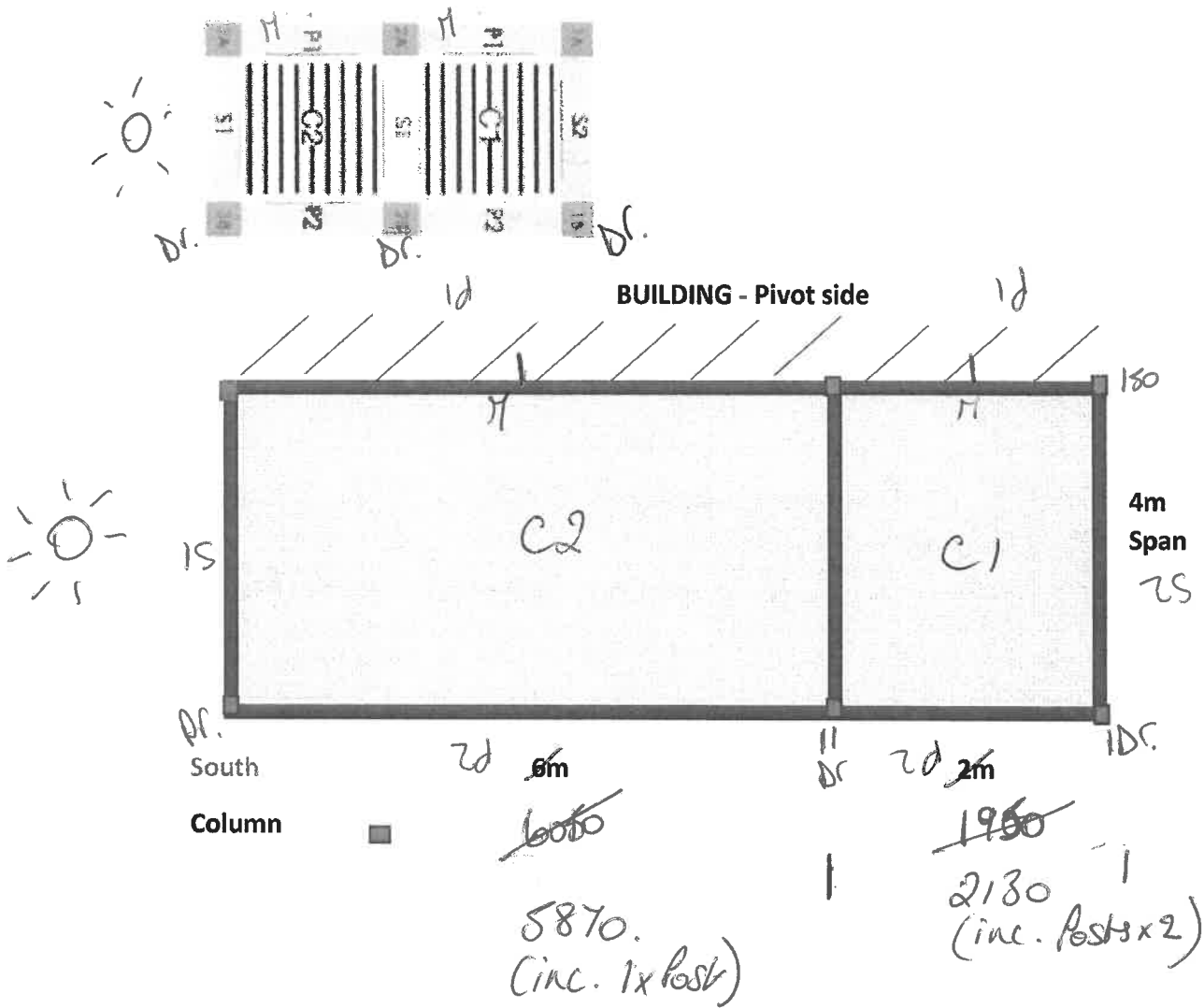
0001189001000.13197\_Camargue



# Clos Turgis



Indicative drawing (not to scale)



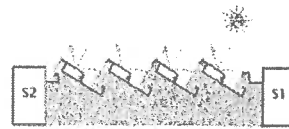
Louvre direction

RAL 7016 - Structure  
 RAL 9002 - Blades

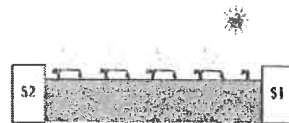
Sunprotection -

Sun protection: light blocked when open

Indirect sunlight



Roof closed



Direct sunlight



# Clos Taurgis

