

#7050

4.3.21

Order For Bladed Roof Systems

1/1

Supplier	Renson
Order No.	SO10009
Customer Ref.	Brise soliel
Contact Tel.	01534 768141
Date of Order	07-07-2020
Date Required	09-11-2020

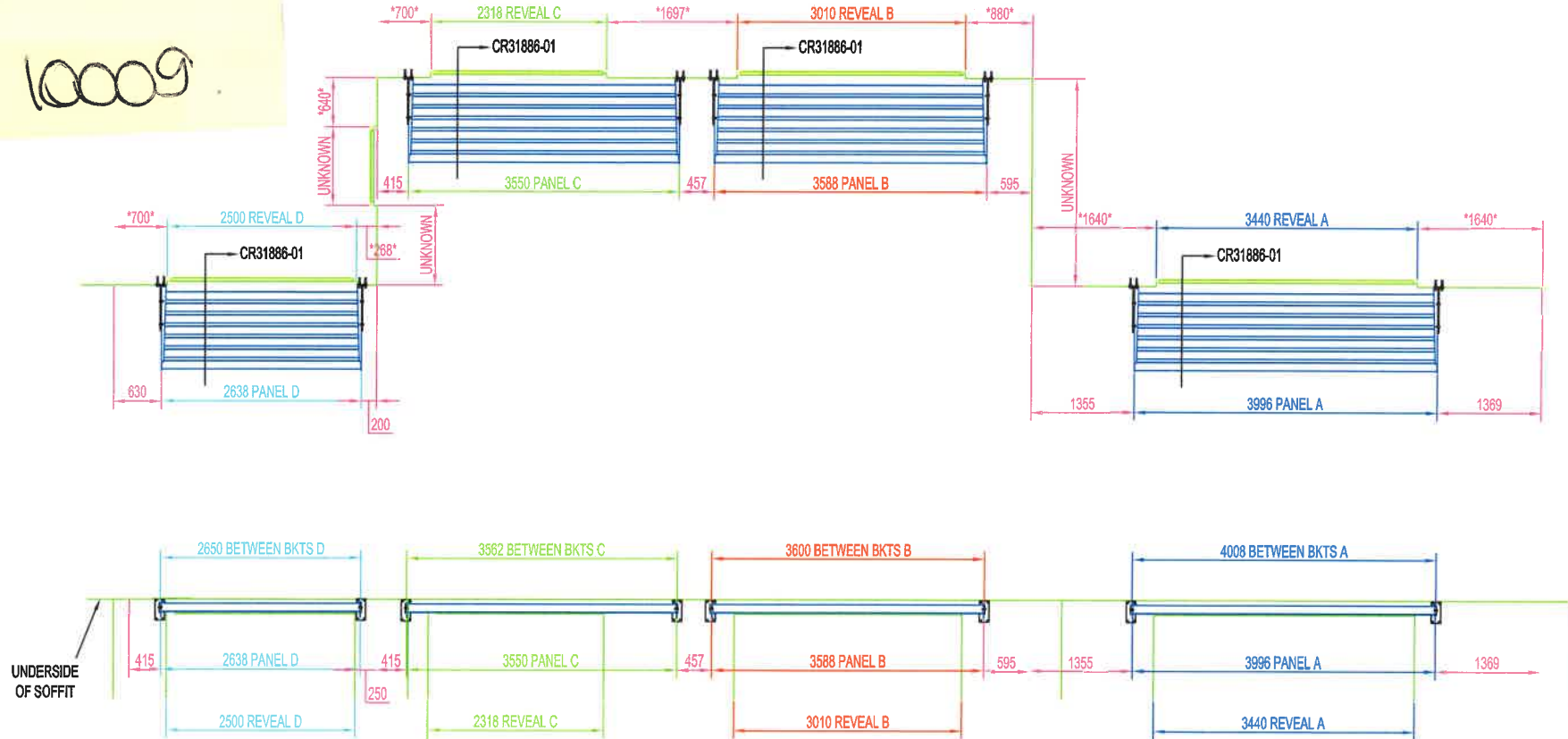
Invoice Details	
Name	Mr & Mrs. Graham & Alison De Zille
Address	Daisy Bank Park Estate
	St Brelade
Postcode	
Phone	07797742823

Delivery Details	
Name	Mr & Mrs. Graham & Alison De Zille
Address	Daisy Bank, Park Estate
	St Brelade
Postcode	
Phone	07797742823

Product Type	Qty	Width mm	Drop	Fitting Height	Fabric	Frame Colour	Further Instructions	Location
A	1	4000 4008	0				Brise Soliel W4000mm Powder coated in RAL7001	
B	1	4360 3600	0				Brise Soliel W4360mm Powder coated RAL7001	
C	1	4500 3562	0				Brise Soliel W4500mm Powder coated RAL7001	
D	1	4900 2650	0				Brise Soliel W4900mm Powder coated RAL7001	

De zille
 Brise Soleil
 So 10009

DO NOT FIT CORRECTLY ON SITE: DIMENSIONS MARKED THUS *MUST BE CONFIRMED TO DALES FABRICATIONS BEFORE MANUFACTURE CAN COMMENCE *



WITH THE EXCEPTION OF THEIR GUTTERS DALES SYSTEMS ARE DESIGNED WITH DRY JOINTS AND ACT AS RAINSCREENS ONLY: ALL WATERPROOFING REQUIREMENTS MUST BE MET BY OTHERS IN AREAS WHERE SNOW LIES ON ROOFS THE FRONT EDGE OF THE GUTTER SHOULD NOT BE HIGHER THAN THE PROJECTED LINE OF THE ROOF UNLESS SNOWGUARDS OR OTHER PRECAUTIONS ARE USED. IF YOU REQUIRE THIS DESIGN TO BE MODIFIED TO SUIT THIS CRITERIA PLEASE CONTACT DALES PLEASE NOTE:- THE SUITABILITY OF THIS DESIGN IS DEPENDENT UPON THE USE OF DALES FABRICATIONS LTD PRODUCTS AND NO RESPONSIBILITY CAN BE ACCEPTED BY DALES FABRICATIONS LTD. IF ANY OTHER PRODUCTS ARE USED.

FOR ANY ASSISTANCE ON THE DESIGN / INSTALLATION OF THIS SYSTEM PLEASE CONTACT THE UNDERSIGNED OR THE TECHNICAL DEPARTMENT

© COPYRIGHT RESERVED

DALES FABRICATIONS LTD
 Crompton Rd Ind Est
 Ilkeston Derbys DE7 4BG
 Tel: 0115 930 1521
 Fax: 0115 930 7625
 e-mail: sales@dales-eaves.co.uk
 Website: www.dales-eaves.co.uk

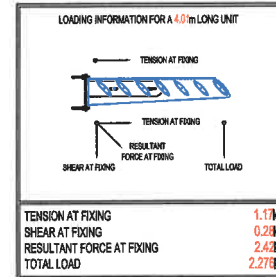
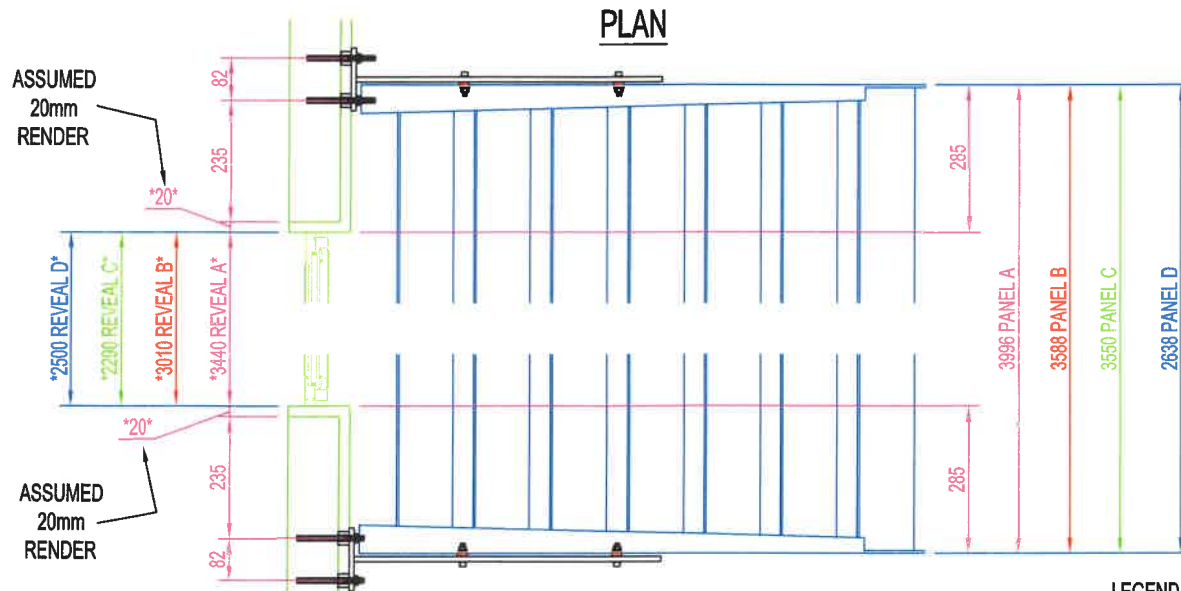
Project Daisy Bank
 Customer C P Interiors
 Description Solar Shading Layout

F		
E		
D		
C		
B		
A	UPDATED TO SUIT SITE DIMENTIONS	05/01/2020
Rev	Description	Date

Drawn by	SNS	Date	20/08/2020
Checked By		Scale	1:60 (A3)
Copy to Dales office in-		Drg No	CR31886-02A

DALES

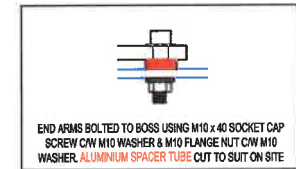
***TO ENSURE THAT DALES PRODUCTS FIT CORRECTLY ON SITE: DIMENSIONS MARKED THUS* MUST BE CONFIRMED TO DALES FABRICATIONS BEFORE MANUFACTURE CAN COMMENCE ***



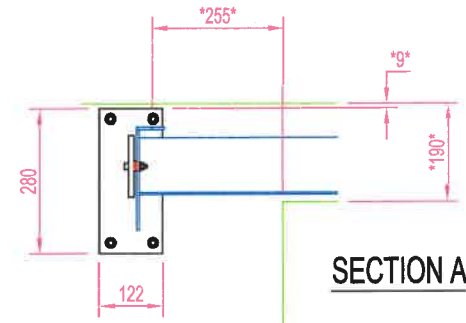
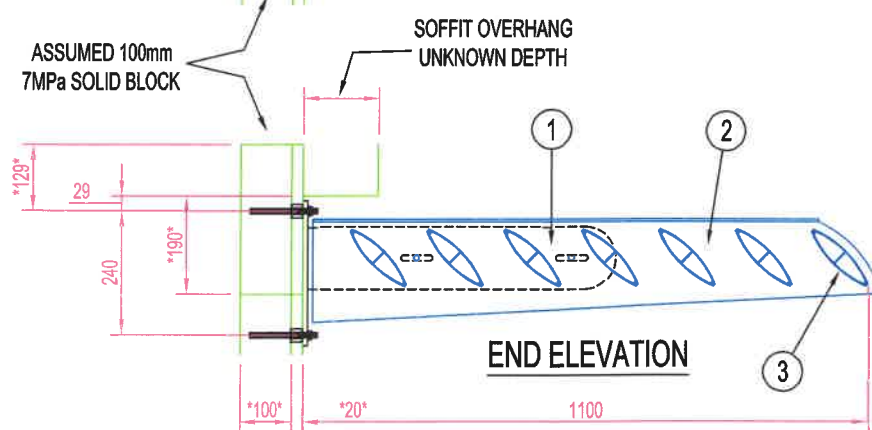
ASSUMING 20mm THK RENDER

SOLAR SHADING FIXED TO ASSUMED 7MPa SOLID BLOCKWORK USING M10 x 130mm STUD, M10 SIS WASHER, M10 SIS NUT, R-KEM II RAWL CHEMICAL MORTAR. REQUIRES Ø12mm X 65mm DEEP HOLE INTO BLOCKWORK. 196a BOBBIN BAR THROUGH FULL DEPTH OF RENDER

MAXIMUM TIGHTENING TORQUE = 15Nm



- LEGEND AND FIXING SEQUENCE (ITEMS 2 & 3 DELIVERED ASSEMBLED AS A UNIT)**
1. DALES FIRST FIX BKT - 10mm ALUMINIUM - PPC COLOUR & FINISH TBA (MARINE GRADE)
 2. DALES SUPPORT ARM - 5mm ALUMINIUM - PPC COLOUR & FINISH TBA (MARINE GRADE)
 3. DALES SHADEX 150 BLADE - EXTRUDED ALUMINIUM - PPC COLOUR & FINISH TBA (MARINE GRADE)



WITH THE EXCEPTION OF THEIR GUTTERS DALES SYSTEMS ARE DESIGNED WITH DRY JOINTS AND ACT AS RAINSCREENS ONLY: ALL WATERPROOFING REQUIREMENTS MUST BE MET BY OTHERS IN AREAS WHERE SNOW LIES ON ROOFS THE FRONT EDGE OF THE GUTTER SHOULD NOT BE HIGHER THAN THE PROJECTED LINE OF THE ROOF UNLESS SNOWGUARDS OR OTHER PRECAUTIONS ARE USED. IF YOU REQUIRE THIS DESIGN TO SUIT THIS CRITERIA PLEASE CONTACT DALES PLEASE NOTE:- THE SUITABILITY OF THIS DESIGN IS DEPENDENT UPON THE USE OF DALES FABRICATIONS LTD PRODUCTS AND NO RESPONSIBILITY CAN BE ACCEPTED BY DALES FABRICATIONS LTD. IF ANY OTHER PRODUCTS ARE USED.

FOR ANY ASSISTANCE ON THE DESIGN / INSTALLATION OF THIS SYSTEM PLEASE CONTACT THE UNDERSIGNED OR THE TECHNICAL DEPARTMENT

© COPYRIGHT RESERVED

DALES FABRICATIONS LTD
Crompton Rd Ind Est
Ilkeston Derbys DE7 4BG
Tel: 0115 930 1521
Fax: 0115 930 7625
e-mail: sales@dales-eaves.co.uk
Website: www.dales-eaves.co.uk

Project Daisy Bank
Customer C P Interiors
Description Solar Shading Detail Over 3440mm Opening

F		
E		
D		
C	UPDATED TO SUIT SITE DIMENTIONS	05/01/2021
B	MULTIPLE WINDOW CONDITIONS ADDED	20/08/2020
A	EDGE DISTANCE FROM 175mm TO 350mm	13/08/2020
Rev	Description	Date

Drawn by	SNS	Date	05/08/2020
Checked By		Scale	1:10 (A3)
Copy to Dales office in:-		Drg No	CR31866-01C

DALES

The amount due on transactions is £36.00
You have earned 11 points this period

Name On Card: Steve Baudains J106037

Card number: 7079195345000820838

Date	Reference	Product	Location	Quantity	Points	Amount
30/06/20	2774842	Unleaded	Falles Service Station	29.29	11	£36.00

What can I do with my Rubis Points?

Over 13,000 Channel Islanders use a Rubis Card to buy fuel every month - do you?
 When you use a Rubis Card to pick up fuel, you automatically earn Rubis Points, which can be redeemed with our wide variety of partners.

Call us on **01534 709 800** to find out more.



CP Interiors Limited
Jacqueline Jepson Director
La Rue le Gros
La Rue des Pres Trading Estate
St Saviour
Jersey
JE2 7QP

Page 1 of 2

Statement date **30th June 2020**

Customer Number **J0008208**

If you have any account queries contact us on

tel **01534 709 800**

email **enquiries@rubis-ci.co.uk**

We offer a wide range of products and services for our personal and commercial customers:

- Range of fuels for domestic, marine, motoring & commercial customers
- Rubis Card - the most generous fuel account card in the Channel Islands
- Boiler servicing & emergency call outs
- Plumbing & heating services - including Solar power
- Oil tank sales and installation
- Specialist lubricants

For more information please visit our website or contact us on

tel **01534 709 800**

email **enquiries@rubis-ci.co.uk**

website **www.rubis-ci.co.uk**

Due to COVID19 restrictions, we only have minimal office based staff. If you would like to make a card payment please help our staff & do so through our website www.rubis-ci.co.uk

Account summary

Balance at 30th June 2020

£36.00

Transactions this period	36.00
Balance at 30th June 2020	£36.00

Points summary

Points from last statement	0.00
Points earned this period	11.00
Points redeemed to date	0.00
Total points available	11.00
Your points are worth	£1.10

This account will be collected on or after the 15th of the month following statement date in accordance with your direct debit instructions

Adrian Colston-Weeks

From: Adrian Colston-Weeks
Sent: Monday, 21 December 2020 10:57
To: Tia Bexon
Cc: Edward Peach
Subject: RE: Daisy Bank CR31886 B1 DF35482

Hi Tia

Hope all going Ok with you in the UK,

I now have the accurate sizes, taken from the first fix brackets for this project

We have taken sizes from the internal face of the bracket supplied.

Panel A 4008 mm

Panel B 3600 mm

Panel C 3562 mm This width has changed from the original approx size, Panel D 2650 mm

Please can you let me know when the extended brackets and louvres will be dispatched.

Many thanks and Seasons Greetings.

Adrian Colston-Weeks
Director



Tel: (01534) 768141

www.cpinteriors.je Rue des Pres Trading Estate, St Saviour, Jersey, JE2 7QN

Blinds | Curtains | Awnings | Shutters | Furnishings | Interior Design | Project Management

-----Original Message-----

From: Tia Bexon <tia.bexon@dales-eaves.co.uk>
Sent: Thursday, 10 September 2020 11:41
To: Adrian Colston-Weeks <Adrian@cpinteriors.je>
Cc: Edward Peach <epeach@dales-eaves.co.uk>
Subject: Daisy Bank CR31886 B1 DF35482

Please find attached delivery notification for the First Fix Brackets for the above project.

Despatch Note No: CR31886 B1 DF35482

Title to the goods is not transferred to the purchaser until payment for the goods has been received by Dales Fabrications Ltd. All shortages or damages to goods to be notified to us within 48 hours. Terms and conditions remain as per our latest quotation.

Customer: C. P. Interiors
Your Order No: Email on 15/07/20
CR No. 31886
Date of Despatch: 11/09/2020
Notes:



DALES FABRICATIONS LTD
 Head Office
 Crompton Rd Ind Est,
 Ilkeston, Derbys, DE7 4BG
 Tel: 0115 930 1521
 Fax: 0115 930 7625
 www.dales-eaves.co.uk
 sales@dales-eaves.co.uk

Batch Description: First Fix Brackets			Carrier:	Customer Collecting	
Qty		Description	Ref	Stock	Return
8	No	Solar shading brackets - 595mm projection			
		Fixing instructions			
		Fixings (as Fixing Issue List)			

TWO

Name:	Company:	
Signed:	Date:	Time:



Tel: 0115 930 1521
Fax: 0115 930 7625
E-mail: sales@dales-eaves.co.uk
Web: www.dales-eaves.co.uk

FIXING INSTRUCTIONS

CR31886-B1-DF 35482

Customer: C. P. Interiors
Project: Daisy Bank, St Brelade , Jersey
Batch Description: First Fix Brackets

TECHNICAL GUIDE

Dales manufacture a wide range of Eaves products that are the result of research, development and experience. We provide general fixing instructions for our products, as the fundamental design characteristics remain the same, although the appearance can vary greatly on different projects.

However, each project is unique and therefore general instructions, although necessary, do not give sufficient information about the individual project. Consequently, we have produced this guide to help you to understand our products and systems and also to suggest the sequence of fixing for this particular project.

A "fixings issue list" is included in the box marked 'FIXINGS' with full size illustrations, where possible, for easy identification.

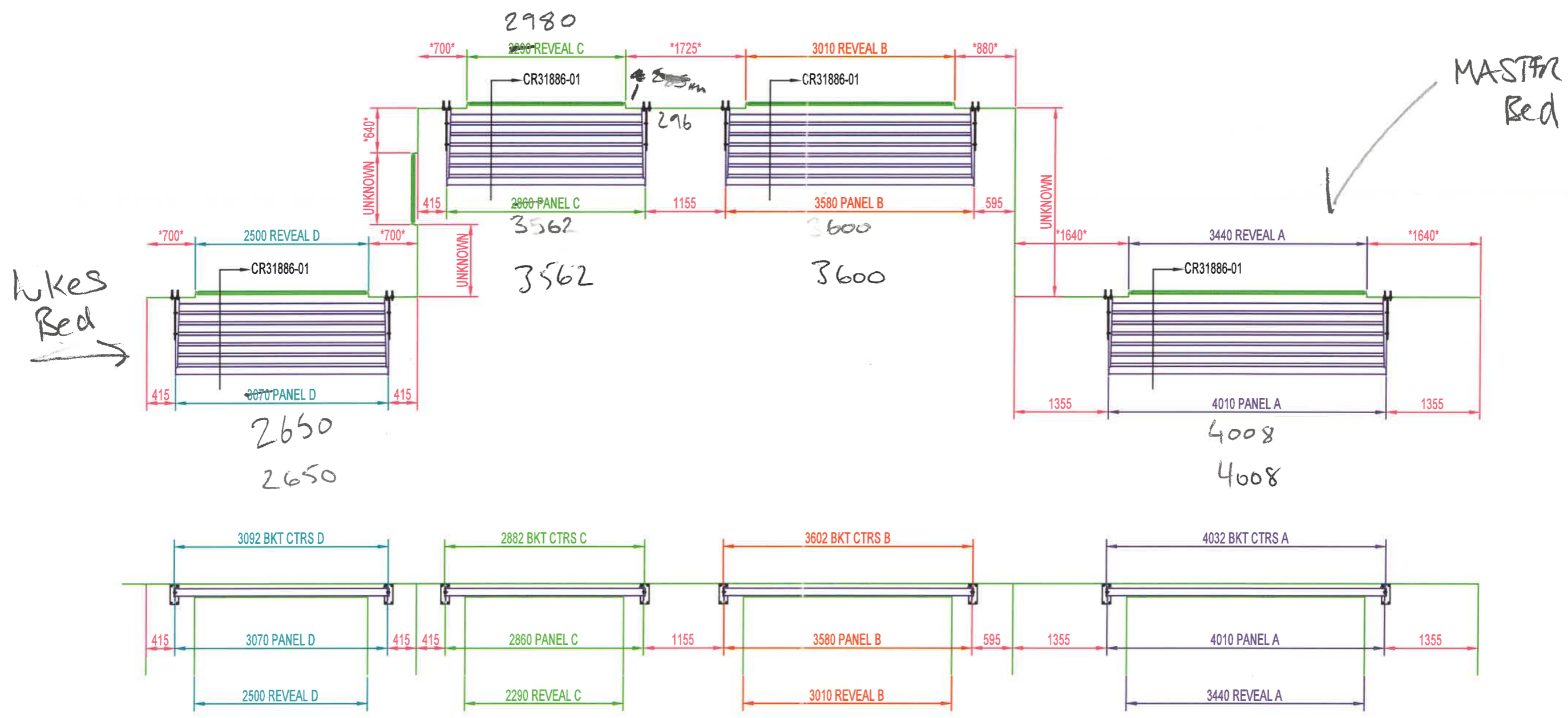
Table of Contents

- Project assembly and fixing sequence drawings for this specific project (Ref: CR31886-01b, 02, 03)
- Dales Solar Shading Systems fixing instructions (general)

Please do not hesitate to contact me should you need any further information.

Edward Peach
Project Manager
Email: epeach@dales-eaves.co.uk
Direct Tel: 0115 9898769

***TO ENSURE THAT DALES PRODUCTS FIT CORRECTLY ON SITE: DIMENSIONS MARKED THUS *MUST BE CONFIRMED TO DALES FABRICATIONS BEFORE MANUFACTURE CAN COMMENCE ***

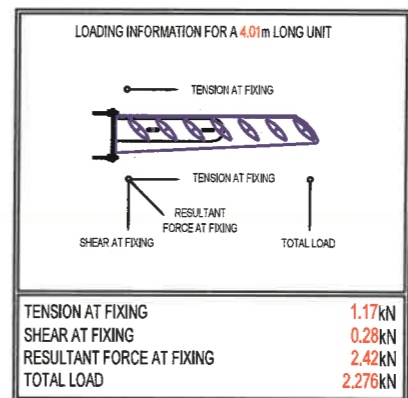
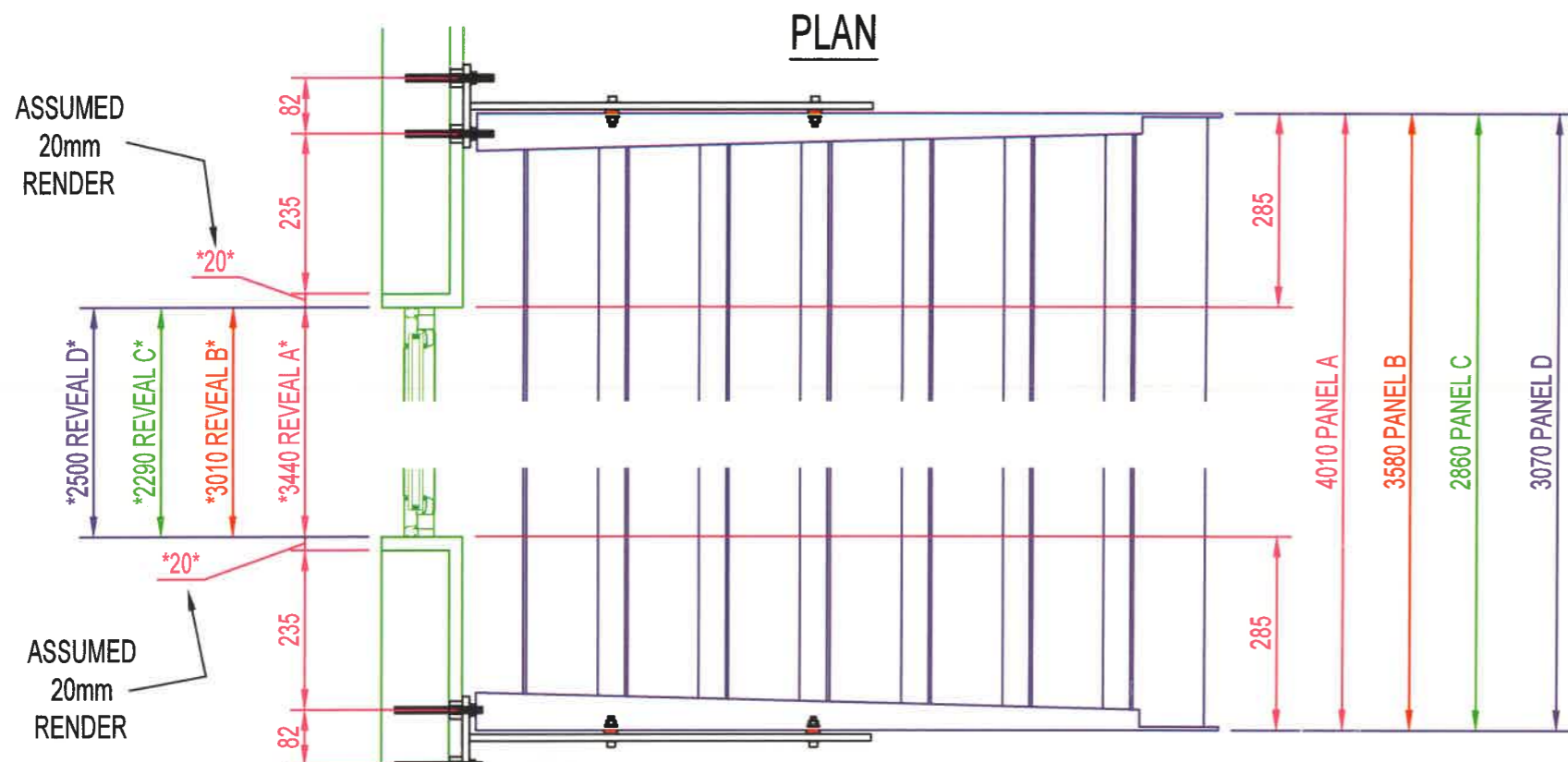


WITH THE EXCEPTION OF THEIR GUTTERS DALES SYSTEMS ARE DESIGNED WITH DRY JOINTS AND ACT AS RAINSCREENS ONLY: ALL WATERPROOFING REQUIREMENTS MUST BE MET BY OTHERS IN AREAS WHERE SNOW LIES ON ROOFS THE FRONT EDGE OF THE GUTTER SHOULD NOT BE HIGHER THAN THE PROJECTED LINE OF THE ROOF UNLESS SNOWGUARDS OR OTHER PRECAUTIONS ARE USED. IF YOU REQUIRE THIS DESIGN TO BE MODIFIED TO SUIT THIS CRITERIA PLEASE CONTACT DALES PLEASE NOTE:- THE SUITABILITY OF THIS DESIGN IS DEPENDENT UPON THE USE OF DALES FABRICATIONS LTD PRODUCTS AND NO RESPONSIBILITY CAN BE ACCEPTED BY DALES FABRICATIONS LTD. IF ANY OTHER PRODUCTS ARE USED.

FOR ANY ASSISTANCE ON THE DESIGN / INSTALLATION OF THIS SYSTEM PLEASE CONTACT THE UNDERSIGNED OR THE TECHNICAL DEPARTMENT

© COPYRIGHT RESERVED	DALES FABRICATIONS LTD Crompton Rd Ind Est Ilkeston Derbys DE7 4BG Tel: 0115 930 1521 Fax: 0115 930 7625 e-mail: sales@dales-eaves.co.uk Website: www.dales-eaves.co.uk	Project Daisy Bank	F	Drawn by SNS	Date 20/08/2020
		Customer C P Interiors	E	Checked By	Scale 1:60 (A3)
DALES		Description Solar Shading Layout	D	Copy to Dales office in:-	Drg No CR31866-02
			C		
			B		
			A		
			Rev	Description	Date

***TO ENSURE THAT DALES PRODUCTS FIT CORRECTLY ON SITE: DIMENSIONS MARKED THUS *MUST BE CONFIRMED TO DALES FABRICATIONS BEFORE MANUFACTURE CAN COMMENCE ***



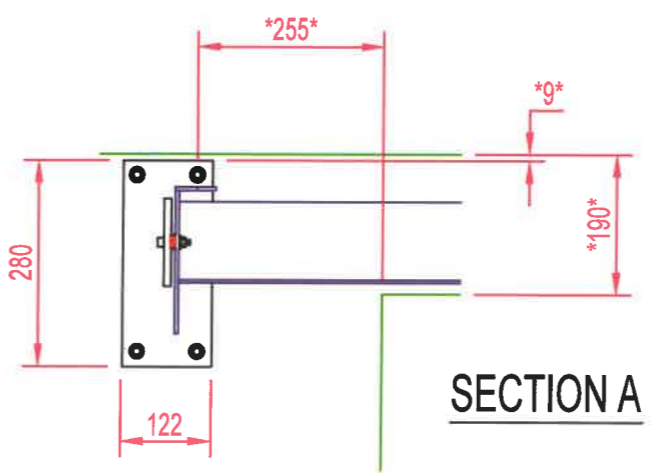
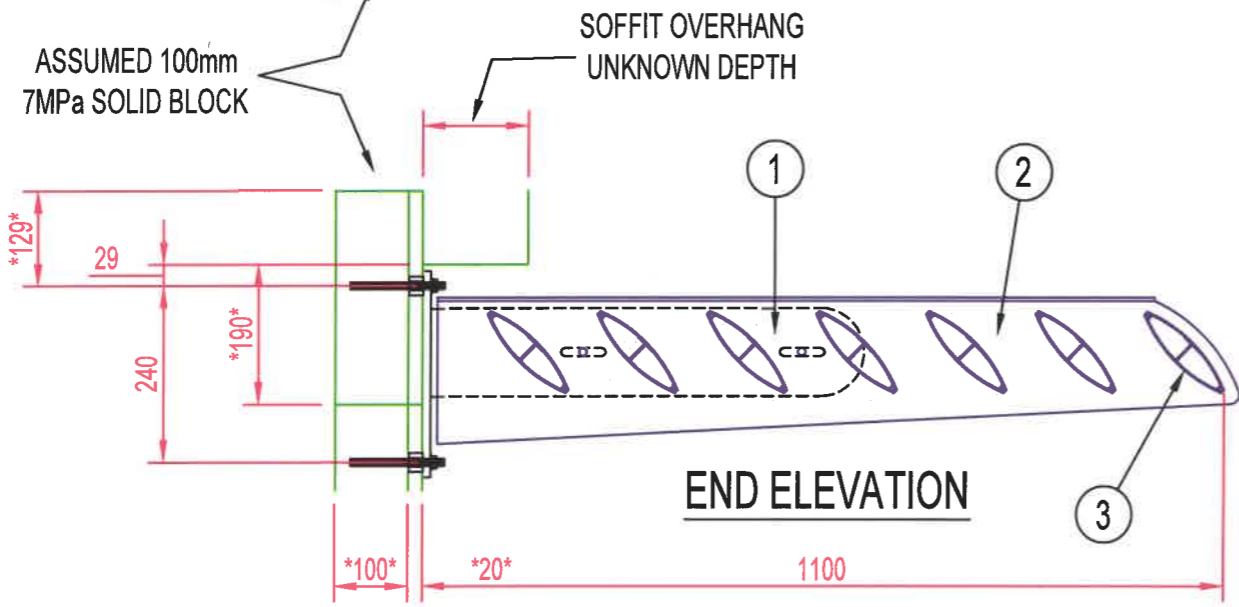
ASSUMING 20mm THK RENDER

SOLAR SHADING FIXED TO ASSUMED 7MPa SOLID BLOCKWORK USING M10 x 130mm STUD, M10 S/S WASHER, M10 S/S NUT, R-KEM II RAWL CHEMICAL MORTAR. REQUIRES Ø12mm X 85mm DEEP HOLE INTO BLOCKWORK. 19dia BOBBIN BAR THROUGH FULL DEPTH OF RENDER

MAXIMUM TIGHTENING TORQUE = 15Nm

END ARMS BOLTED TO BOSS USING M10 x 40 SOCKET CAP SCREW C/W M10 WASHER & M10 FLANGE NUT C/W M10 WASHER. ALUMINIUM SPACER TUBE CUT TO SUIT ON SITE

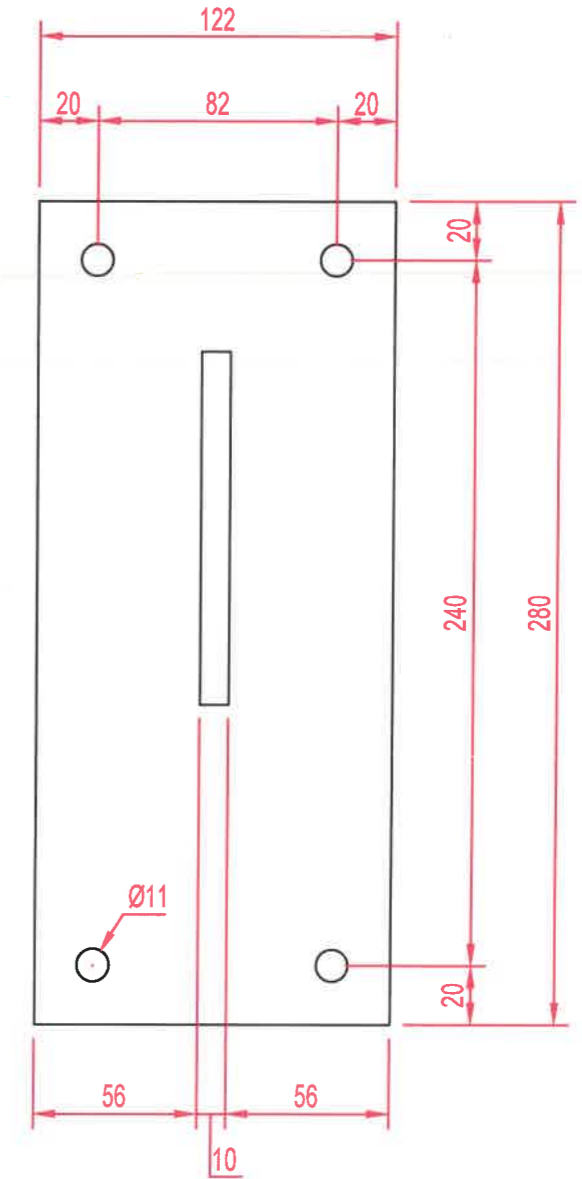
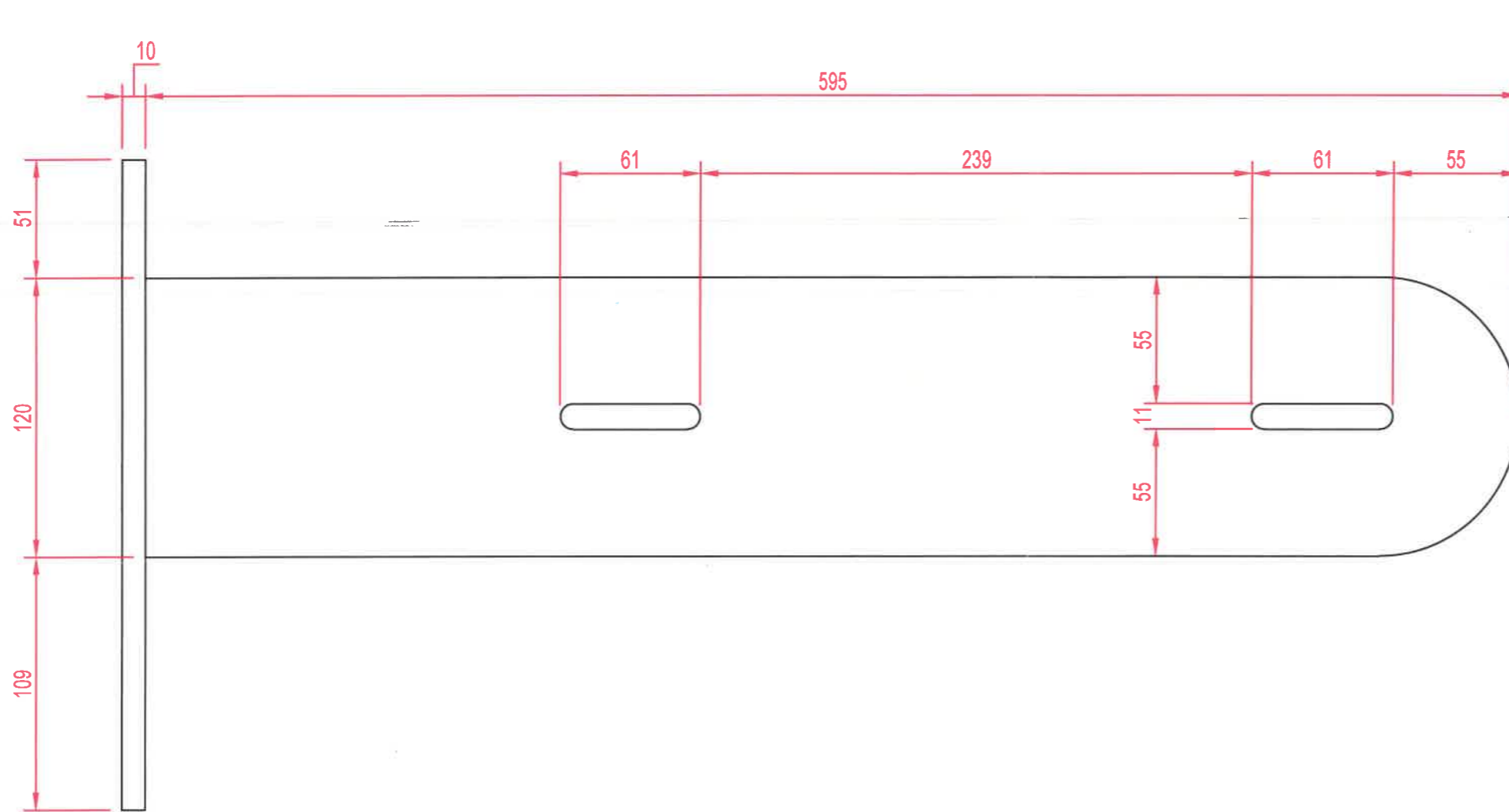
- LEGEND AND FIXING SEQUENCE (ITEMS 2 & 3 DELIVERED ASSEMBLED AS A UNIT)**
1. DALES FIRST FIX BKT - 10mm ALUMINIUM - PPC COLOUR & FINISH TBA (MARINE GRADE)
 2. DALES SUPPORT ARM - 5mm ALUMINIUM - PPC COLOUR & FINISH TBA (MARINE GRADE)
 3. DALES SHADEX 150 BLADE - EXTRUDED ALUMINIUM - PPC COLOUR & FINISH TBA (MARINE GRADE)



WITH THE EXCEPTION OF THEIR GUTTERS DALES SYSTEMS ARE DESIGNED WITH DRY JOINTS AND ACT AS RAINSCREENS ONLY: ALL WATERPROOFING REQUIREMENTS MUST BE MET BY OTHERS IN AREAS WHERE SNOW LIES ON ROOFS THE FRONT EDGE OF THE GUTTER SHOULD NOT BE HIGHER THAN THE PROJECTED LINE OF THE ROOF UNLESS SNOWGUARDS OR OTHER PRECAUTIONS ARE USED. IF YOU REQUIRE THIS DESIGN TO BE MODIFIED TO SUIT THIS CRITERIA PLEASE CONTACT DALES PLEASE NOTE:- THE SUITABILITY OF THIS DESIGN IS DEPENDENT UPON THE USE OF DALES FABRICATIONS LTD PRODUCTS AND NO RESPONSIBILITY CAN BE ACCEPTED BY DALES FABRICATIONS LTD. IF ANY OTHER PRODUCTS ARE USED.

FOR ANY ASSISTANCE ON THE DESIGN / INSTALLATION OF THIS SYSTEM PLEASE CONTACT THE UNDERSIGNED OR THE TECHNICAL DEPARTMENT

© COPYRIGHT RESERVED	DALES FABRICATIONS LTD Crompton Rd Ind Est Ilkeston Derbys DE7 4BG Tel: 0115 930 1521 Fax: 0115 930 7625 e-mail: sales@dales-eaves.co.uk Website: www.dales-eaves.co.uk	Project Daisy Bank	F		Drawn by SNS	Date 05/08/2020
	DALES	Customer C P Interiors	E		Checked By	Scale 1:10 (A3)
Description Solar Shading Detail Over 3440mm Opening		D				
			C		Copy to Dales office in:-	Drg No CR31866-01B
			B	MULTIPLE WINDOW CONDITIONS ADDED		
			A	EDGE DISTANCE FROM 175mm TO 350mm	13/08/2020	
			Rev	Description	Date	



WITH THE EXCEPTION OF THEIR GUTTERS DALES SYSTEMS ARE DESIGNED WITH DRY JOINTS AND ACT AS RAINSCREENS ONLY: ALL WATERPROOFING REQUIREMENTS MUST BE MET BY OTHERS IN AREAS WHERE SNOW LIES ON ROOFS THE FRONT EDGE OF THE GUTTER SHOULD NOT BE HIGHER THAN THE PROJECTED LINE OF THE ROOF UNLESS SNOWGUARDS OR OTHER PRECAUTIONS ARE USED. IF YOU REQUIRE THIS DESIGN TO BE MODIFIED TO SUIT THIS CRITERIA PLEASE CONTACT DALES PLEASE NOTE:- THE SUITABILITY OF THIS DESIGN IS DEPENDENT UPON THE USE OF DALES FABRICATIONS LTD PRODUCTS AND NO RESPONSIBILITY CAN BE ACCEPTED BY DALES FABRICATIONS LTD. IF ANY OTHER PRODUCTS ARE USED.

FOR ANY ASSISTANCE ON THE DESIGN / INSTALLATION OF THIS SYSTEM PLEASE CONTACT THE UNDERSIGNED OR THE TECHNICAL DEPARTMENT

© COPYRIGHT RESERVED

DALES

DALES FABRICATIONS LTD
Crompton Rd Ind Est
Ilkeston Derbys DE7 4BG
Tel: 0115 930 1521
Fax: 0115 930 7625
e-mail: sales@dales-eaves.co.uk
Website: www.dales-eaves.co.uk

Project **Daisy Bank**
Customer **C P Interiors**
Description **Solar Shading First Fix Bracket**

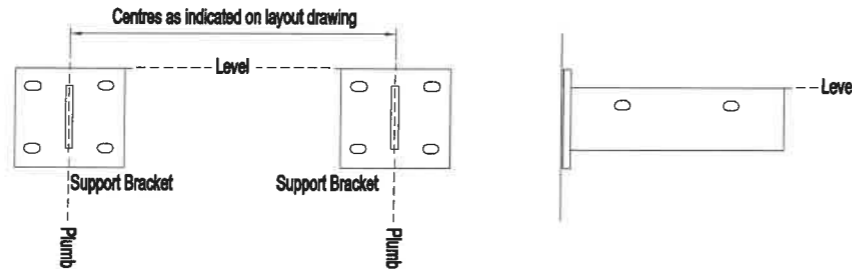
F		
E		
D		
C		
B		
A		
Rev	Description	Date

Drawn by	SNS	Date	20/08/2020
Checked By		Scale	1:2.5 (A3)
Copy to Dales office in:-		Drg No	CR31866-03

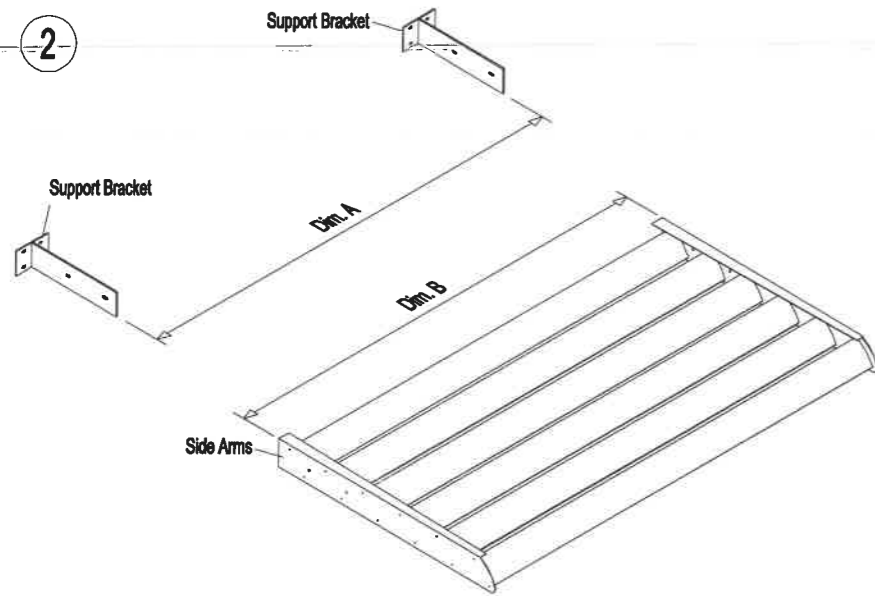
1

Install the support brackets as indicated on the detailed sectional and layout drawings supplied.

Note: Support brackets must be fixed straight and level and perpendicular to the face of building as they will be visible after installation of the system. Some shimming and packing may be necessary to achieve a good line.



2



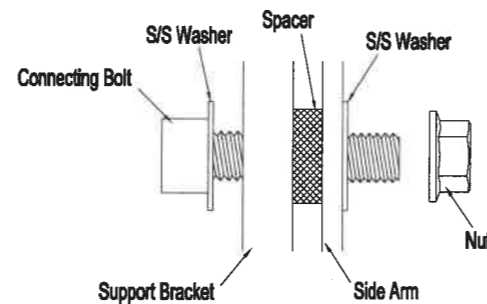
Spacers must now be cut from the lengths of Ø19mm tube supplied.

Measure the opening between the two support brackets where the first unit is to be installed (Dim. A), then measure the overall width of the unit that is to be installed (Dim. B). The difference between these two dimensions should be divided by two to give the length at which the spacers for this unit are to be cut.

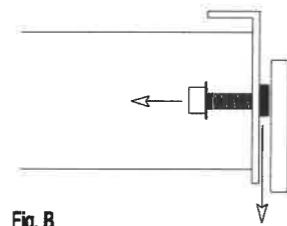
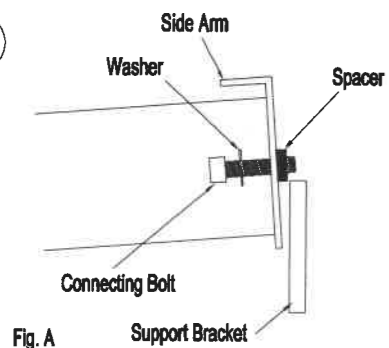
Cut the spacers (4No) to the appropriate length using a hacksaw and mitre block

3

Offer up the unit to be installed. Secure the left hand end of the unit using the connecting bolts, washers, spacers and nuts, as shown. The nuts should be left finger tight at this stage.



4

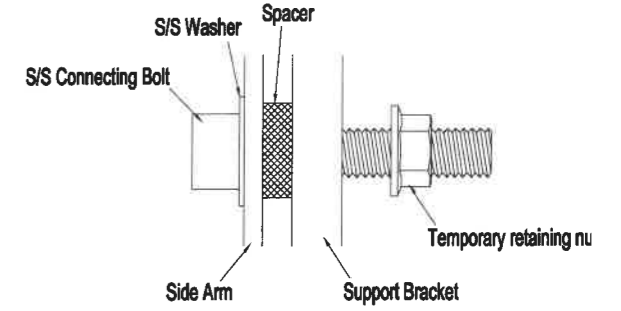


The right hand end of the unit should now be lifted above the support bracket to allow the insertion of the connecting bolts, washers and spacers. (Fig. A) The bolts can now be partially removed to allow the unit to be lowered into position, whilst still retaining the spacers. (Fig. B)

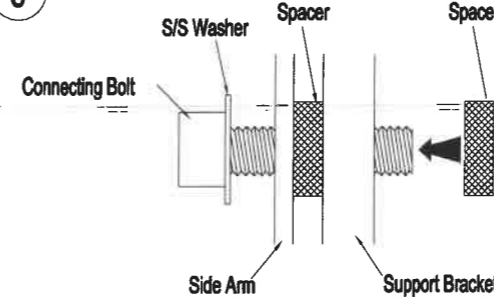
5

The connecting bolts can now be fully inserted to secure the right hand end of the unit. Nuts should be applied temporarily to prevent the unit becoming dislodged.

Cut the 4No spacers to suit the second unit to be installed (Refer to step 2)



6

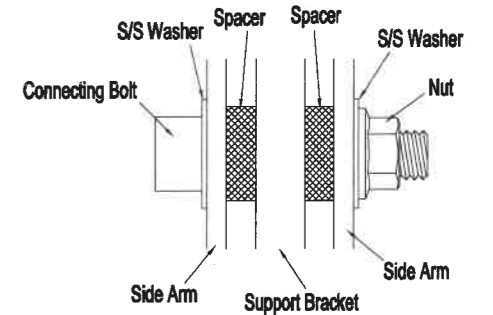


Remove the temporary retaining nuts and partially withdraw the connecting bolts securing the right hand end of unit 1. Apply the unit 2 spacers to the ends of the connecting bolts.

7

Position unit 2 and secure the left hand end by fully inserting the connecting bolts between unit 1 and 2. Install the washers and nuts, as shown.

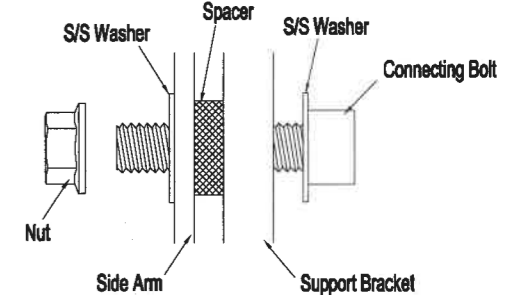
The right hand end of unit 2 can now be secured (refer to step 4).



8

Complete the run in accordance with steps 2 to 7.

The 40mm connecting bolts securing the right-hand end of the final unit should be inserted through the support arm first so that the bolts are visible rather than the nuts.



9

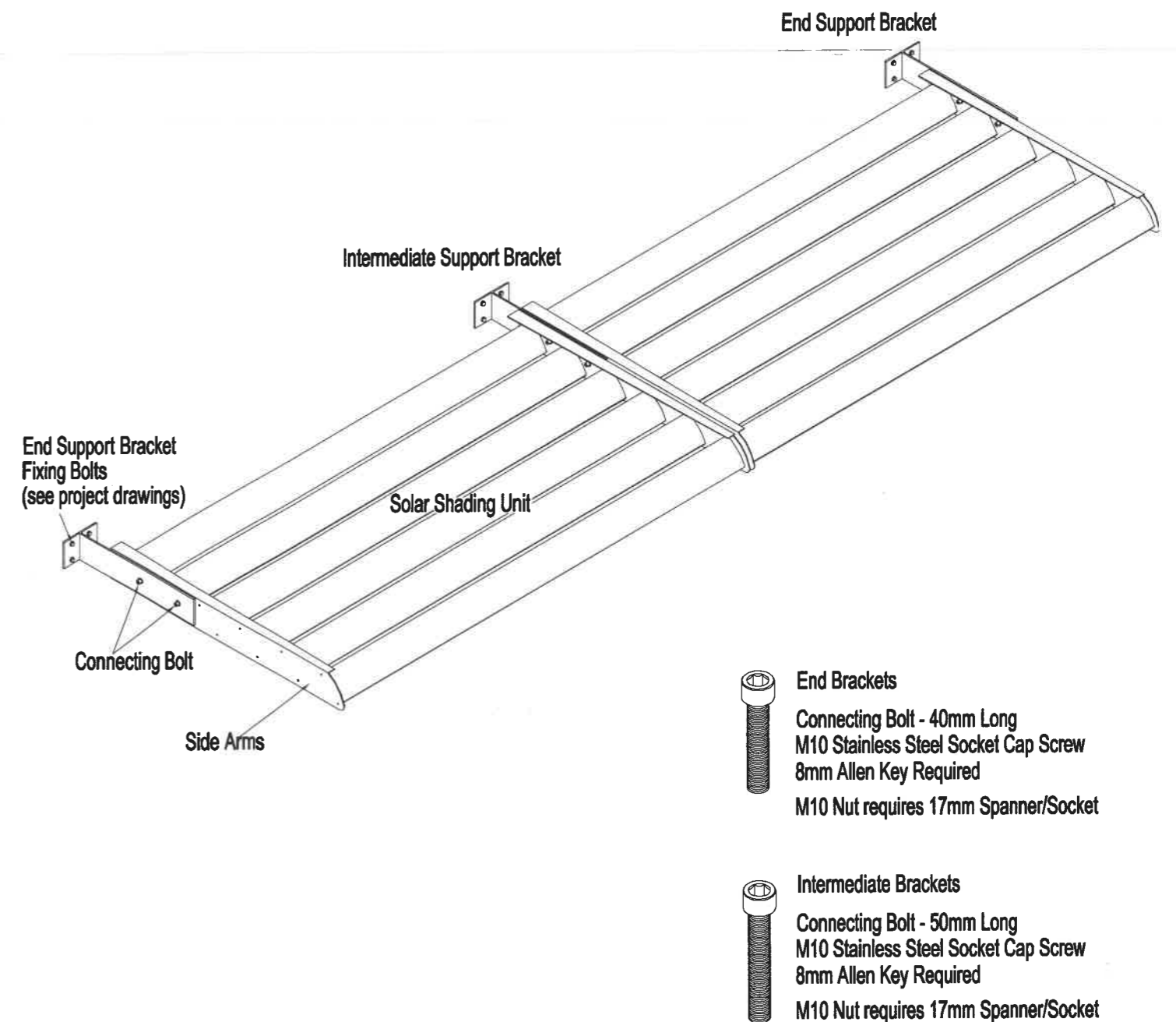


Using a spirit level, all units must now be lined and levelled.

All nuts and bolts should now be fully tightened.

Installation of the solar shading units must be carried out in a continuous run, ie starting at one end of the elevation and working towards the opposite end of the building.

These instructions assume the system will be installed from left to right. Note: A minimum of two operatives are required to install this system.



NOTE: IF IN DOUBT ASK

If these instructions are unclear, or you require any additional assistance, please contact Dales' technical department on 0115 930 1521.