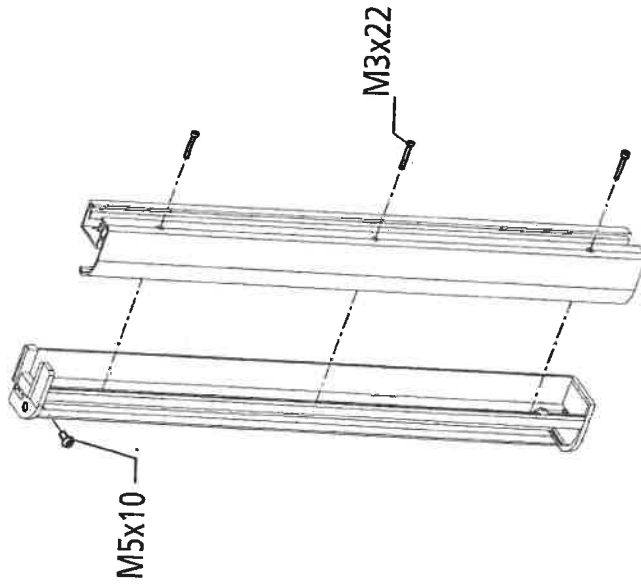


121179-0000

Montageblatt Schraubenset Führungsschiene



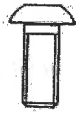
Schraubenset
Führungsschiene

121157-0000

20x M3x22



2x M5x10



RECEIVED

26 NOV 2020

SCANNED

121179

(NL) Technische wijzigingen voorbehouden
 (GB) We reserve the right to make technical changes
 (F) Sous réserve de modifications techniques

(D) Technische Änderungen vorbehalten

Stand: 15.12.16

Zeichnungs-Nr.: 056234a

Blatt 1 von 1

weinor

end caps
 missing!
 emailed them
 30.11.20 MZ

HAZZARD
 SO 9999

weinor GmbH & Co. KG PO box 301473 D-50784 Köln

C P Interiors

**Rue Des Pres Trading Estate
GB-JE2 7QN St Saviour Jersey**

delivery address

C P Interiors

Rue Des Pres Trading Estate
JE-JE2 7QN St Saviour Jersey

Shipping information

sales order no.: 202513985
customer: 165708
phone number: 0044-1534-768141
fax: 0044-1534-768628
order date: 13.11.2020
reference: **Compl. to Hazzard / 202467844**
pers. in charge: Chris Nicholson
phone / fax number: +49-221-59709-452
representat.: 654 Chris Spickett
tel (representat.): 0044 (0) 7894443907
Created on: 20.11.2020

Dear sir or madam, the weinor shipping department has dispatched the following:

pos	product	quantity	package	latest despatch *	Forwarder	complete or partial deliv.**
1	4112 Spare parts Vertitex	1	1	30.11.2020	UPS Standard	A

Following items have been dispatched:

pos	product	quantity	package	approx. delivery date	Forwarder	complete or partial deliv.**
2	4104 Spare parts Terrazza	1	1	24.11.2020	UPS Standard	B

No more items will be sent. The order is completed.

→ Received on 25.11.20

* earlier delivery possible

** Items with identical system letters will be dispatched together on customer request.

If you have any further questions about your order, please check your order status on the internet, which can be found under www.weinorshop.com under the link "Order status".

With best regards

Relax al Fresco Weinor
Shipping department

weinor GmbH & Co. KG
Mathias-Brüggen-Strasse 110
D-50829 Köln
weinor.com

Managing Director:
Thilo Weiermann
General partner:
Weinor Beteiligungs-GmbH
Köln

VAT no.: DE 122814372
Tax ID no.: 217/5866/0097
Place of registration: Cologne
Company reg. no.: HRA 5676
Place of registration: Cologne
Company reg. no.: HRB 4661

Commerzbank London
Sort Code 40-62-01
Swift BIC Code COBAGB2X
Account no: 30266480
IBAN: GB24 COBA 4062 0130 2664 80

Leeana Taft

From: Leeana Taft
Sent: 10 November 2020 09:26
To: Weinor (order@weinor.de)
Subject: Hazzard


Importance: High

Hi

Please supply two lengths of vertitex zip side channel metal and plastic at 2350mm long as discussed please add to order **202513014 which is to be despatch as soon as possible.** Is this possible to send direct to us in Jersey not to UK address? This should be quicker.

Many thanks

D. CP Cost



Leeana Taft
Director



Tel: (01534) 768141

www.cpinteriors.ie

Rue des Pres Trading Estate, St Saviour, Jersey, JE2 7QN

Blinds | Curtains | Awnings | Shutters | Furnishings | Interior Design | Project Management

Leeana Taft

From: Leeana Taft
Sent: 09 November 2020 12:53
To: Chris Nicholson; Weinor (order@weinor.de)
Cc: Chris Spickett
Subject: Hazzard
Attachments: 202467844_Export (1) Hazzard.pdf

Importance: High

Replacement W50 = Weinor error.

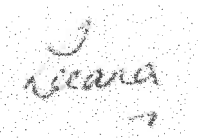
Hi

We have an issue with the size of the fixed W50 / position of centre post – I have highlighted the line on attached confirmation that shows position for centre post but this actual does not match the W50. The size is out by half the post, 57.5, we require unit 782.5 wide.

○ Please can you arrange this urgently

I look forward to hearing from you with confirmation of how quickly you can get this to us.

Many thanks



Leeana Taft
Director



Tel: (01534) 768141

www.cpinteriors.ie

Rue des Pres Trading Estate, St Saviour, Jersey, JE2 7QN

Blinds | Curtains | Awnings | Shutters | Furnishings | Interior Design | Project Management