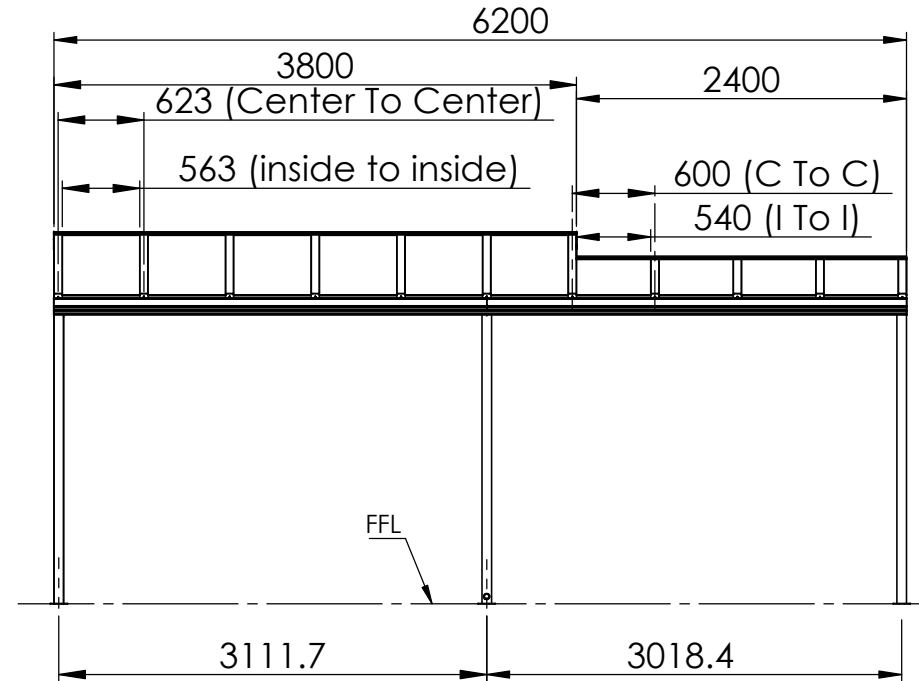
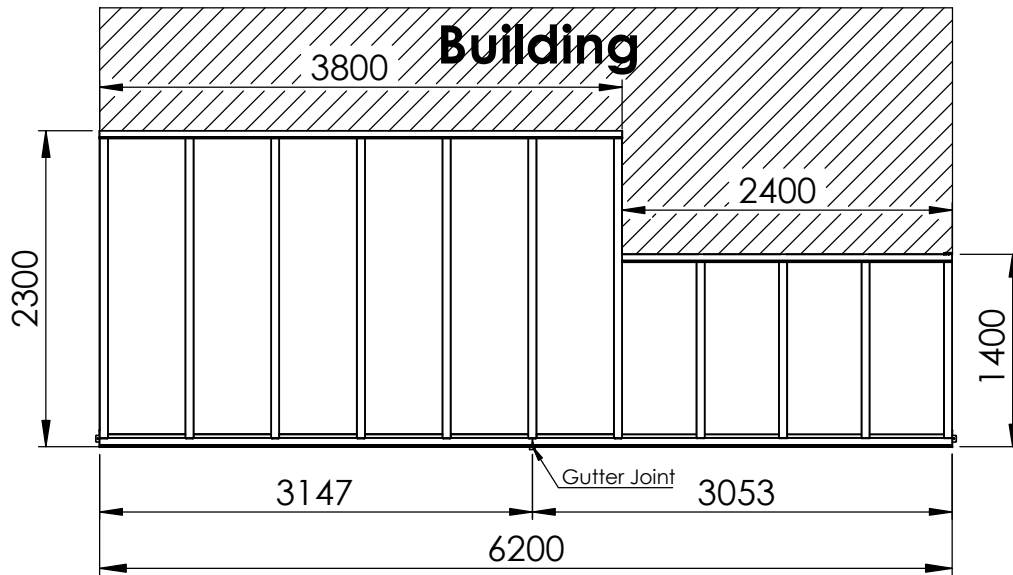
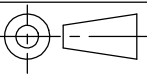


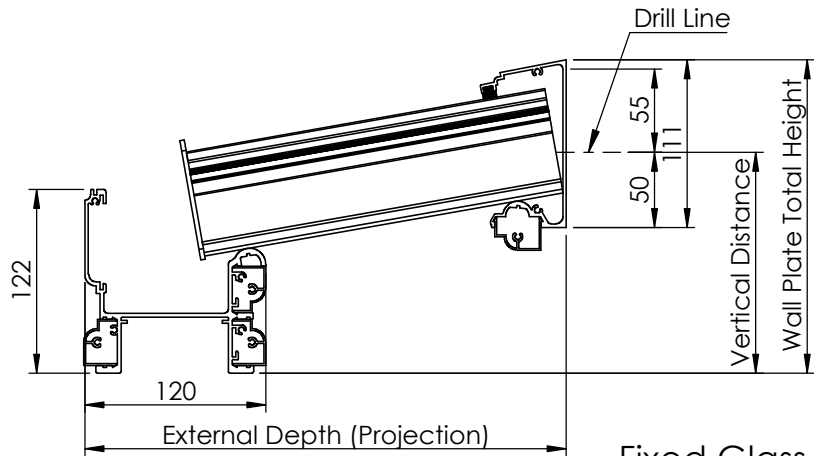
FRONT VIEW & ROOF TOP VIEW WITH BUILDING



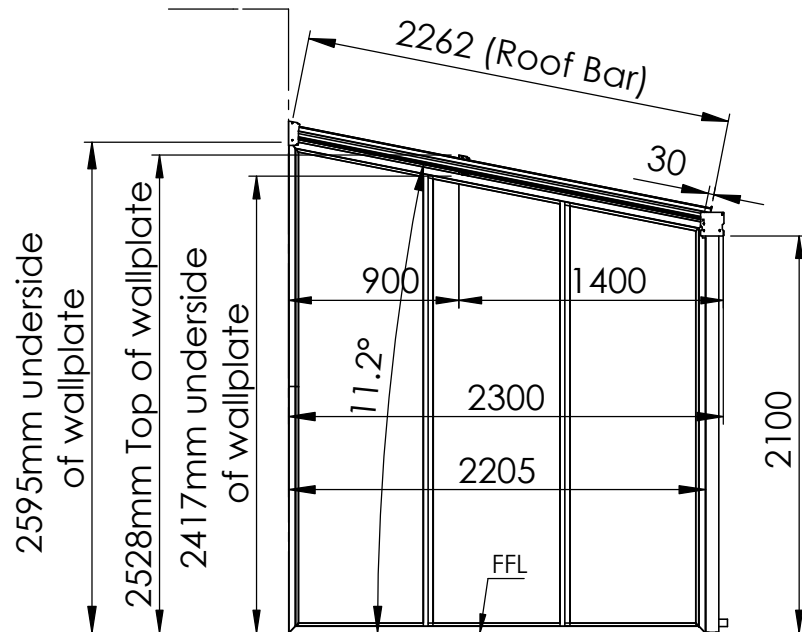
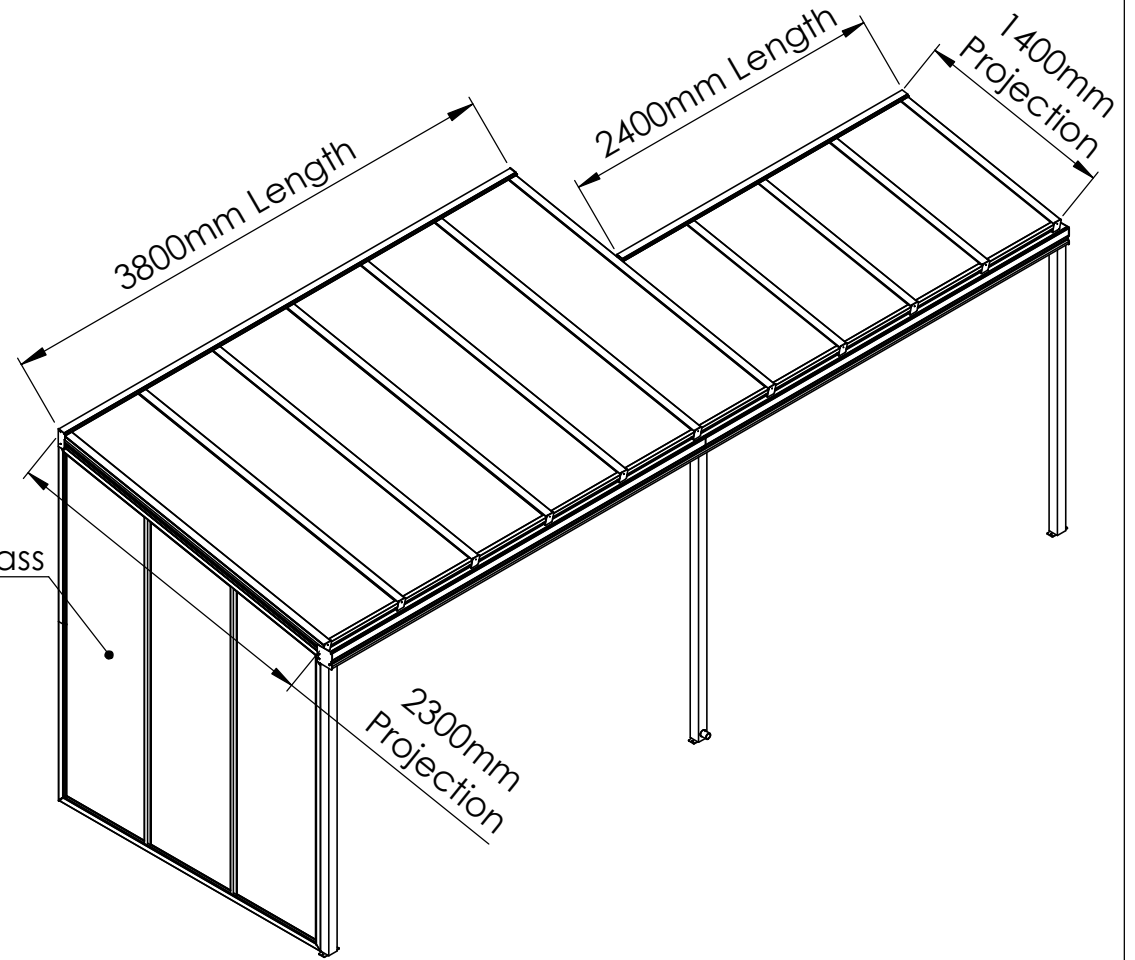
Finish : Powder Coated To 1015 Semi Gloss.
Glass : 6mm Clear Glass Roof Panels.

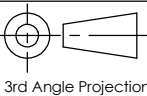
Customer Reference :	Drawing Title :					
Renouf Proposal	CP Interiors					
Customer Sign :	Product Name :					
	Simplicity 6					
		Page	Date	Page Size	Scale	Drawn
	3rd Angle Projection	1 OF 3	16/04/19	A4 (L)	NTS	LS
Order No. :	Finish	Issuer	(Tol) +/- 1 mm	Sequence	Revision	
	PPC	ACS		000001	v1.3	

CROSS SECTION VIEW & ISOMETRIC VIEW



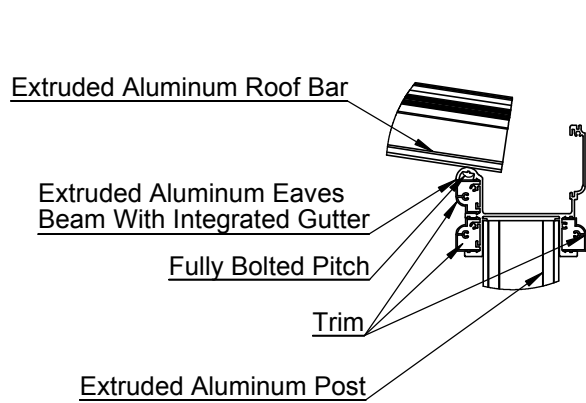
Fixed Glass Panel
Obscured (satin) Glass



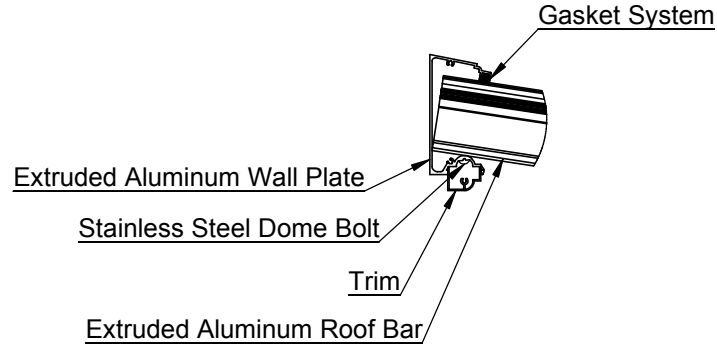
Customer Reference : Renouf Proposal	Drawing Title : CP Interiors					
Customer Sign :	Product Name : Simplicity 6					
Order No. :	 3rd Angle Projection	Page 2 OF 3	Date 16/04/19	Page Size A4 (L)	Scale NTS	Drawn LS
	Finish PPC	Issuer ACS	(Tol) +/- 1 mm	Sequence 000001	Revision v1.3	

PRODUCT DETAIL

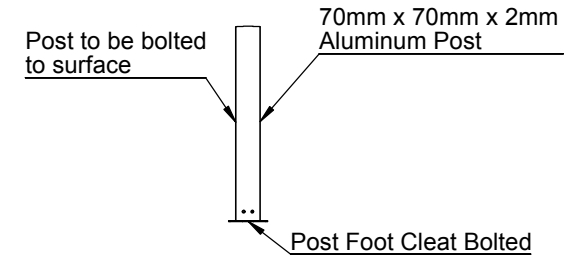
Eaves Beam Roof Bar & Post Section



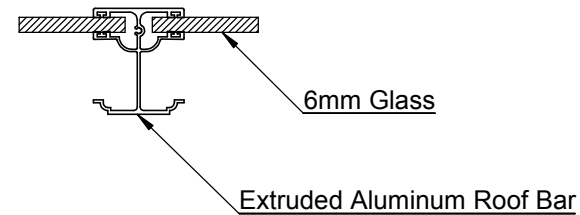
Wall Plate & Roof Bar Section

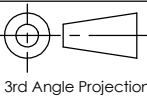


Base & Post Connection Information



Roof Bar & Sheet Section



Customer Reference : Renouf Proposal	Drawing Title : CP Interiors					
	Product Name : Simplicity 6					
Customer Sign :	 3rd Angle Projection	Page 3 OF 3	Date 16/04/19	Page Size A4 (L)	Scale NTS	Drawn LS
Order No. :	Finish PPC	Issuer ACS	(Tol) +/- 1 mm	Sequence 000001	Revision v1.3	